



US00D820401S

(12) **United States Design Patent**
Zeng

(10) **Patent No.:** **US D820,401 S**
(45) **Date of Patent:** **** Jun. 12, 2018**

(54) **FAUCET**

D757,905 S * 5/2016 Rexach D23/238
D786,404 S * 5/2017 Kaule D23/238
D802,720 S * 11/2017 Haug D23/238

(71) Applicant: **Foshan Shunde Yajiasi Kitchen Cabinet Co., Ltd.**, Foshan, Guangdong Province (CN)

* cited by examiner

(72) Inventor: **Deju Zeng**, Foshan (CN)

Primary Examiner — Robert A Delehanty
(74) *Attorney, Agent, or Firm* — Novoclaims Patent Services LLC; Mei Lin Wong

(**) Term: **15 Years**

(57) **CLAIM**

(21) Appl. No.: **29/605,618**

The ornamental design of a faucet, as shown and described.

(22) Filed: **May 26, 2017**

DESCRIPTION

(51) **LOC (11) Cl.** **23-01**

FIG. 1 is a perspective view of a faucet, showing my new design.

(52) **U.S. Cl.** **D23/238**
USPC **D23/238**

FIG. 2 is a second perspective view thereof.

(58) **Field of Classification Search**
CPC Y10T 137/9464
See application file for complete search history.

FIG. 3 is a front elevational view thereof.

FIG. 4 is a rear elevational view thereof.

FIG. 5 is a left side elevational view thereof.

FIG. 6 is a right side elevational view thereof.

FIG. 7 is a top plan view thereof; and,

FIG. 8 is a bottom plan view thereof.

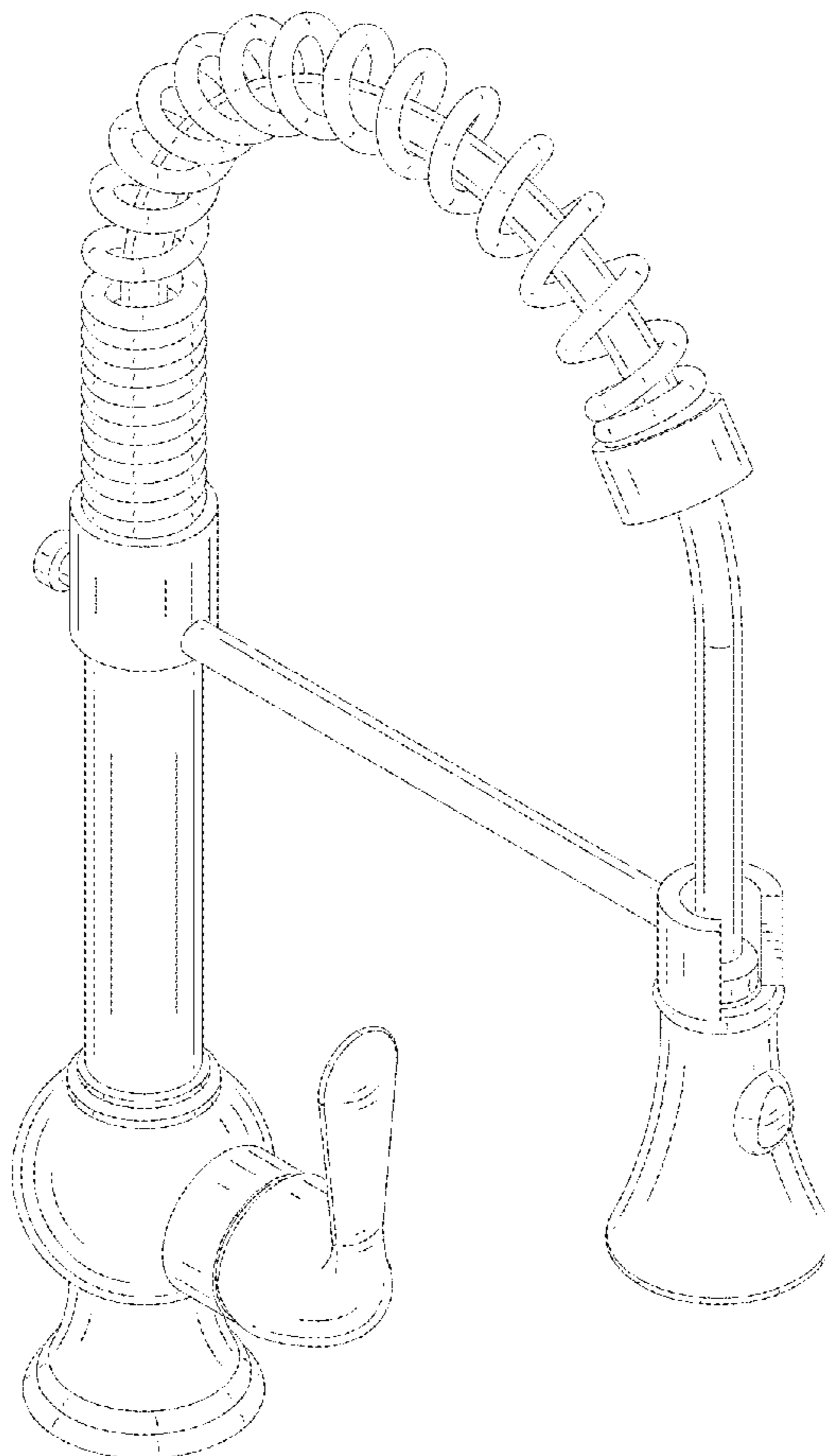
The broken lines in the drawings represent unclaimed subject matter and form no part of the claim.

(56) **References Cited**

U.S. PATENT DOCUMENTS

D557,380 S * 12/2007 Shieh D23/238
D577,107 S * 9/2008 Gilbert D23/252

1 Claim, 8 Drawing Sheets



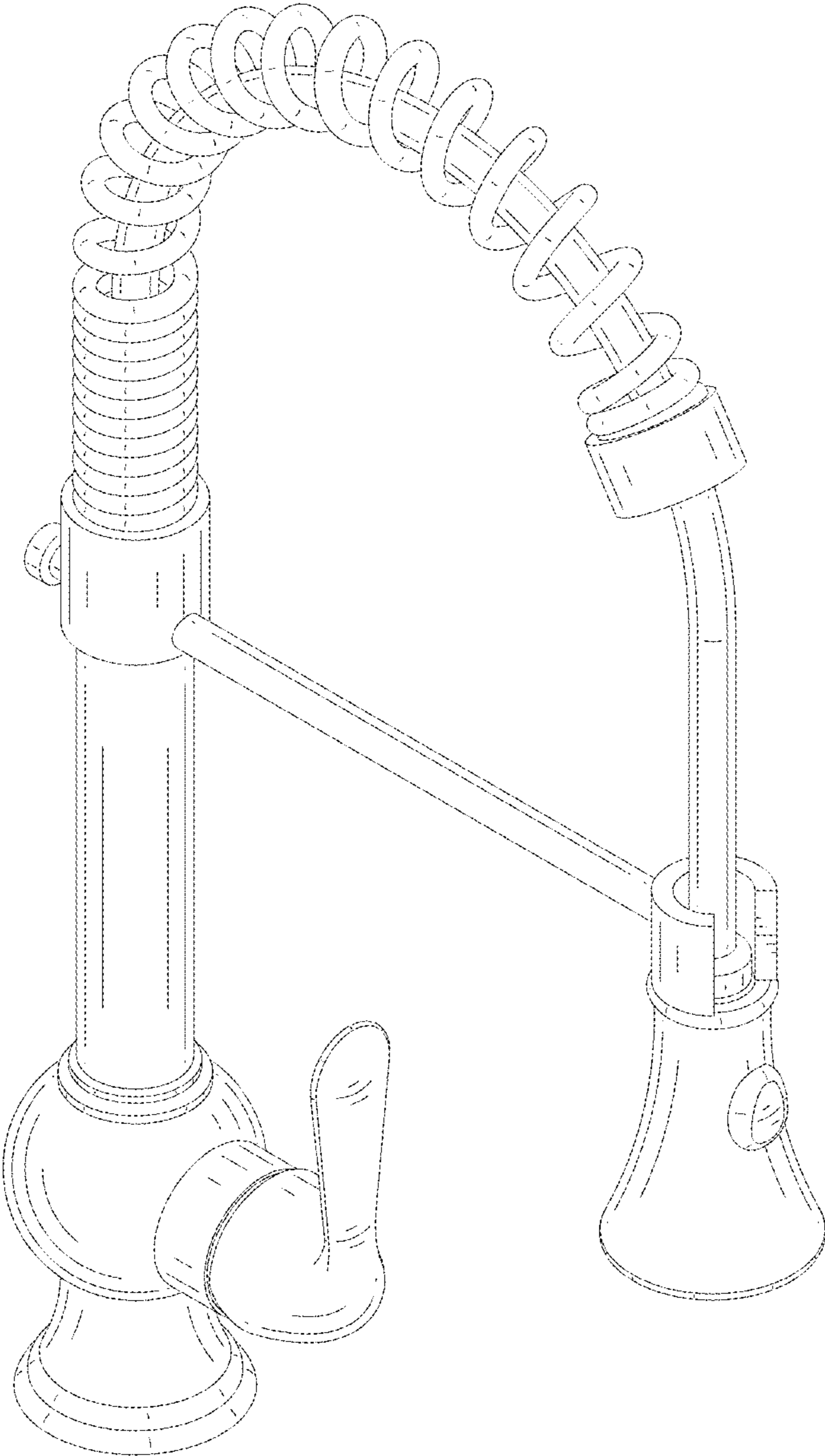


FIG.1

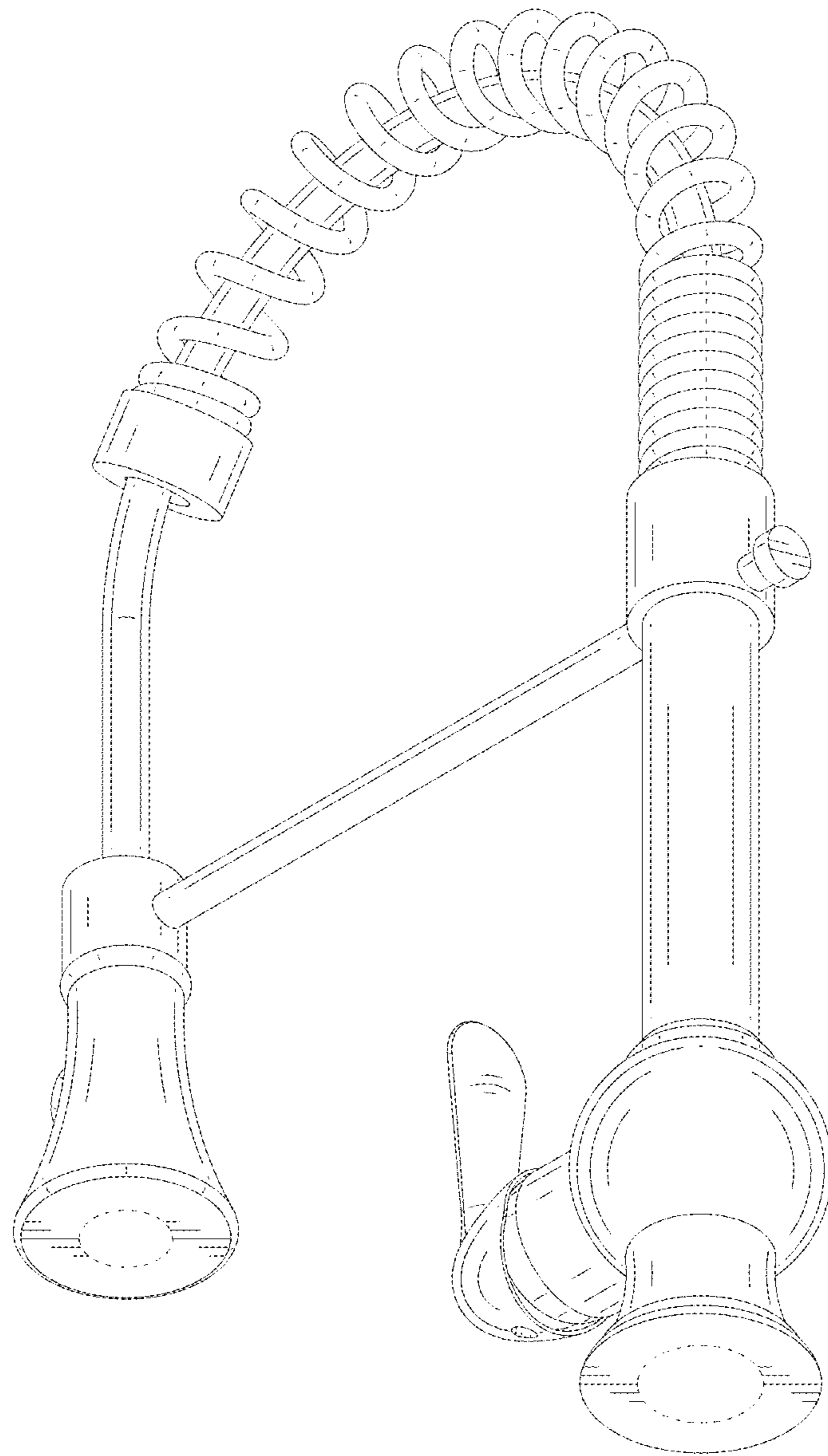


FIG.2

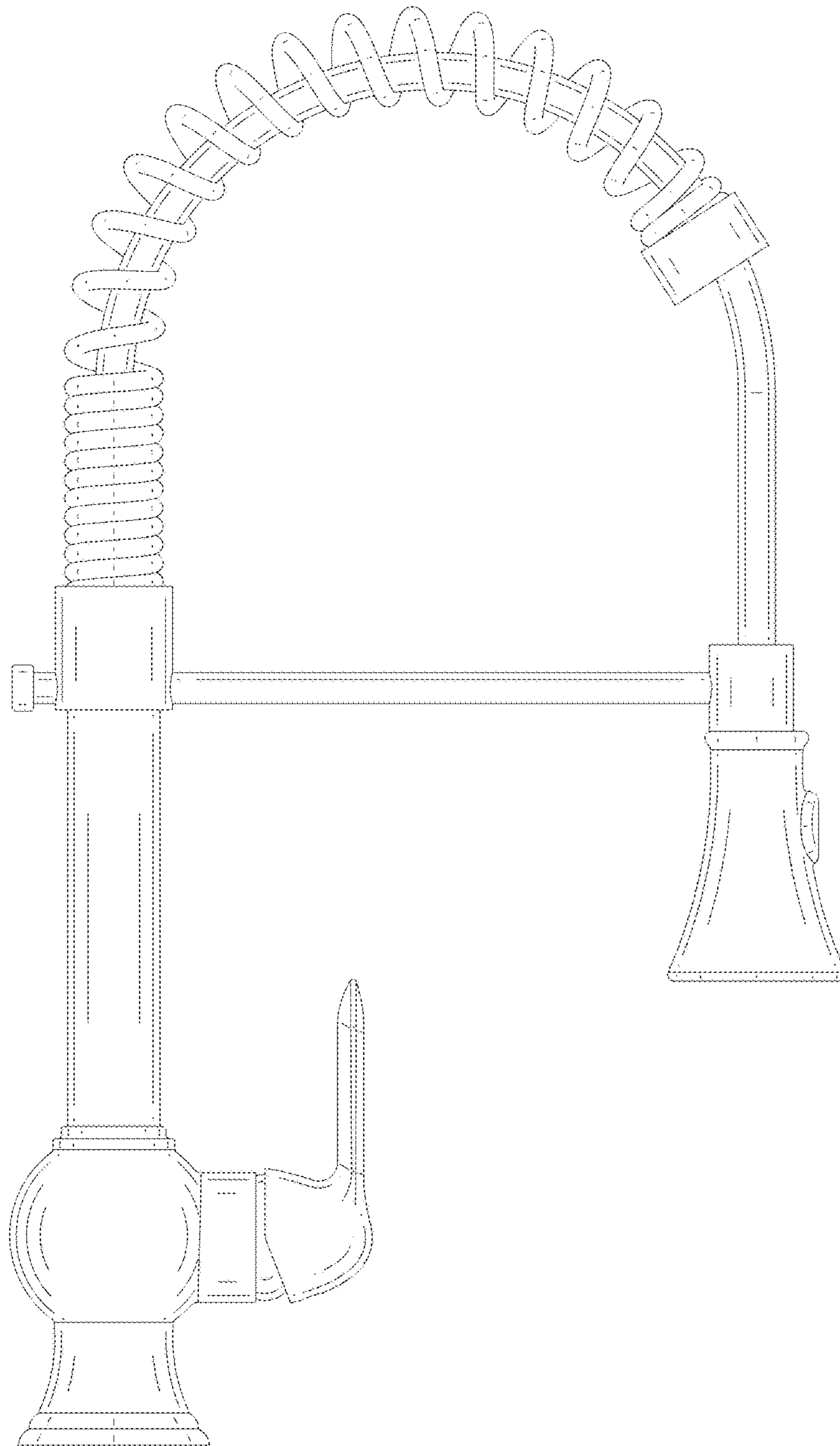


FIG.3

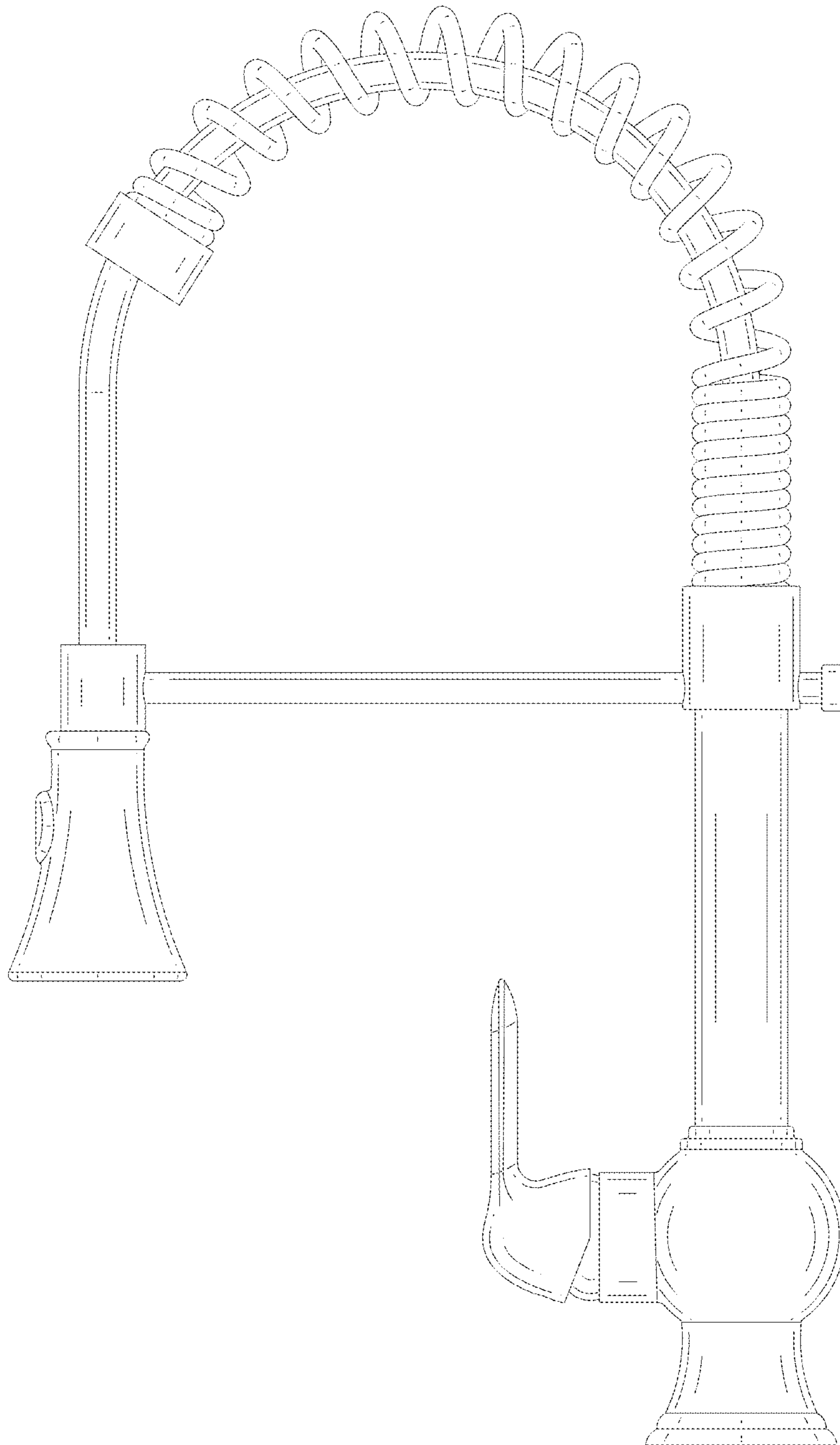


FIG. 4

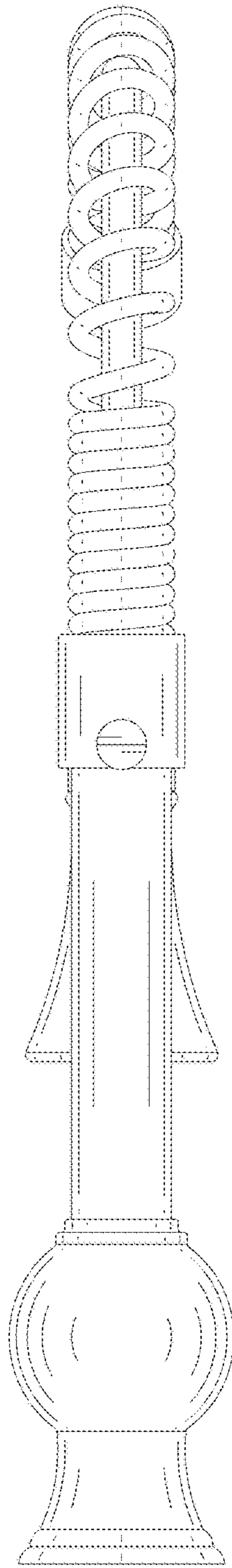


FIG.5

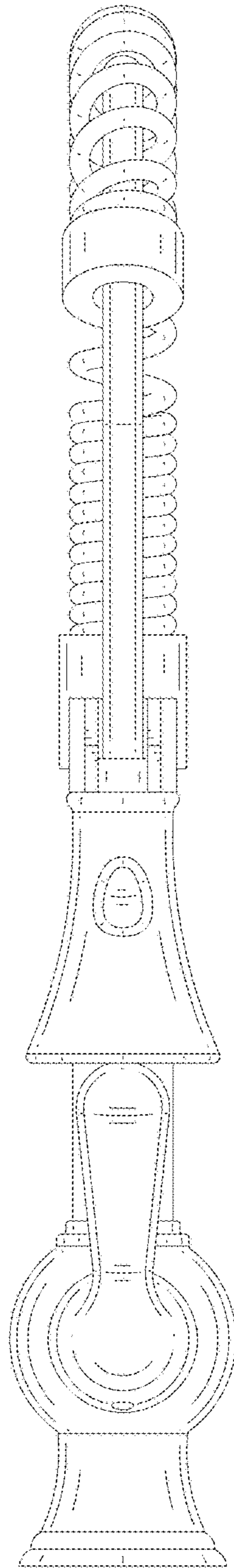


FIG.6

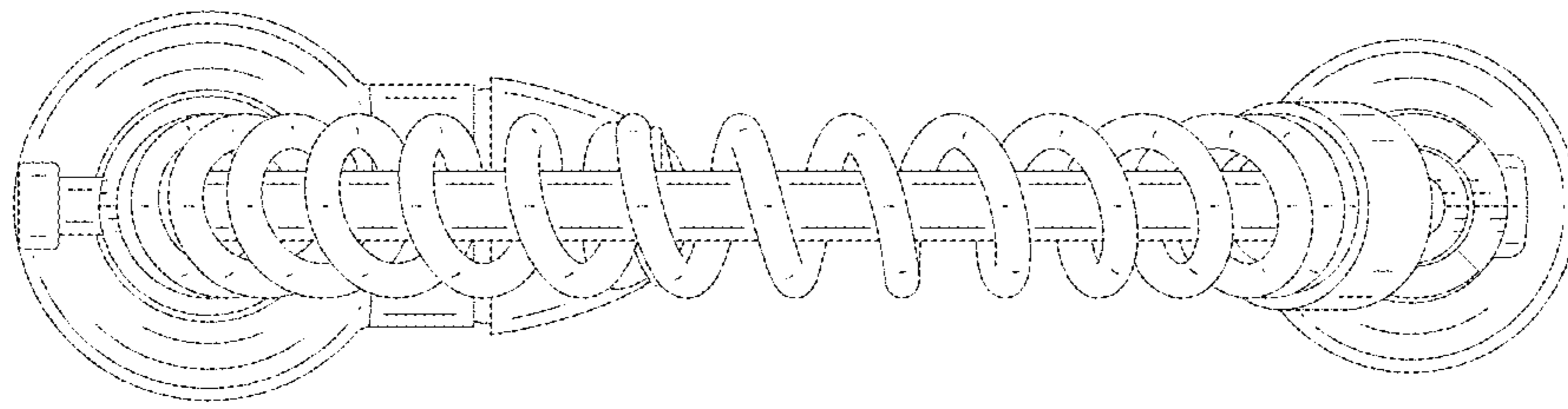


FIG. 7

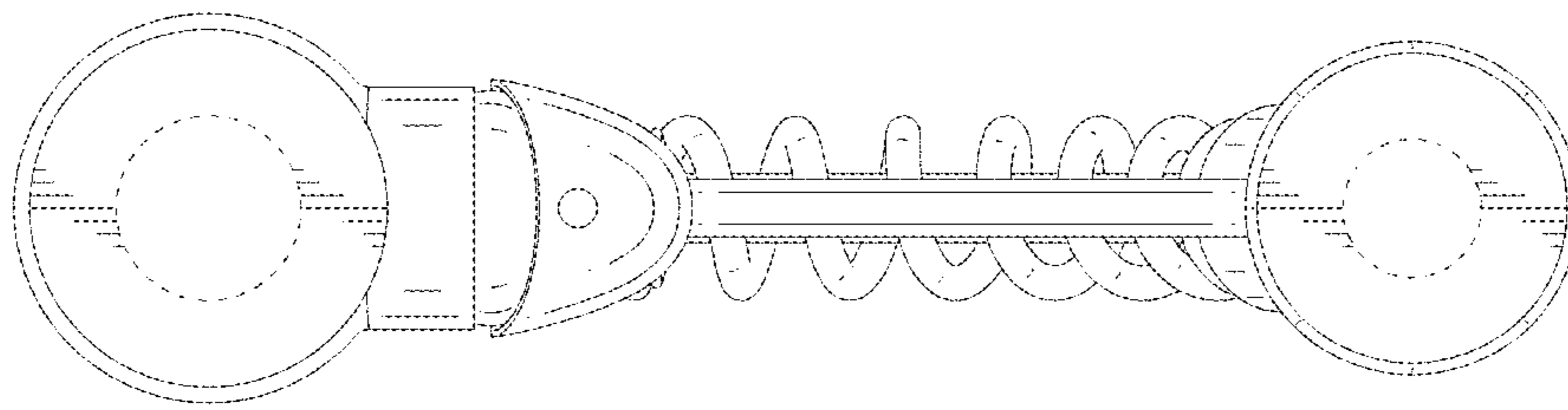


FIG.8