



US00D820400S

(12) **United States Design Patent**
Eads

(10) **Patent No.:** **US D820,400 S**
(45) **Date of Patent:** **** Jun. 12, 2018**

(54) **FAUCET**

CPC Y10T 137/9464
See application file for complete search history.

(71) Applicant: **DELTA FAUCET COMPANY,**
Indianapolis, IN (US)

(56) **References Cited**

(72) Inventor: **Thad Eads,** North Manchester, IN (US)

U.S. PATENT DOCUMENTS

(73) Assignee: **DELTA FAUCET COMPANY,**
Indianapolis, IN (US)

D553,714 S * 10/2007 Demmer D23/238
D639,394 S * 6/2011 Citterio D23/238
D769,418 S * 10/2016 Eads D23/238

(**) Term: **15 Years**

* cited by examiner

(21) Appl. No.: **29/605,505**

Primary Examiner — Robert A Delehanty
(74) *Attorney, Agent, or Firm* — Edgar A. Zarins; Nirav D. Parikh

(22) Filed: **May 26, 2017**

(57) **CLAIM**

The ornamental design for a faucet, as shown and described.

(51) **LOC (11) Cl.** **23-01**

DESCRIPTION

(52) **U.S. Cl.**

USPC **D23/238**

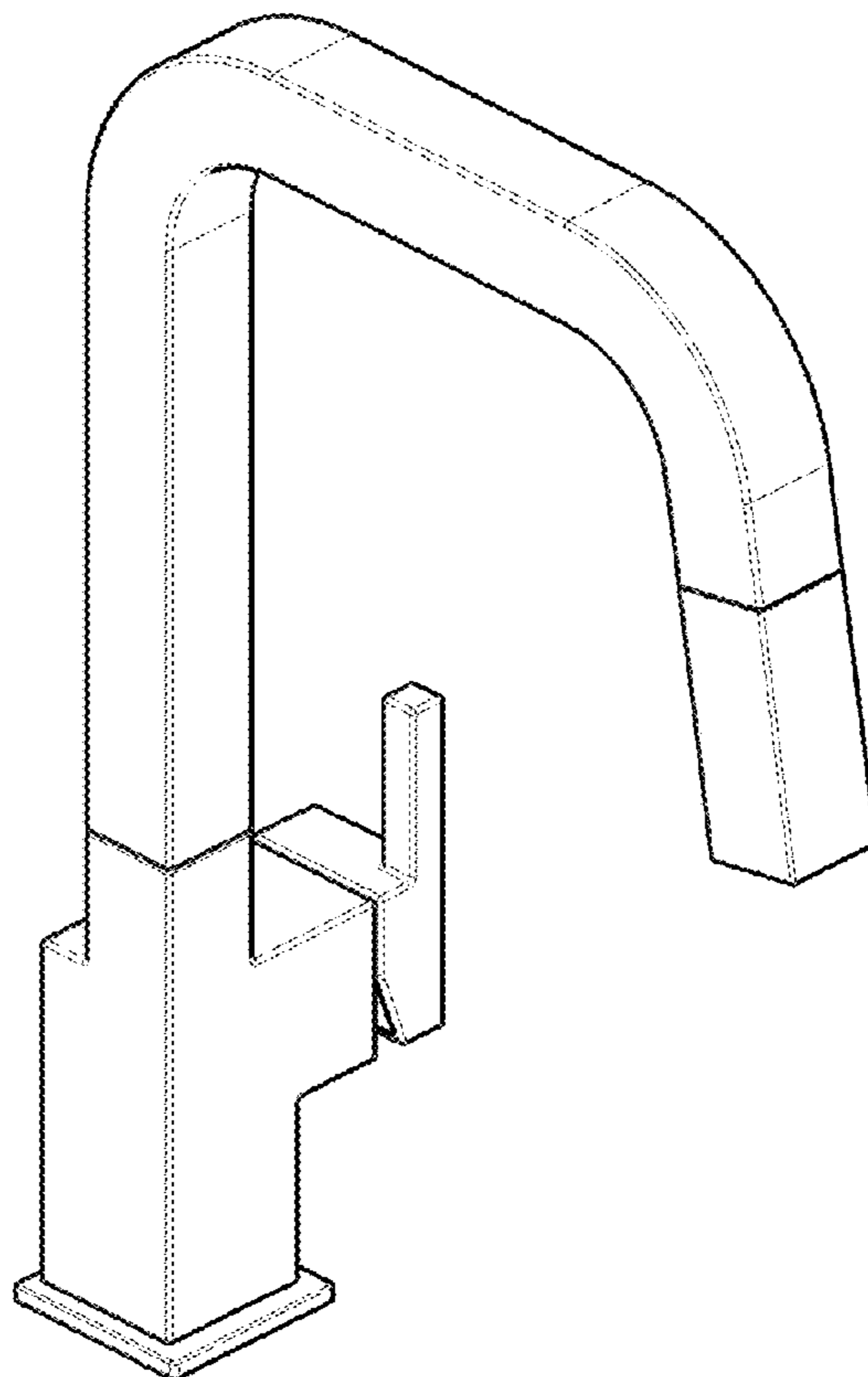
(58) **Field of Classification Search**

USPC D23/238-243, 249-250, 252, 254-255,

D23/257; D08/307-308

FIG. 1 is a front perspective view of a faucet showing my new design;
FIG. 2 is a rear perspective view thereof;
FIG. 3 is a front elevational view thereof;
FIG. 4 is a left side view thereof;
FIG. 5 is a rear view thereof;
FIG. 6 is a right side view thereof;
FIG. 7 is a bottom view thereof; and,
FIG. 8 is a top view thereof.

1 Claim, 4 Drawing Sheets



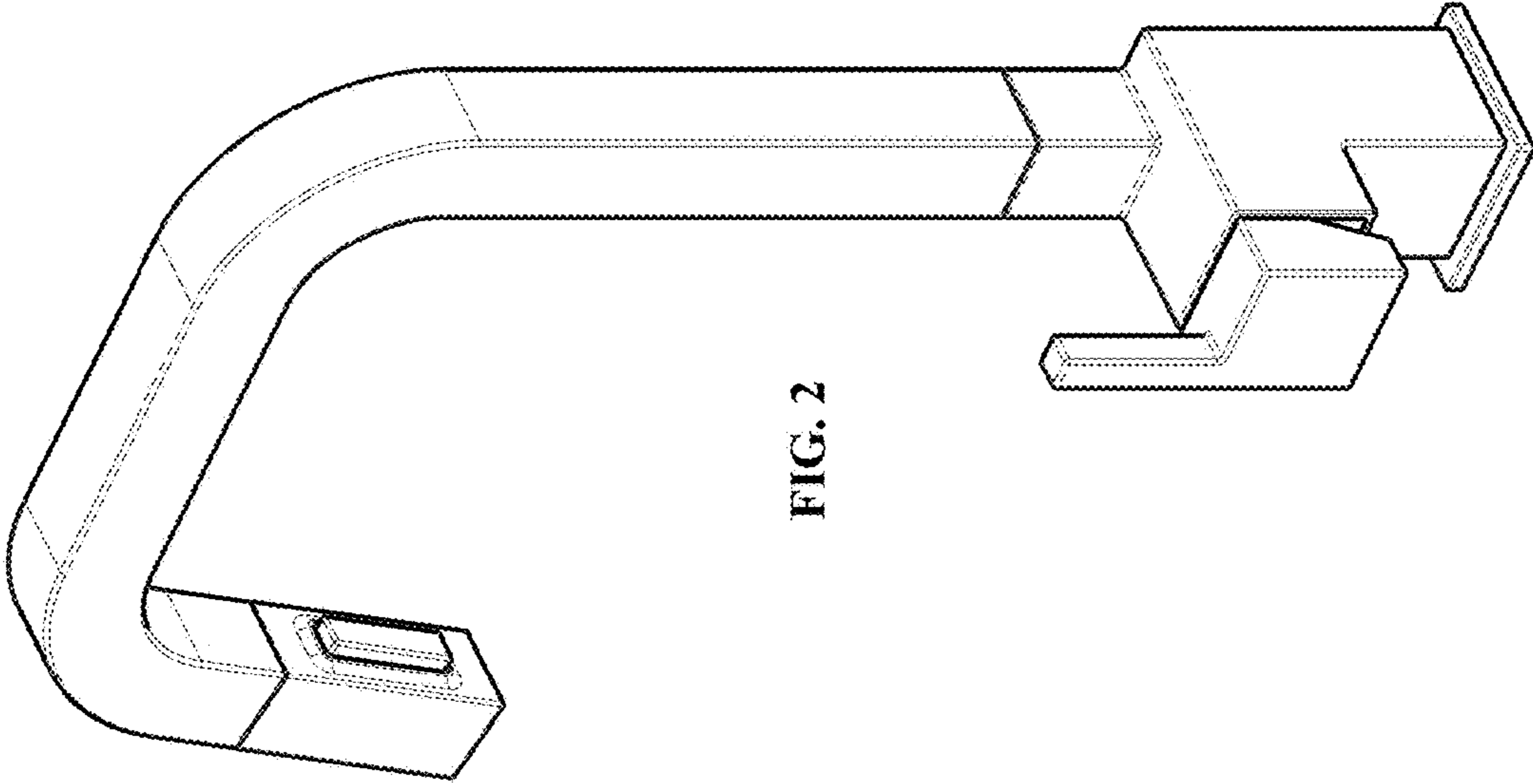


FIG. 2

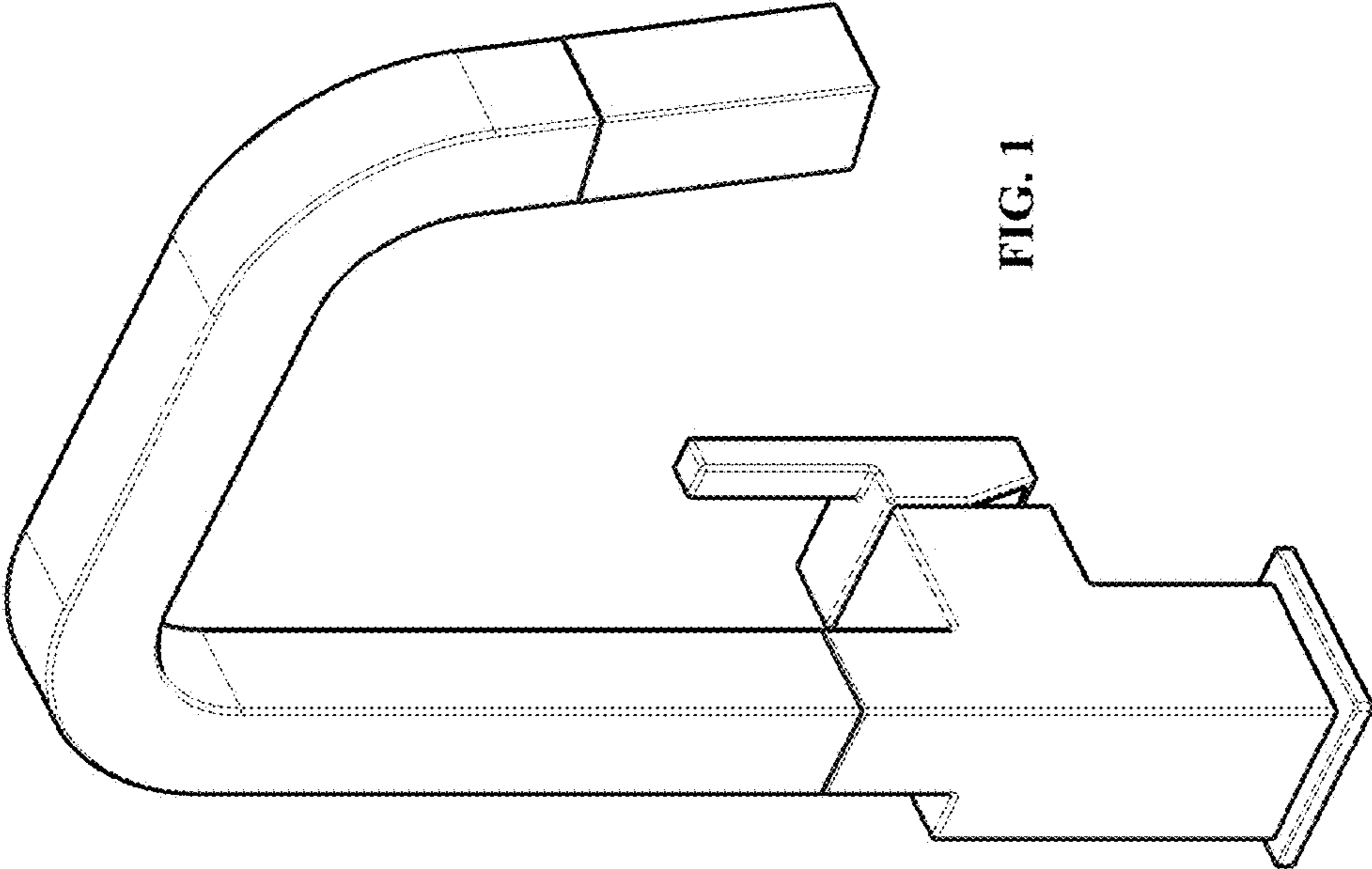


FIG. 1

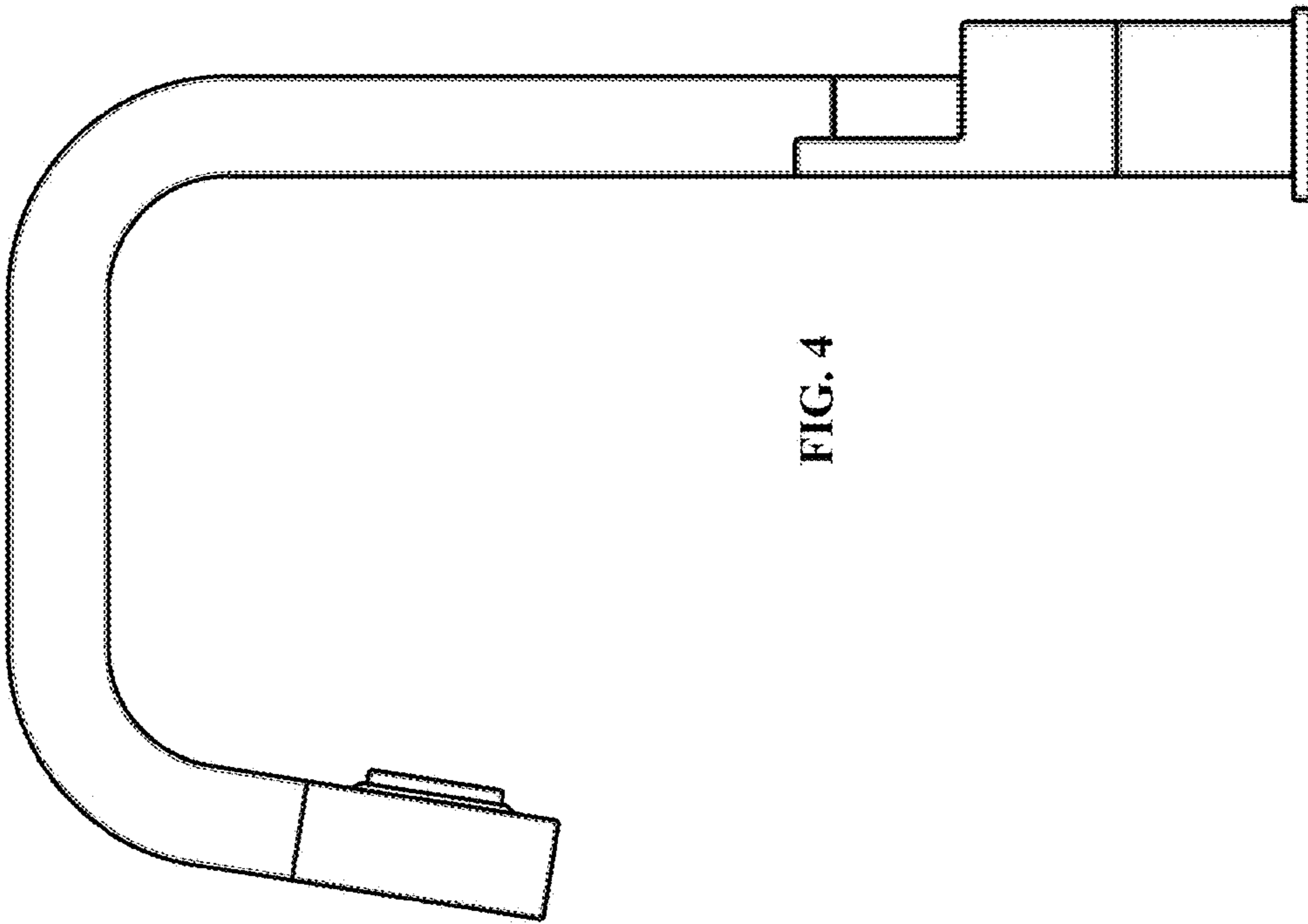


FIG. 4

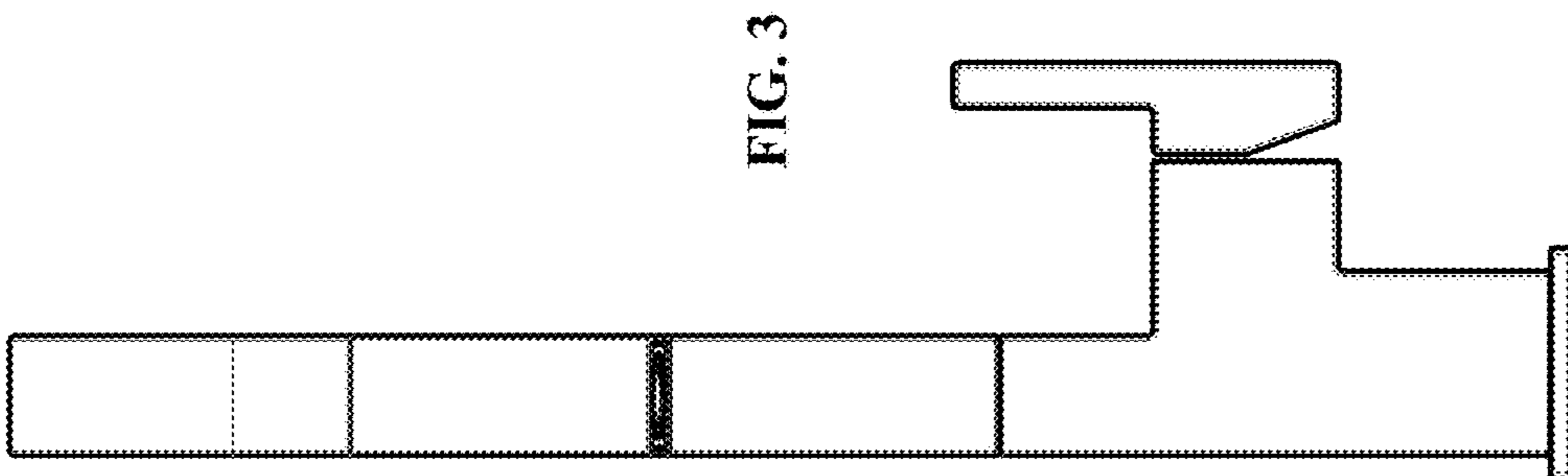


FIG. 3

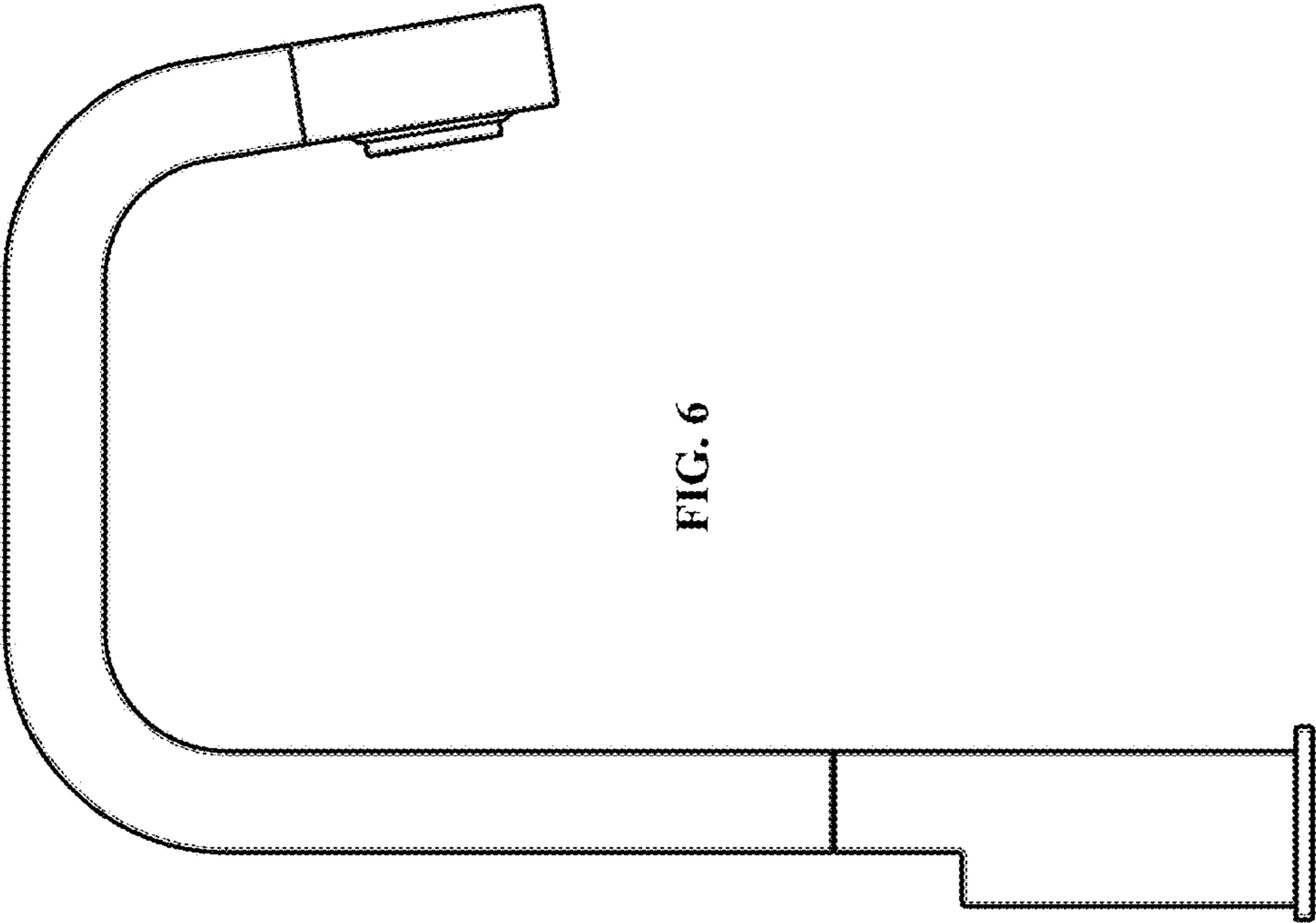


FIG. 6

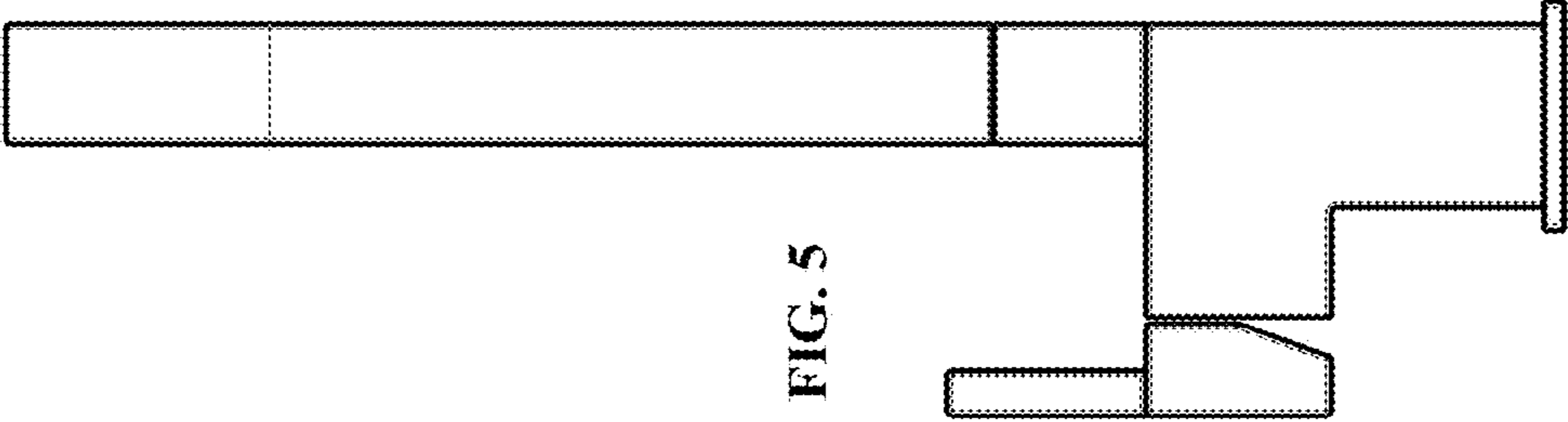


FIG. 5

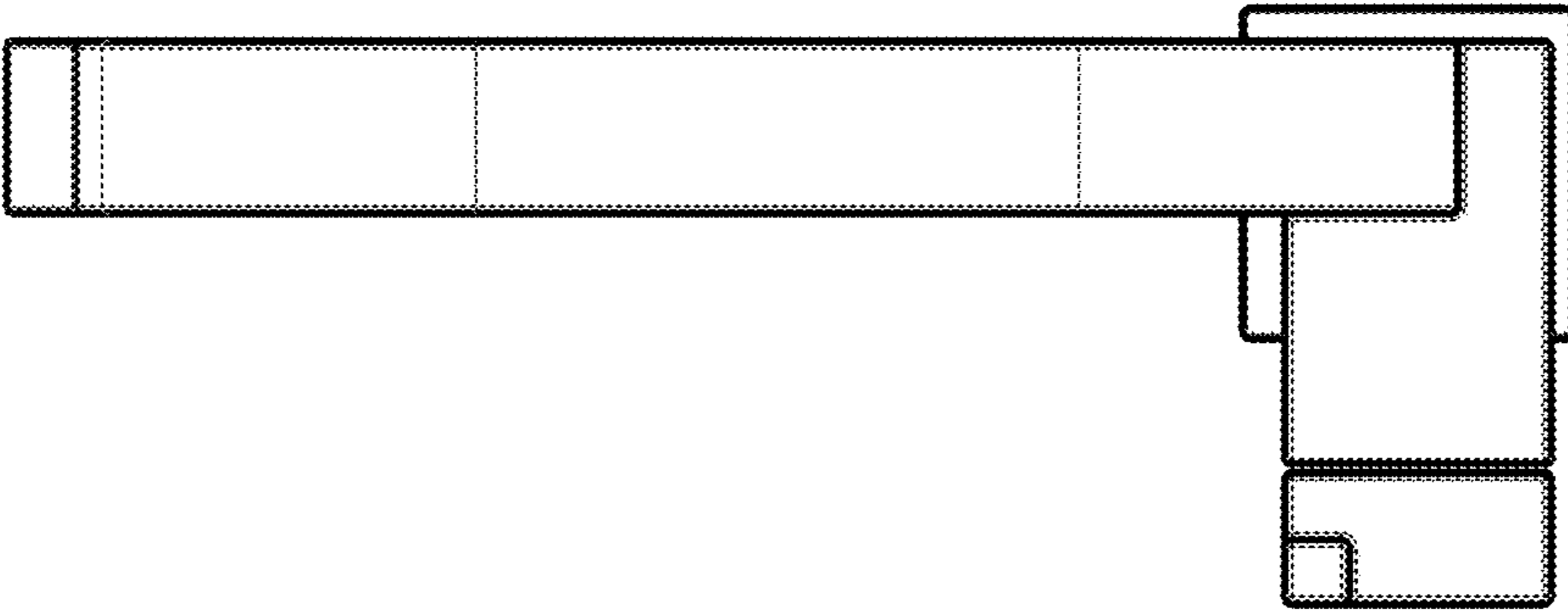


FIG. 8

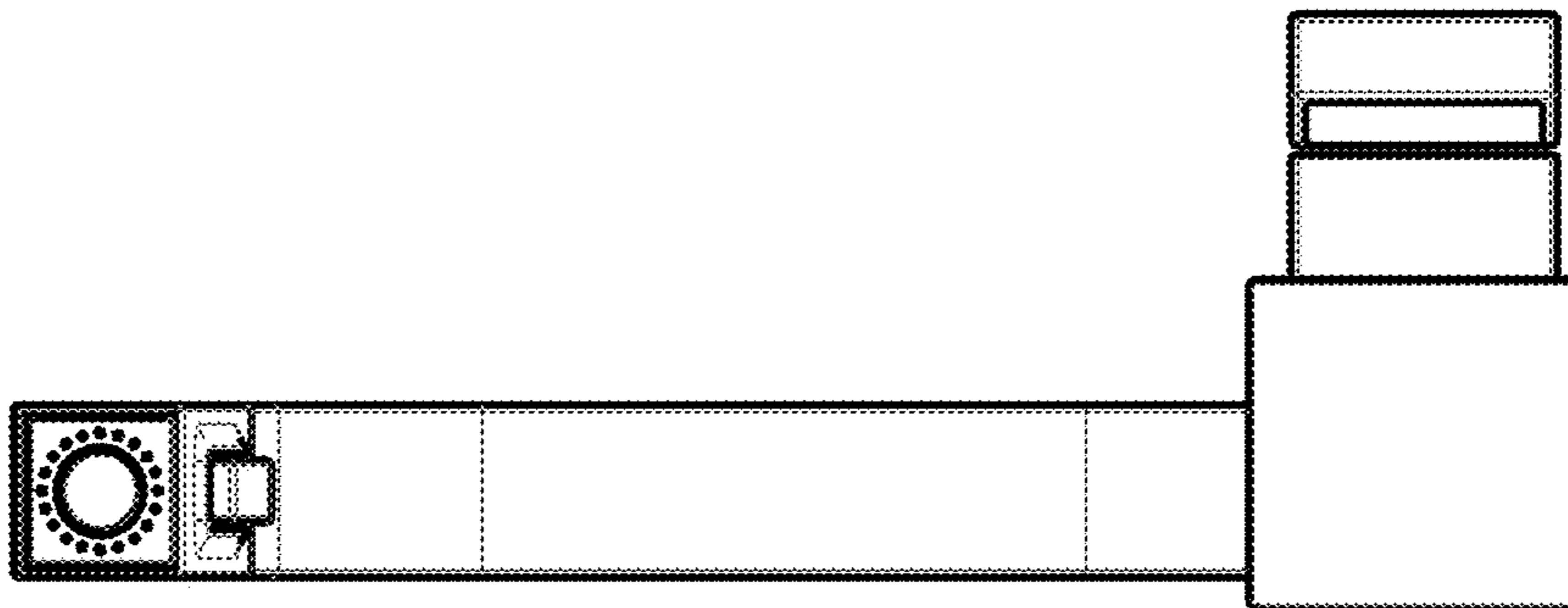


FIG. 7