



US00D820396S

(12) **United States Design Patent** (10) **Patent No.:** **US D820,396 S**
Armstrong (45) **Date of Patent:** **** Jun. 12, 2018**

(54) **ATMOSPHERIC VENT CAN**

(71) Applicant: **Gary Don Armstrong**, Loomis, CA (US)

(72) Inventor: **Gary Don Armstrong**, Loomis, CA (US)

(**) Term: **15 Years**

(21) Appl. No.: **29/607,916**

(22) Filed: **Jun. 16, 2017**

(51) **LOC (11) Cl.** **23-01**

(52) **U.S. Cl.**
USPC **D23/235**

(58) **Field of Classification Search**
USPC D23/233, 235, 237, 249; 137/526, 488, 137/588, 12, 15.18, 537, 590, 511, 409, 137/202; D15/1, 5; 220/746, 745; 123/196 R, 516; 251/62
CPC F16K 24/04; F16K 24/06
See application file for complete search history.

2015/0047716 A1* 2/2015 Muir F16L 55/07 137/202
 2016/0003366 A1* 1/2016 Smith B05B 9/04 137/12
 2016/0250919 A1* 9/2016 Bae B60K 15/03519 137/202

OTHER PUBLICATIONS

Atmospheric Vent Can. "ARE New Atmospheric Vent Can". www.drysump.com. Web Jan. 10, 2018 shown in p. 1. Part #7100A (Year: 2018).*

* cited by examiner

Primary Examiner — Cynthia Ramirez
Assistant Examiner — Gino Colan
 (74) *Attorney, Agent, or Firm* — QuickPatents, LLC; Kevin Prince

(57) **CLAIM**

I claim the ornamental design for an atmospheric vent can, as shown and described.

DESCRIPTION

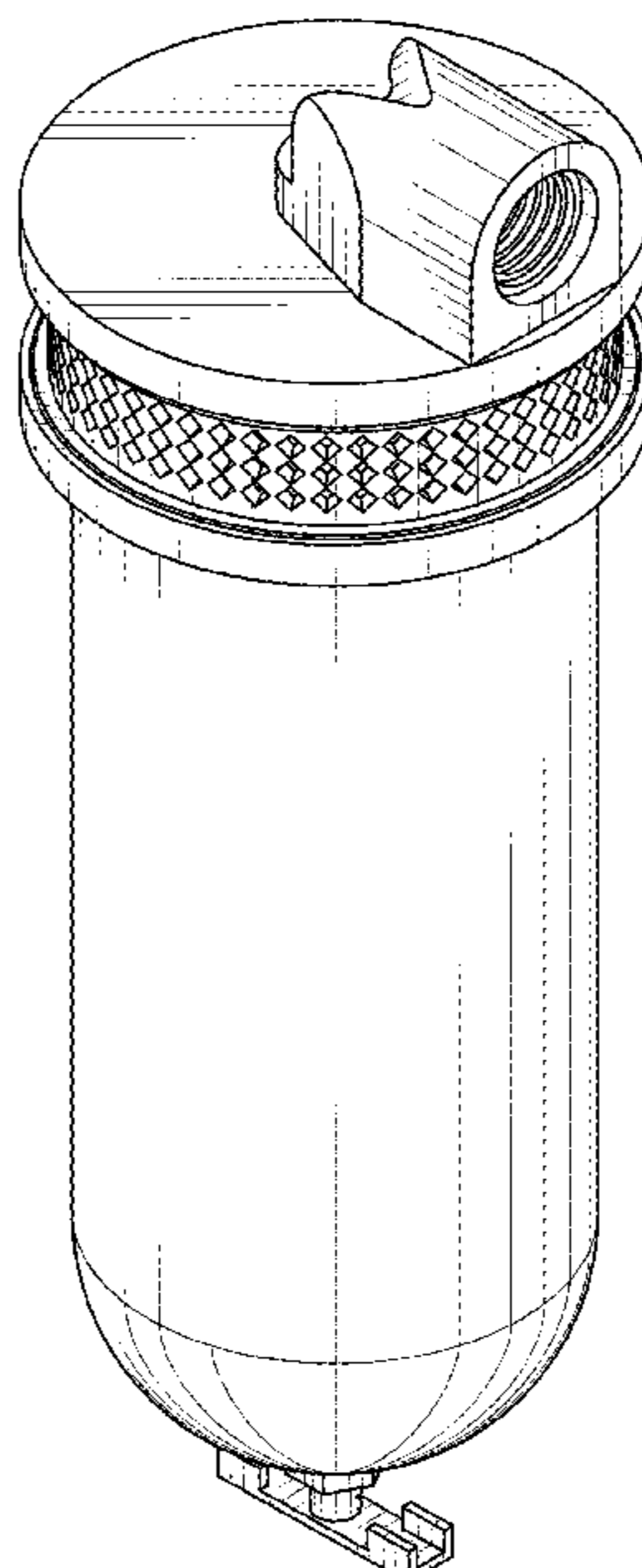
FIG. 1 is a perspective view of an atmospheric vent can, showing my new design;
 FIG. 2 is another perspective view thereof;
 FIG. 3 is a front elevational view thereof, the rear elevational view being a mirror image thereof;
 FIG. 4 is a left-side elevational view thereof;
 FIG. 5 is a right-side elevational view thereof;
 FIG. 6 is a top plan view thereof; and,
 FIG. 7 is a bottom plan view thereof.
 The broken lines shown in the figures are included for the purpose of illustrating portions of the atmospheric vent can and form no part of the claimed design.

1 Claim, 6 Drawing Sheets

(56) **References Cited**

U.S. PATENT DOCUMENTS

4,237,928 A * 12/1980 Messersmith B65D 88/54 137/590
 D721,788 S * 1/2015 Pifer D23/233
 2006/0124099 A1* 6/2006 Richards F01M 11/00 123/196 R
 2008/0121217 A1* 5/2008 Guterres F02M 37/0017 123/516
 2009/0211552 A1* 8/2009 Prior F01M 1/12 123/196 R
 2011/0278482 A1* 11/2011 Suehiro F16K 17/36 251/62



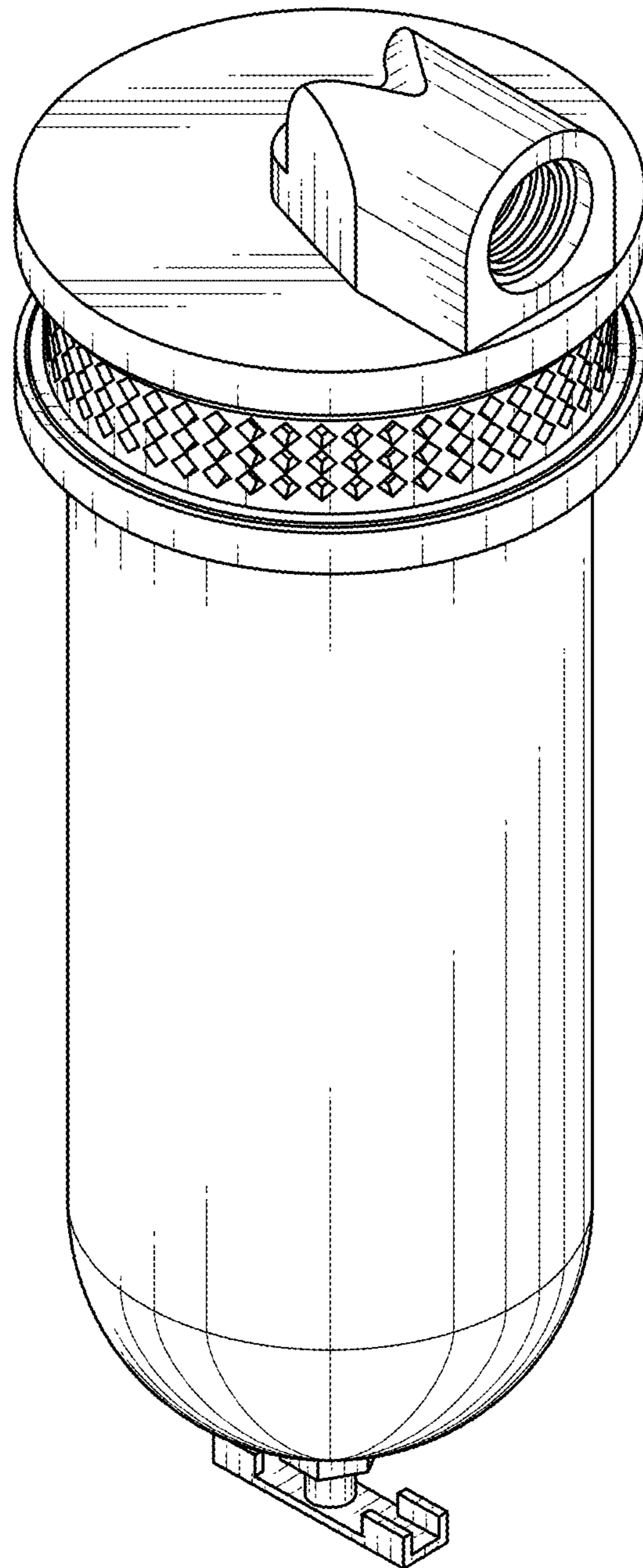


FIG. 1

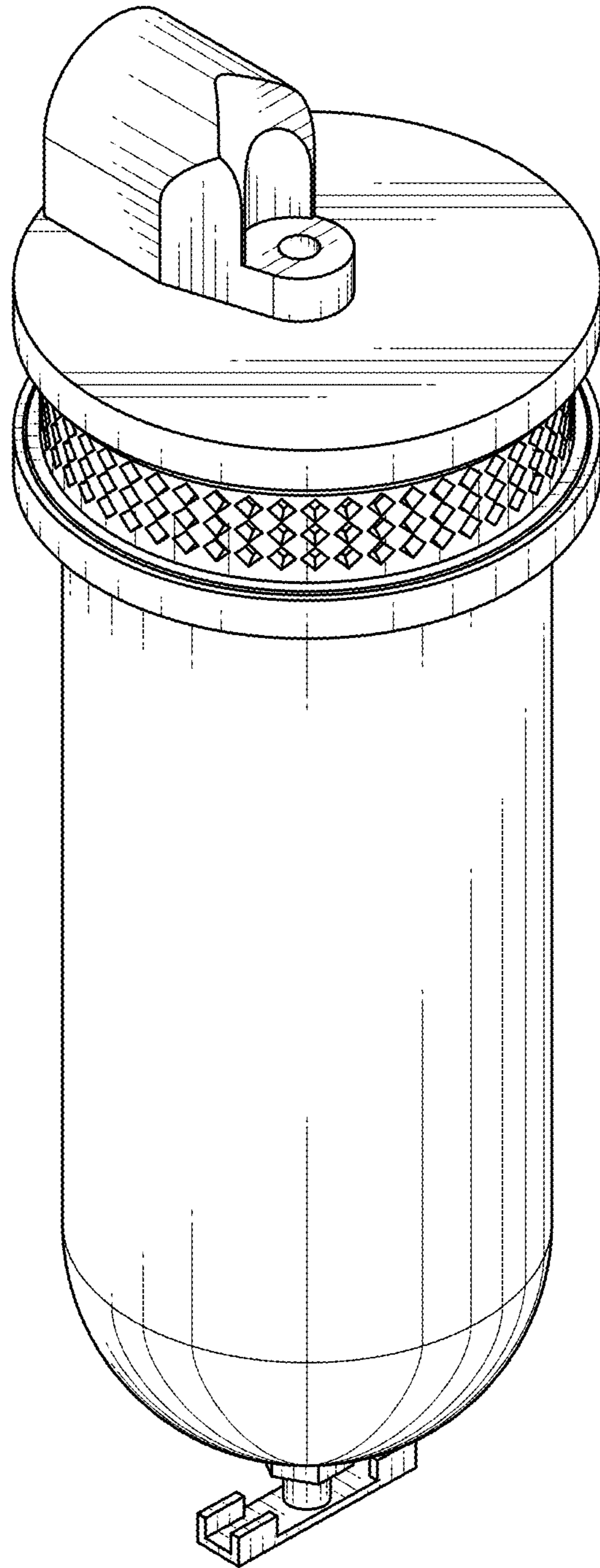


FIG. 2

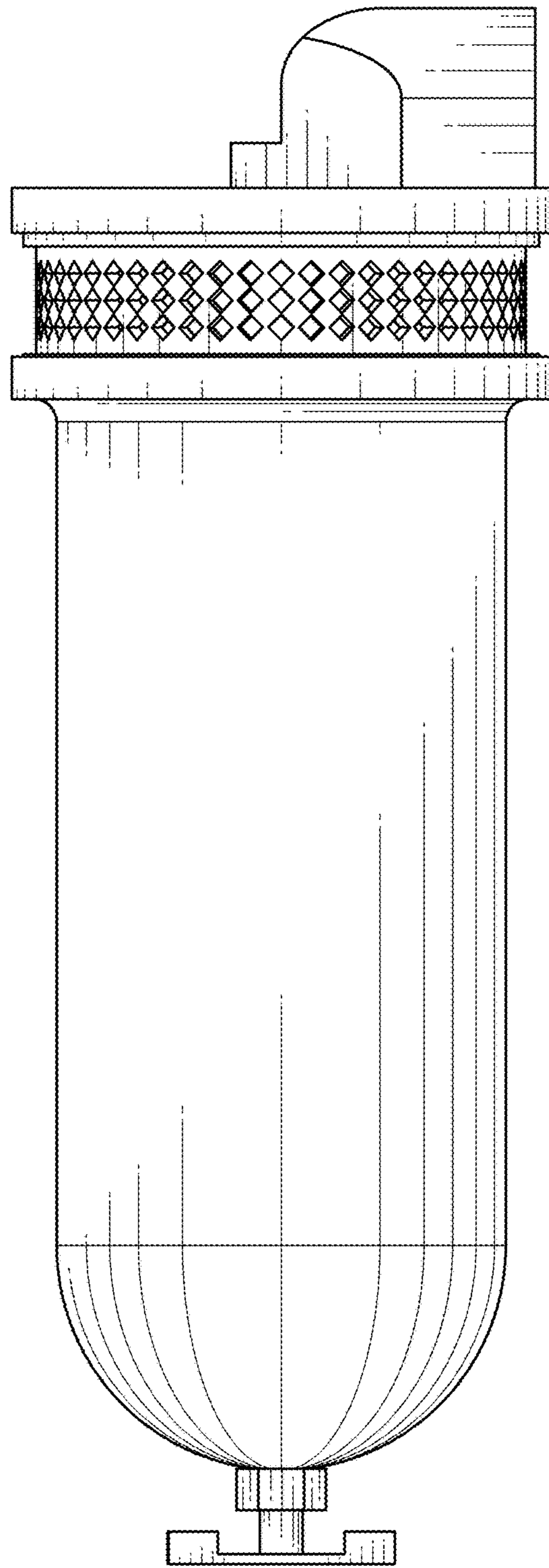


FIG. 3

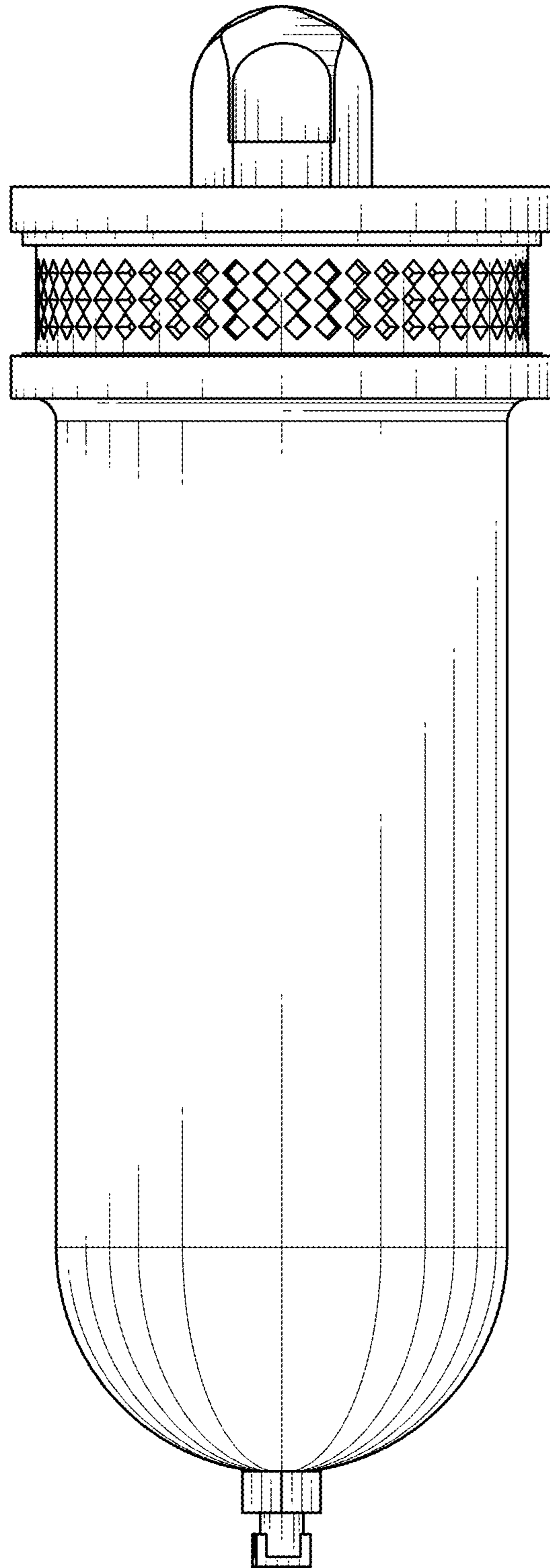


FIG. 4

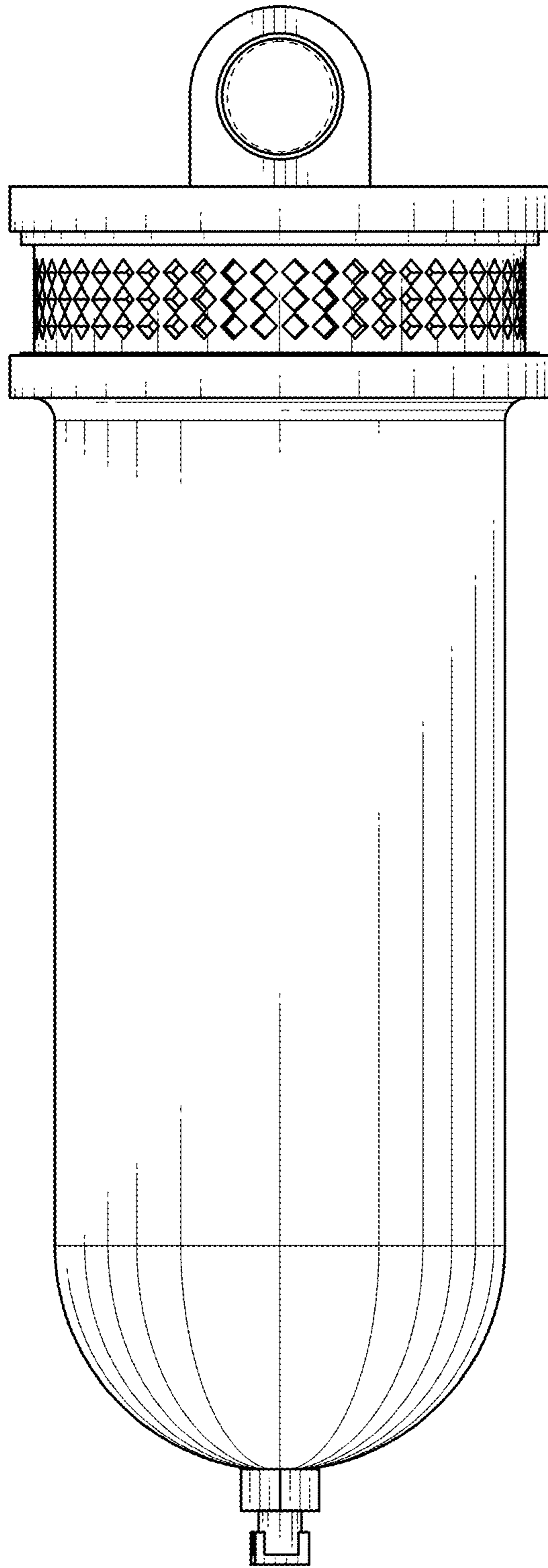


FIG. 5

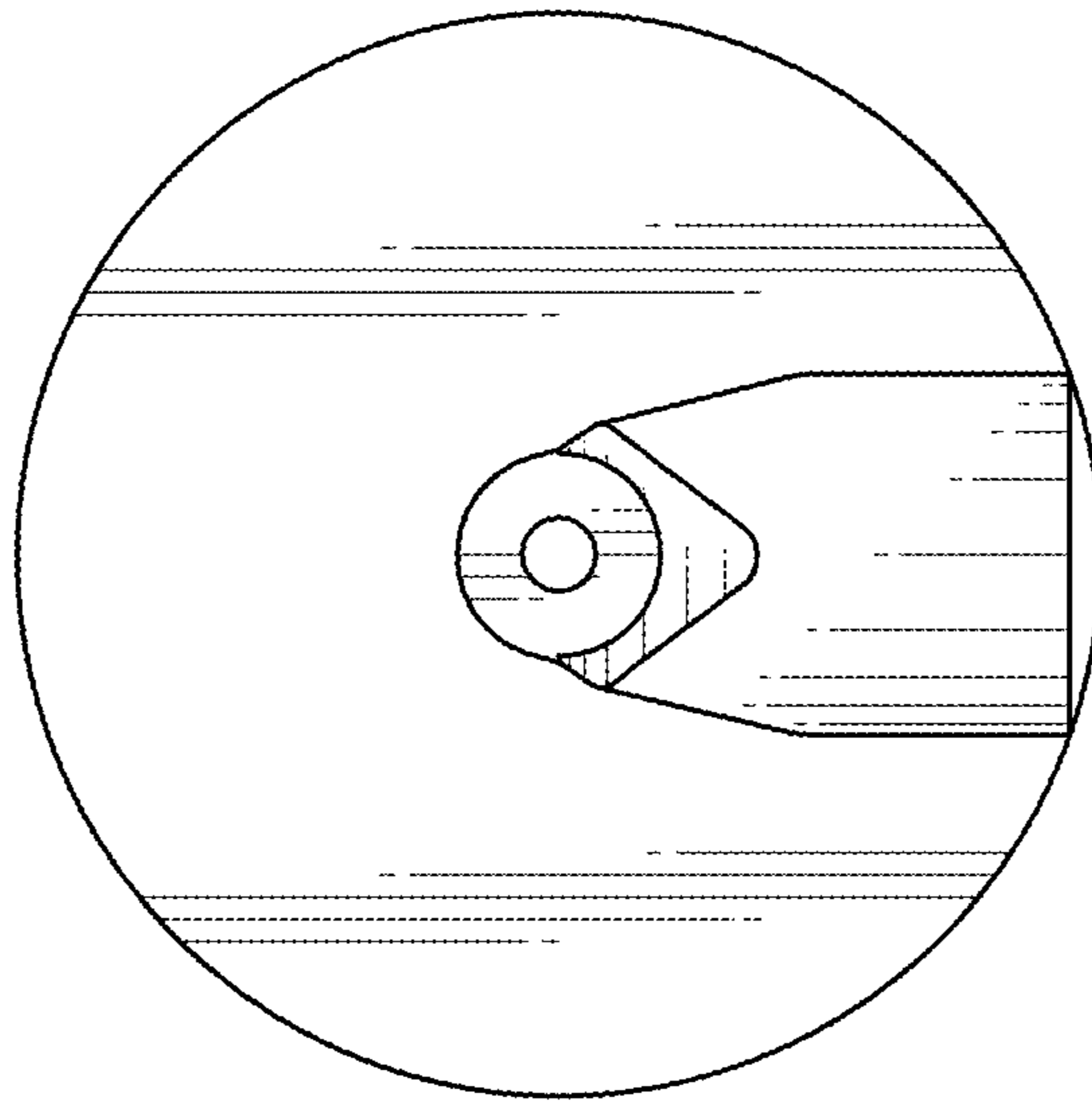


FIG. 6

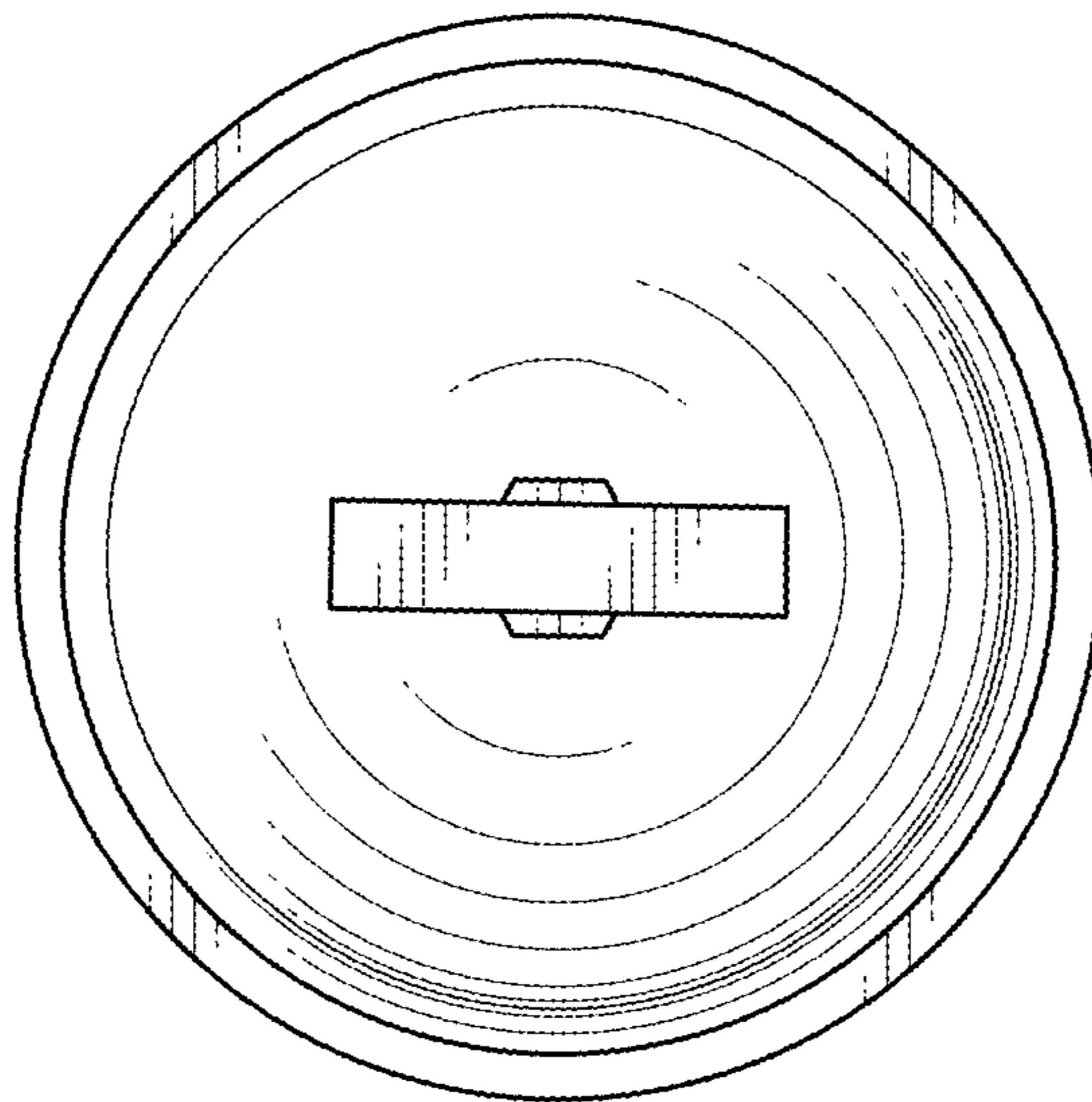


FIG. 7