

US00D820394S

(12) **United States Design Patent**
Shigyou et al.

(10) **Patent No.: US D820,394 S**

(45) **Date of Patent: ** Jun. 12, 2018**

(54) **FLUID CONTROL VALVE UNIT**

15/00; F16K 15/02; F16K 15/06; F16K 21/00; F16K 21/02; F16K 27/00

See application file for complete search history.

(71) Applicant: **FUJIKIN INCORPORATED**, Osaka (JP)

(56) **References Cited**

U.S. PATENT DOCUMENTS

(72) Inventors: **Kohei Shigyou**, Osaka (JP); **Takashi Hirose**, Osaka (JP); **Kouji Nishino**, Osaka (JP); **Ryousuke Dohi**, Osaka (JP); **Naofumi Yasumoto**, Osaka (JP)

D295,180 S *	4/1988	Kanno	D15/7
4,854,348 A *	8/1989	Tochikubo	F16K 11/078
			137/625.17
5,603,355 A *	2/1997	Miyazoe	137/625.64
6,701,959 B1 *	3/2004	Flynn	F01L 1/14
			137/625.27
D606,168 S *	12/2009	Miyazoe	D23/233
D623,270 S *	9/2010	Fukano	D23/233

(Continued)

(73) Assignee: **FUJIKIN INCORPORATED**, Osaka-Shi (JP)

Primary Examiner — Mary Ann Calabrese

(**) Term: **15 Years**

(74) *Attorney, Agent, or Firm* — Mori & Ward, LLP

(21) Appl. No.: **35/501,742**

(57) **CLAIM**

The ornamental design for a fluid control valve unit, as shown and described.

(22) Filed: **Apr. 20, 2016**

DESCRIPTION

(80) **Hague Agreement Data**

Int. Filing Date: **Apr. 20, 2016**
 Int. Reg. No.: **DM/092051**
 Int. Reg. Date: **Apr. 20, 2016**
 Int. Reg. Pub. Date: **Oct. 21, 2016**

- 1. Fluid control valve unit
- 1.1 : Perspective
- 1.2 : Perspective
- 1.3 : Enlarged
- 1.4 : Enlarged
- 1.5 : Cross-sectional
- 1.6 : Cross-sectional
- 1.7 : Front

(30) **Foreign Application Priority Data**

Oct. 30, 2015 (JP) 2015-024300
 Oct. 30, 2015 (JP) 2015-024301

The broken lines show portions of the fluid control valve unit that forms no part of the claimed design.

(51) **LOC (11) Cl.** **20-01**

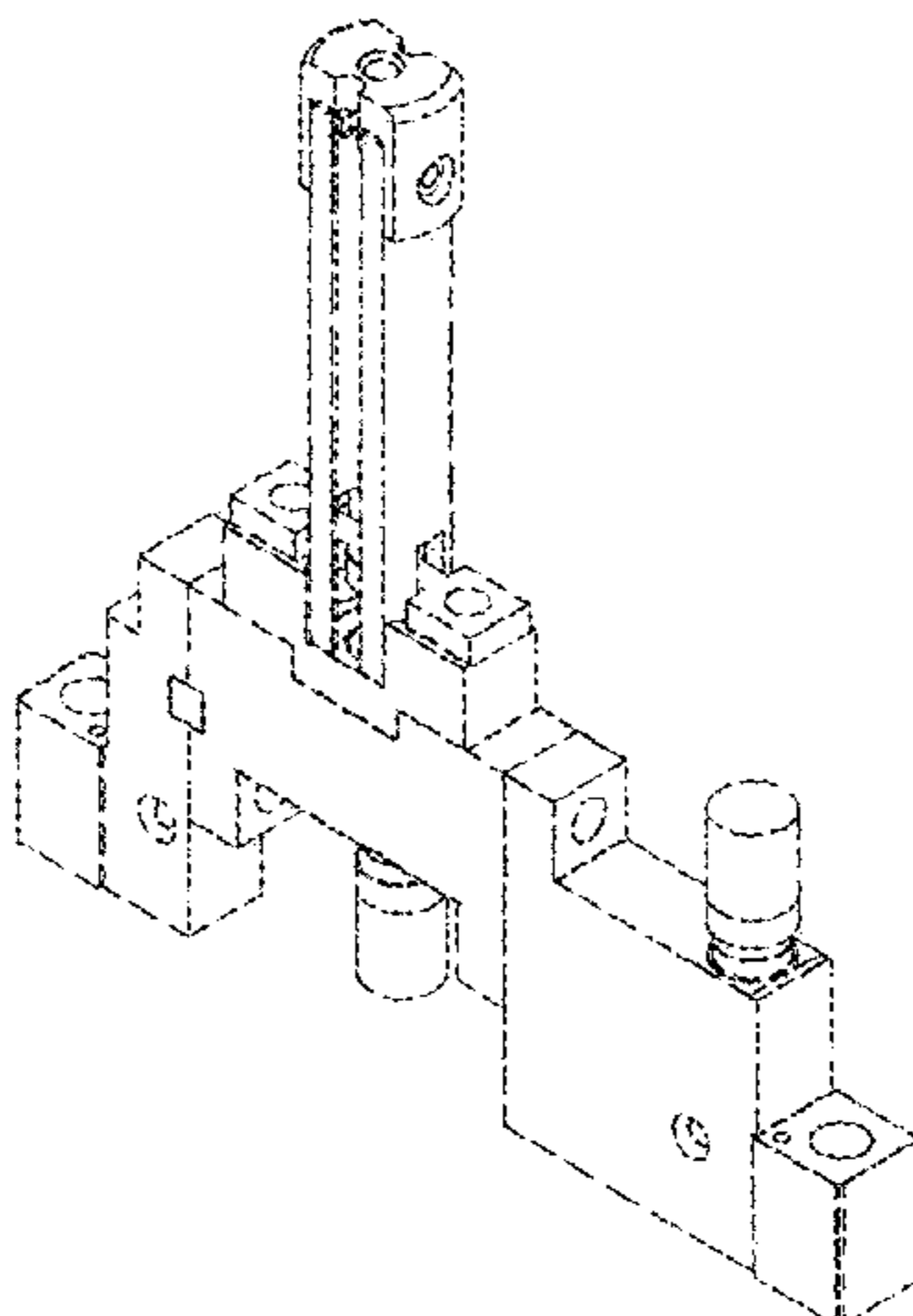
(52) **U.S. Cl.**
USPC **D23/233**

The reproduction 1.1 shows a front, top and right perspective view of the design; the reproduction 1.2 shows a back, bottom and left perspective view of design; the reproduction 1.3 is an enlarged front view of a left side portion of the reproduction 1.1; the reproduction 1.4 is an enlarged back view of a right side portion of the reproduction 1.2; the reproduction 1.5 is an enlarged cross-sectional top view taken along the horizontal center of the portion in solid line of reproduction 1.3; the reproduction 1.6 is a cross-sectional

(58) **Field of Classification Search**

USPC D23/233, 235-327
 CPC . F16K 1/00; F16K 1/12; F16K 3/0209; F16K 11/00; F16K 11/027; F16K 11/044; F16K 11/07; F16K 11/078; F16K 11/20; F16K

(Continued)



right view taken along the vertical center of the portion in solid lines of reproduction 1.3; and the reproduction 1.7 shows a front view of the design.

1 Claim, 7 Drawing Sheets

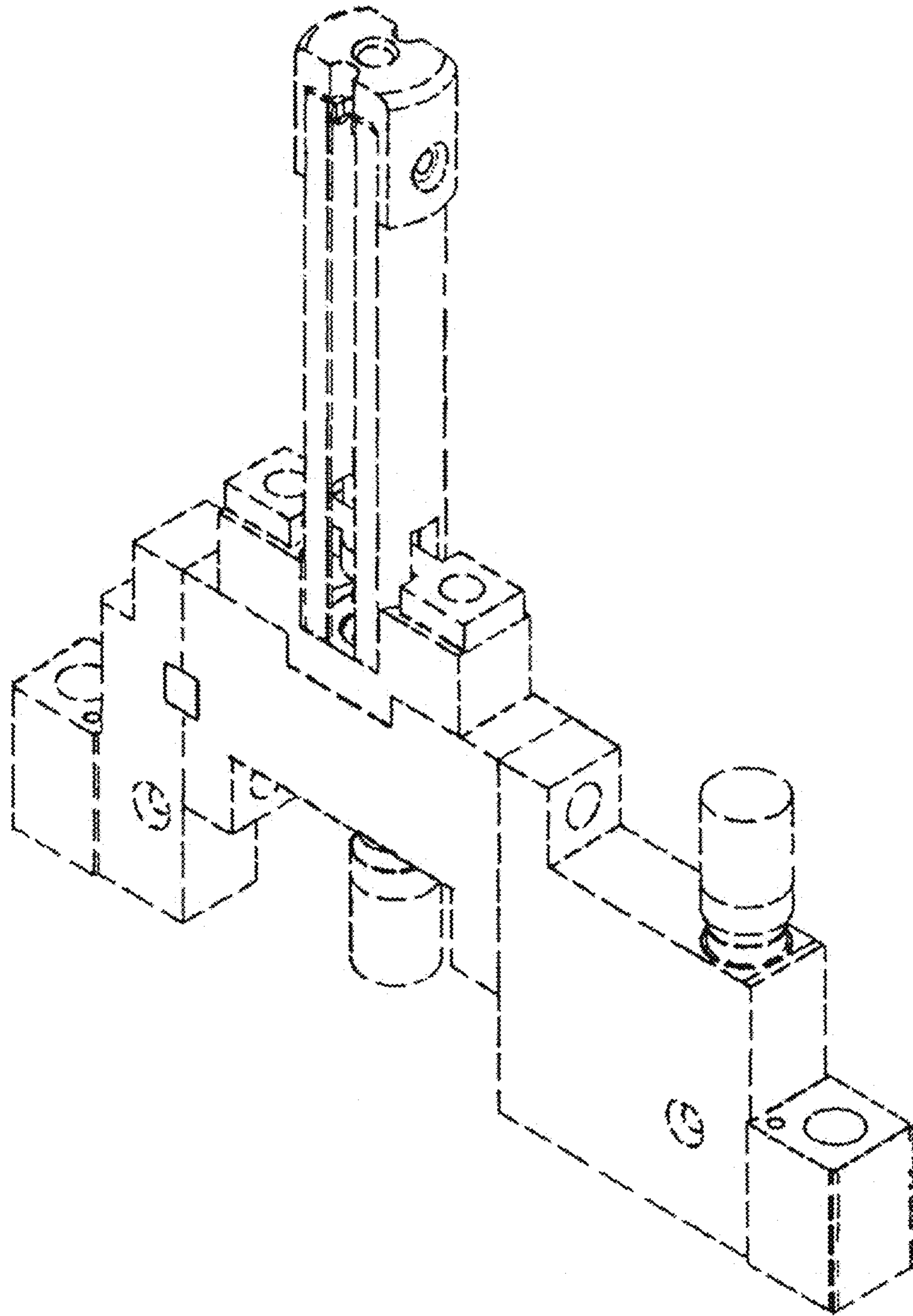
(56) **References Cited**

U.S. PATENT DOCUMENTS

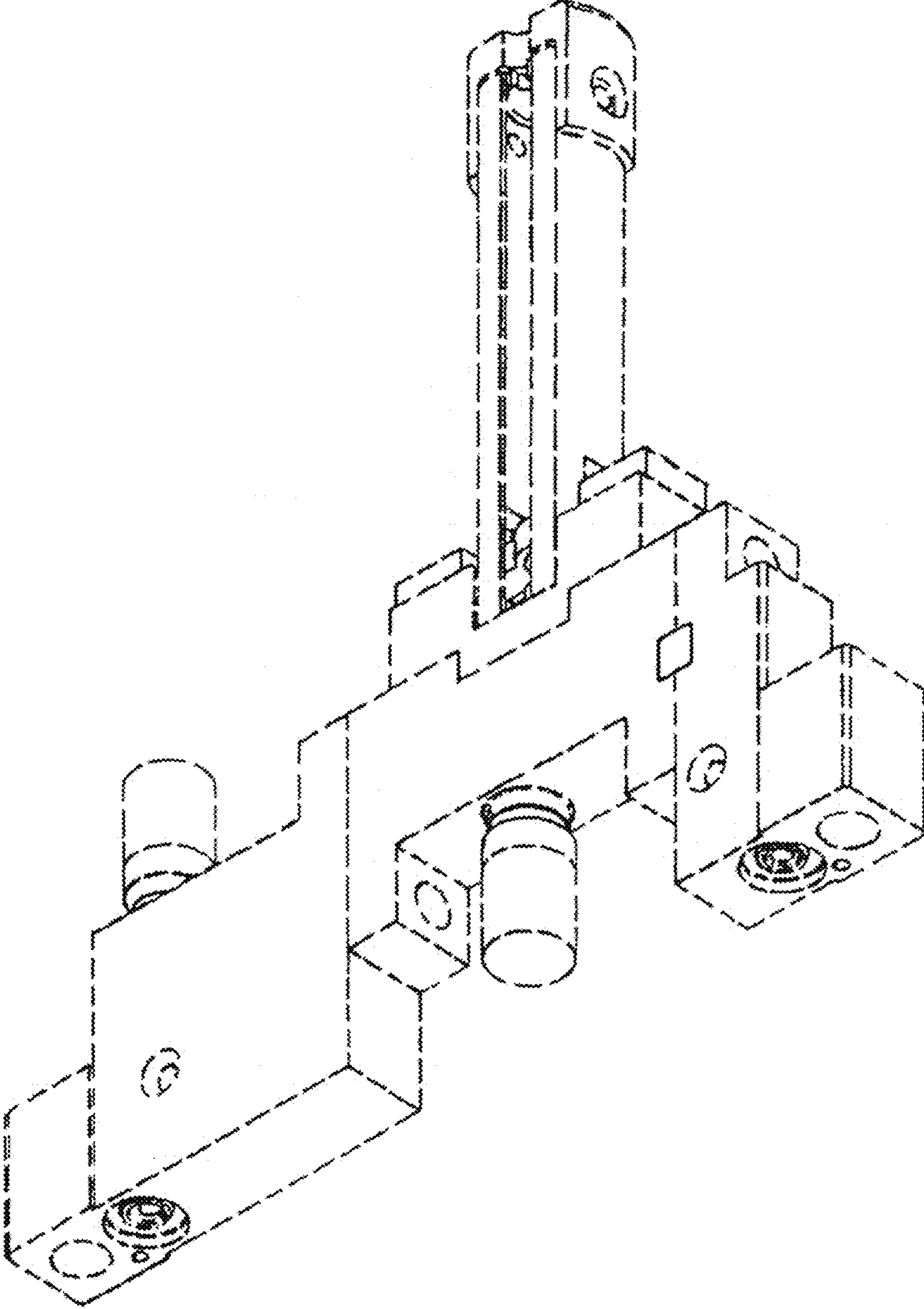
D653,307 S *	1/2012	Senba	D23/233
D653,308 S *	1/2012	Senba	D23/233
D665,874 S *	8/2012	Senba	D23/233
8,733,389 B2 *	5/2014	Hong	F16K 11/0856 137/269
9,309,983 B2 *	4/2016	Yogo	F16K 27/003
2004/0040603 A1 *	3/2004	Shieh	E03C 1/023 137/597
2016/0362239 A1 *	12/2016	Johnson	B65D 47/2018

* cited by examiner

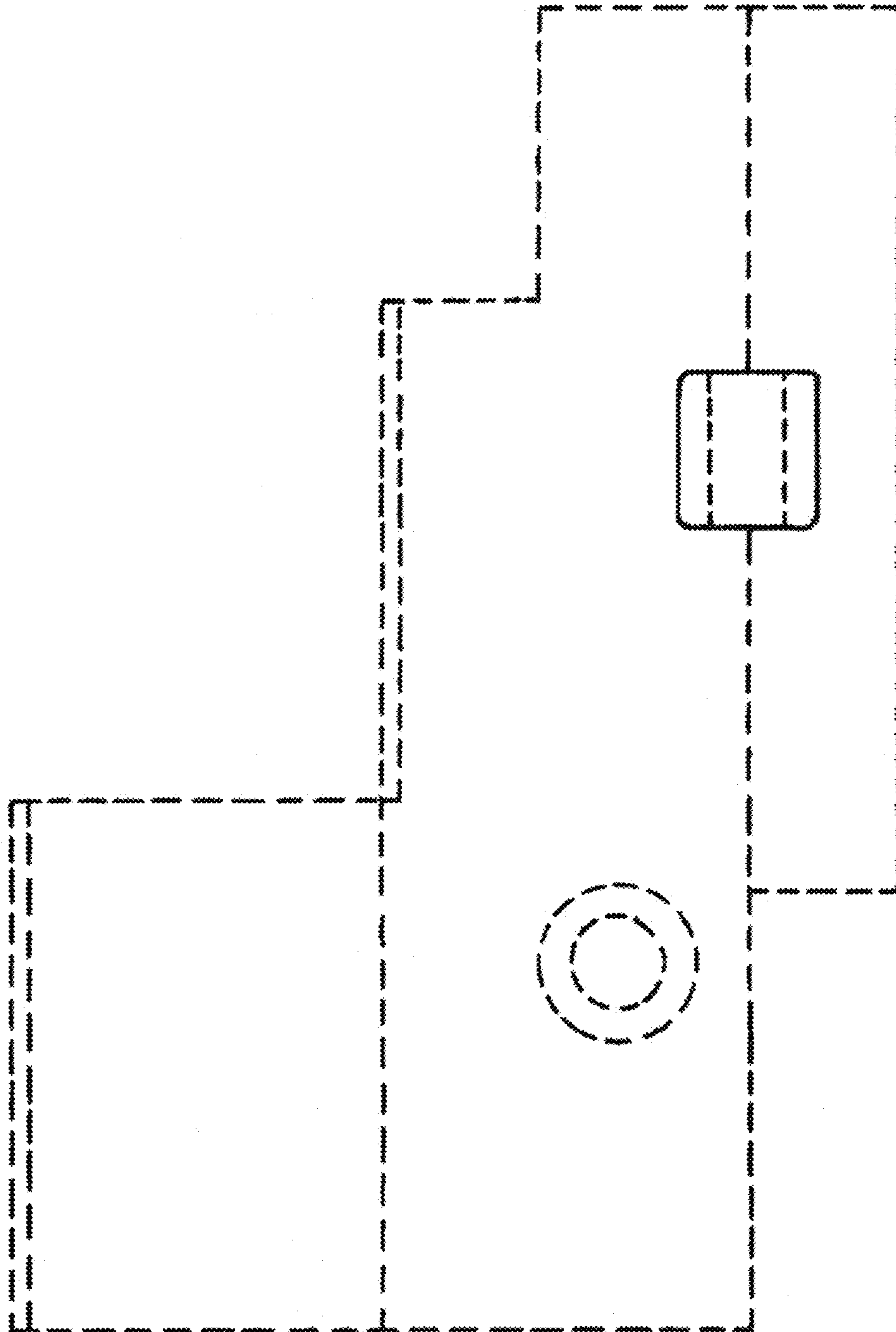
1.1



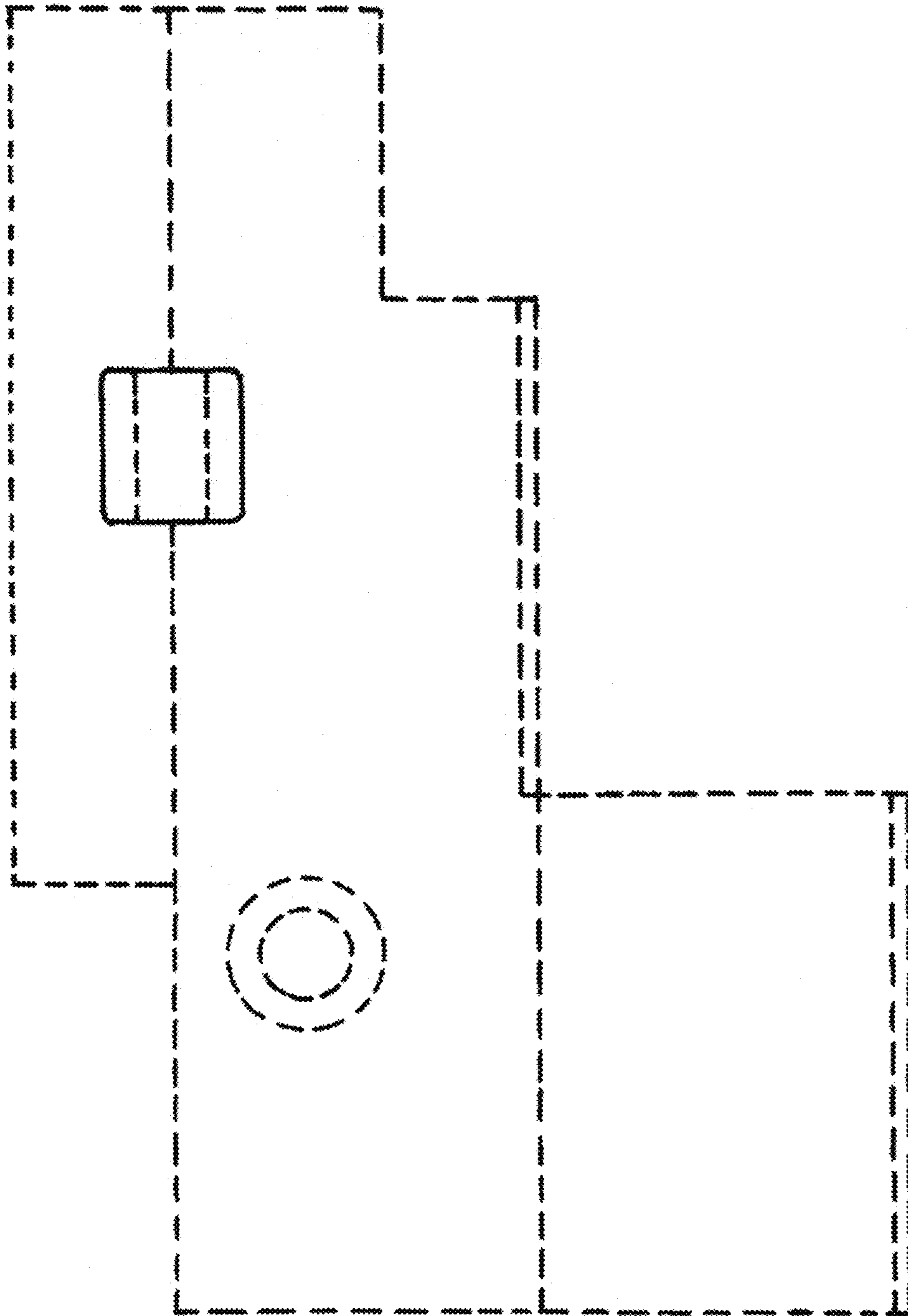
1.2



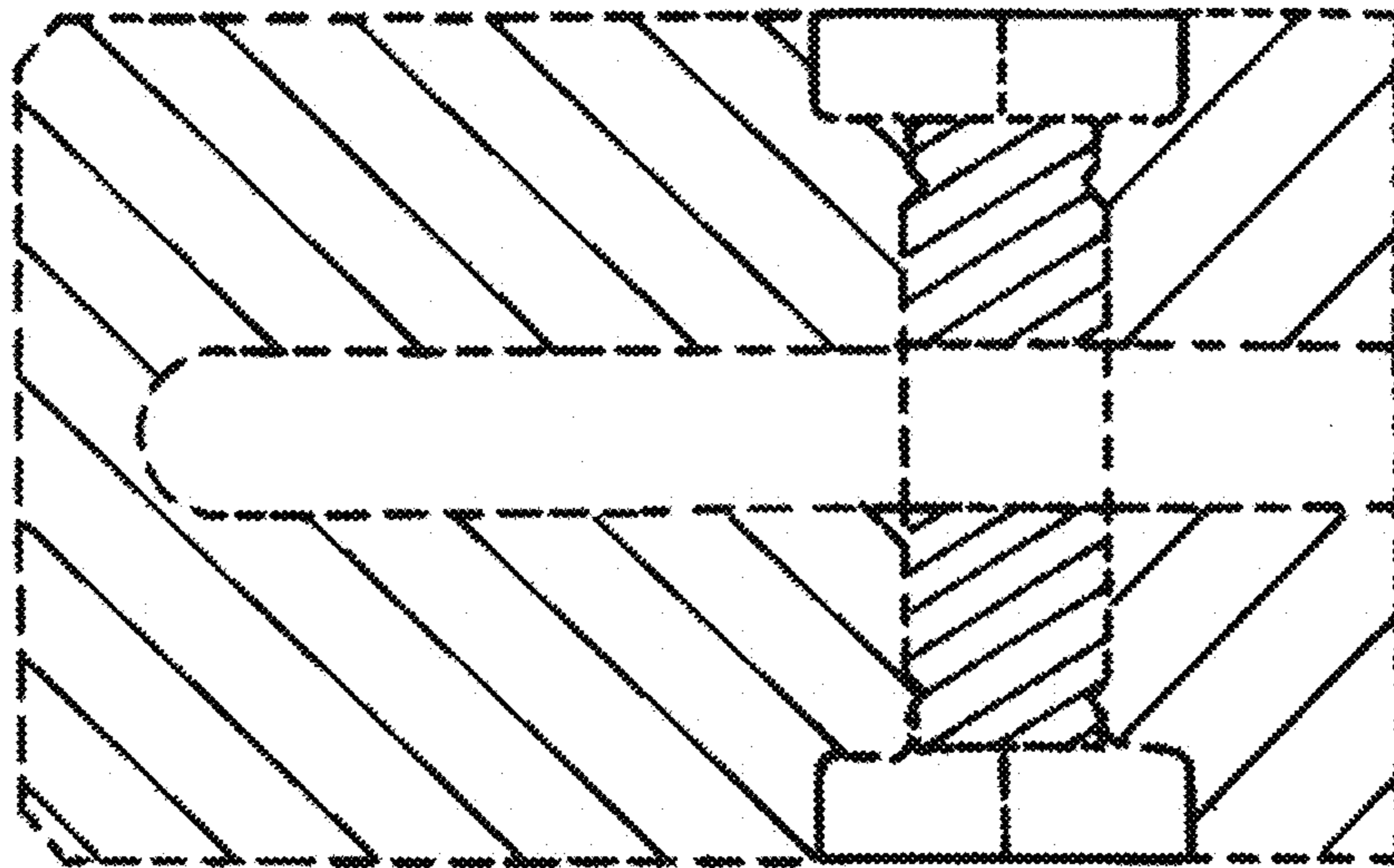
1.3



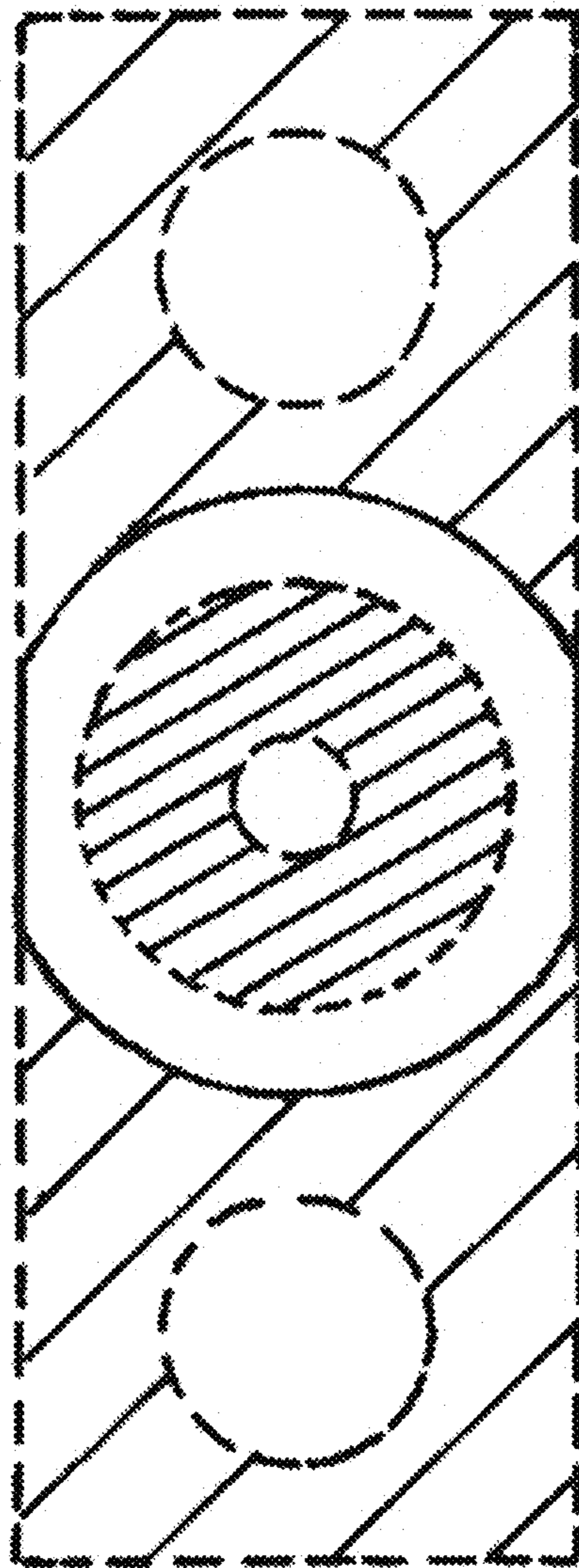
1.4



1.5



1.6



1.7

