



US00D820393S

(12) **United States Design Patent** (10) **Patent No.:** **US D820,393 S**
Tickle (45) **Date of Patent:** **** Jun. 12, 2018**

(54) **REGULATOR BONNET**
(71) Applicant: **Engineered Controls International, LLC, Elon, NC (US)**
(72) Inventor: **Tracy N. Tickle, Gibsonville, NC (US)**
(73) Assignee: **Engineered Controls International, LLC, Elon, NC (US)**
(**) Term: **15 Years**
(21) Appl. No.: **29/570,847**
(22) Filed: **Jul. 12, 2016**
(51) **LOC (11) Cl.** **23-01**
(52) **U.S. Cl.**
USPC **D23/233; D23/235**
(58) **Field of Classification Search**
USPC D23/233, 235
CPC A62B 9/02; A62B 9/025; A62B 9/022;
B63C 11/2209; B63C 2011/2218; B63C
2011/229; B63C 2011/2272; B63C
2011/2281; B63C 2011/2254; B63C
2011/2263; Y10T 137/7795; Y10T
137/7794; Y10T 137/8733; Y10T
137/7781; Y10T 137/8326; Y10T
137/87265; Y10T 137/7808; Y10T
137/7828; Y10T 137/7036; Y10T
137/8122; Y10T 137/7826; Y10T
137/88054; Y10T 137/8741; Y10T
137/2607; Y10T 137/87418; Y10T
137/6525; Y10T 137/2012; Y10T
137/7904; Y10T 137/2036; Y10T
137/6116; G05D 16/0663; G05D 16/103
See application file for complete search history.

(56) **References Cited**
U.S. PATENT DOCUMENTS
4,344,456 A * 8/1982 Hostetler F16K 21/18
137/403
D283,740 S * 5/1986 Wiesinger, II D23/235
D732,642 S * 6/2015 Morgan D23/235

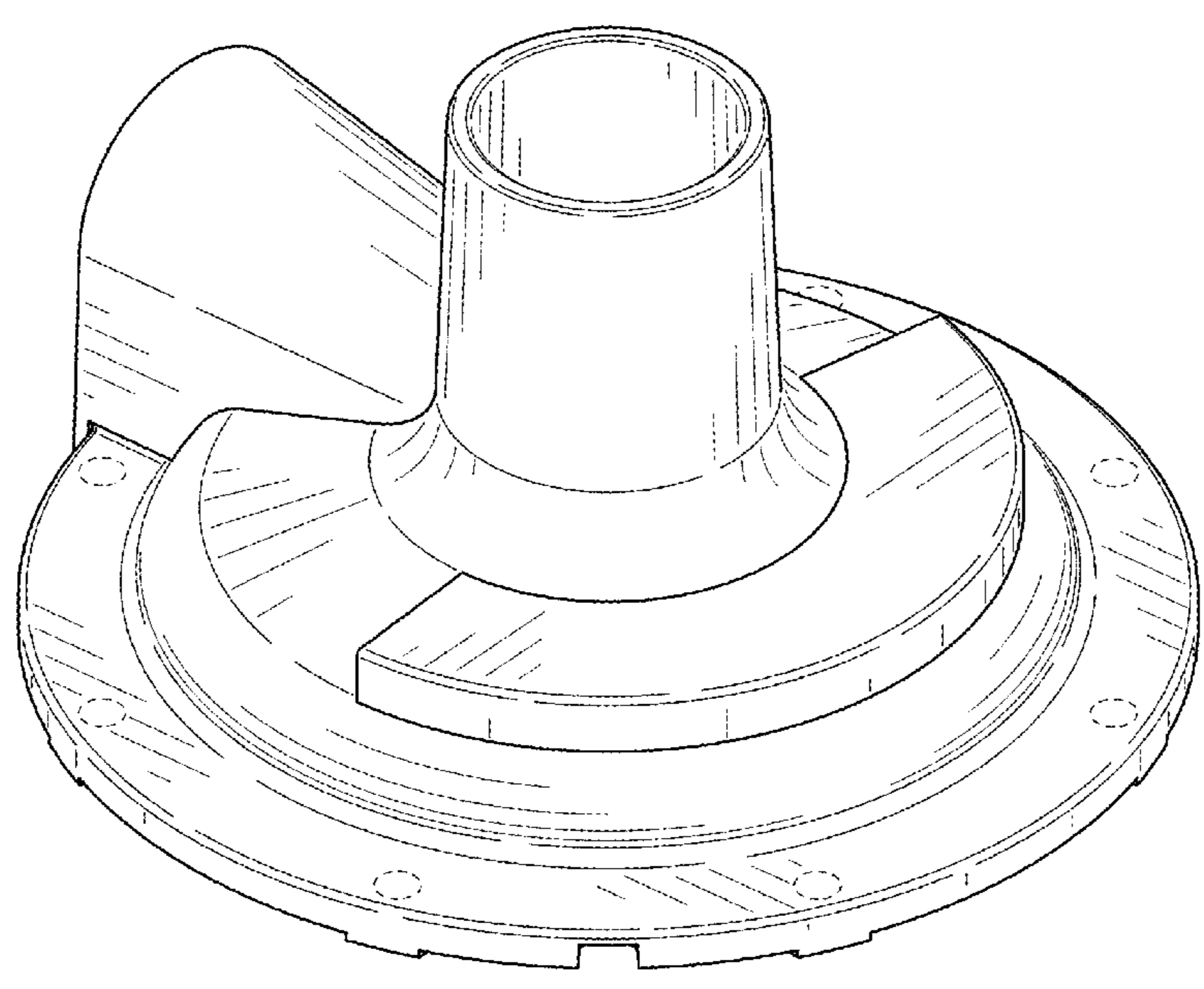
OTHER PUBLICATIONS
Rego L-500 Catalog, LP-Gas & Anhydrous Ammonia Equipment,
dated at least as early as 2014.

* cited by examiner
Primary Examiner — Antoine Duval Davis
(74) *Attorney, Agent, or Firm* — Neal, Gerber &
Eisenberg LLP

(57) **CLAIM**
The ornamental design for a regulator bonnet, as shown and
described.

DESCRIPTION
FIG. 1 is a front, left side perspective of the regulator bonnet
showing my new design;
FIG. 2 is a left side elevational view thereof;
FIG. 3 is a right side elevational view thereof;
FIG. 4 is a front elevational view thereof;
FIG. 5 is a rear elevational view thereof;
FIG. 6 is a top plan view thereof; and,
FIG. 7 is a bottom plan view thereof.
The broken lines in FIGS. 1-7 are for the purpose of
illustrating environment, and form no part of the claimed
design.

1 Claim, 5 Drawing Sheets



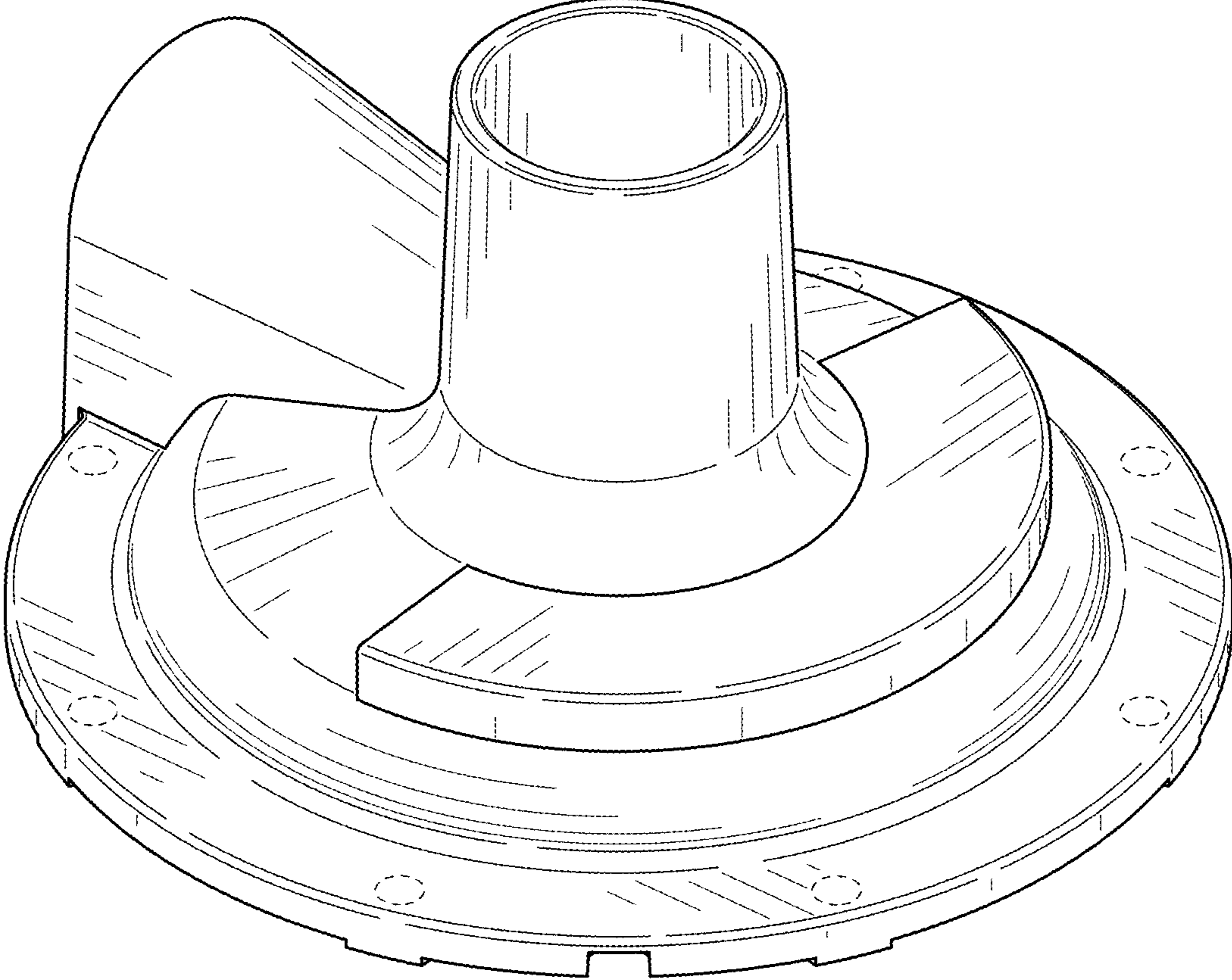


FIG. 1

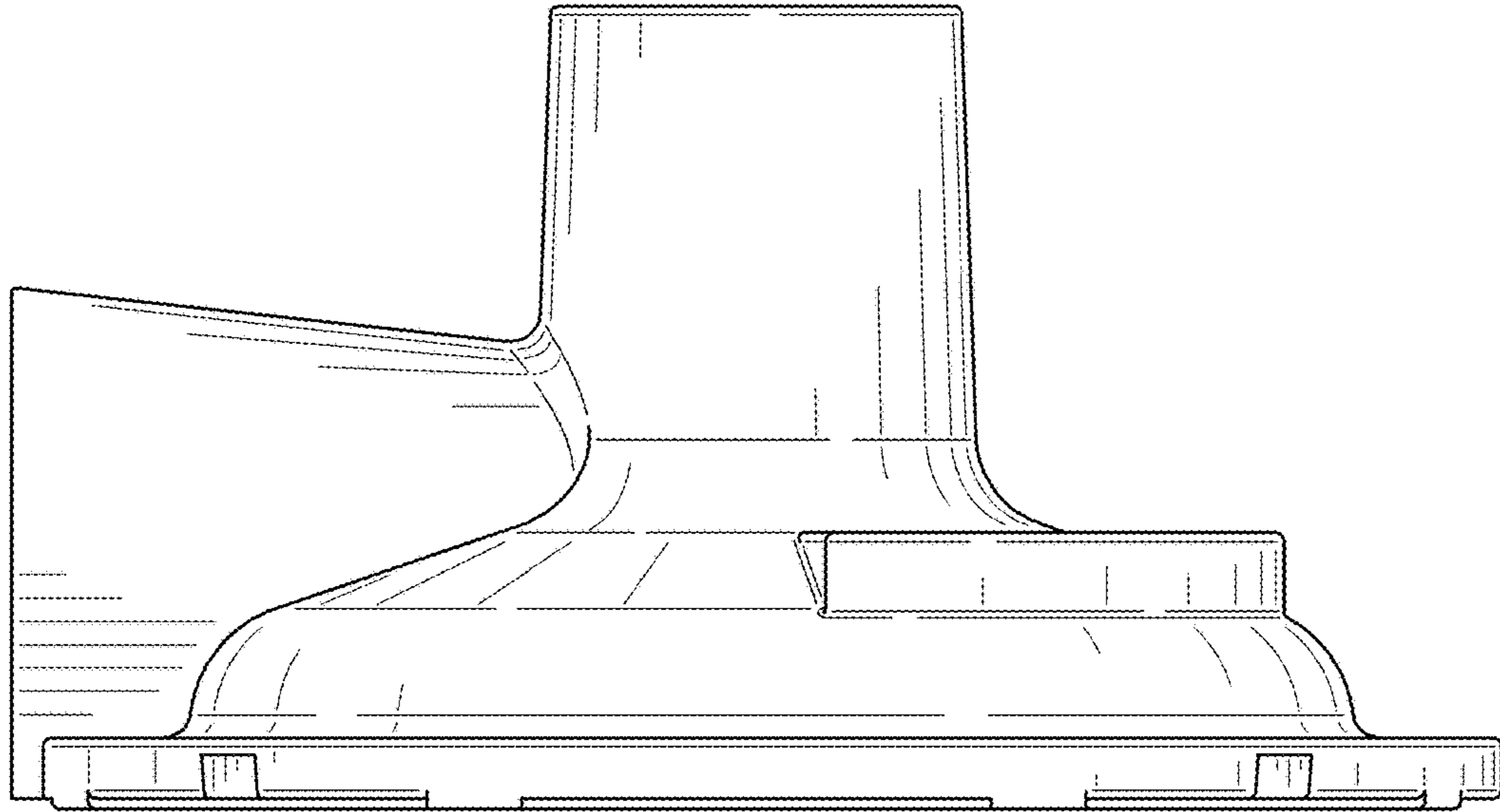


FIG. 2

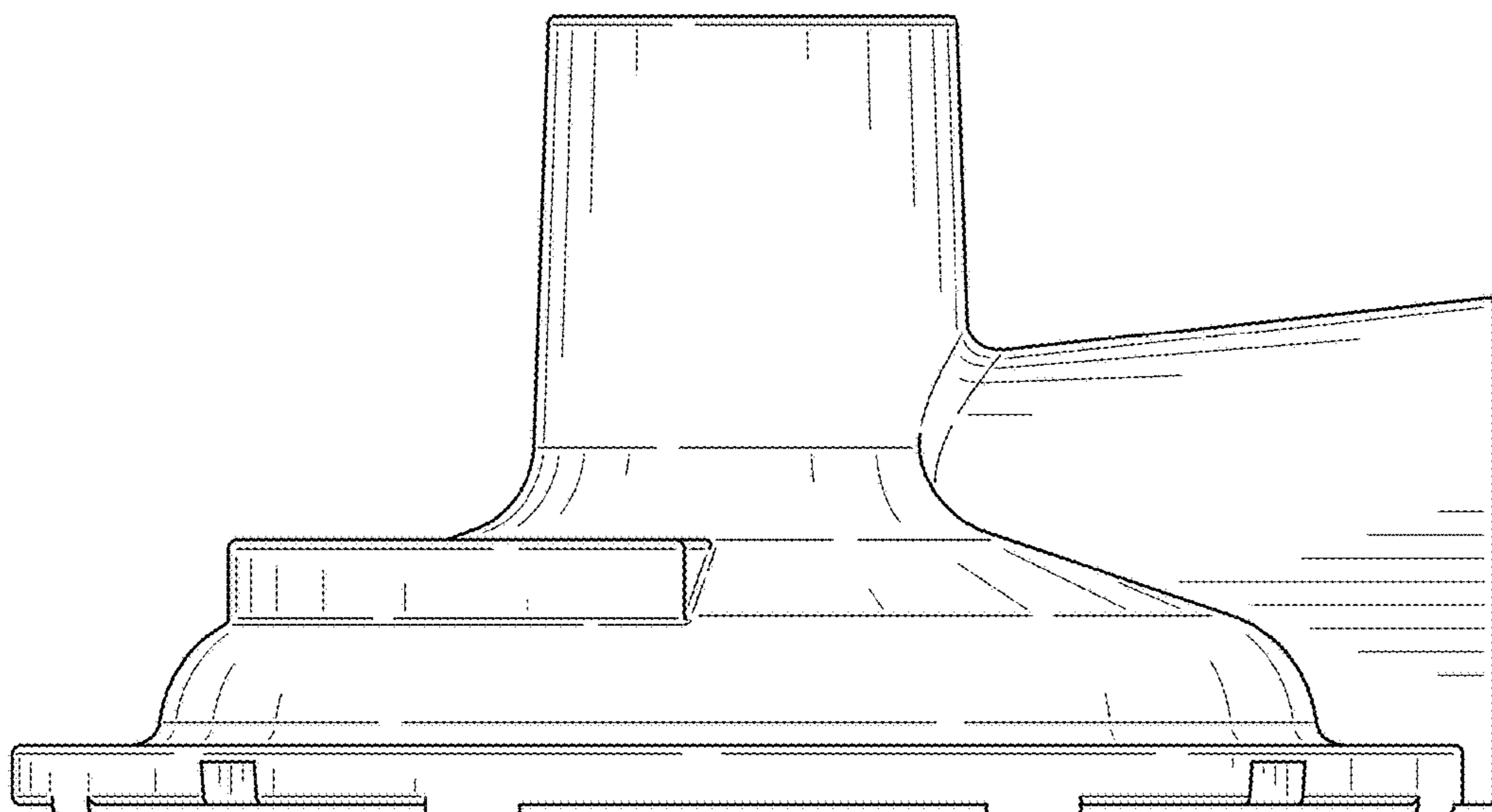


FIG. 3

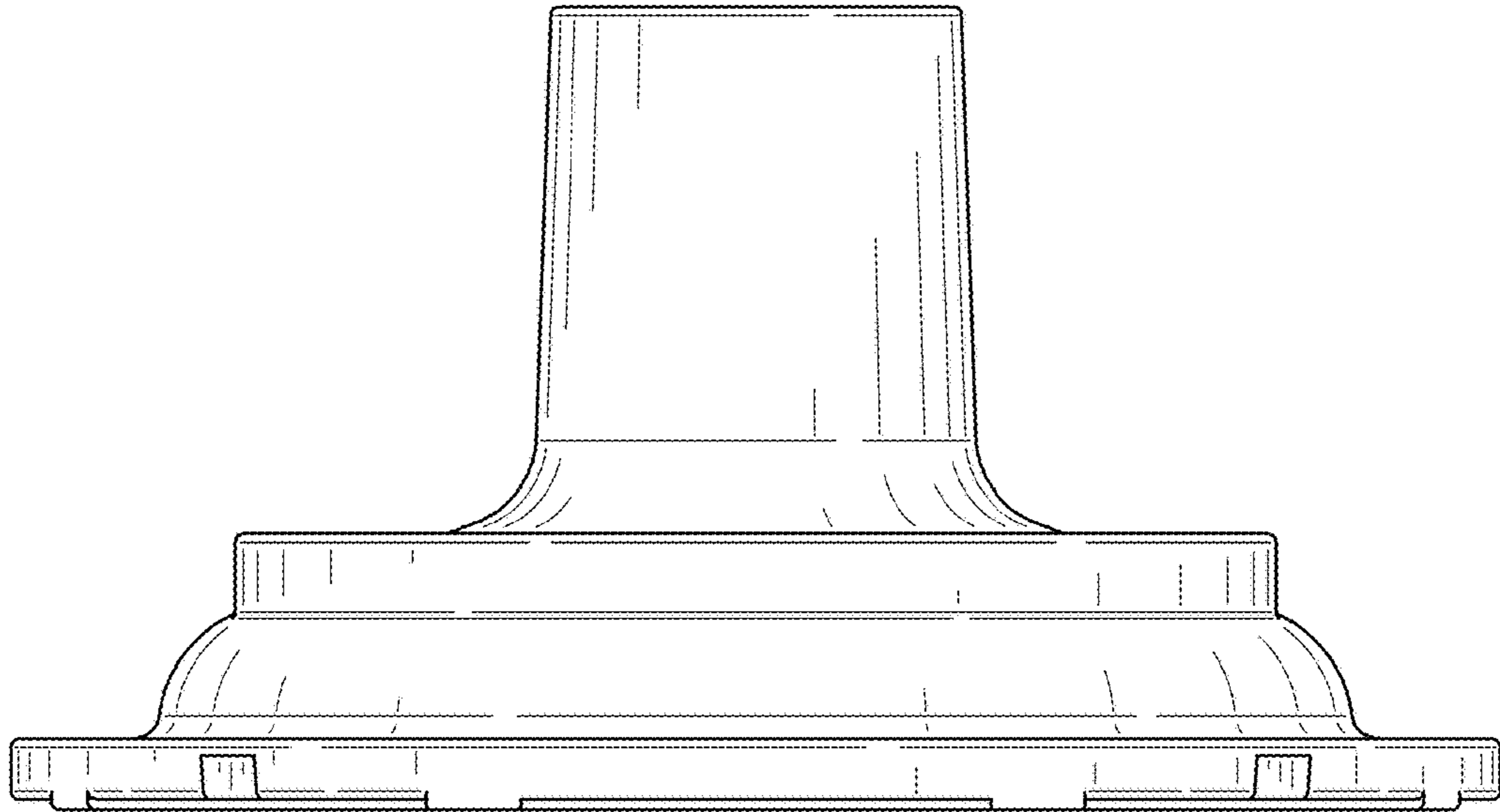


FIG. 4

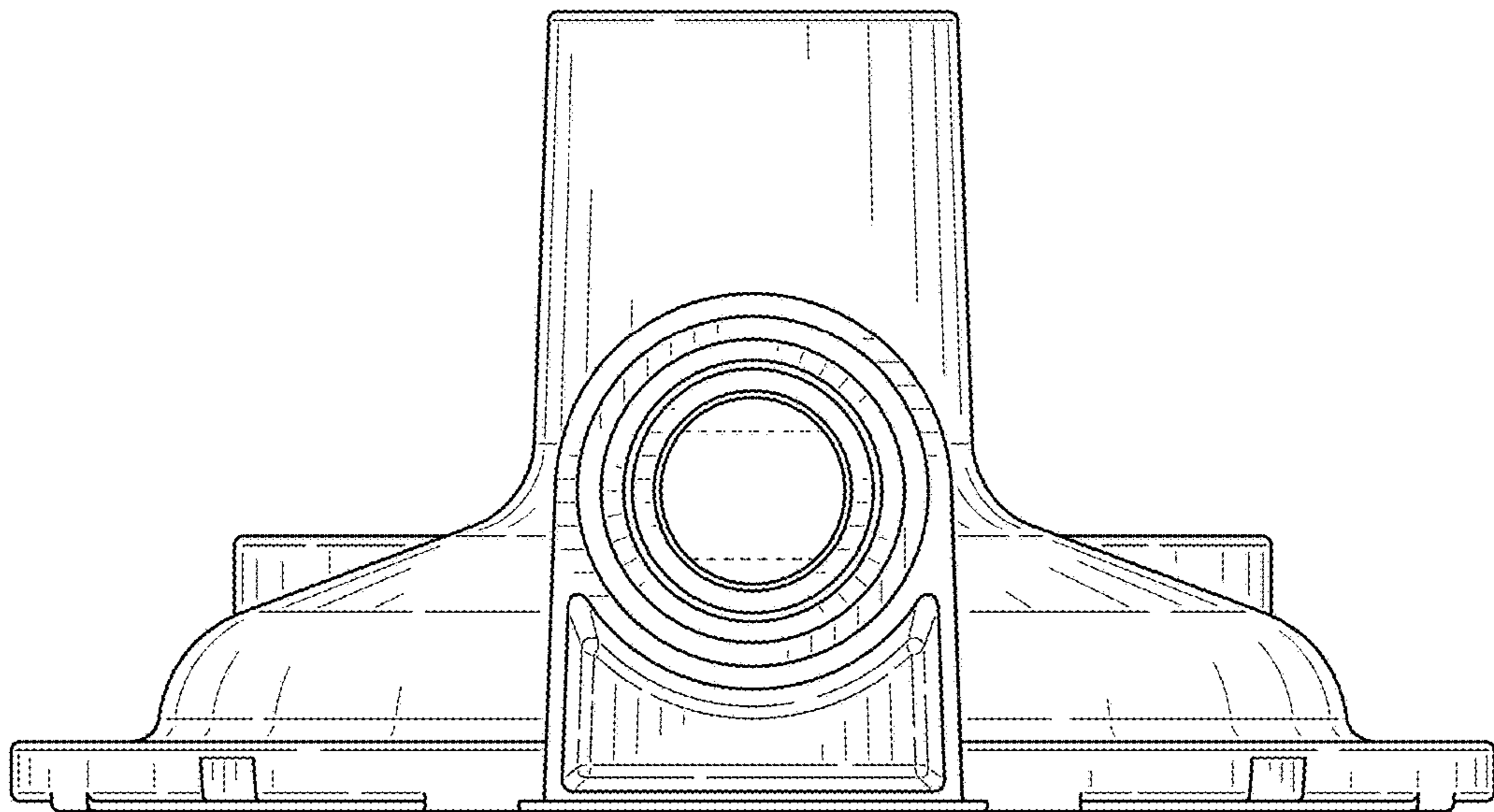


FIG. 5

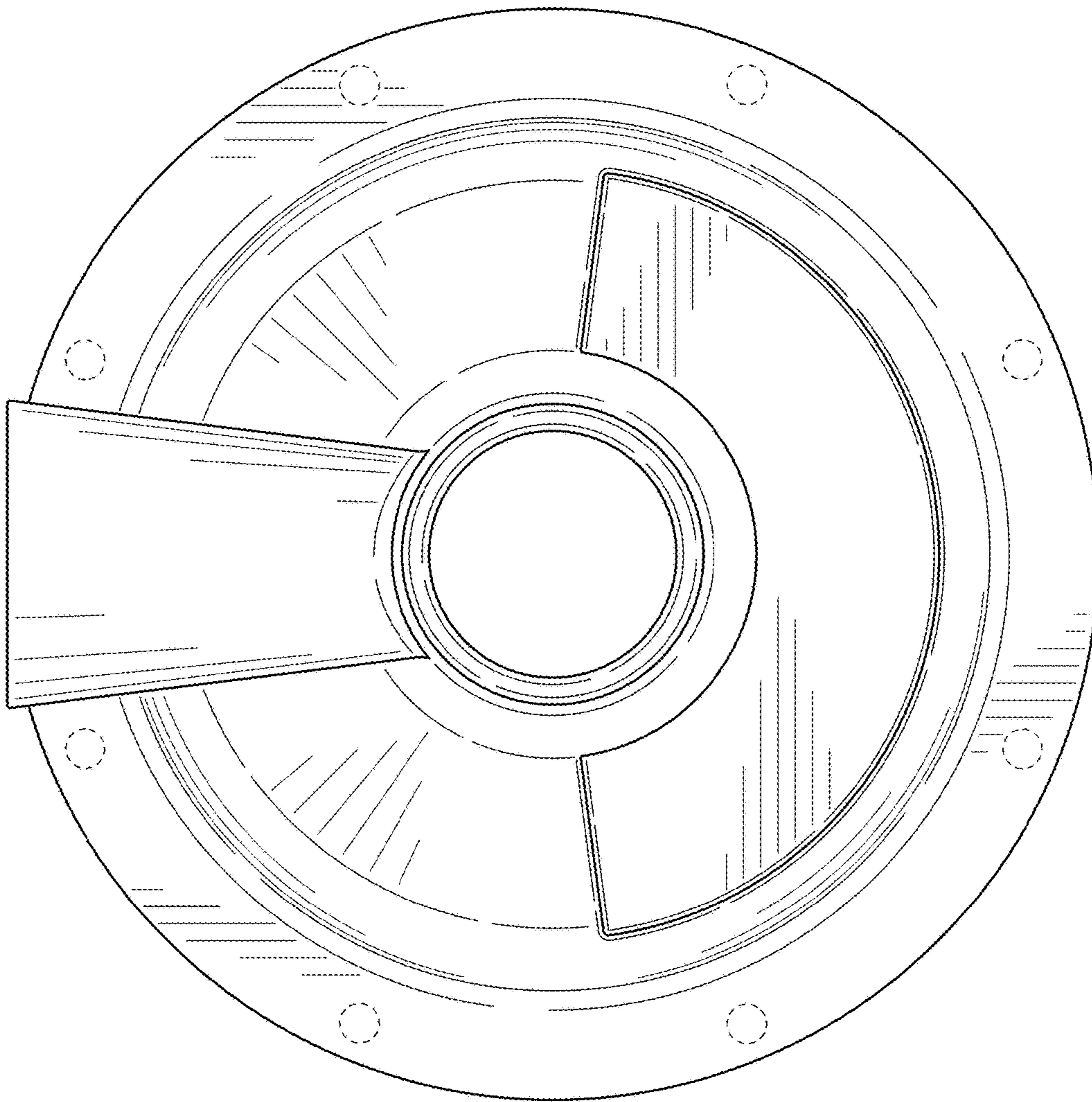


FIG. 6

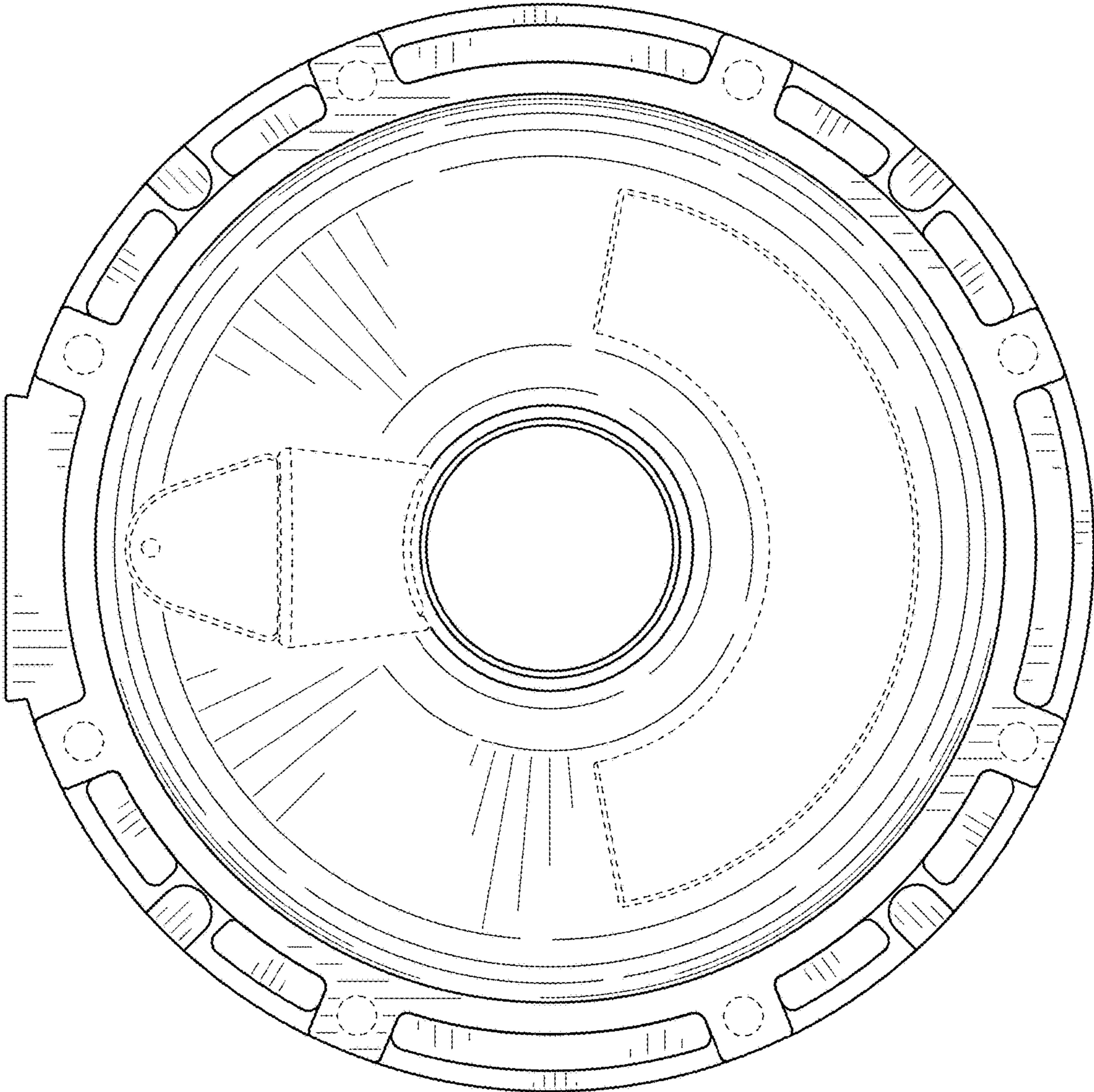


FIG. 7