



US00D820392S

(12) **United States Design Patent**
Caleffi

(10) **Patent No.:** **US D820,392 S**

(45) **Date of Patent:** **** Jun. 12, 2018**

(54) **VALVE**

(71) Applicant: **Caleffi S.p.A.**, Fontaneto d'Agogna (IT)

(72) Inventor: **Marco Caleffi**, Fontaneta d'Agogna (IT)

(73) Assignee: **Caleffi S.p.A.** (IT)

(**) Term: **15 Years**

(21) Appl. No.: **29/535,264**

(22) Filed: **Aug. 5, 2015**

(30) **Foreign Application Priority Data**

Feb. 10, 2015 (EM) 002630384-0001
Feb. 10, 2015 (EM) 002630384-0002
Feb. 10, 2015 (EM) 002630384-0003
Feb. 10, 2015 (EM) 002630384-0004

(51) **LOC (11) Cl.** **23-01**

(52) **U.S. Cl.**
USPC **D23/233**

(58) **Field of Classification Search**
USPC D23/233-250; 137/625.29, 597, 613,
137/625.68, 106, 98, 14, 487, 601.13,
137/625, 625.11, 557, 255, 215, 556.6,
137/505; 251/129.07, 129.17, 331
See application file for complete search history.

(56) **References Cited**

U.S. PATENT DOCUMENTS

D449,872 S * 10/2001 Lohde D23/233
D677,363 S * 3/2013 Norlander D23/233

D720,430 S * 12/2014 Yoshida D23/233
8,985,140 B2 * 3/2015 Pettinaroli F24D 19/1015
137/487
2004/0261862 A1 * 12/2004 Wang F16K 37/0066
137/557
2007/0089790 A1 * 4/2007 Hecking F24D 3/10
137/597
2008/0105311 A1 * 5/2008 Bulter F16L 41/021
137/625.11
2012/0325338 A1 * 12/2012 Pettinaroli F24D 19/1015
137/505
2015/0198258 A1 * 7/2015 Ibsen F16K 3/24
137/556.6
2016/0139605 A1 * 5/2016 Guidetti F16K 3/262
137/487
2016/0266584 A1 * 9/2016 Pettinaroli F16K 31/53

* cited by examiner

Primary Examiner — Cynthia Ramirez

Assistant Examiner — Gino Colan

(74) *Attorney, Agent, or Firm* — Laubscher, Spendlove & Laubscher, P.C.

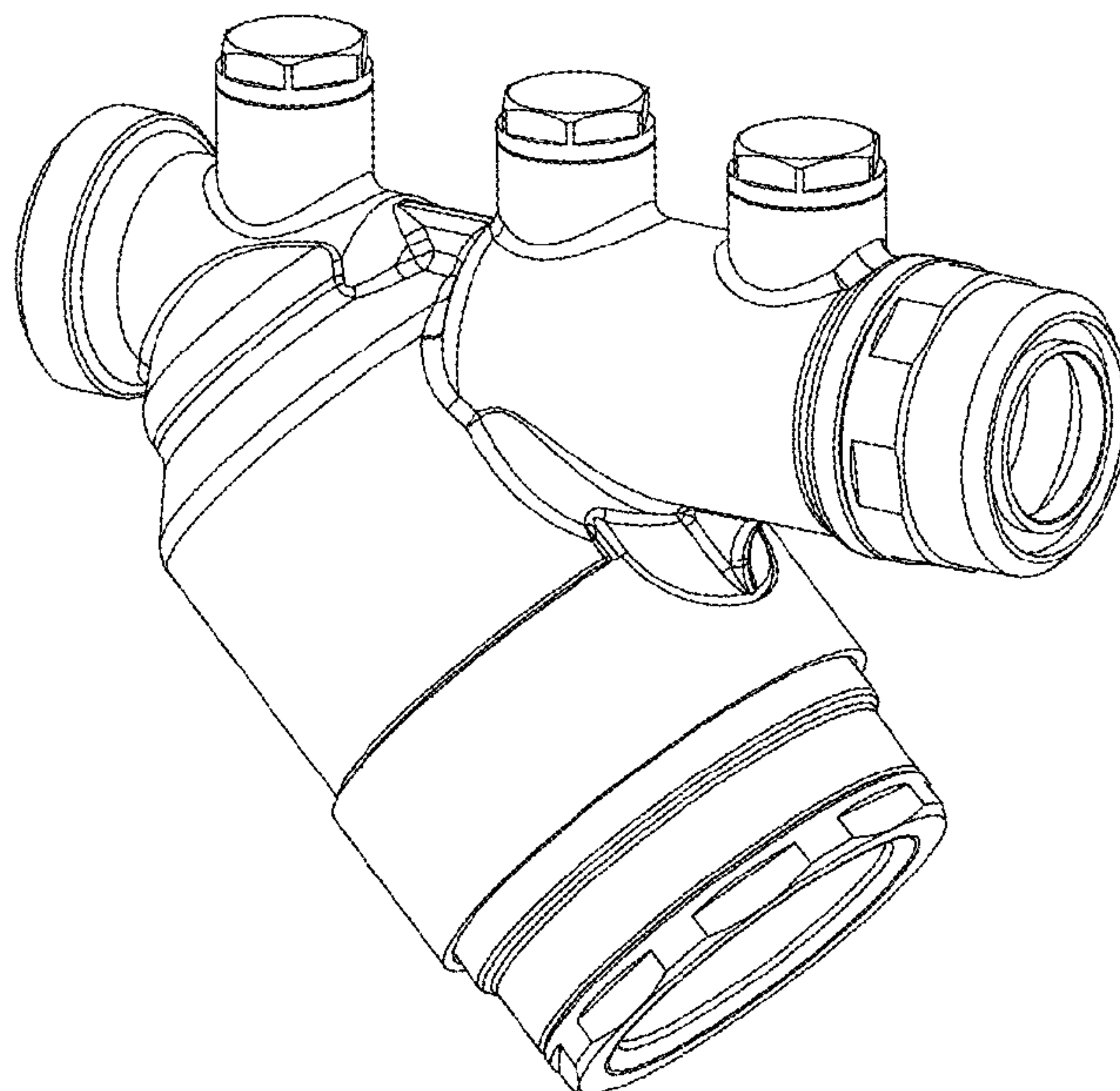
(57) **CLAIM**

The ornamental design for a valve, as shown.

DESCRIPTION

FIG. 1 is a front perspective view of the invention of a valve showing my new design;
FIG. 2 is a front elevation view thereof;
FIG. 3 is a right side elevation view thereof;
FIG. 4 is a left side elevation view thereof;
FIG. 5 is a top plan view thereof; and,
FIG. 6 is a bottom plan view thereof.

1 Claim, 3 Drawing Sheets



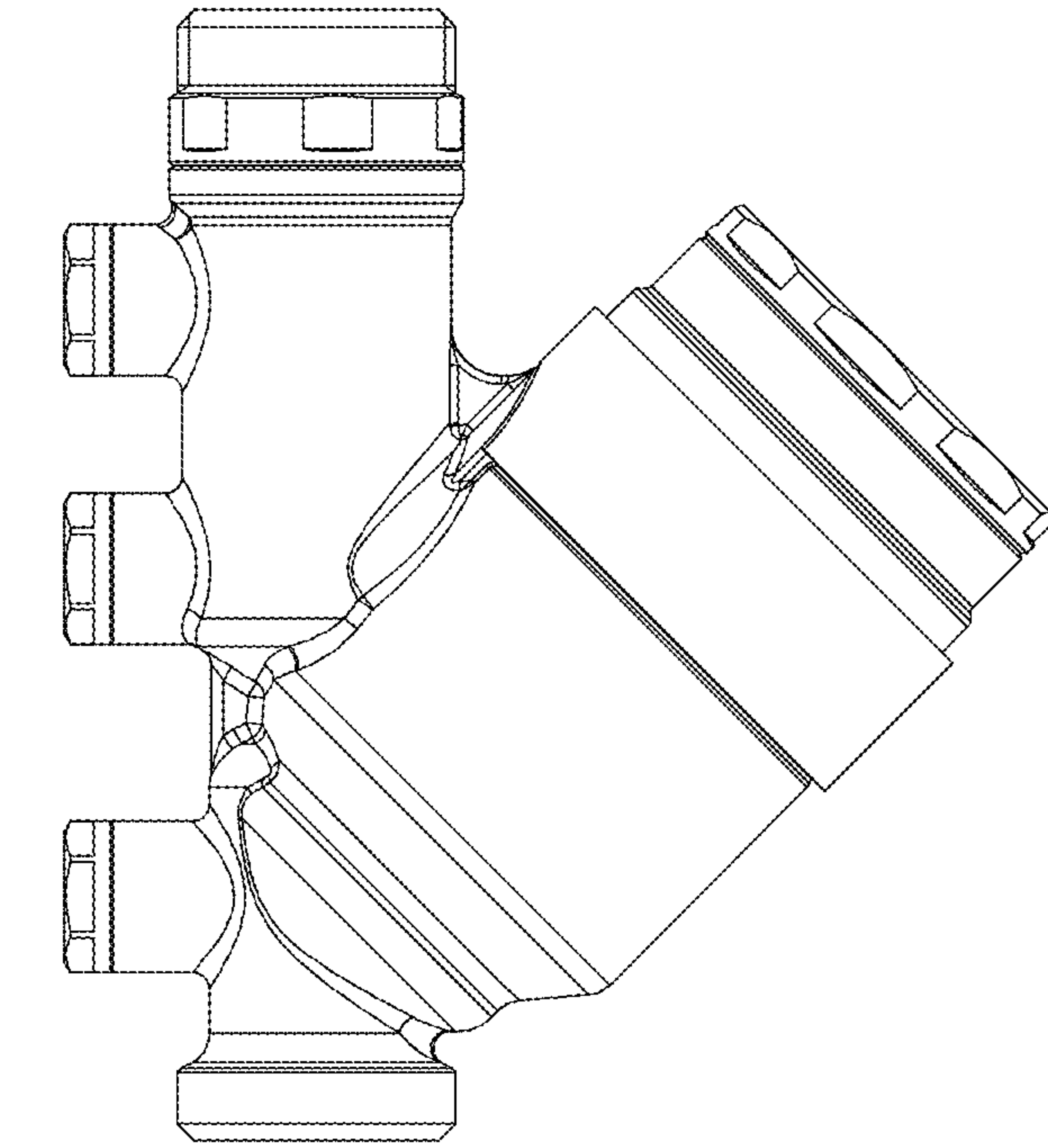


FIG. 1

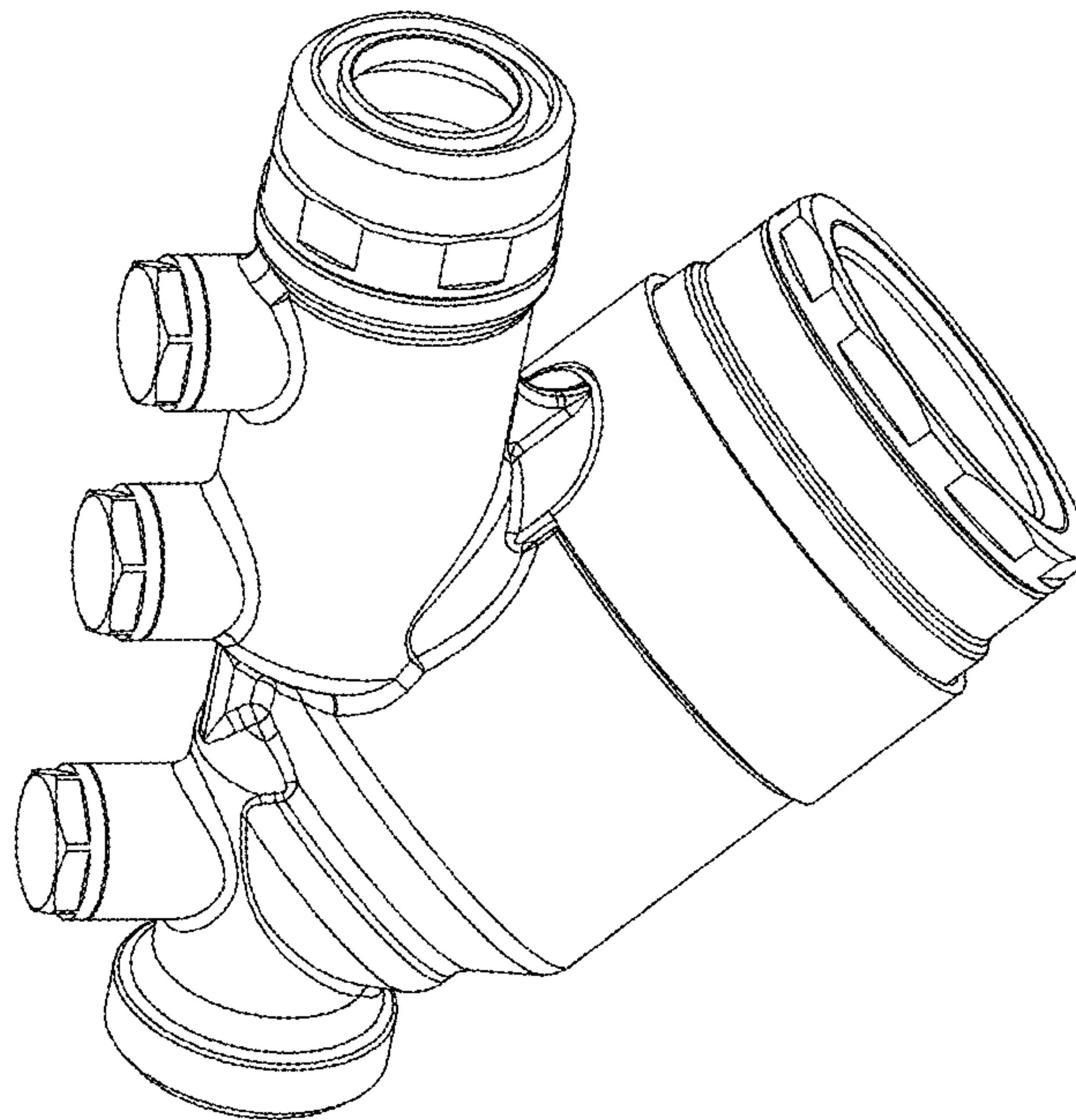


FIG. 2

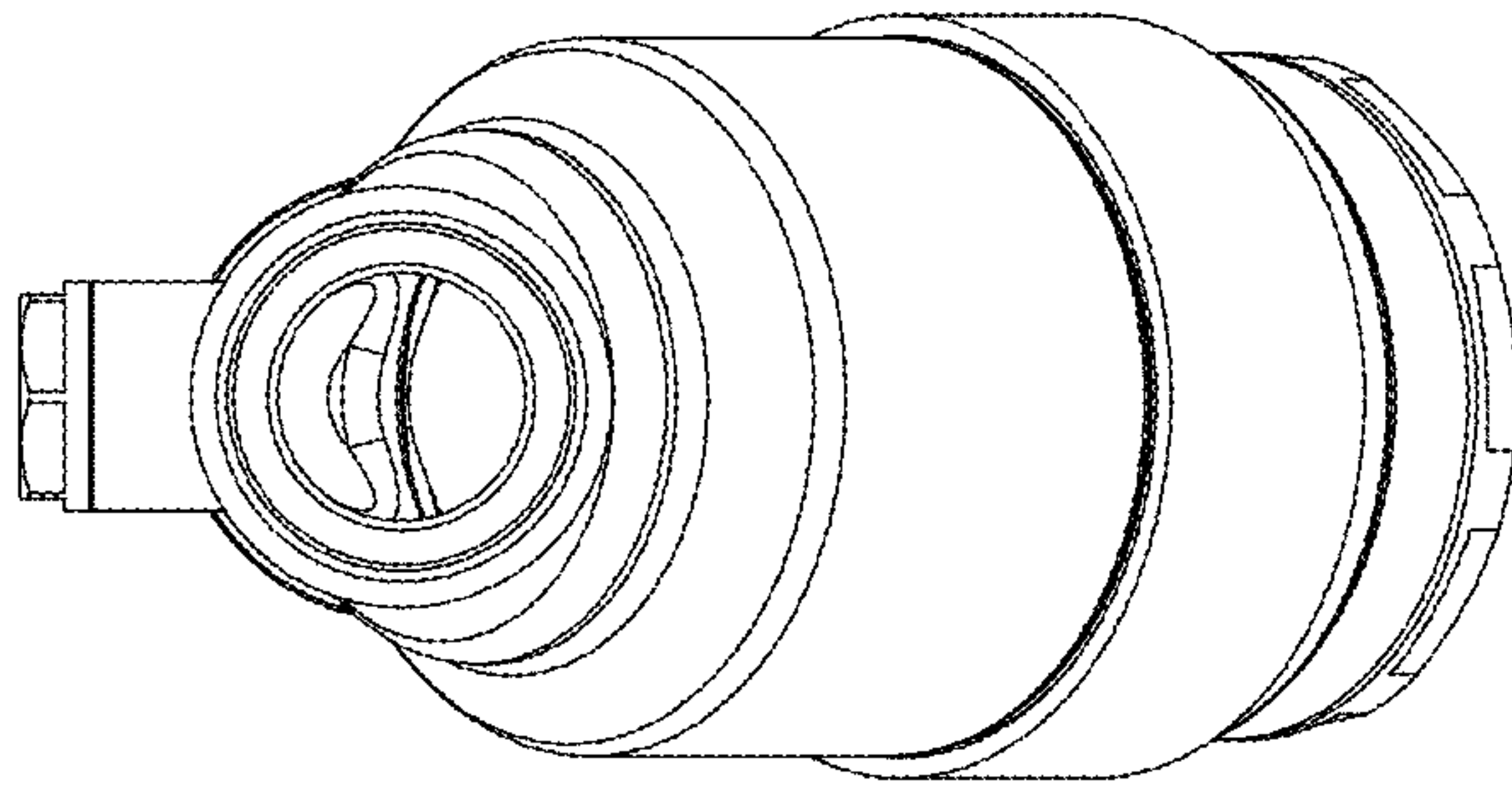


FIG.4

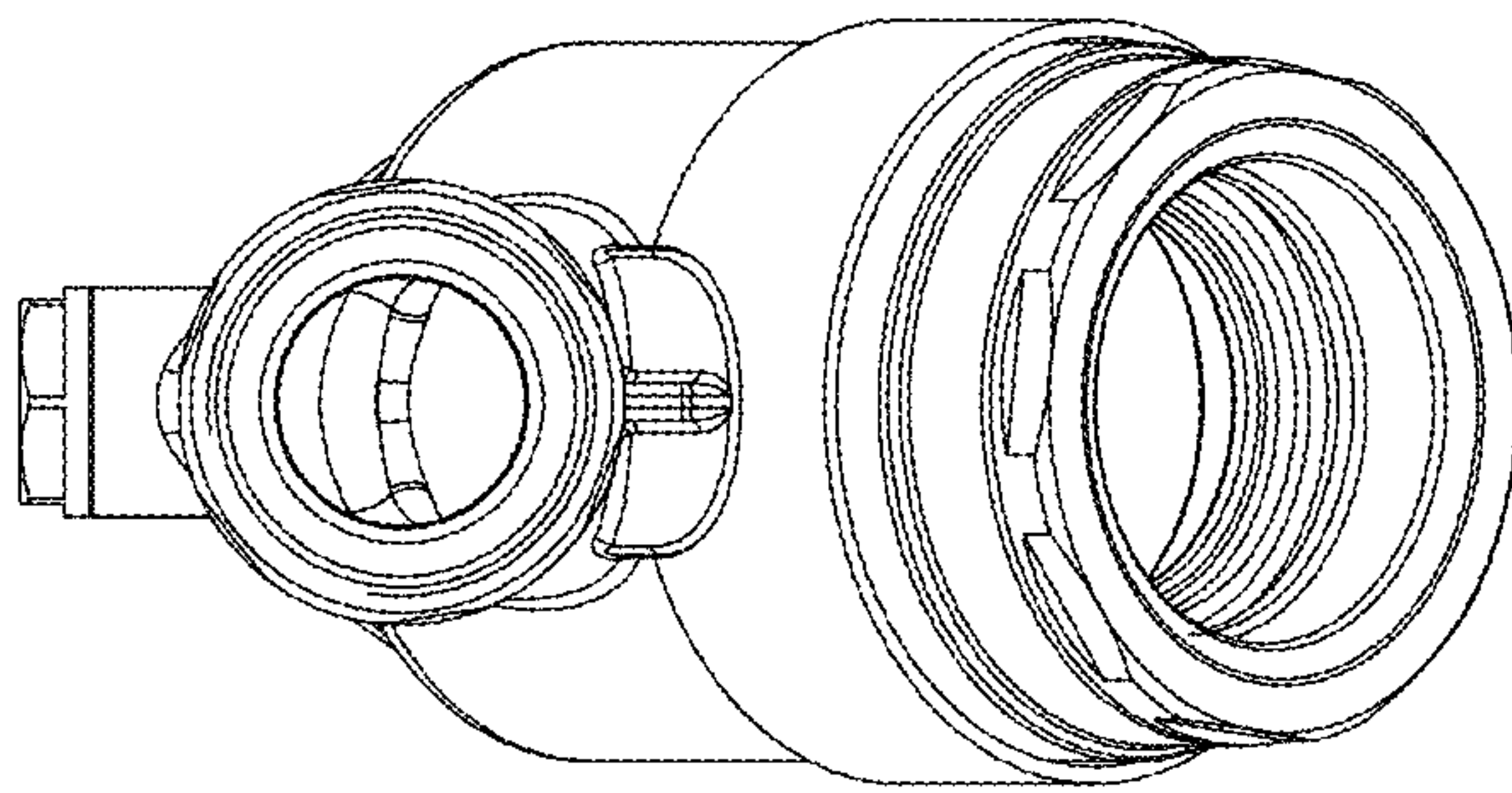


FIG.3

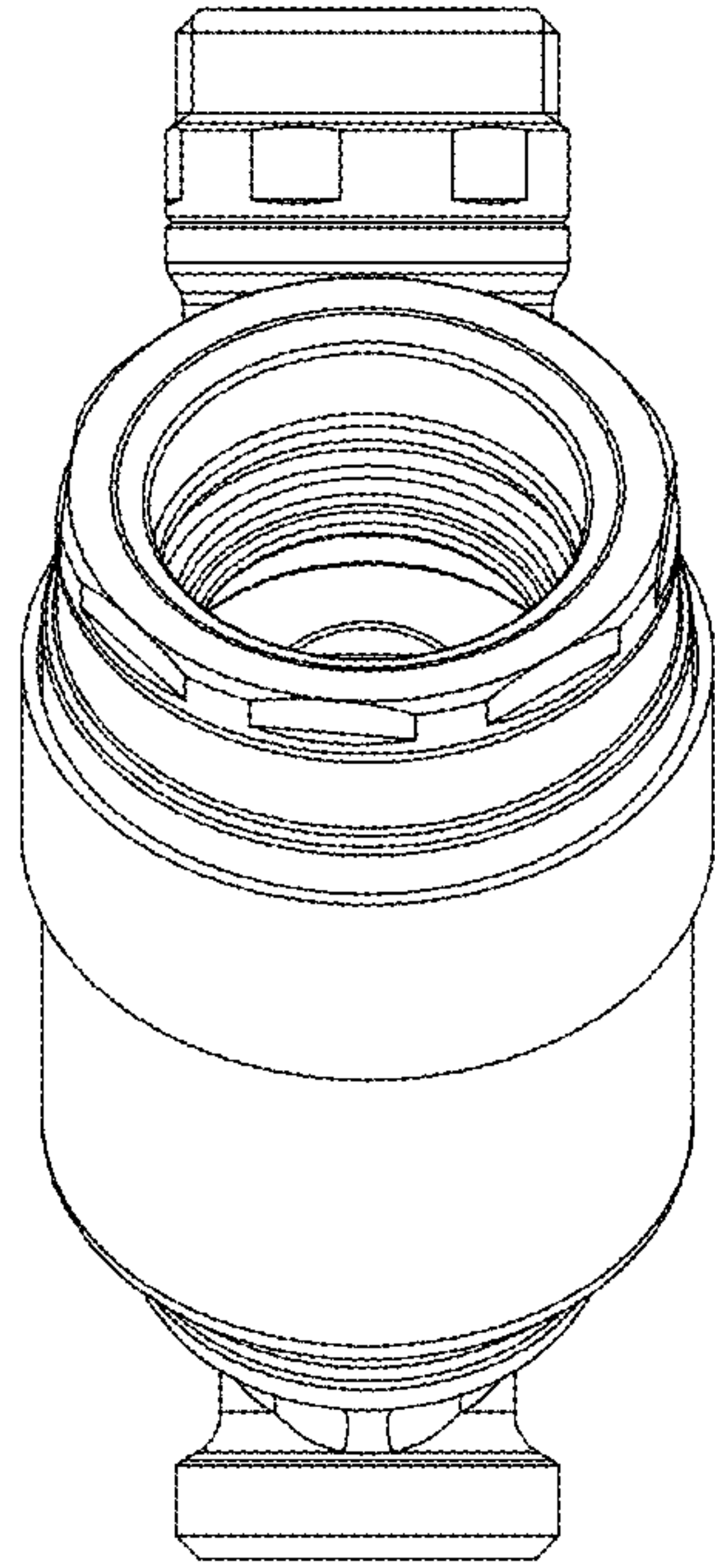


FIG.6

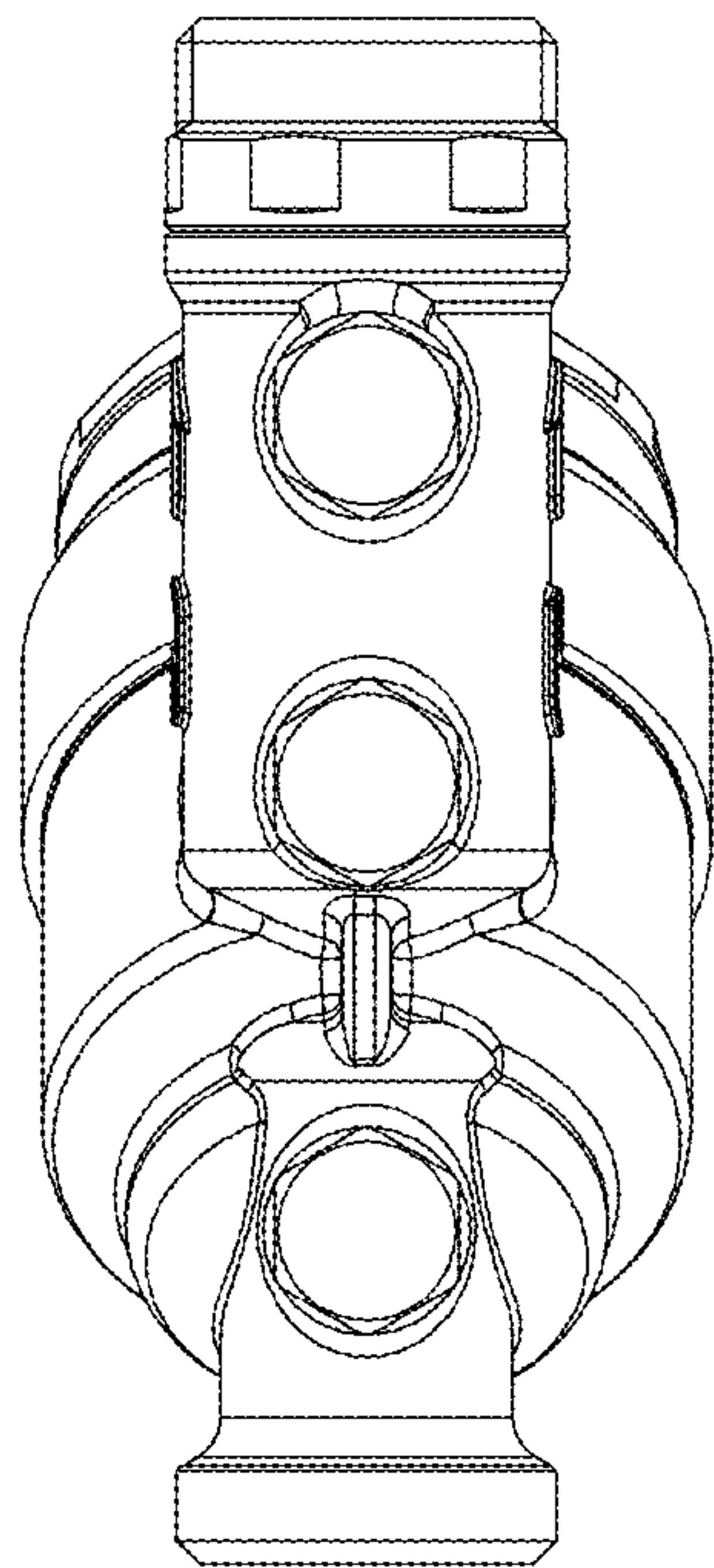


FIG.5