



US00D820389S

(12) **United States Design Patent** (10) **Patent No.:** **US D820,389 S**
Gehrung et al. (45) **Date of Patent:** **** Jun. 12, 2018**

(54) **SPRAY GUN FOR PAINT OR SIMILAR ARTICLE**

(71) Applicant: **SATA GmbH & Co. KG**, Kornwestheim (DE)

(72) Inventors: **Ralf Gehrung**, Backnang (DE); **Albercht Kruse**, Stuttgart (DE)

(73) Assignee: **SATA GmbH & Co. KG**, Kornwestheim (DE)

(**) Term: **15 Years**

(21) Appl. No.: **29/594,504**

(22) Filed: **Feb. 19, 2017**

(30) **Foreign Application Priority Data**

Aug. 19, 2016 (EM) 003347095

(51) **LOC (11) Cl.** **23-01**

(52) **U.S. Cl.**
USPC **D23/226**

(58) **Field of Classification Search**
USPC D23/213, 223, 226, 225; 239/525, 526, 239/291
CPC B05B 1/00; B05B 9/01; B05B 15/061; B05B 3/00; B05B 5/00; B05B 1/005; B05B 13/005; B05B 1/3026

See application file for complete search history.

(56) **References Cited**

U.S. PATENT DOCUMENTS

D552,213 S *	10/2007	Schmon	D23/226
D552,715 S *	10/2007	Schmon	D23/226
D644,716 S *	9/2011	Gehrung	D23/226
D740,393 S *	10/2015	Gehrung	D23/226
D754,287 S *	4/2016	Wang	D23/226
D770,593 S *	11/2016	Gehrung	D23/226
D794,755 S *	8/2017	Wang	D23/226

* cited by examiner

Primary Examiner — Robin V Webster

(74) *Attorney, Agent, or Firm* — John S. Artz; Dickinson Wright PLLC

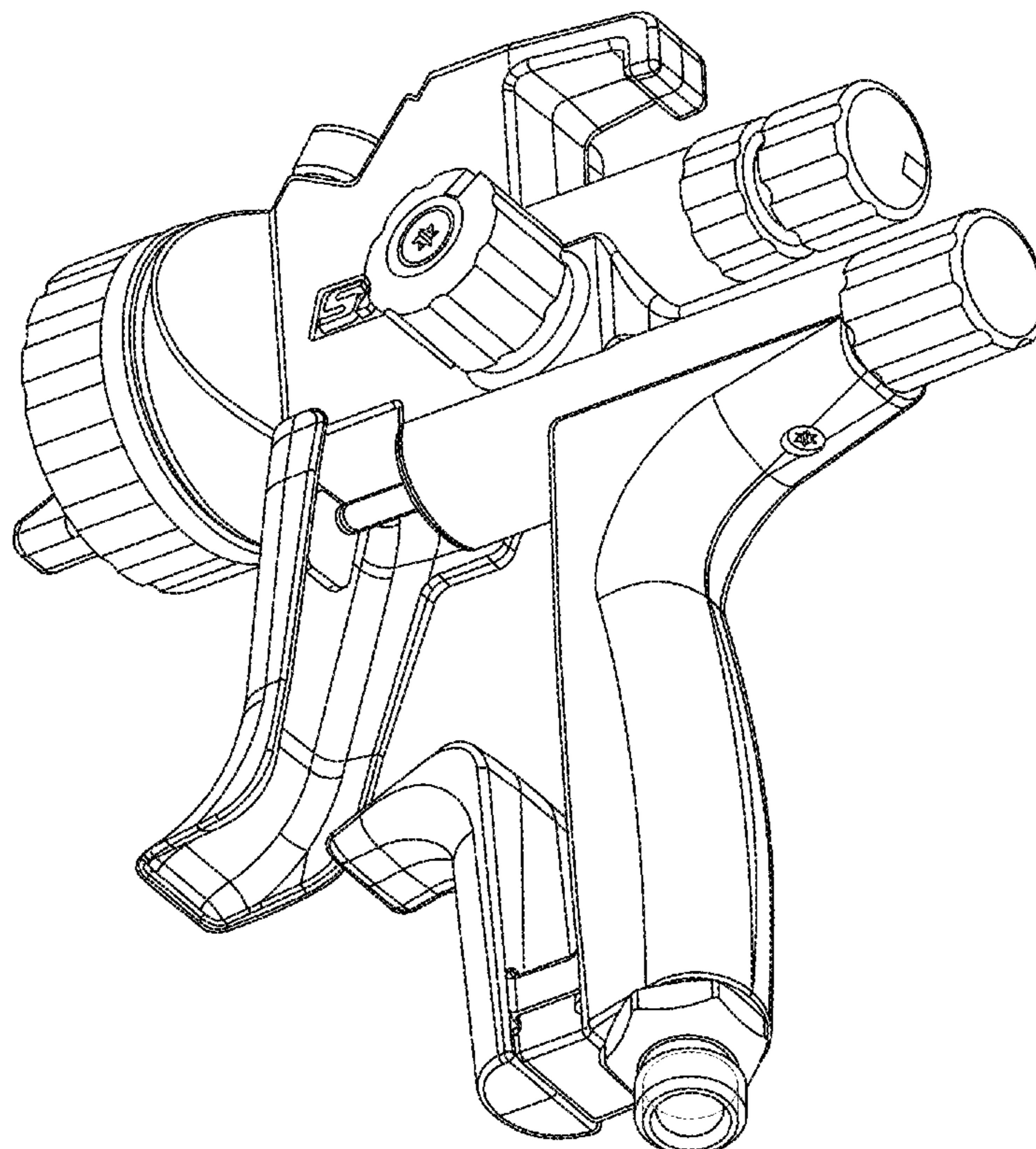
(57) **CLAIM**

The ornamental design for a spray gun for paint or similar article, as shown and described.

DESCRIPTION

FIG. 1 is a bottom and left side perspective view of a spray gun in accordance with the present design; FIG. 2 is a left side elevational view thereof; FIG. 3 is a right side elevational view thereof; FIG. 4 is a front elevational view thereof; FIG. 5 is a rear elevational view thereof; FIG. 6 is a top plan view thereof; and, FIG. 7 is a bottom plan view thereof.

1 Claim, 7 Drawing Sheets



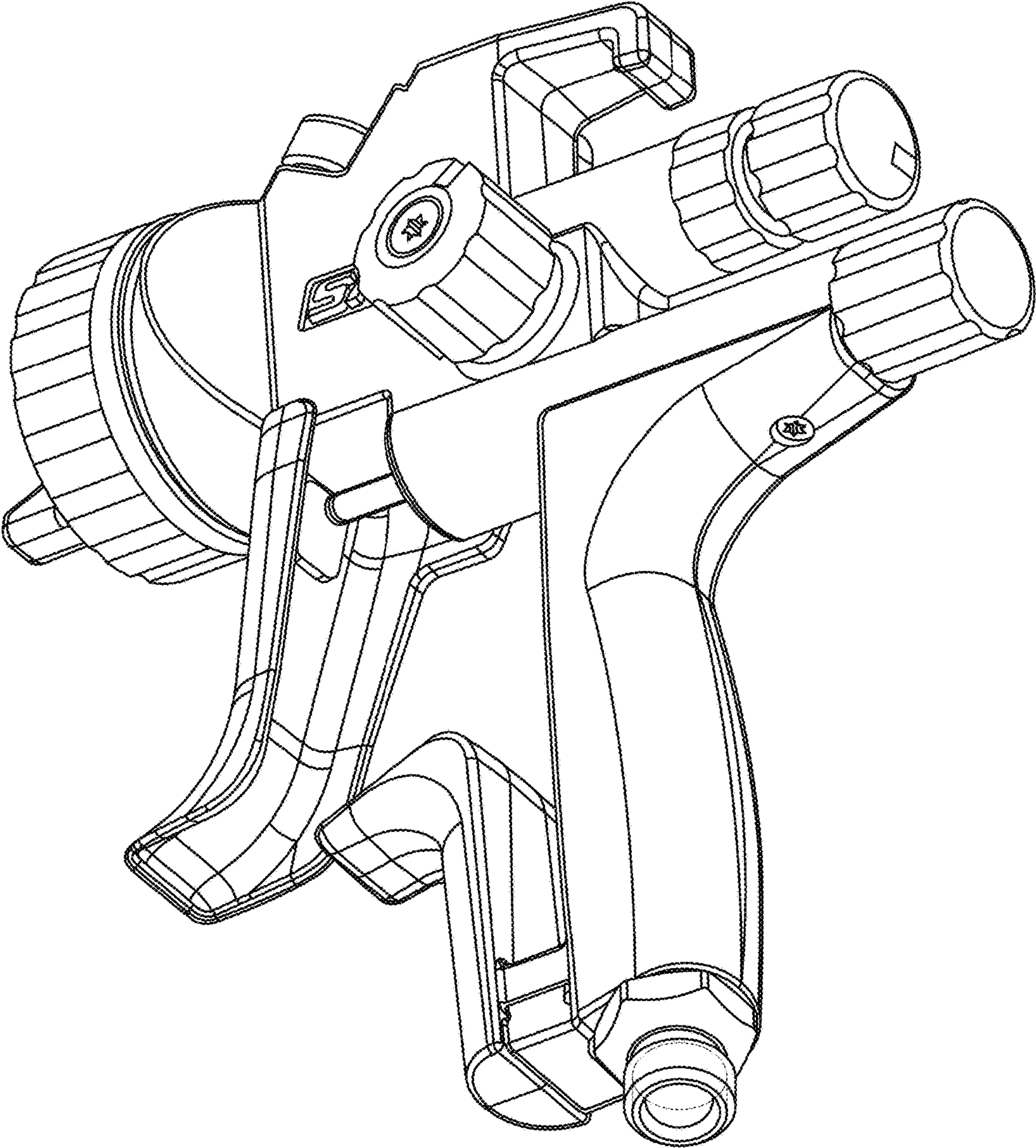


FIG. 1

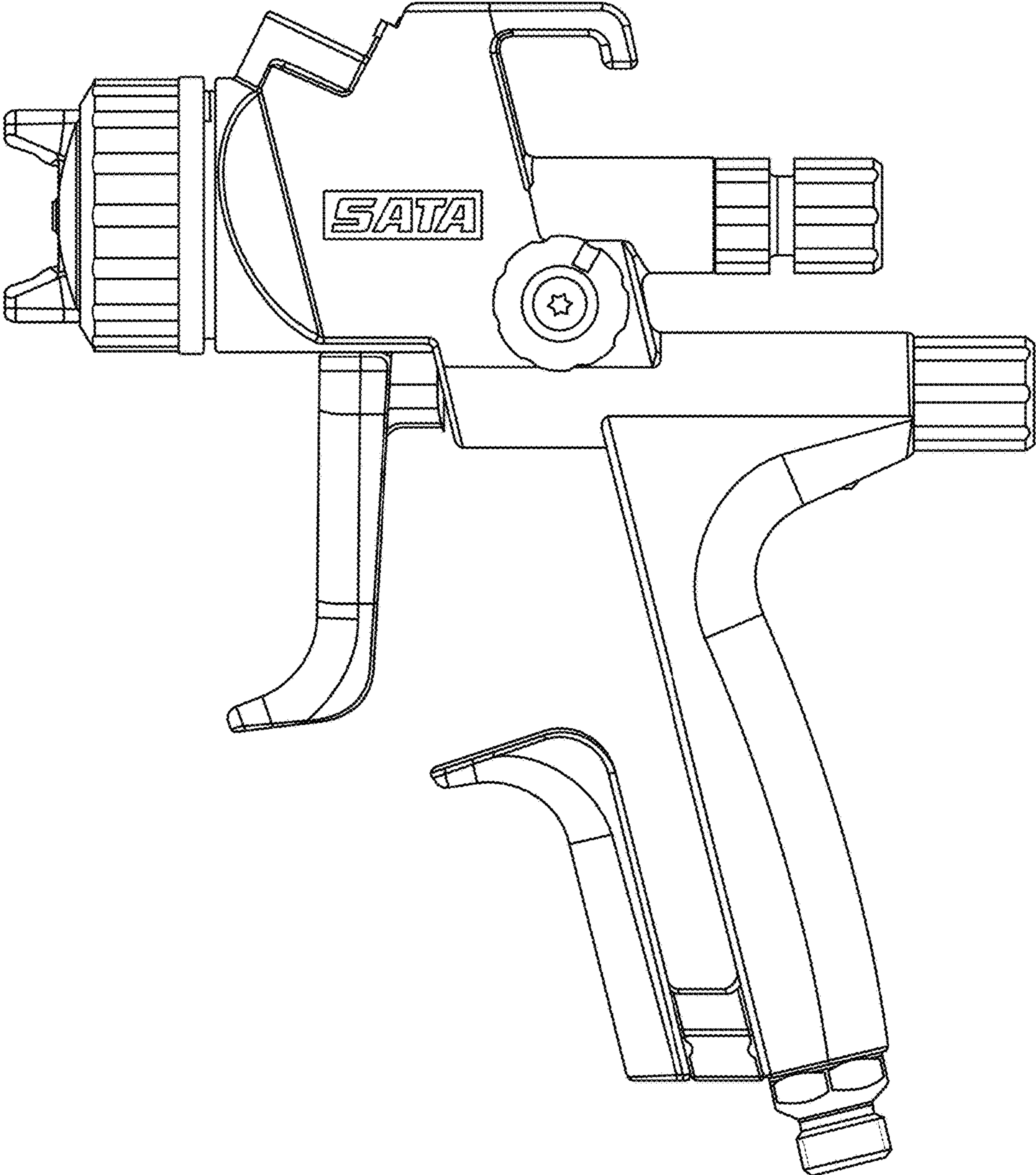


FIG. 2

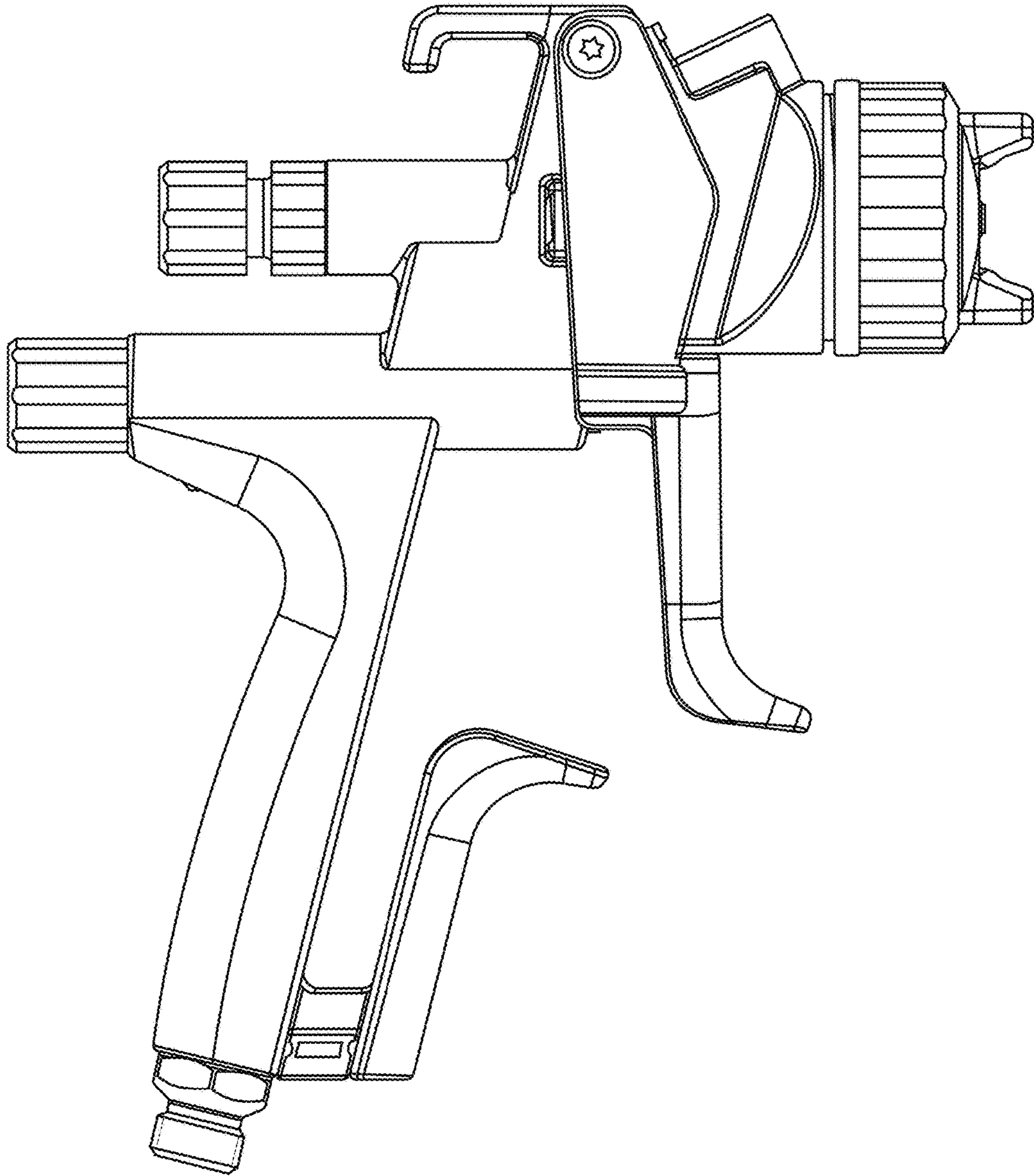


FIG. 3

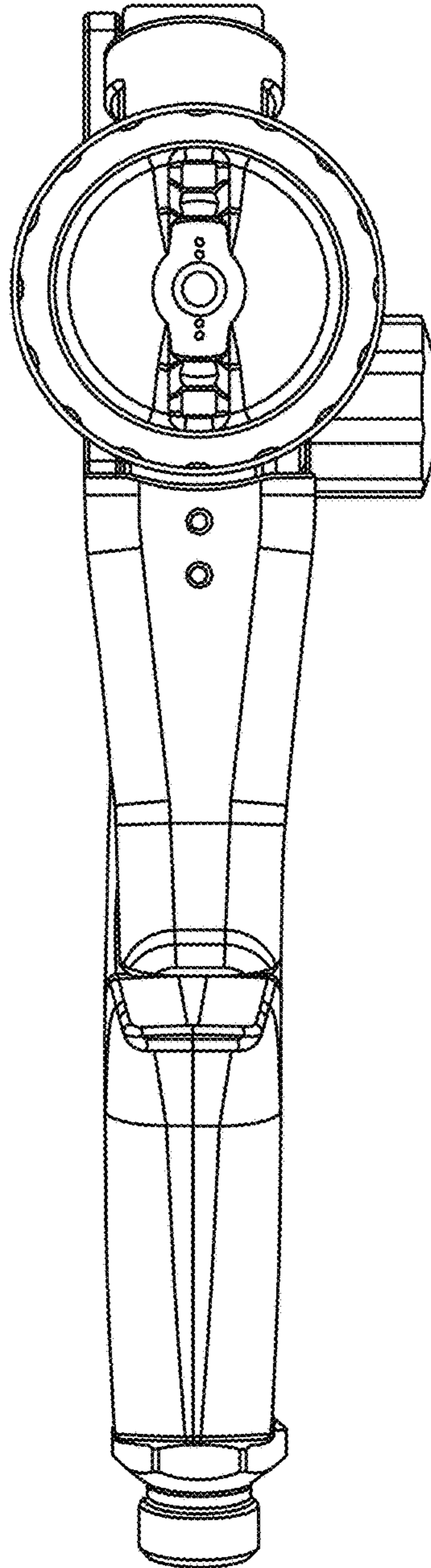


FIG. 4

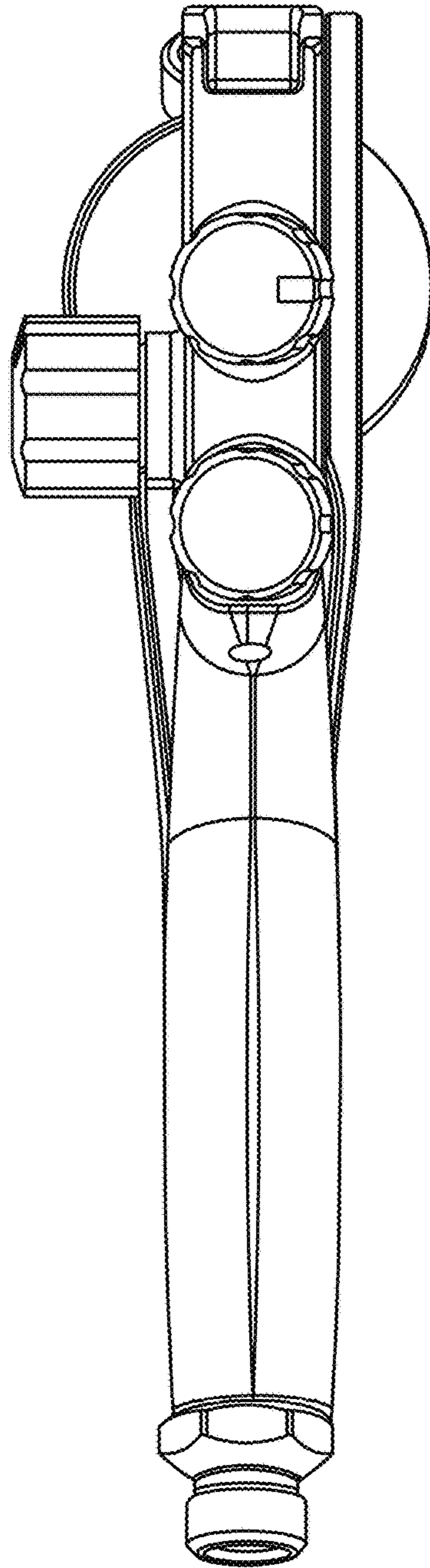


FIG. 5

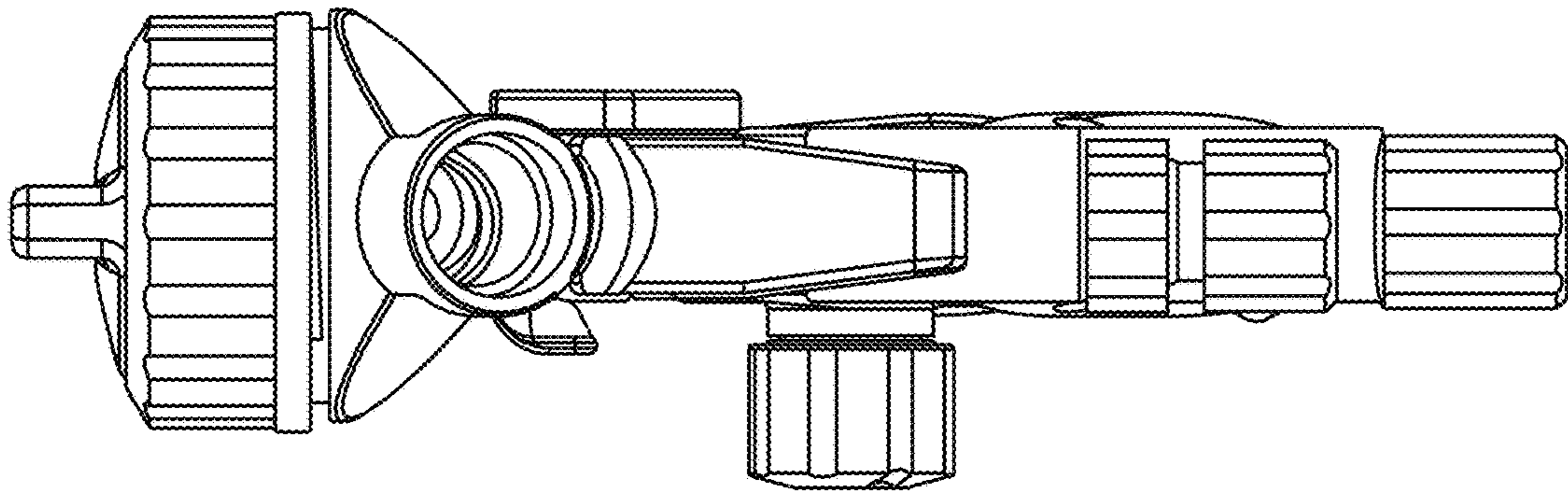


FIG. 6

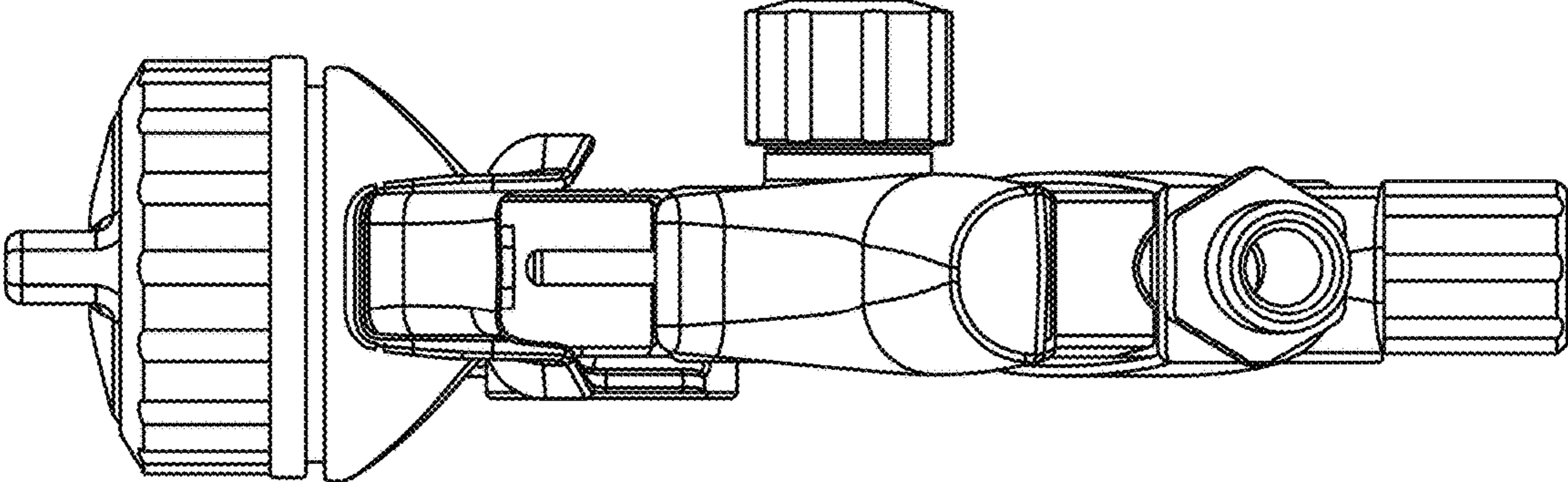


FIG. 7