



US00D820388S

(12) **United States Design Patent**
Seum et al.

(10) **Patent No.:** **US D820,388 S**

(45) **Date of Patent:** **** Jun. 12, 2018**

(54) **SHOWER HEAD**

(71) Applicant: **Grohe AG**, Hemer (DE)

(72) Inventors: **Michael Seum**, Duesseldorf (DE);
Duarte Salvador, Duesseldorf (DE)

(73) Assignee: **Grohe AG**, Hemer (DE)

(**) Term: **15 Years**

(21) Appl. No.: **29/604,019**

(22) Filed: **May 15, 2017**

(30) **Foreign Application Priority Data**

Nov. 15, 2016 (EM) 003464379-0001

(51) **LOC (11) Cl.** **23-01**

(52) **U.S. Cl.**
USPC **D23/213**

(58) **Field of Classification Search**
USPC D23/213, 229, 230; 239/556, 566, 548,
239/282
CPC .. B05B 1/18; B05B 1/14; B05B 1/185; B05B
3/0486; E03C 1/06
See application file for complete search history.

(56) **References Cited**

U.S. PATENT DOCUMENTS

D524,410 S * 7/2006 Tse D23/229
D607,970 S * 1/2010 Schoenherr D23/213
D639,385 S * 6/2011 Flowers D23/213

D681,781 S * 5/2013 Cutler D23/229
D694,359 S * 11/2013 Schoenherr D23/213
D707,328 S * 6/2014 Schoenherr D23/213
D713,496 S * 9/2014 Schoenherr D23/213
D733,257 S * 6/2015 Schoenherr D23/213
D738,991 S * 9/2015 Brodey D23/213
D751,175 S * 3/2016 Schoenherr D23/213
D751,176 S * 3/2016 Schoenherr D23/213
D752,708 S * 3/2016 Chung D23/213
D752,711 S * 3/2016 Georgeson D23/213
D770,012 S * 10/2016 Flowers D23/213

* cited by examiner

Primary Examiner — Robin V Webster

(74) *Attorney, Agent, or Firm* — Muncy, Geissler, Olds & Lowe, P.C.

(57) **CLAIM**

The ornamental design for a shower head, as shown and described.

DESCRIPTION

FIG. 1 is a front perspective view of a shower head according to the present invention.

FIG. 2 is a front view of the shower head of FIG. 1.

FIG. 3 is a rear view of the shower head of FIG. 1.

FIG. 4 is a left side view of the shower head of FIG. 1.

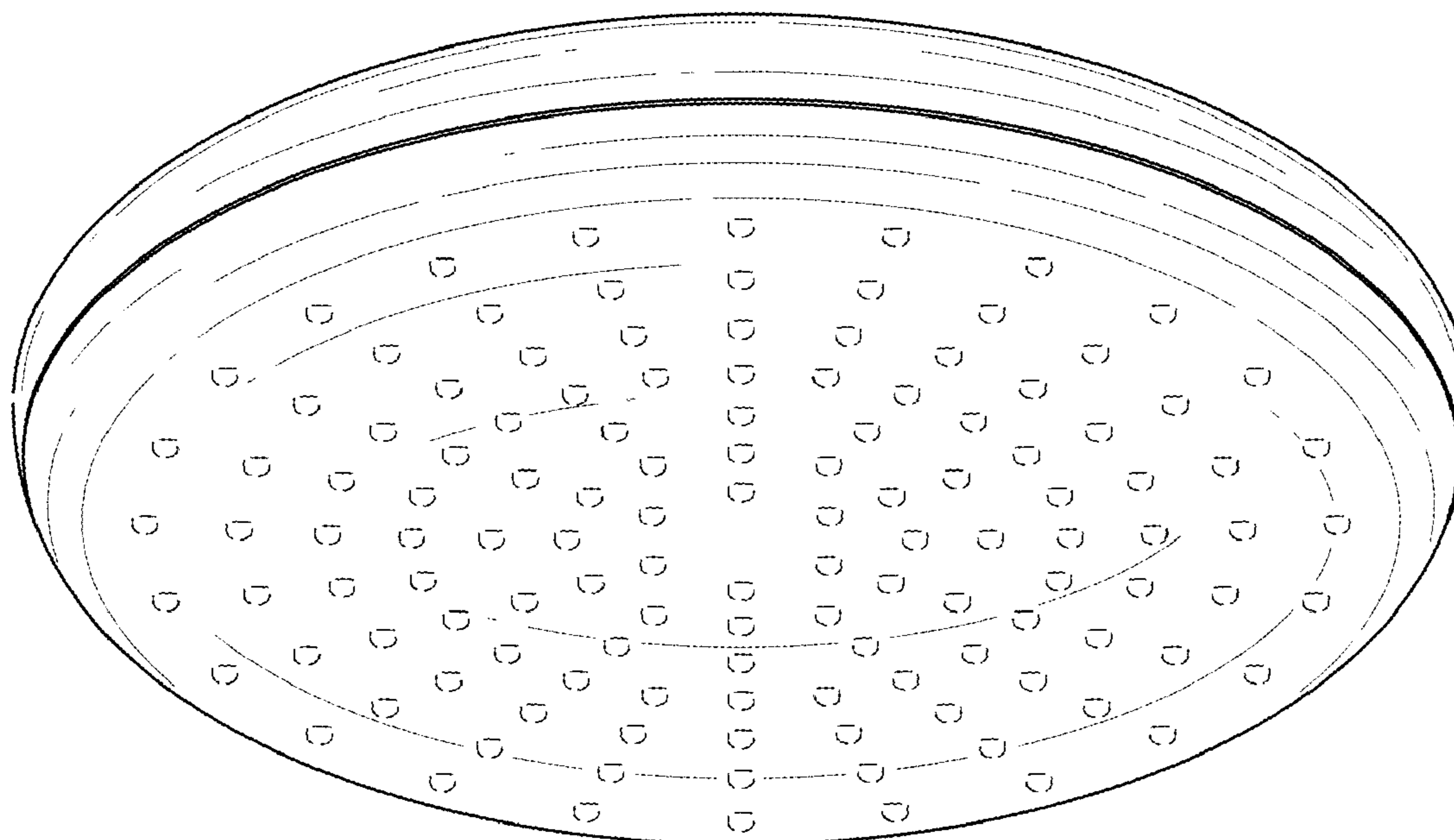
FIG. 5 is a right side view of the shower head of FIG. 1.

FIG. 6 is a top view of the shower head of FIG. 1; and,

FIG. 7 is a bottom view of the shower head of FIG. 1.

The dashed lines illustrate environment that does not form a part of the present invention, and no claim is made to the material illustrated with dashed lines.

1 Claim, 7 Drawing Sheets



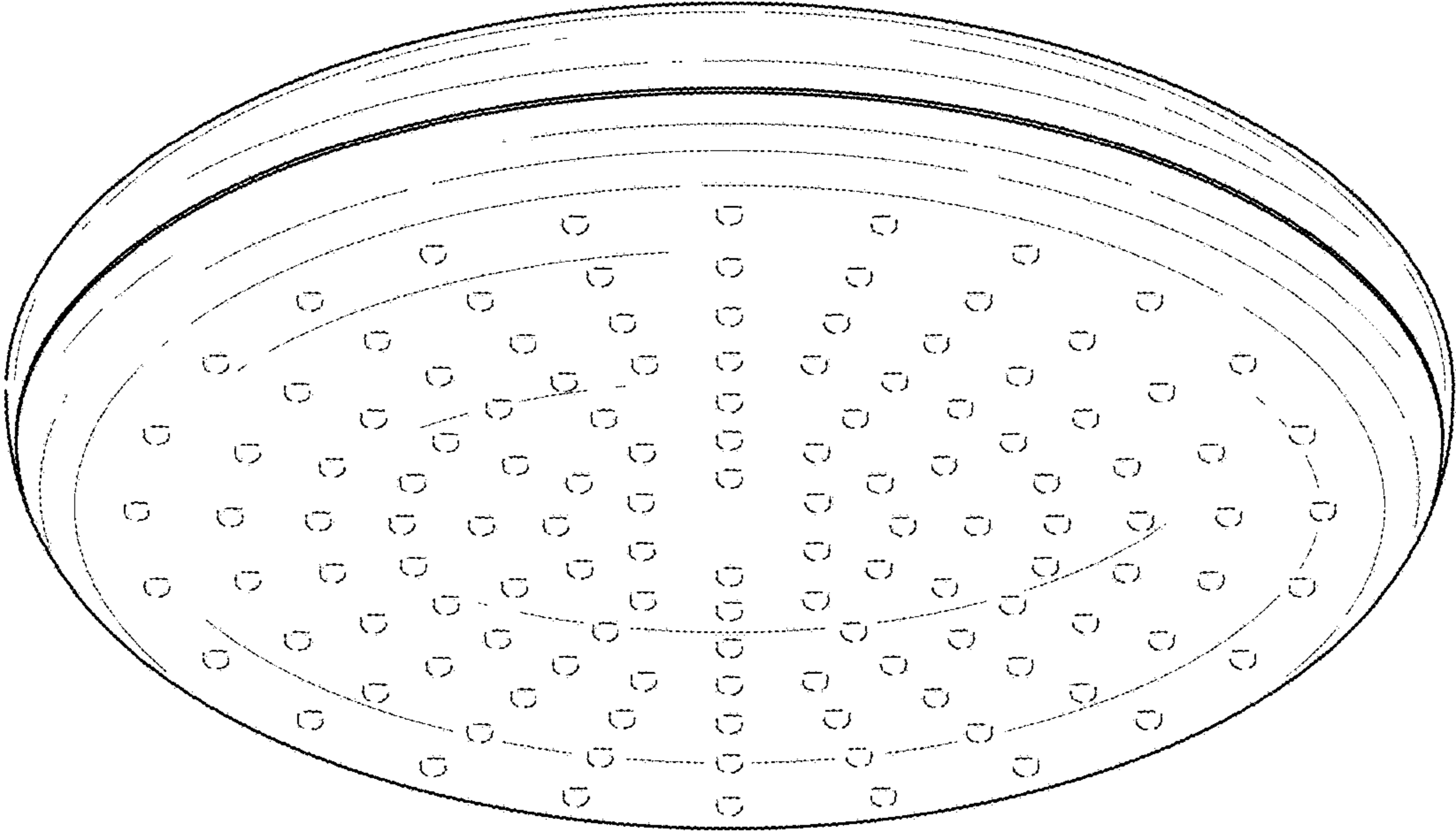


FIG.1

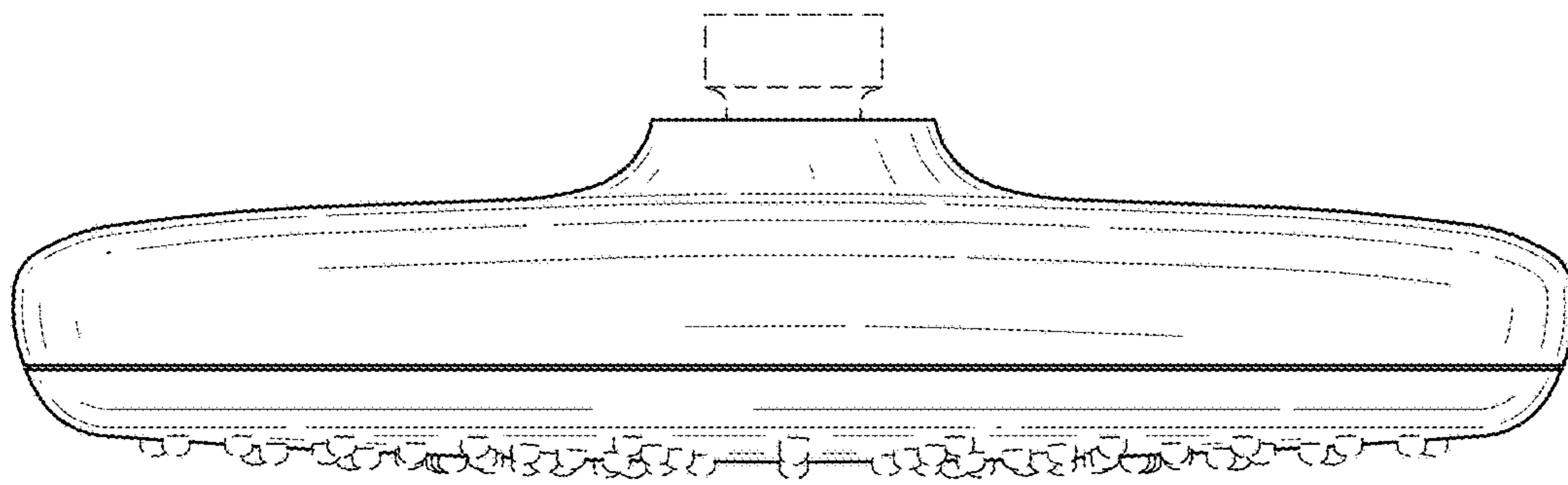


FIG.2

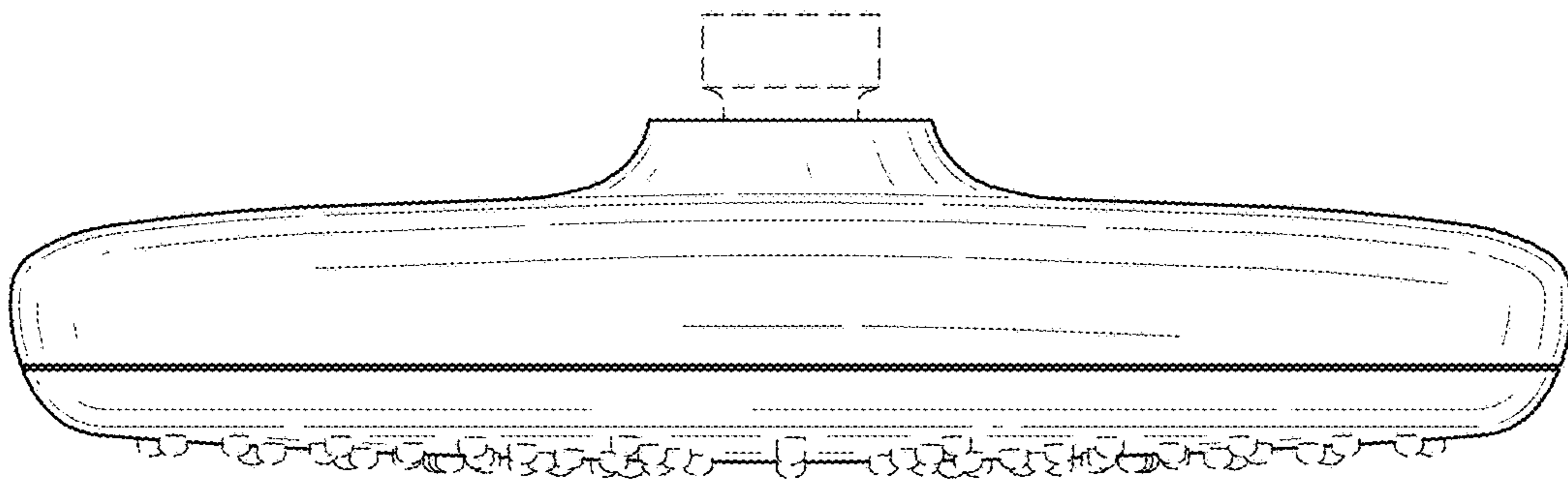


FIG.3

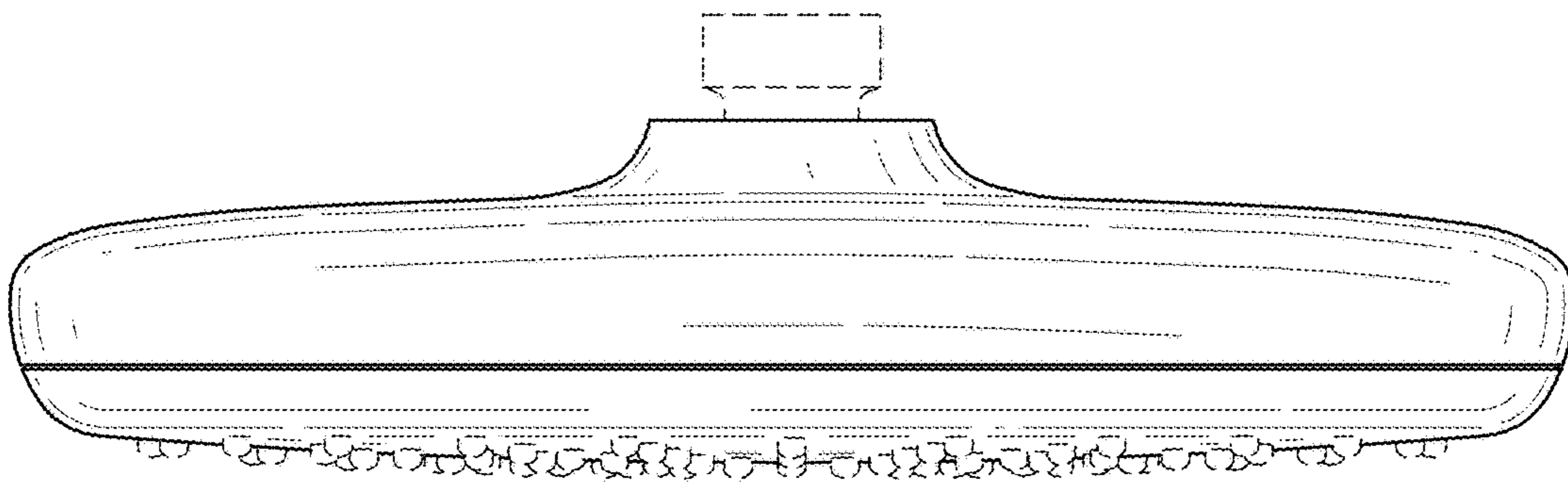


FIG. 4

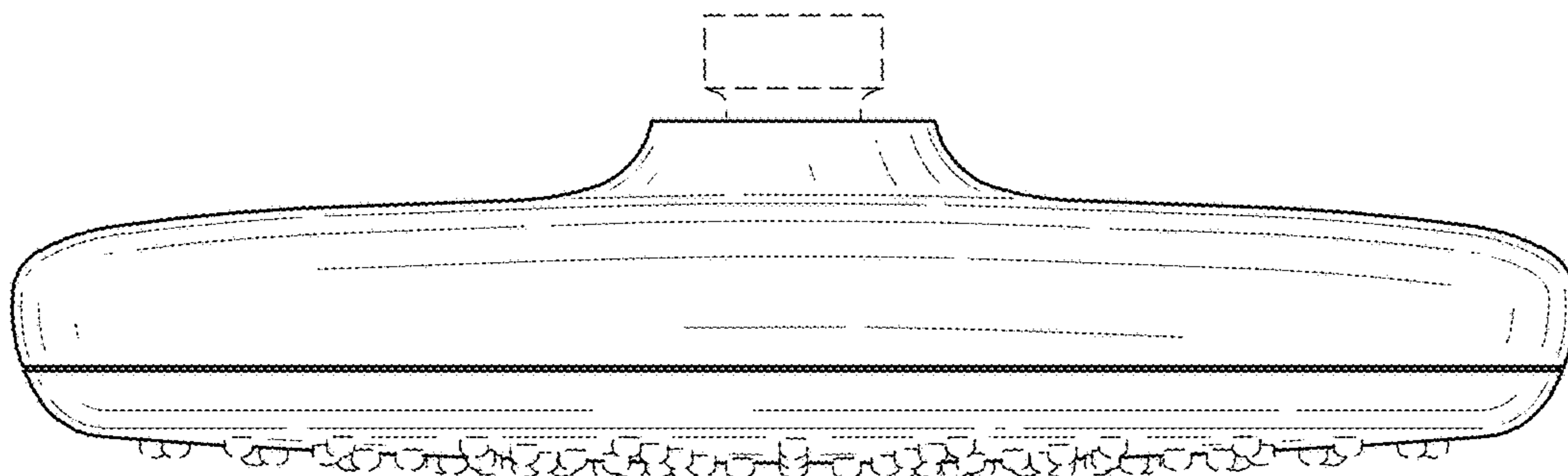


FIG.5

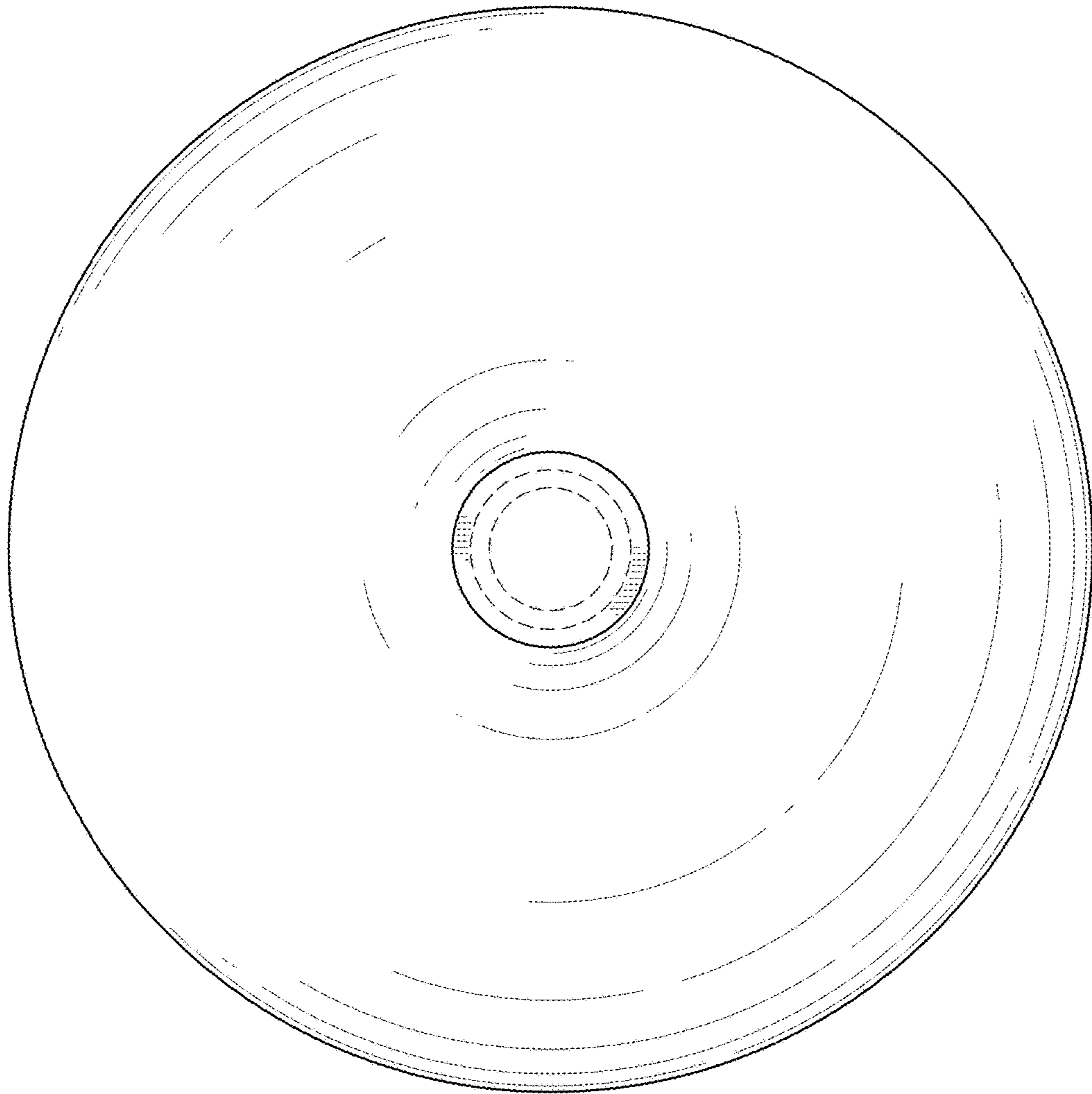


FIG. 6

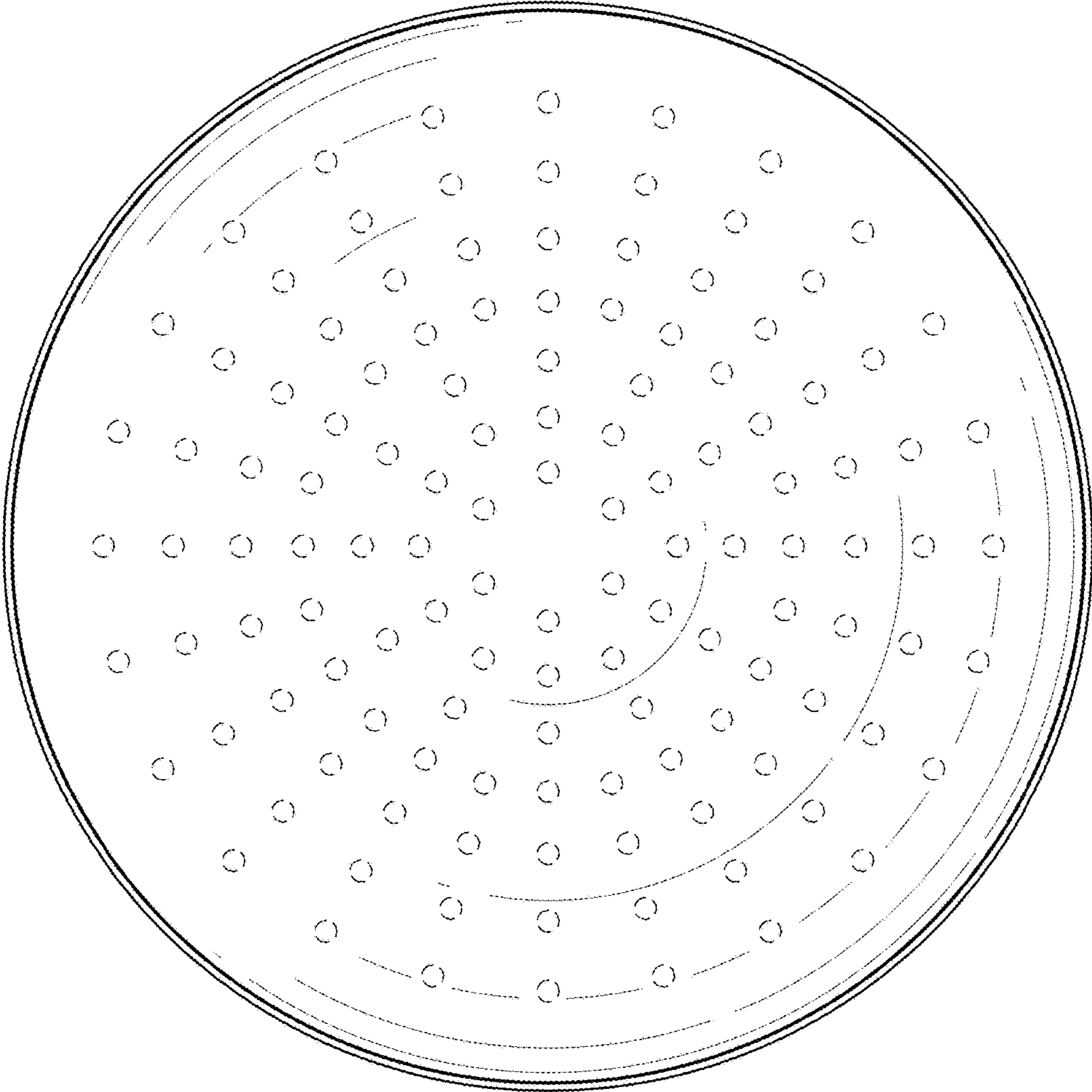


FIG.7