



US00D820385S

(12) **United States Design Patent** (10) **Patent No.:** **US D820,385 S**
Bell et al. (45) **Date of Patent:** **** Jun. 12, 2018**

(54) **WATER FILTER HOUSING**
(71) Applicant: **Brita LP**, Oakland, CA (US)
(72) Inventors: **Russell E. Bell**, Pleasanton, CA (US);
Sara Balander, Pleasanton, CA (US);
Scot Herbst, Santa Cruz, CA (US)
(73) Assignee: **Brita LP**, Oakland, CA (US)
(**) Term: **15 Years**
(21) Appl. No.: **29/587,594**
(22) Filed: **Dec. 14, 2016**
(51) **LOC (11) Cl.** **23-01**
(52) **U.S. Cl.**
USPC **D23/209**
(58) **Field of Classification Search**
USPC D23/209, 207, 210; 210/282, 464;
D7/392, 667; D12/218
CPC B01D 35/00; B01D 35/35; B01D 35/153;
B01D 27/02; B01D 27/14; C02F 1/00;
C02F 1/003
See application file for complete search history.

D388,154 S 12/1997 Pesa
5,980,743 A 11/1999 Bairischer
6,012,232 A 1/2000 Weyrauch
6,042,725 A 3/2000 Serenko et al.
D435,084 S * 12/2000 Northen D23/209
D448,448 S * 9/2001 Hughes D23/209
6,387,260 B1 5/2002 Pimenov et al.
6,405,875 B1 6/2002 Cutler
6,454,941 B1 9/2002 Cutler et al.
6,458,303 B1 10/2002 Fuehrer et al.
6,524,477 B1 2/2003 Hughes
6,638,426 B1 * 10/2003 Fritter B01D 36/001
210/266
6,841,067 B1 1/2005 Hofmann et al.
D529,127 S * 9/2006 Cueman D23/209

(Continued)

FOREIGN PATENT DOCUMENTS

WO W09610676 A1 4/1996
Primary Examiner — Robin V Webster
Assistant Examiner — James C Thorn, Sr.
(74) *Attorney, Agent, or Firm* — Thomas C. Feix

(57) **CLAIM**

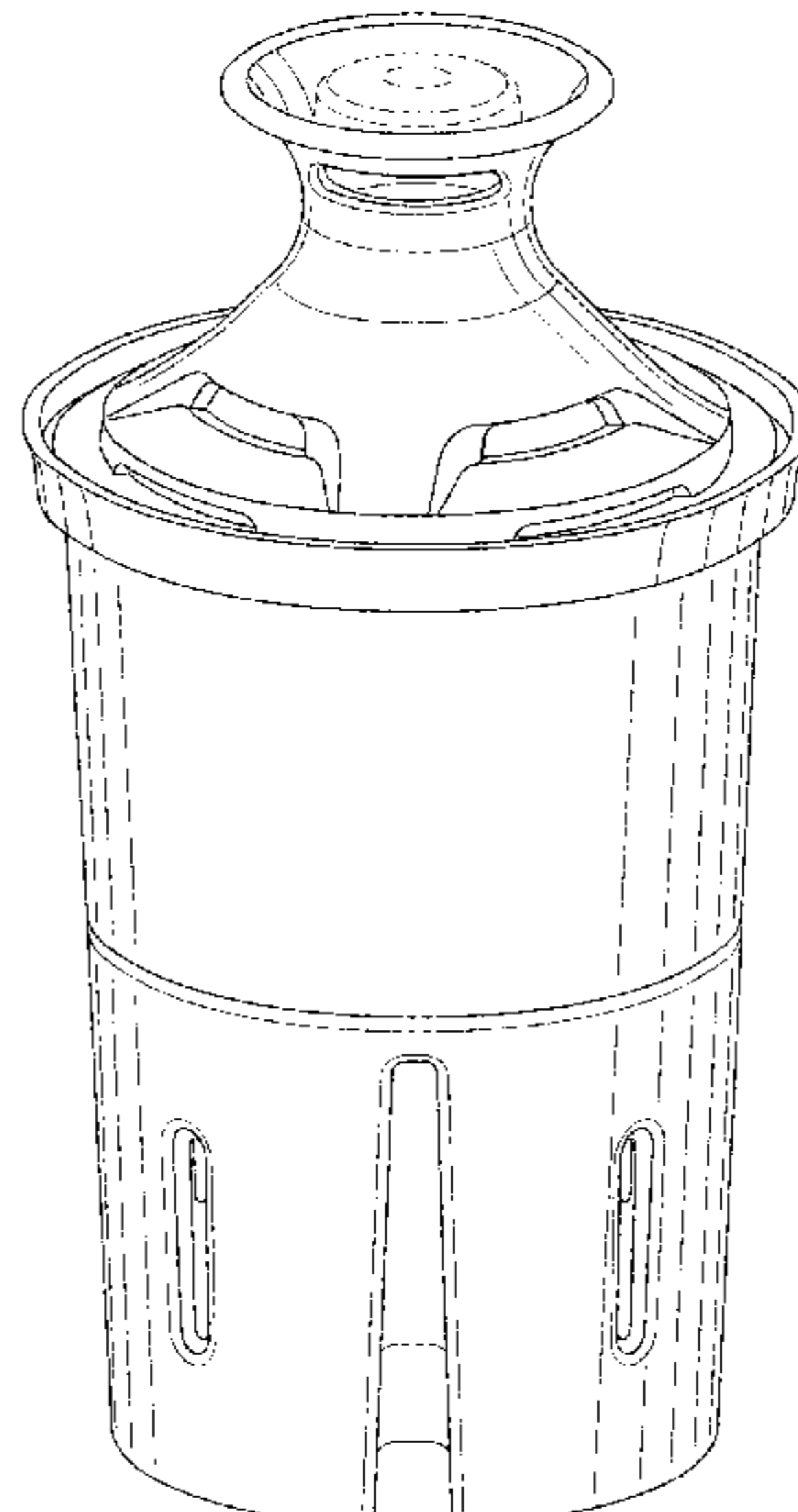
The ornamental design for a water filter housing, as shown and described.

DESCRIPTION

FIG. 1 is a front perspective view of a water filter housing of the present invention;
FIG. 2 is a top view thereof;
FIG. 3 is a bottom view thereof;
FIG. 4 is a left side view thereof,
FIG. 5 is a right side view thereof,
FIG. 6 is a front side view thereof; and,
FIG. 7 is a back side view thereof.
The broken lines shown in the drawings are included for the purpose of illustrating environmental structure and form no part of the claimed design.

1 Claim, 4 Drawing Sheets

(56) **References Cited**
U.S. PATENT DOCUMENTS
D263,078 S 2/1982 Eddleman et al.
4,895,648 A 1/1990 Hankammer
4,969,996 A * 11/1990 Hankammer B01D 36/001
210/282
D312,863 S * 12/1990 Hankammer D23/209
4,978,449 A 12/1990 Devine et al.
5,002,665 A * 3/1991 Brueggemann B01D 24/04
210/266
5,049,272 A 9/1991 Nieweg
D320,640 S 10/1991 Goodwin
D370,711 S 6/1996 Serenko et al.
D372,069 S 7/1996 Brancazio et al.
D374,911 S 10/1996 Kahana
D380,535 S * 7/1997 Joergensen D23/209



(56)

References Cited

U.S. PATENT DOCUMENTS

D562,430	S *	2/2008	Slawomir	D23/209
D565,149	S	3/2008	Slawomir		
D566,808	S	4/2008	Slawomir		
7,387,729	B2	6/2008	Vandenbelt et al.		
D579,515	S *	10/2008	Bell	D23/209
D590,475	S *	4/2009	Bell	D23/209
7,695,615	B2	4/2010	Vinogradova et al.		
D618,761	S *	6/2010	Reid	D23/209
D642,658	S *	8/2011	Cumberland	D23/209
D643,090	S *	8/2011	Cumberland	D23/209
8,021,548	B2	9/2011	Gross et al.		
D647,594	S *	10/2011	Bridges	D23/209
D684,009	S	6/2013	Bell et al.		
8,673,147	B2	3/2014	Merz et al.		
9,132,369	B2 *	9/2015	Bell	B01D 35/30
D773,607	S *	12/2016	Lu	D23/209
2011/0089103	A1	4/2011	Bommi et al.		
2011/0259207	A1	10/2011	Ozanne et al.		
2014/0027368	A1 *	1/2014	Bell	B01D 35/30 210/266
2014/0034579	A1 *	2/2014	Cagnoni	C02F 1/003 210/681
2014/0263020	A1	9/2014	MacDonald		
2016/0243469	A1 *	8/2016	Shmidt	C02F 1/003

* cited by examiner

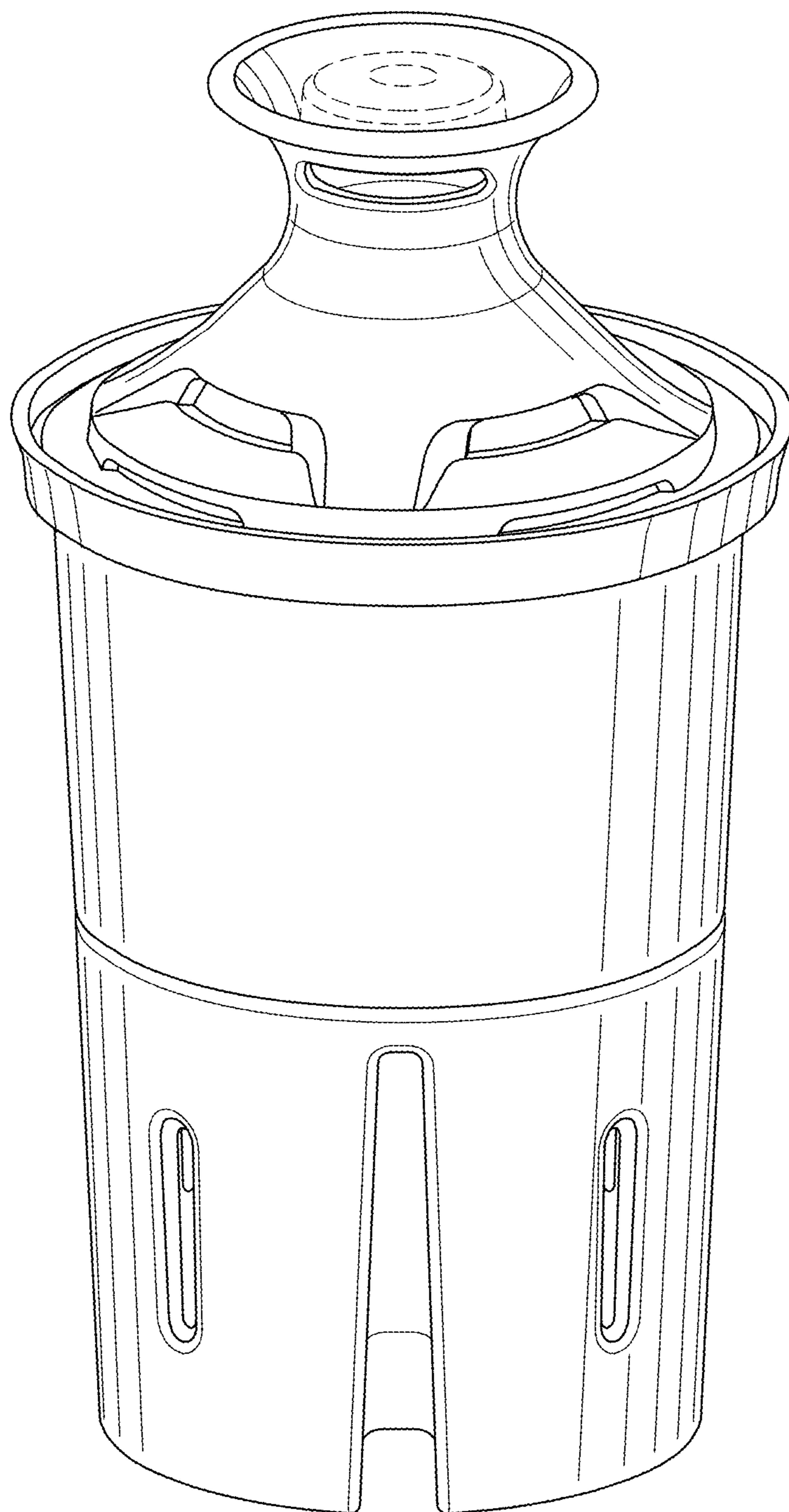


FIG. 1

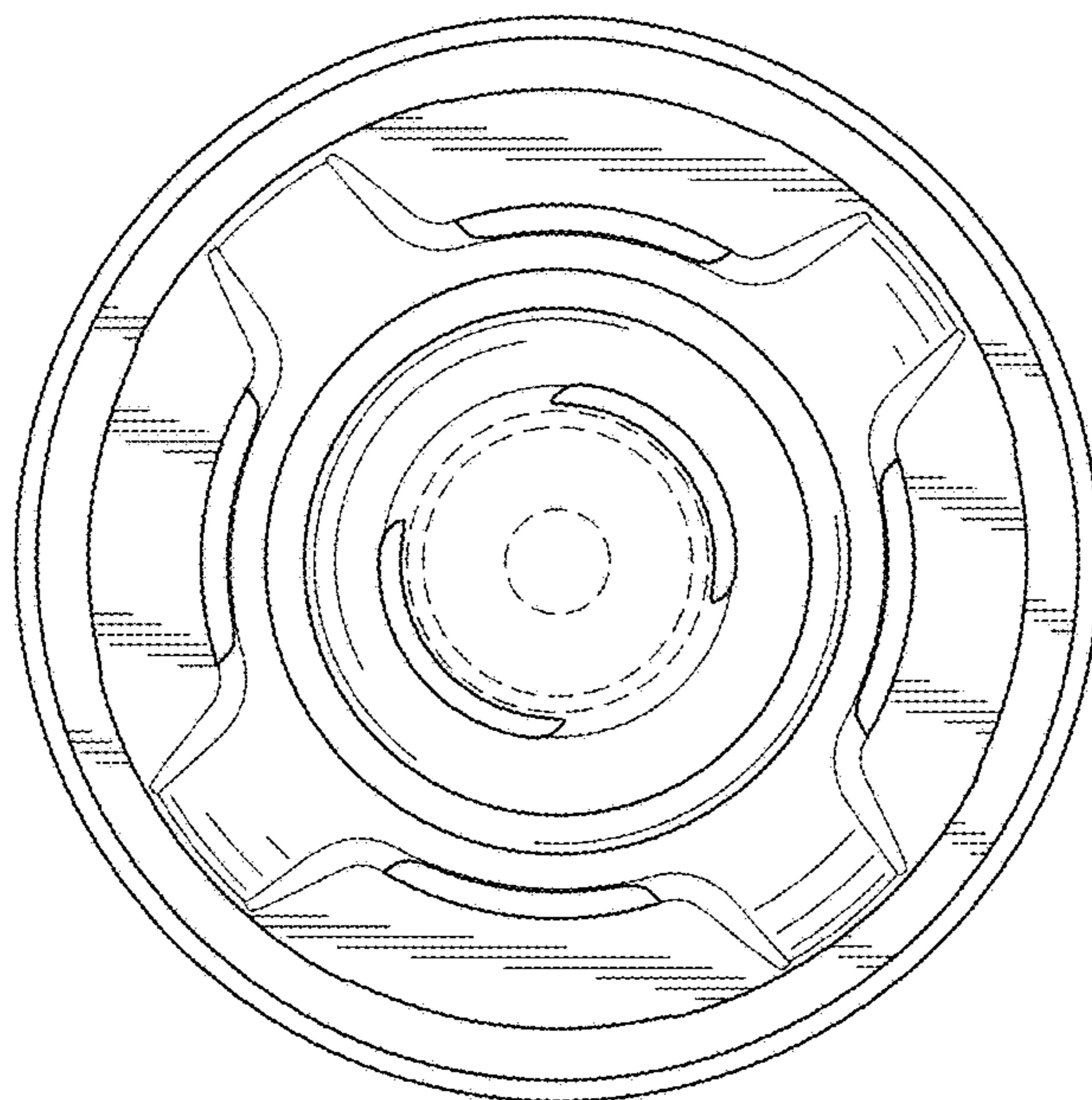


FIG. 2

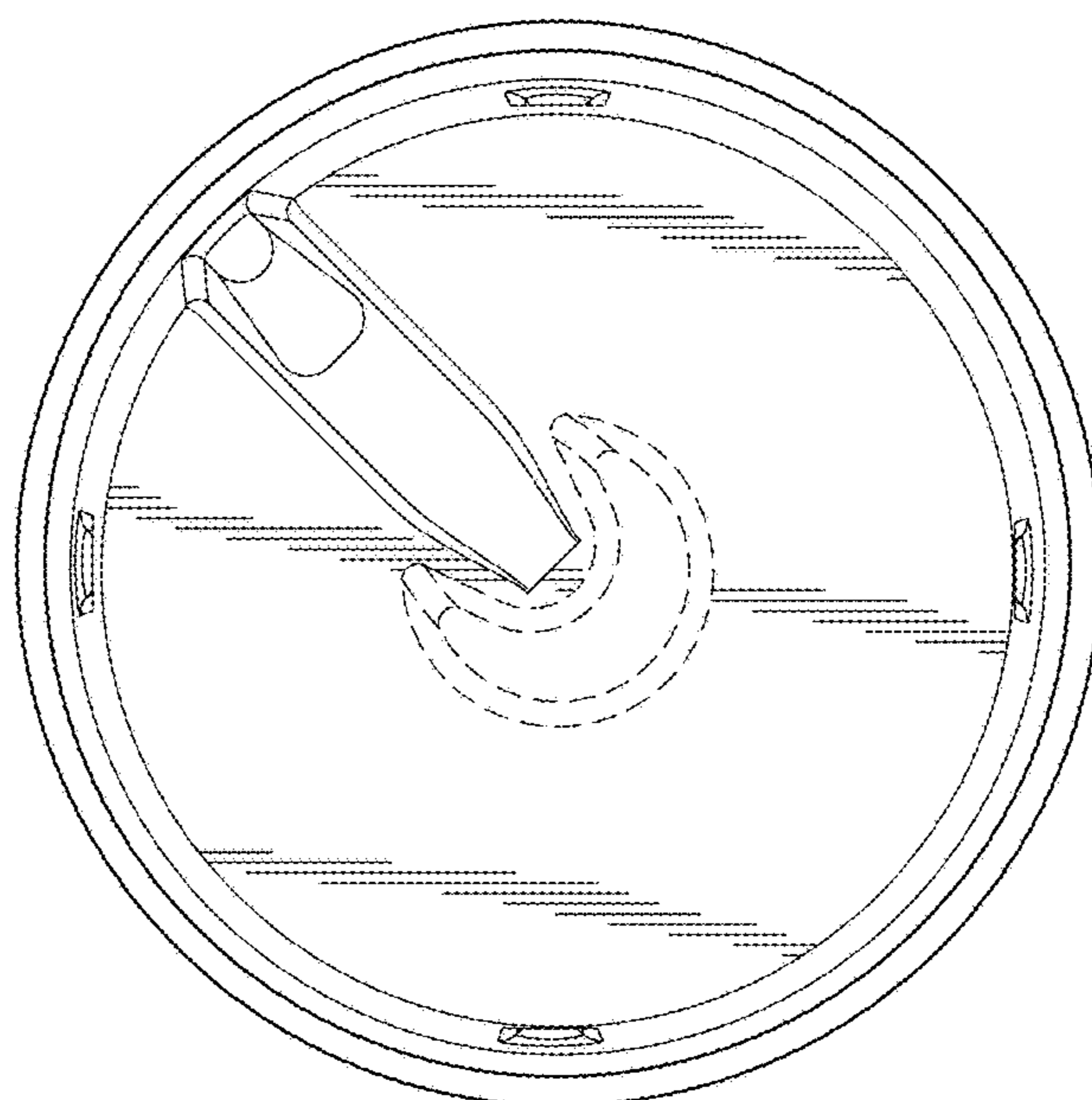


FIG. 3

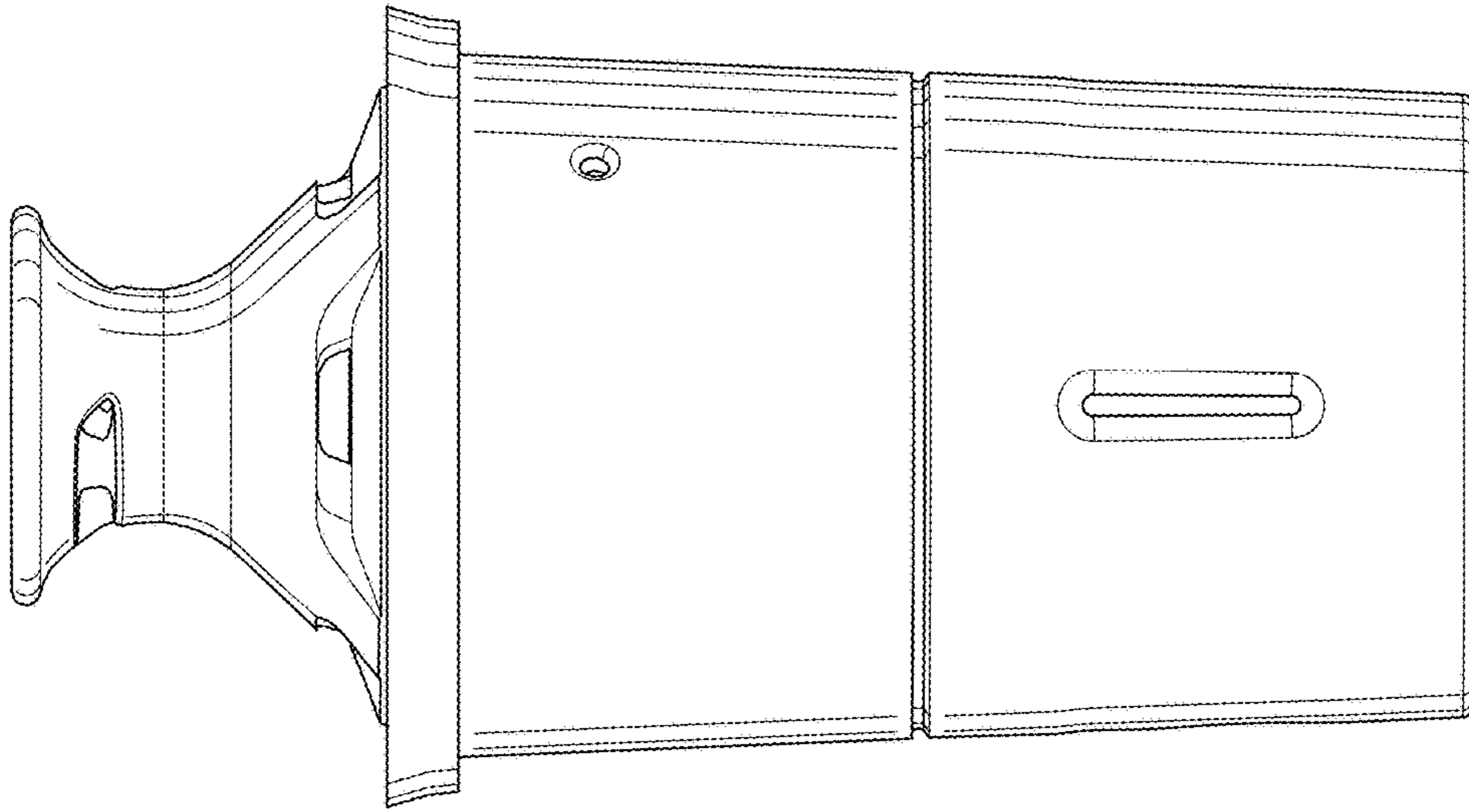


FIG. 5

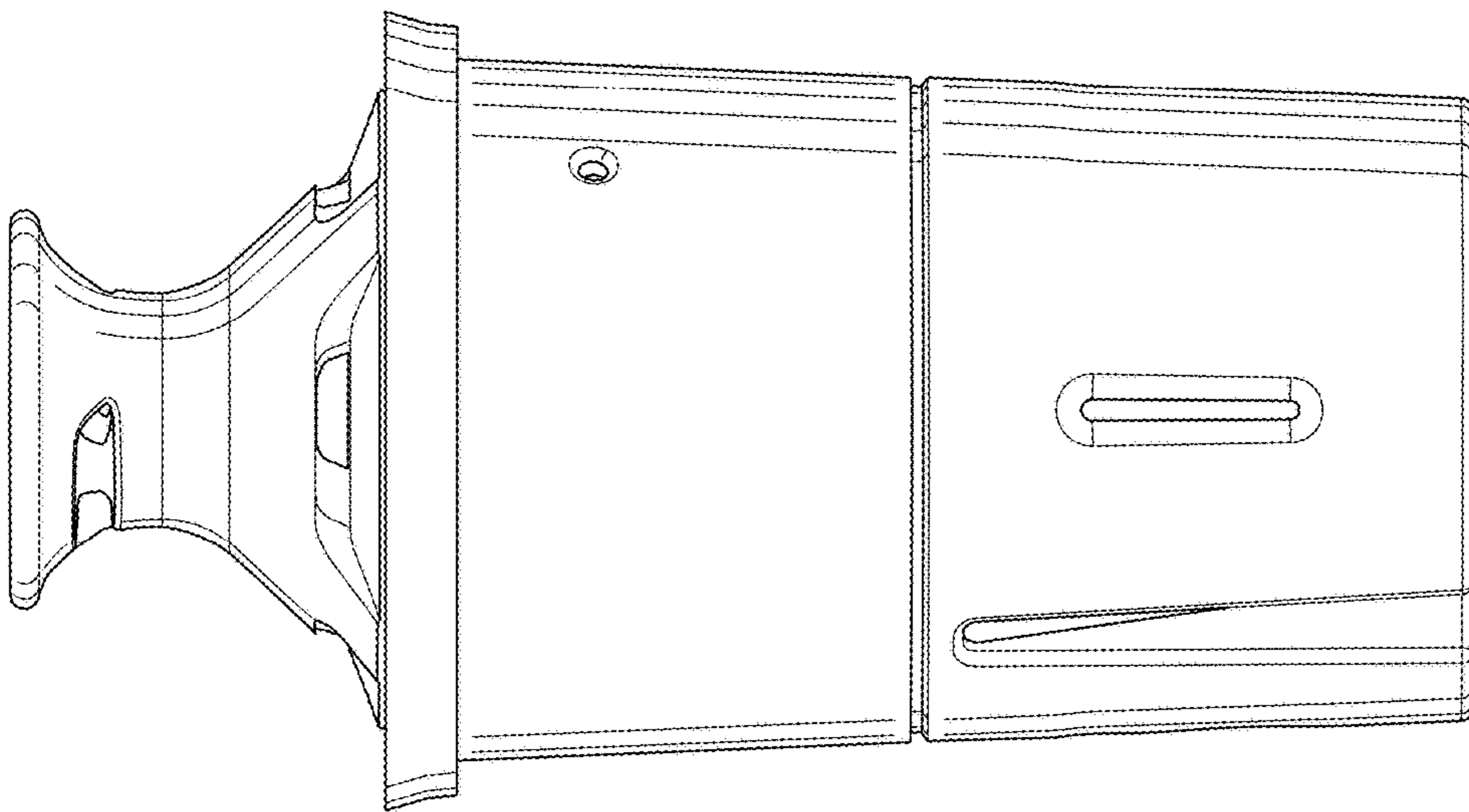


FIG. 4

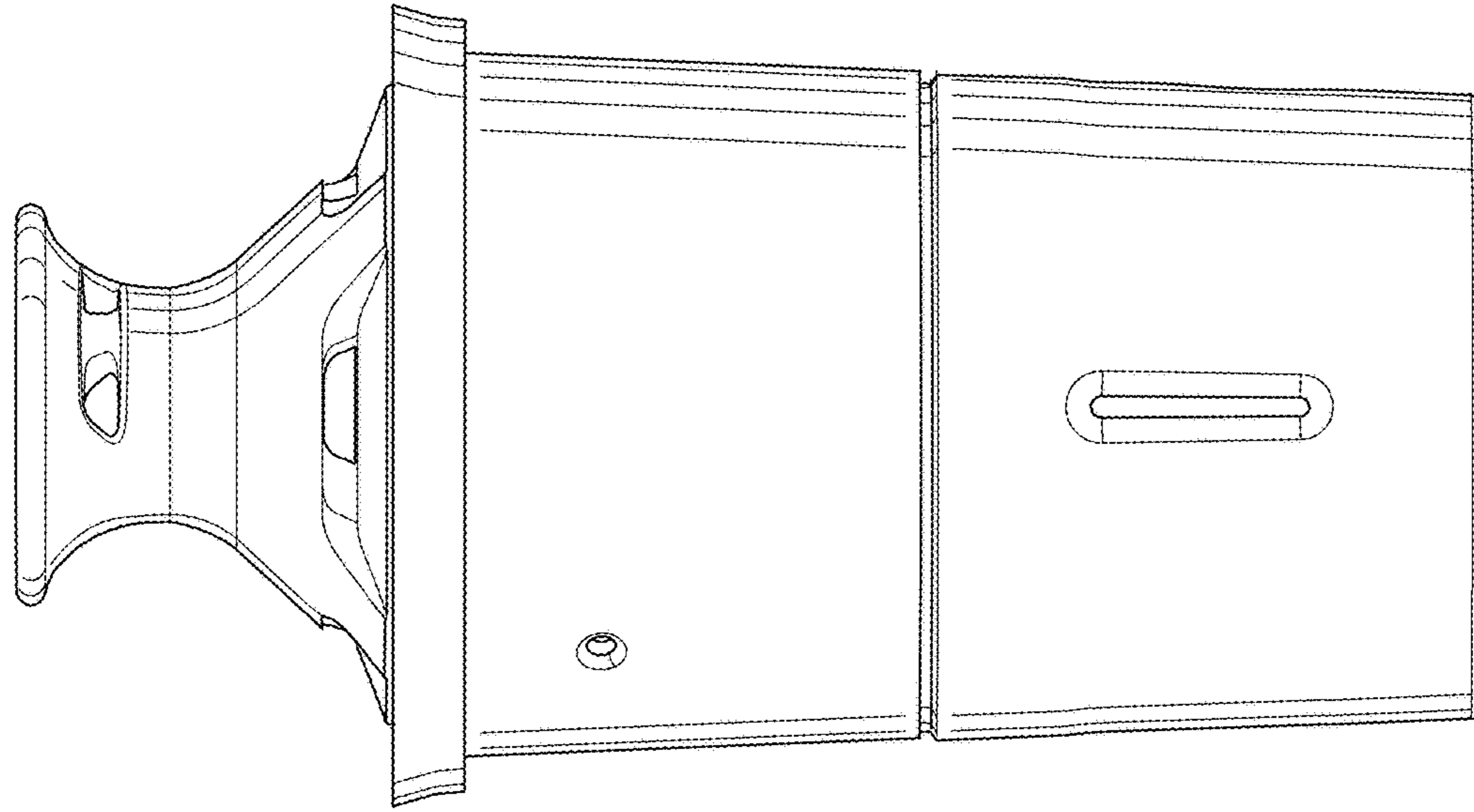


FIG. 7

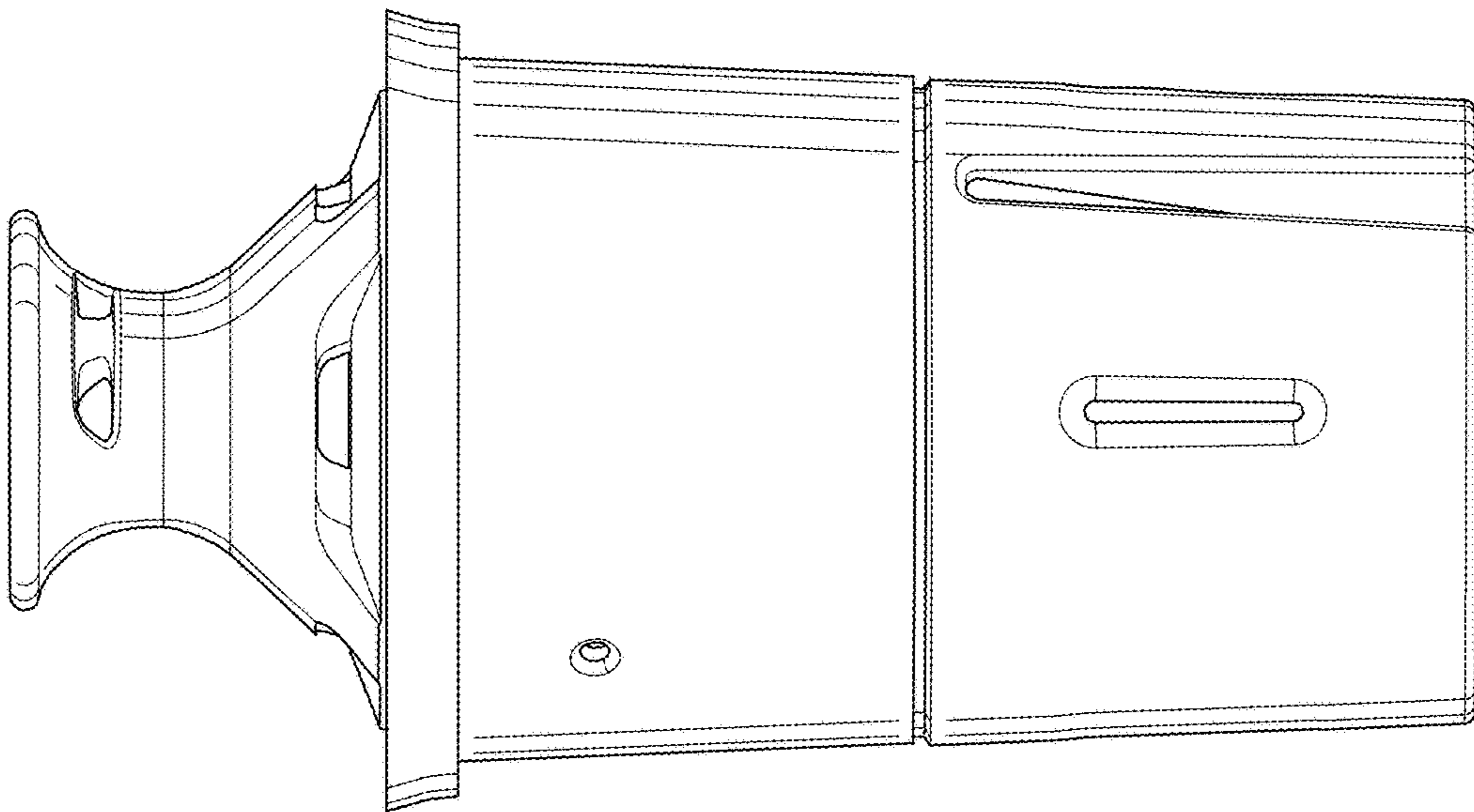


FIG. 6