

US00D820384S

(12) **United States Design Patent**  
**DiTullio**

(10) **Patent No.:** **US D820,384 S**  
(45) **Date of Patent:** **\*\* Jun. 12, 2018**

(54) **STORMWATER CHAMBER**

(71) Applicant: **Robert J. DiTullio**, Brookfield, CT (US)

(72) Inventor: **Robert J. DiTullio**, Brookfield, CT (US)

(\*\*) Term: **15 Years**

(21) Appl. No.: **29/612,917**

(22) Filed: **Aug. 4, 2017**

**Related U.S. Application Data**

(63) Continuation-in-part of application No. 15/231,222, filed on Aug. 8, 2016, now Pat. No. 9,765,509.

(51) **LOC (11) Cl.** ..... **23-01**

(52) **U.S. Cl.**  
USPC ..... **D23/207**

(58) **Field of Classification Search**  
USPC ..... D23/207, 209; 405/43, 45, 49, 50  
CPC ..... E02B 11/005; E03F 1/003; E03F 1/002;  
E03F 1/005  
See application file for complete search history.

(56) **References Cited**

**U.S. PATENT DOCUMENTS**

980,442 A	1/1911	Schlaflly
2,876,801 A	3/1959	November
3,789,615 A	2/1974	Maroschak
3,855,799 A	12/1974	Martin et al.
4,113,818 A	9/1978	Drossbach
4,241,146 A	12/1980	Sivachenko et al.
4,360,042 A	11/1982	Fouss et al.
5,087,151 A	2/1992	DiTullio
5,419,838 A	5/1995	DiTullio

(Continued)

**FOREIGN PATENT DOCUMENTS**

IE S20080166 A2 9/2008

**OTHER PUBLICATIONS**

CONTECH Construction Products, Inc., "ChamberMaxx The CONTECH Plastic Stormwater Retention Solution", 2008, 2 pages.

(Continued)

*Primary Examiner* — Robin V Webster

(74) *Attorney, Agent, or Firm* — St Onge Steward Johnston and Reens LLC

(57) **CLAIM**

The ornamental design for a stormwater chamber, as shown and described.

**DESCRIPTION**

FIG. 1 is a front, top and left side perspective view of a first embodiment of a stormwater chamber in accordance with the new design;

FIG. 2 is a right side elevation view thereof, the left side elevation view being a mirror image of FIG. 2;

FIG. 3 is a top plan view thereof;

FIG. 4 is a bottom plan view thereof;

FIG. 5 is a rear elevation view thereof;

FIG. 6 is a front elevation view thereof;

FIG. 7 is a detail bottom plan view thereof in the area 7 of FIG. 4;

FIG. 8 is a front, top and left side perspective view of a second embodiment of a stormwater chamber in accordance with the new design;

FIG. 9 is a right side elevation view thereof, the left side elevation view being a mirror image of FIG. 9;

FIG. 10 is a top plan view thereof;

FIG. 11 is a bottom plan view thereof;

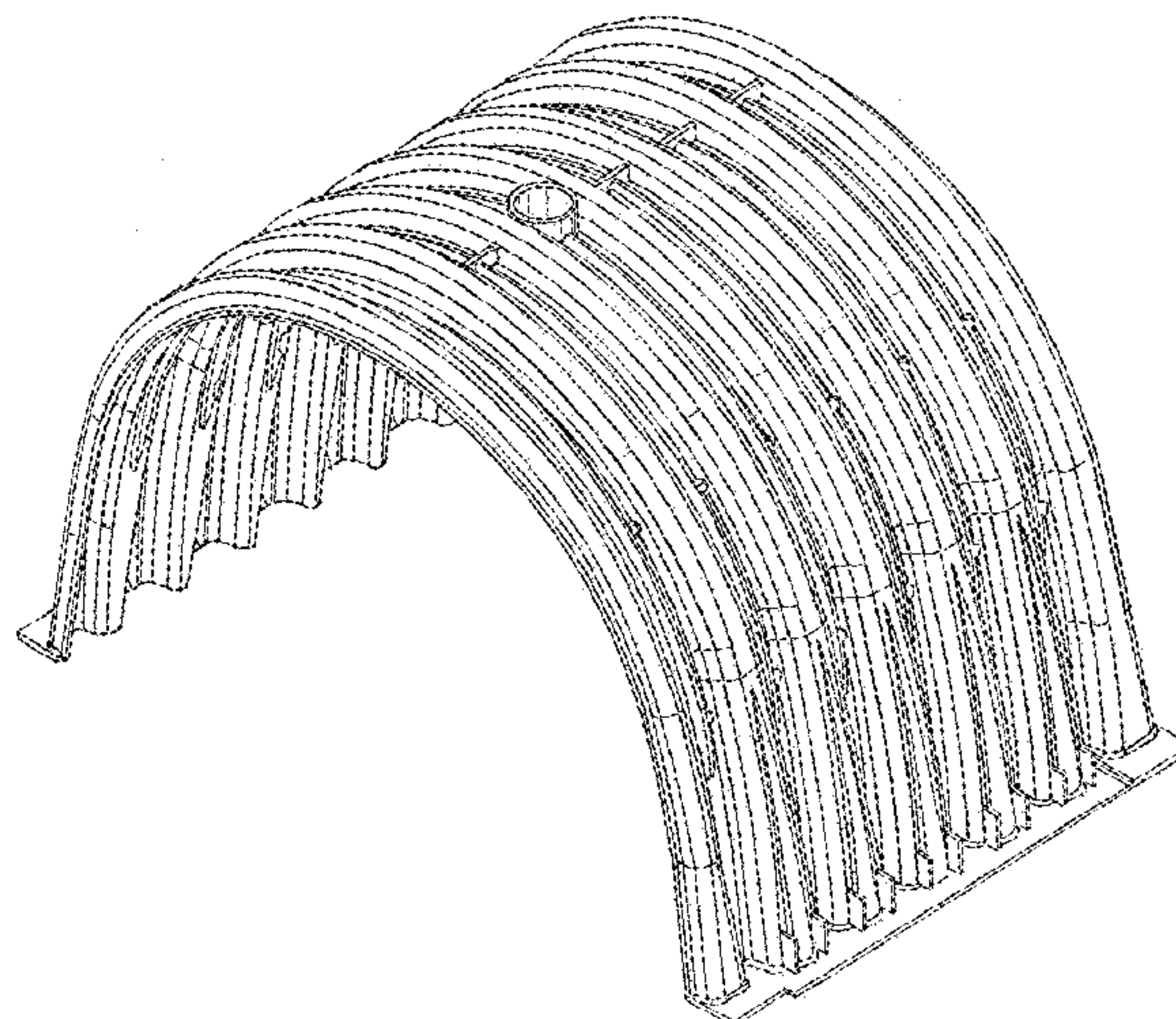
FIG. 12 is a rear elevation view thereof;

FIG. 13 is a front elevation view thereof;

FIG. 14 is a detail bottom plan view thereof in the area 14 of FIG. 11; and,

FIG. 15 is a detail top plan view thereof in the area 15 of FIG. 10.

**1 Claim, 15 Drawing Sheets**



(56)

References Cited

U.S. PATENT DOCUMENTS

5,573,038 A 11/1996 Kanao  
 5,890,838 A 4/1999 Moore, Jr. et al.  
 6,123,113 A 9/2000 Pontbriand et al.  
 6,322,228 B1 11/2001 Feldman  
 6,361,248 B1 \* 3/2002 Maestro ..... E03F 1/003  
 138/105  
 6,497,333 B1 12/2002 Ellis et al.  
 6,854,925 B2 \* 2/2005 DiTullio ..... E03F 1/003  
 138/105  
 7,052,209 B1 5/2006 Kruger et al.  
 7,118,306 B2 10/2006 Kruger et al.  
 D537,912 S \* 3/2007 Benecke ..... D23/207  
 7,226,241 B2 6/2007 DiTullio  
 7,306,399 B1 12/2007 Smith  
 D613,819 S \* 4/2010 DiTullio ..... D23/207  
 D638,095 S \* 5/2011 DiTullio ..... D23/202  
 D668,318 S \* 10/2012 DiTullio ..... D23/207  
 8,425,148 B2 4/2013 DiTullio  
 8,491,224 B2 7/2013 Cobb et al.  
 8,672,583 B1 3/2014 Mailhot et al.

D737,927 S 9/2015 DiTullio  
 9,255,394 B2 2/2016 Mailhot et al.  
 D791,272 S \* 7/2017 DiTullio ..... D23/207  
 D792,552 S \* 7/2017 DiTullio ..... D23/207  
 D806,827 S \* 1/2018 Mailhot et al. .... D23/207  
 2009/0214297 A1 8/2009 Wilson  
 2009/0220302 A1 9/2009 Cobb et al.  
 2010/0126616 A1 5/2010 Kanao  
 2014/0007946 A1 1/2014 Koncelik, Jr.

OTHER PUBLICATIONS

“Cultec Recharger V8 Specification Sheet”, Cultec, Inc., Feb. 2008, 1 page.  
 Rosato, et al., “Designing with Plastics and Composites a Handbook”, 1991, 23 pages.  
 The Society of The Plastics Industry, Inc., “Standards and Practices of Plastics Molders and Plastics Molded Parts Buyers Guide”, 1978, 46 pages.  
 Prof. Ben Schafer, “Thin-Walled Structures Thin-Walled Thermoplastic Pipe”, 2005, 2 pages.

\* cited by examiner



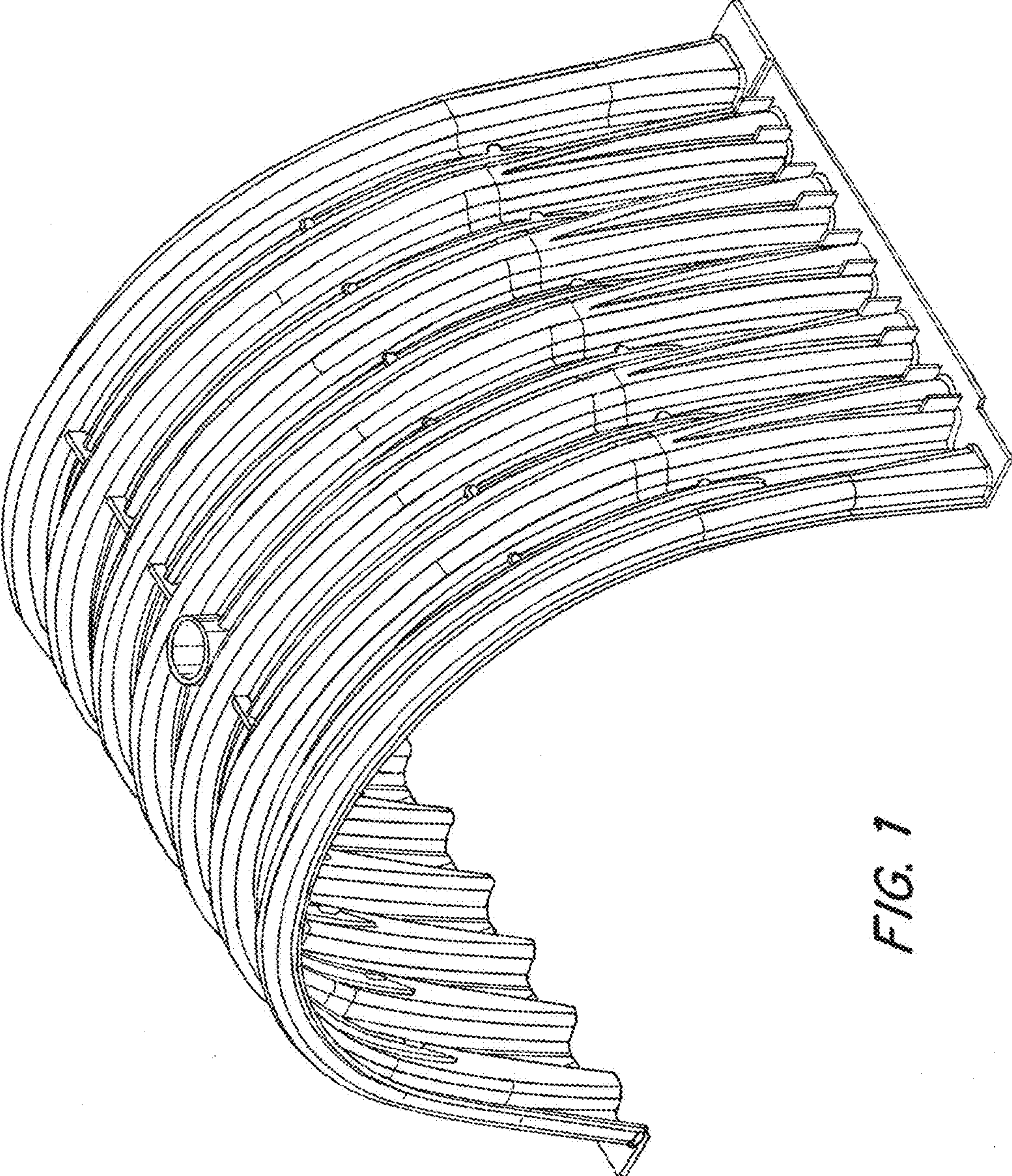


FIG. 1



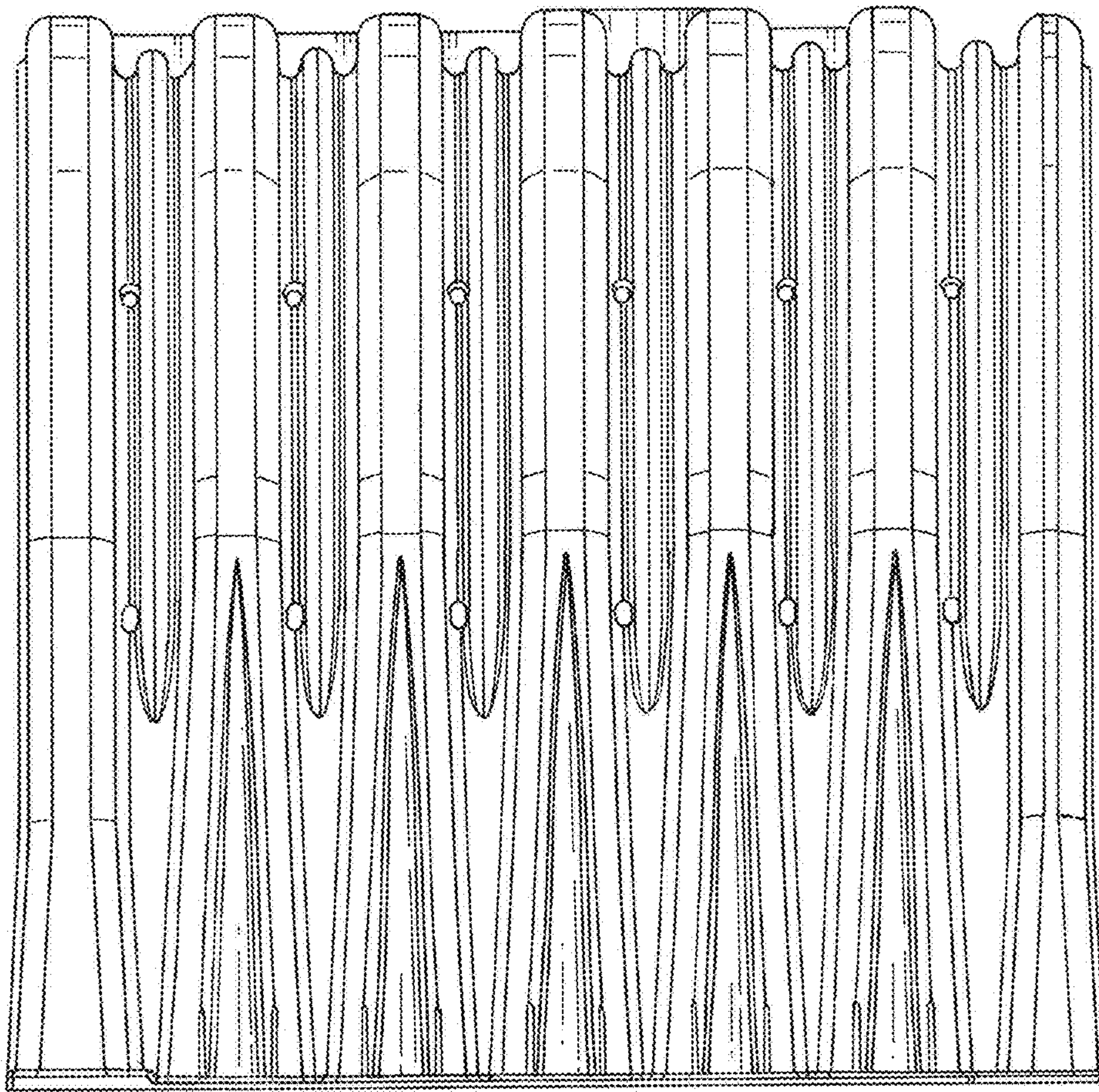


FIG. 2



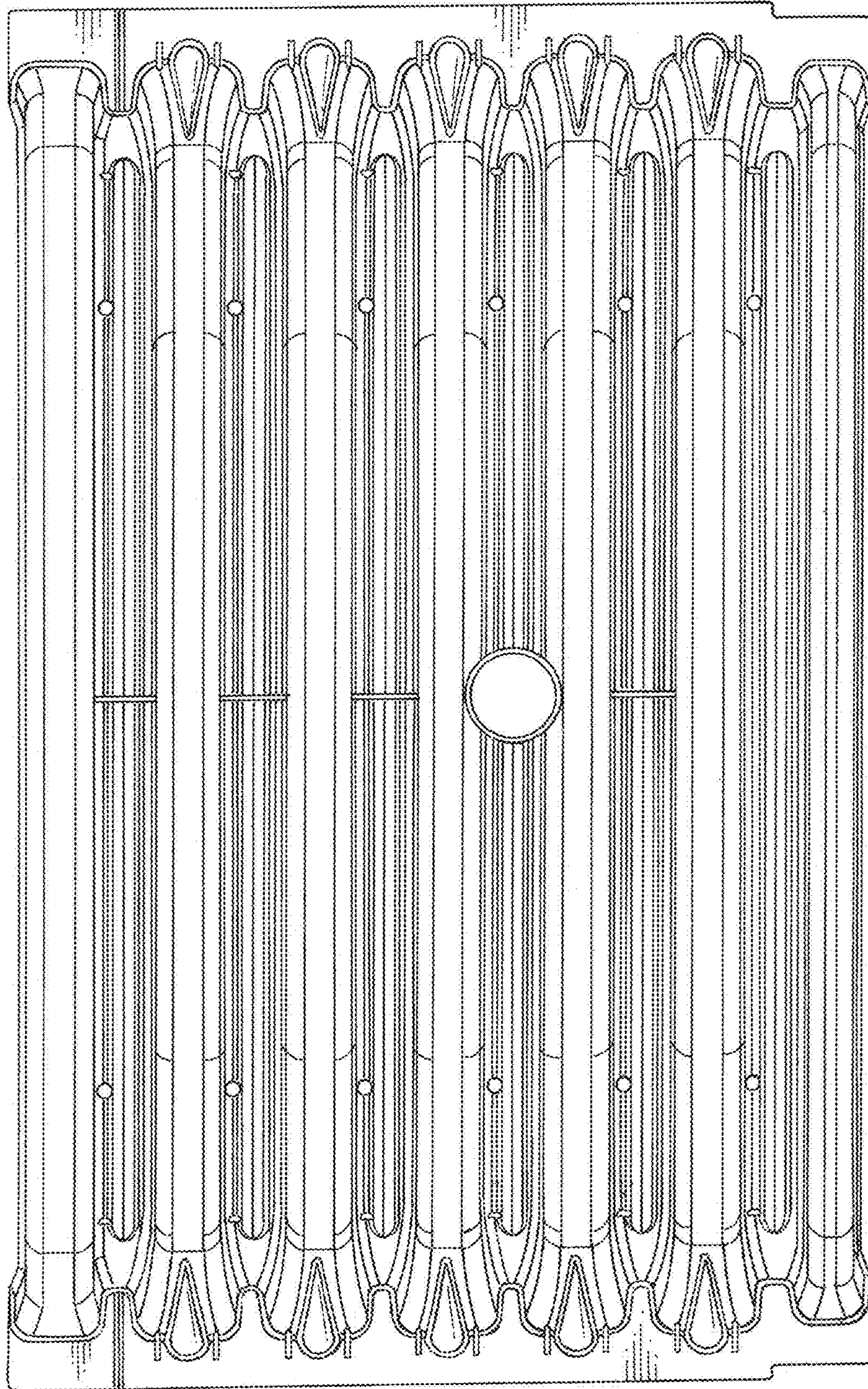


FIG. 3



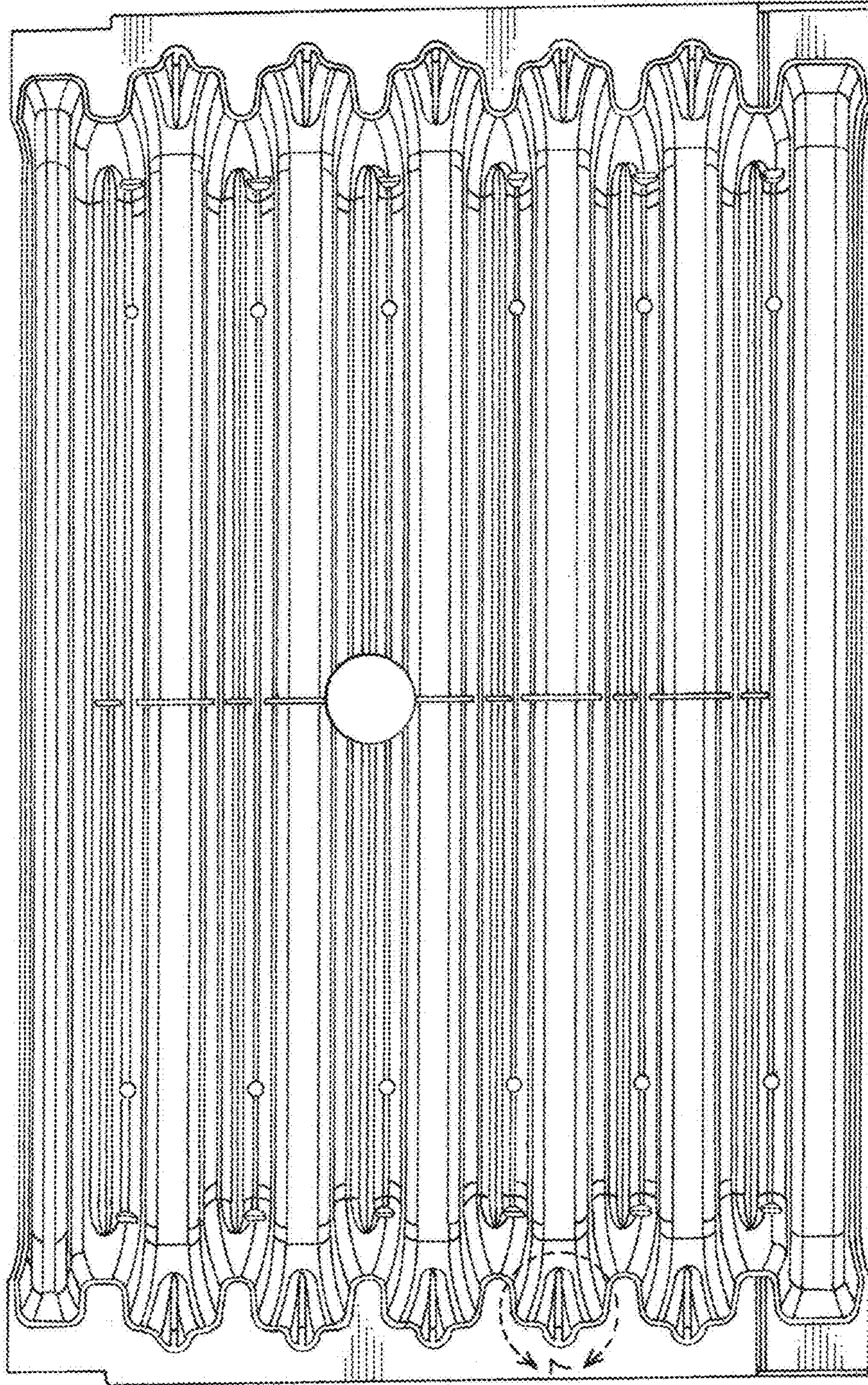


FIG. 4



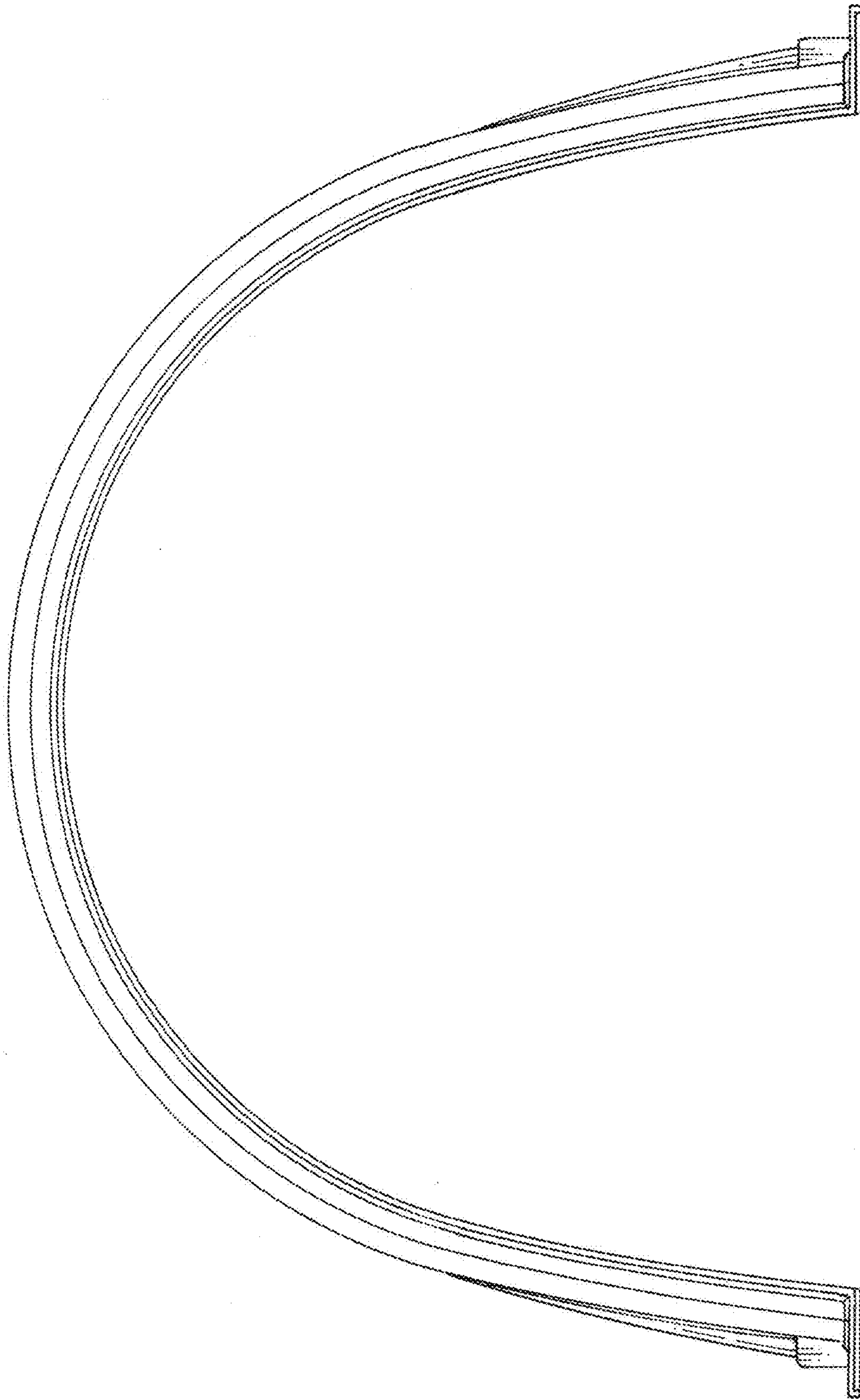


FIG. 5

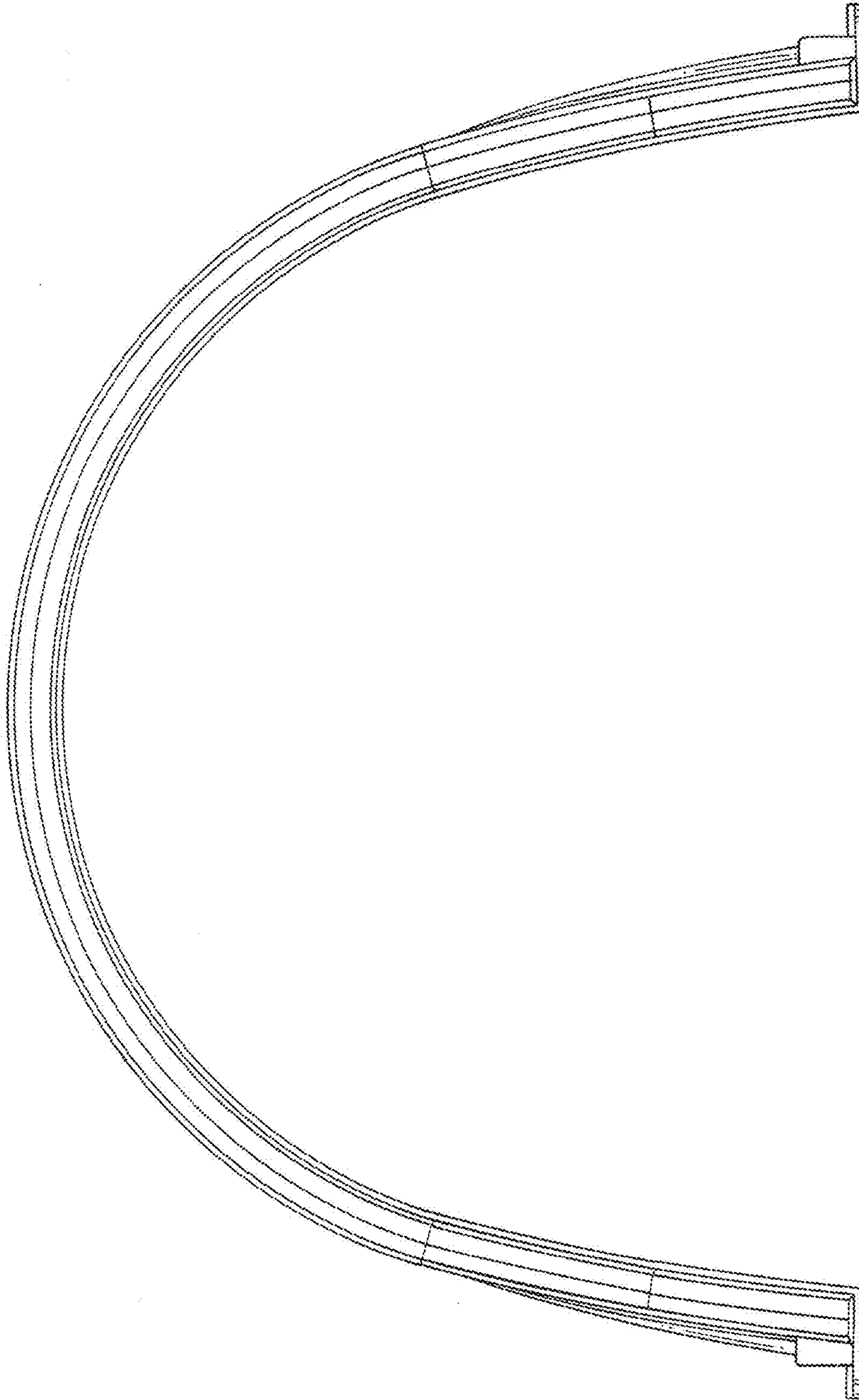
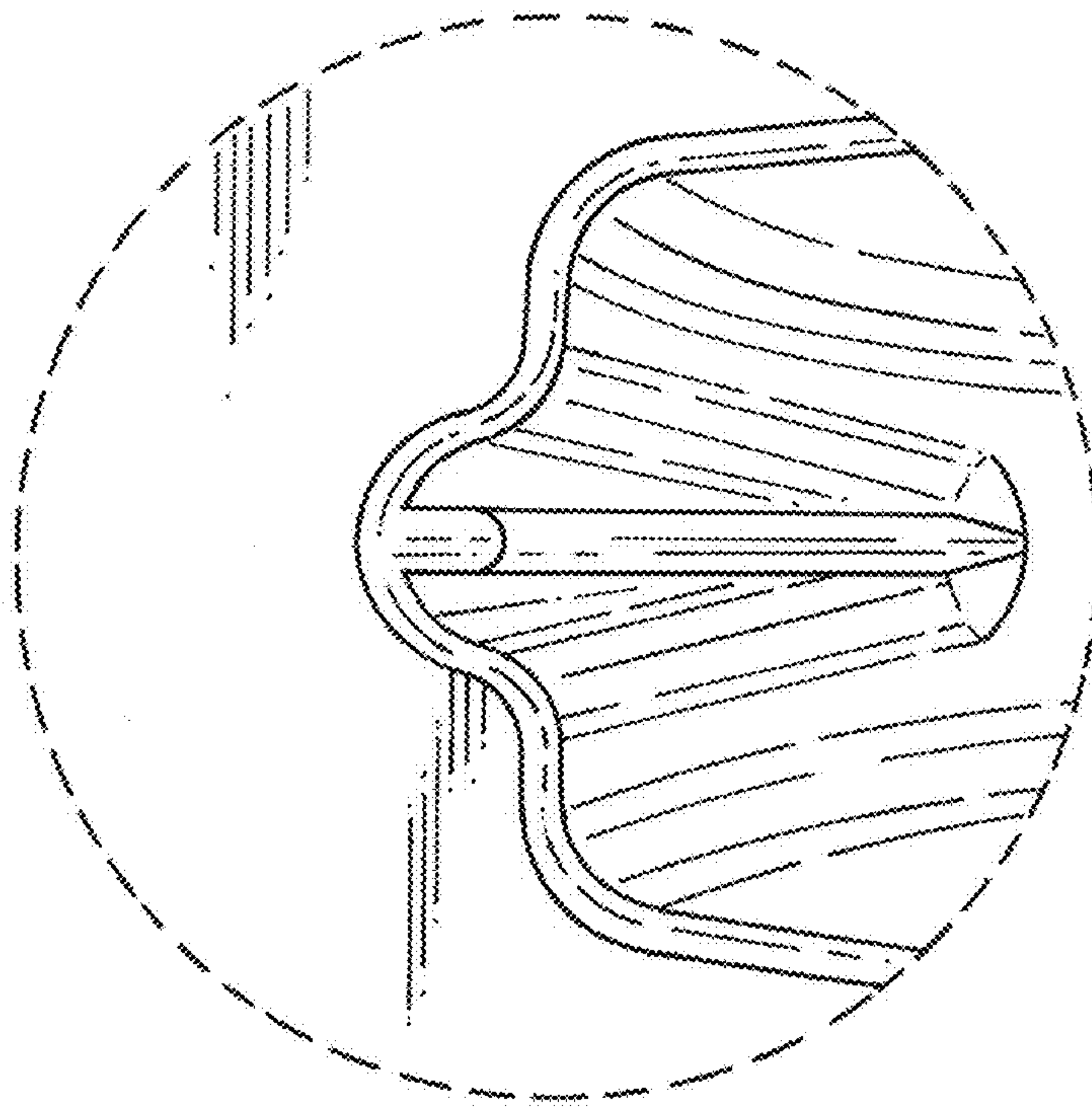


FIG. 6





*FIG. 7*



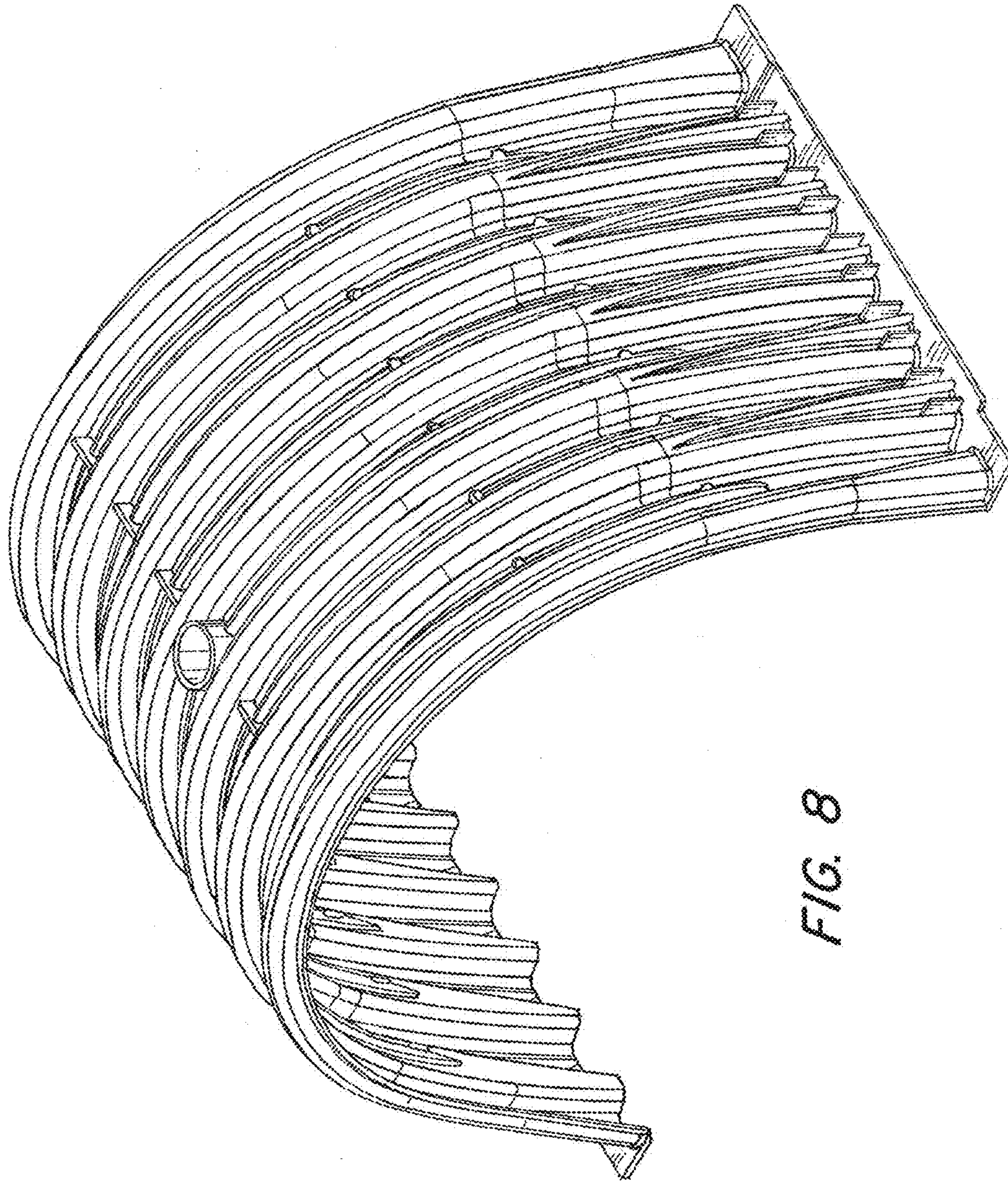
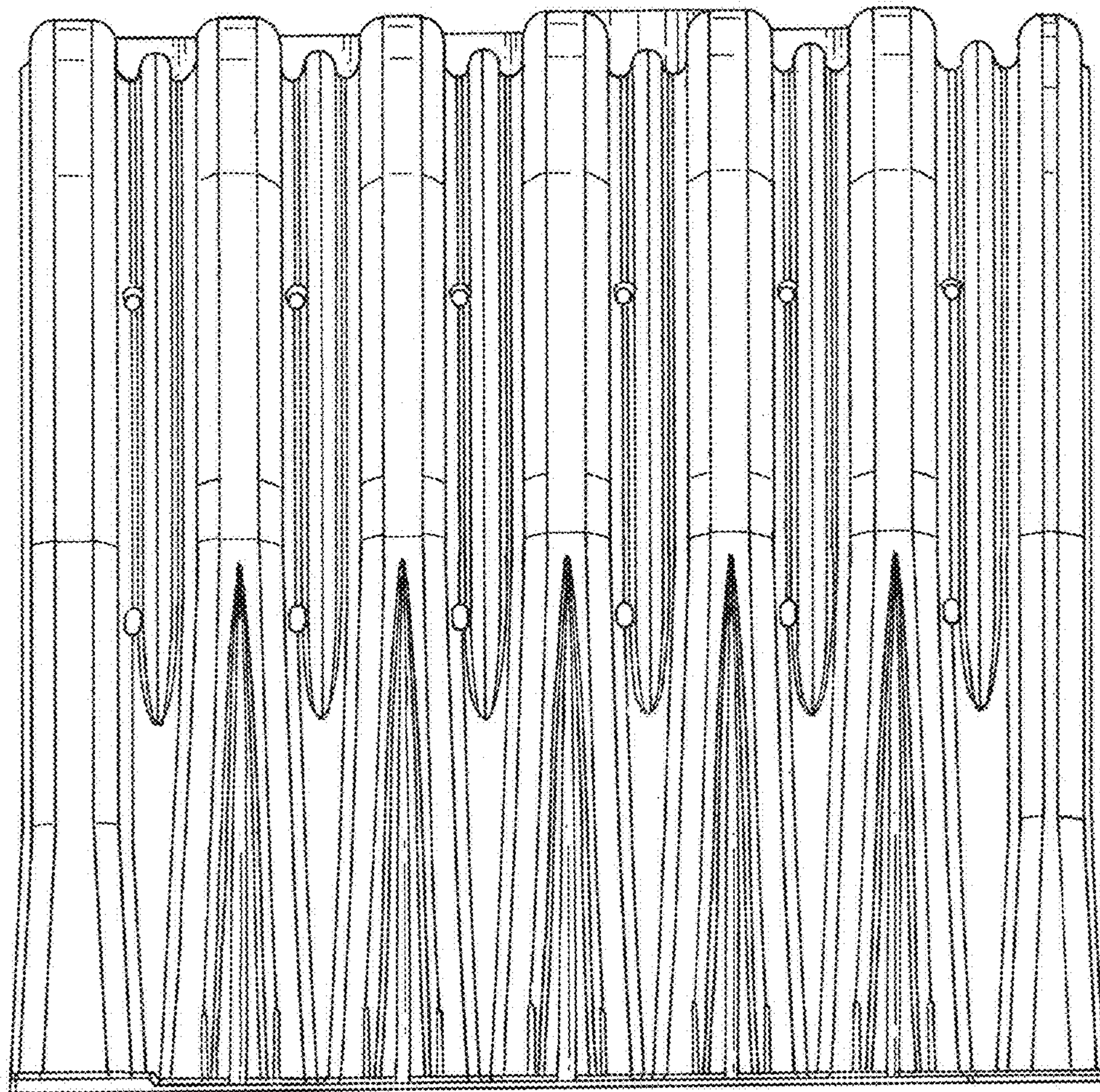


FIG. 8





*FIG. 9*



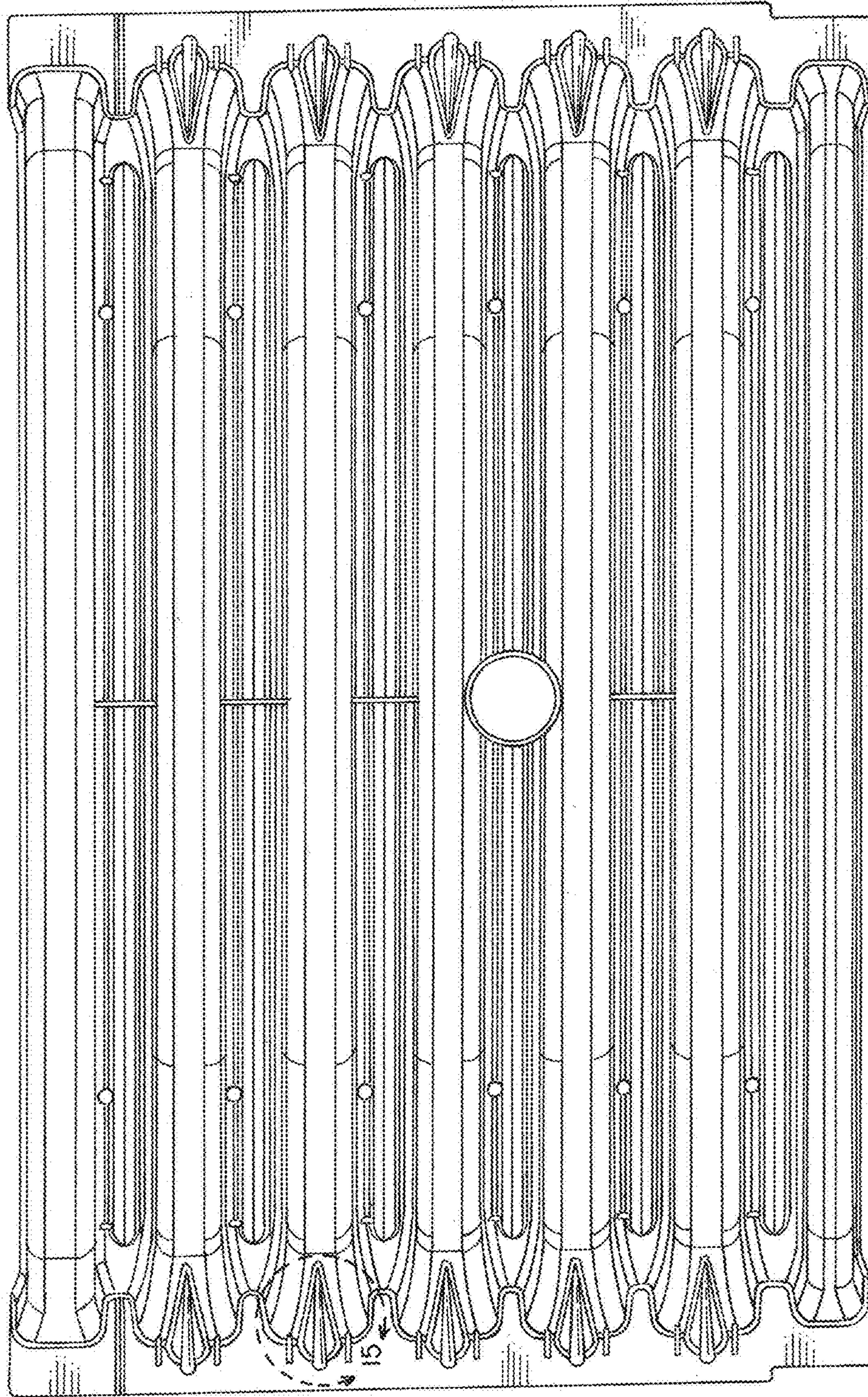


FIG. 10



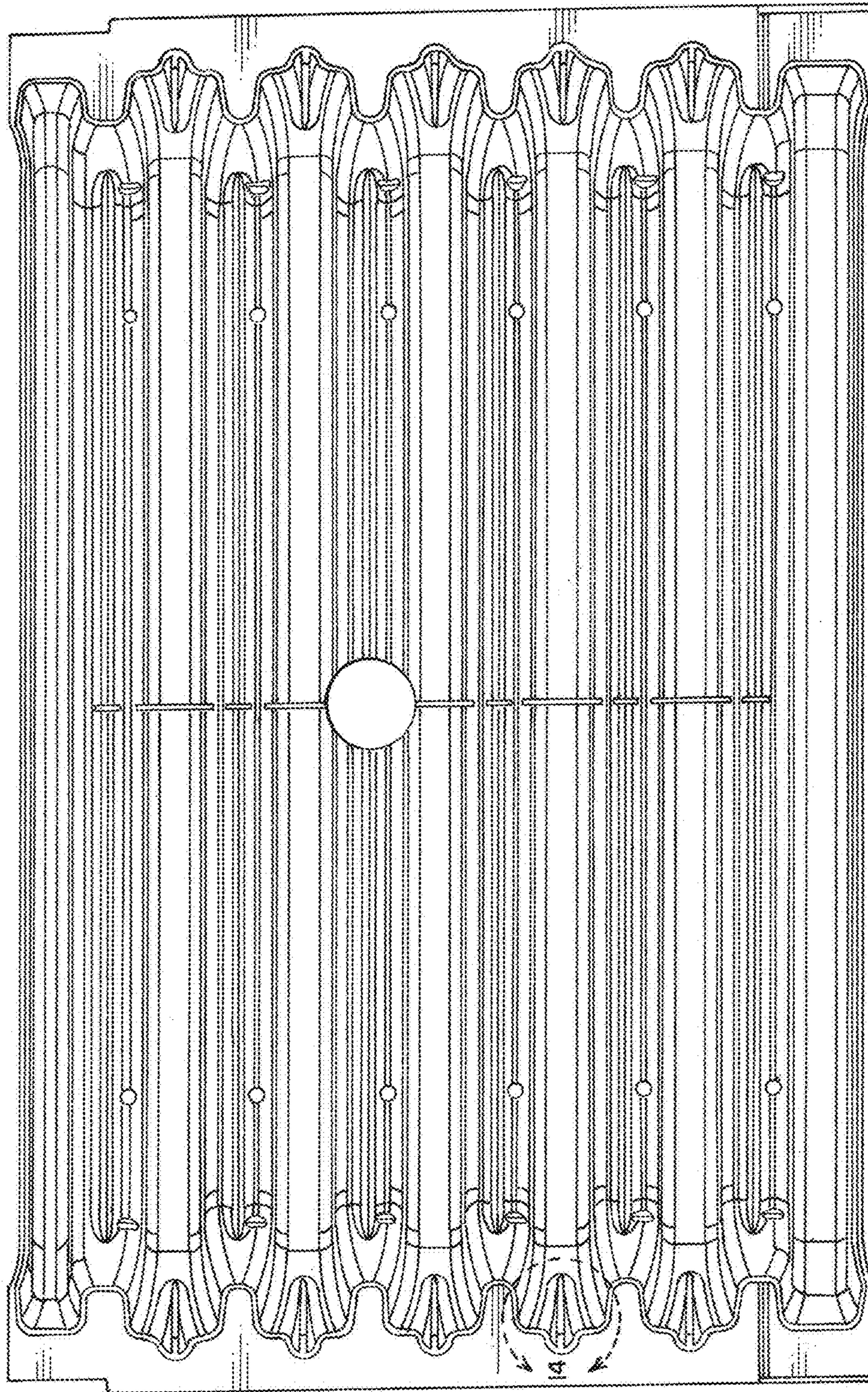


FIG. 11



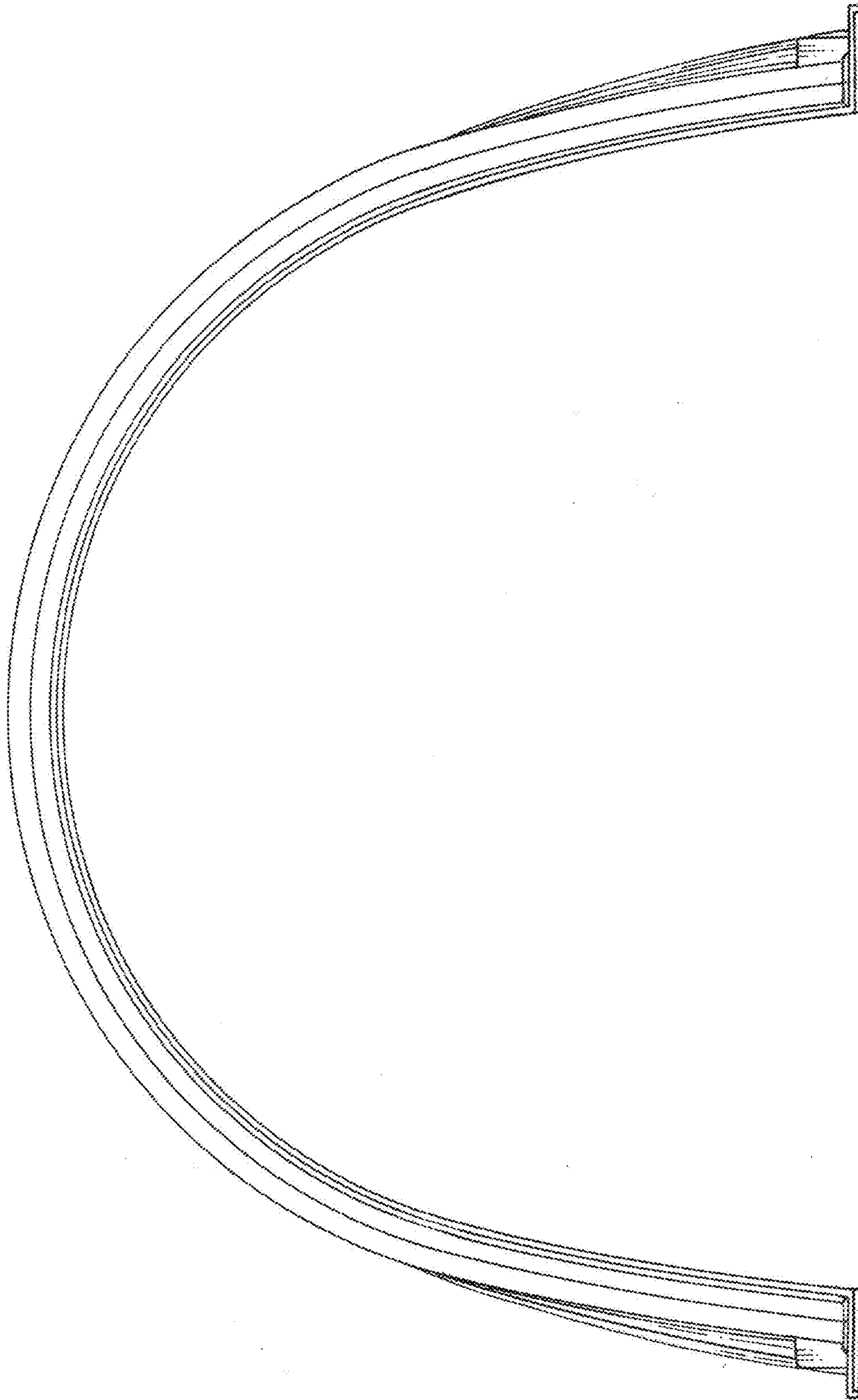


FIG. 12



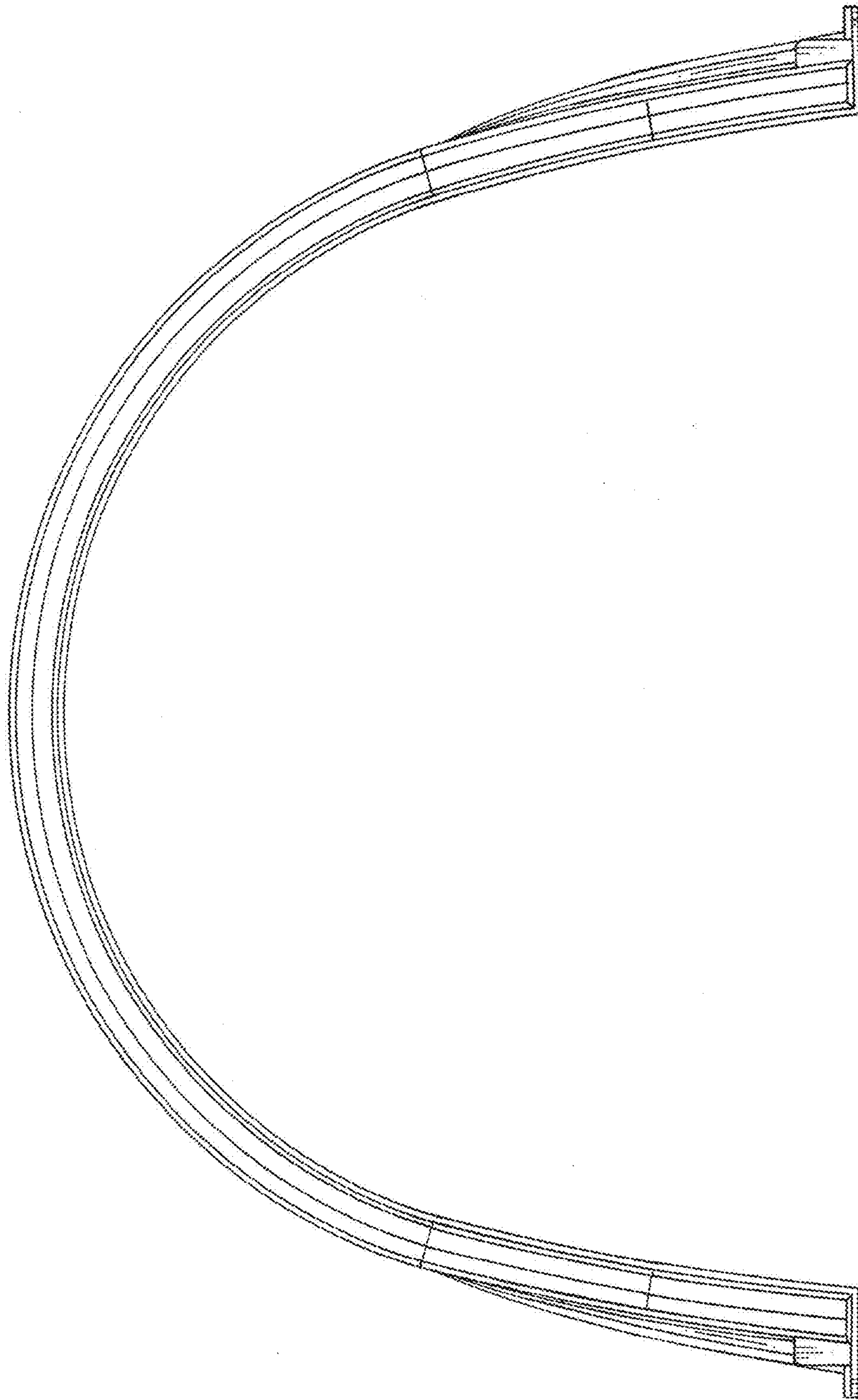
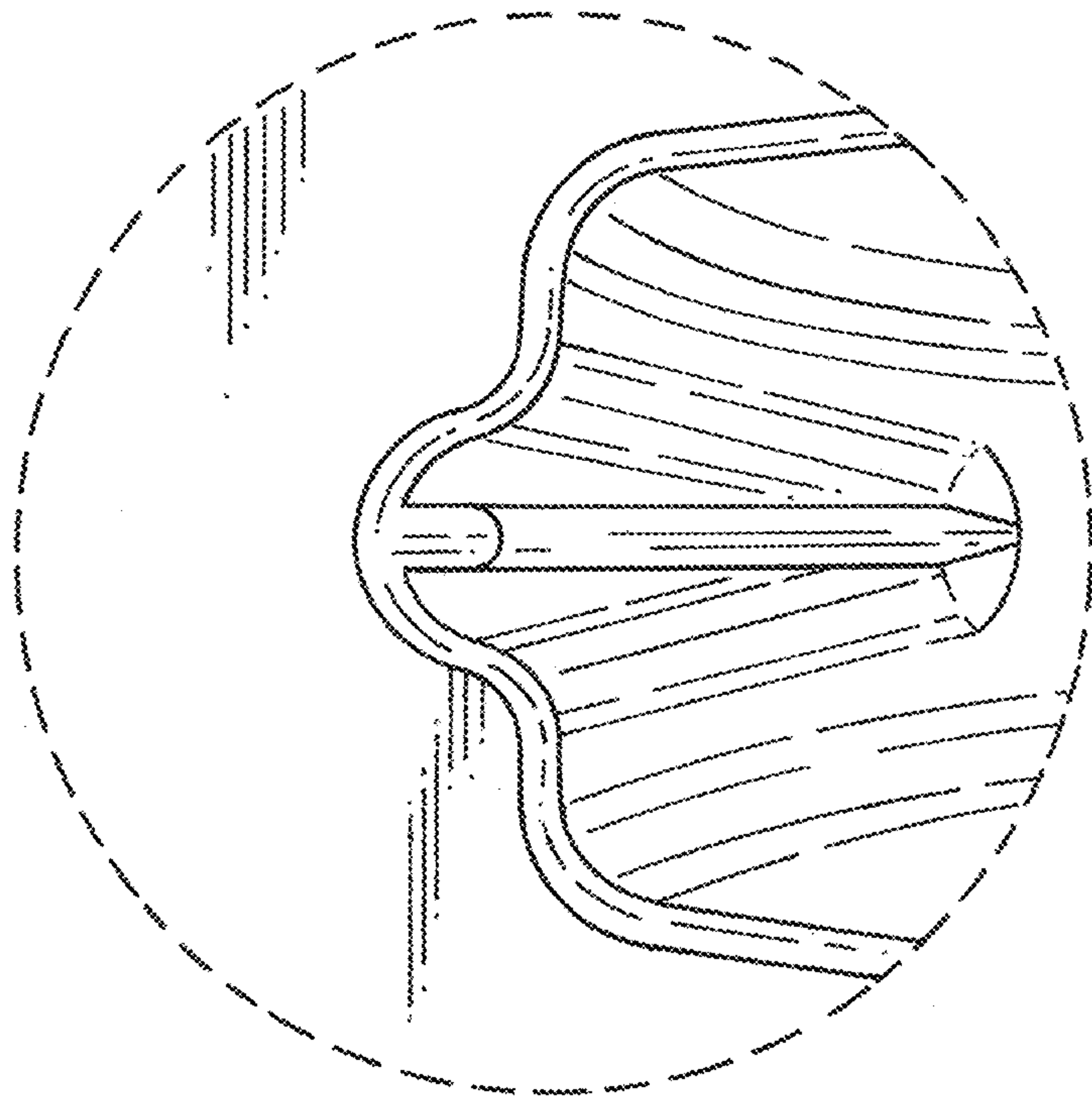


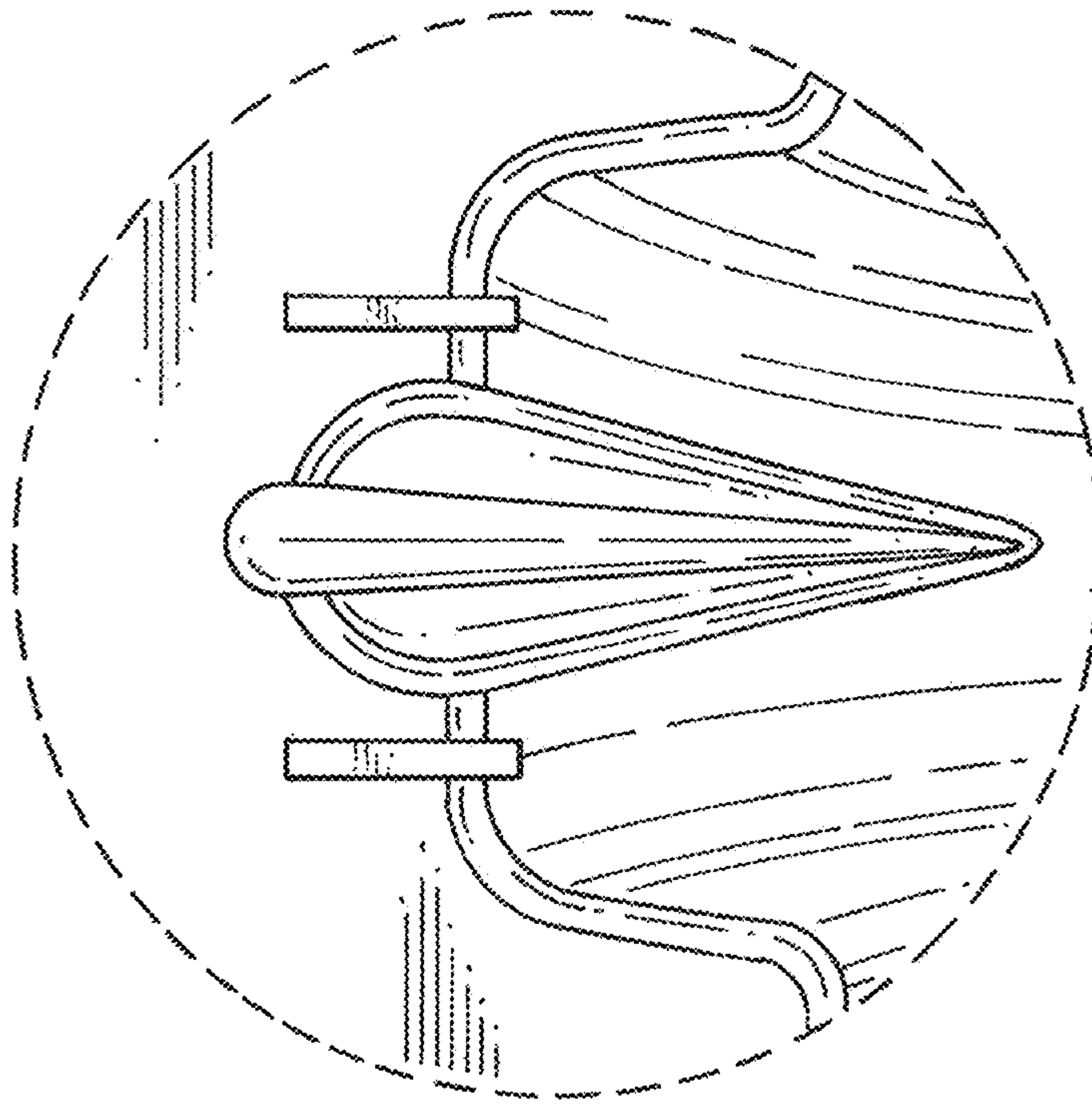
FIG. 13





*FIG. 14*





*FIG. 15*