



US00D820383S

(12) **United States Design Patent**  
**Okazaki et al.**

(10) **Patent No.:** **US D820,383 S**  
(45) **Date of Patent:** **\*\* Jun. 12, 2018**

(54) **DEGASSING/AERATION MEMBRANE  
MODULE**

D705,390 S \* 5/2014 Okazaki ..... D23/207  
D705,391 S \* 5/2014 Okazaki ..... D23/207  
8,876,945 B2 \* 11/2014 Taylor ..... B01D 19/0031  
95/46

(71) Applicant: **Mitsubishi Rayon Co., Ltd.**, Tokyo  
(JP)

D719,636 S \* 12/2014 Reed ..... D23/209  
D776,786 S \* 1/2017 Okazaki ..... D23/209  
D799,652 S \* 10/2017 Takamatsu ..... D23/333  
D802,085 S \* 11/2017 Kremerman ..... D23/207  
D806,206 S \* 12/2017 Konagayoshi ..... D23/207

(72) Inventors: **Hiroyuki Okazaki**, Tokyo (JP); **Yoshie  
Tanizaki**, Tokyo (JP)

(73) Assignee: **Mitsubishi Chemical Corporation**,  
Tokyo (JP)

**FOREIGN PATENT DOCUMENTS**

JP 1532657 2/2015

(\*\*) Term: **15 Years**

**OTHER PUBLICATIONS**

(21) Appl. No.: **29/579,880**

Japanese Office Action for Japanese Design Application No. 2016-  
007608, issued Dec. 8, 2016.

(22) Filed: **Oct. 4, 2016**

\* cited by examiner

(30) **Foreign Application Priority Data**

Apr. 5, 2016 (JP) ..... 2016-007608

(51) **LOC (11) Cl.** ..... **23-01**

(52) **U.S. Cl.**  
USPC ..... **D23/207**

(58) **Field of Classification Search**  
USPC ..... D23/207, 209; 95/46; 96/4  
CPC ..... B01D 19/0031  
See application file for complete search history.

*Primary Examiner* — Robin V Webster  
*Assistant Examiner* — James C Thorn, Sr.

(74) *Attorney, Agent, or Firm* — Oblon, McClelland,  
Maier & Neustadt, L.L.P.

(57) **CLAIM**

The ornamental design for a degassing/aeration membrane  
module, as shown and described.

(56) **References Cited**

**DESCRIPTION**

**U.S. PATENT DOCUMENTS**

D265,227 S \* 6/1982 Jolley ..... D23/207  
4,571,244 A \* 2/1986 Knighton ..... A61M 5/38  
210/446  
4,608,166 A \* 8/1986 Cain ..... B01D 29/111  
210/232  
D295,887 S \* 5/1988 Hopkins ..... D23/207  
5,961,700 A \* 10/1999 Oliver ..... A61M 1/3627  
210/188  
D559,349 S \* 1/2008 Brown ..... D23/209  
D654,558 S \* 2/2012 Zeng ..... D23/208  
D685,451 S \* 7/2013 Patera ..... D23/209

FIG. 1 is a front, top, and left sideperspective view of a  
degassing/aeration membrane module;  
FIG. 2 is a front, top, and right side perspective view thereof;  
FIG. 3 is a front elevational view thereof;  
FIG. 4 is a rear elevational view thereof;  
FIG. 5 is a top plan view thereof;  
FIG. 6 is a bottom plan view thereof;  
FIG. 7 is a left side elevational view thereof; and,  
FIG. 8 is a right side elevational view thereof.

**1 Claim, 8 Drawing Sheets**

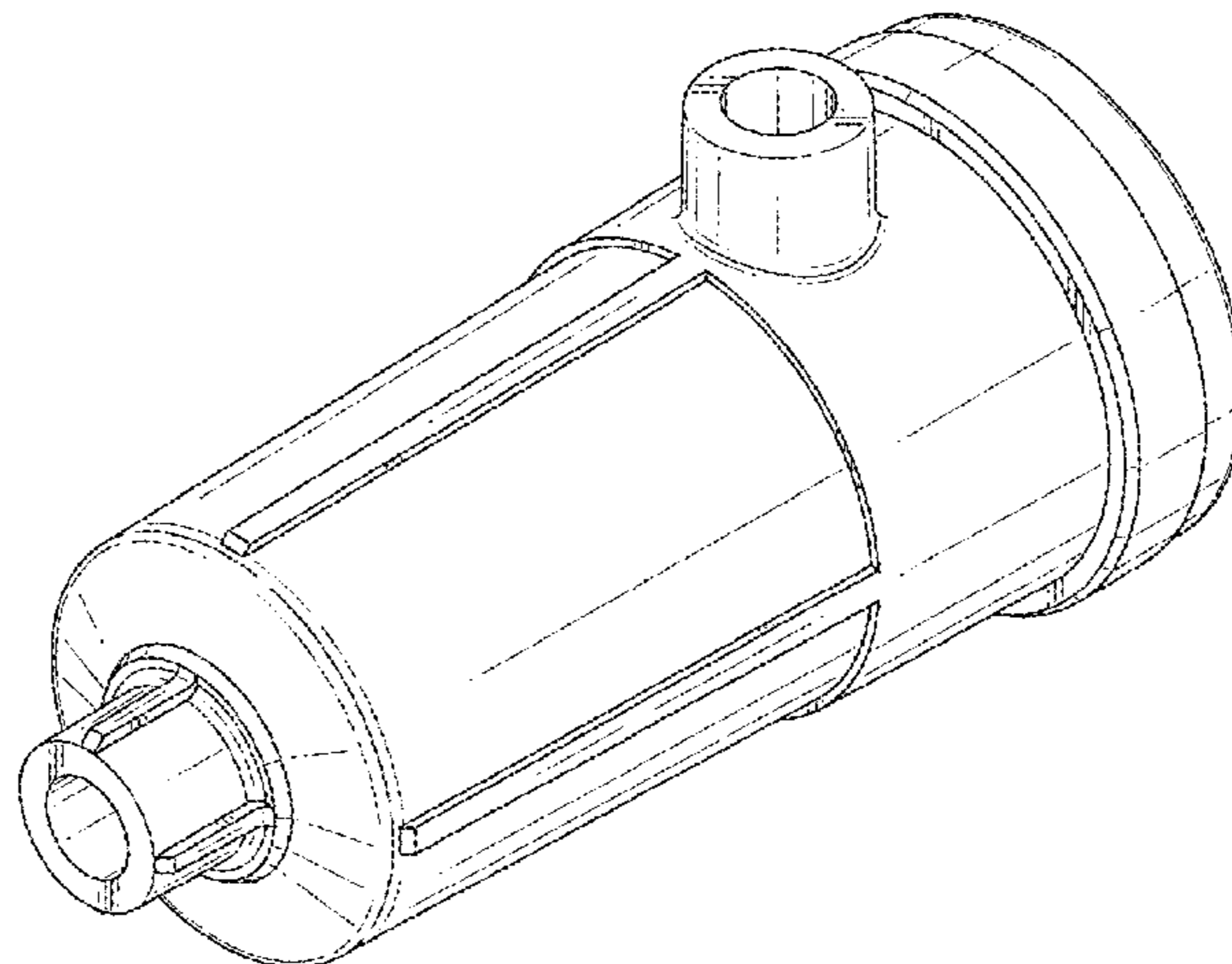


FIG. 1

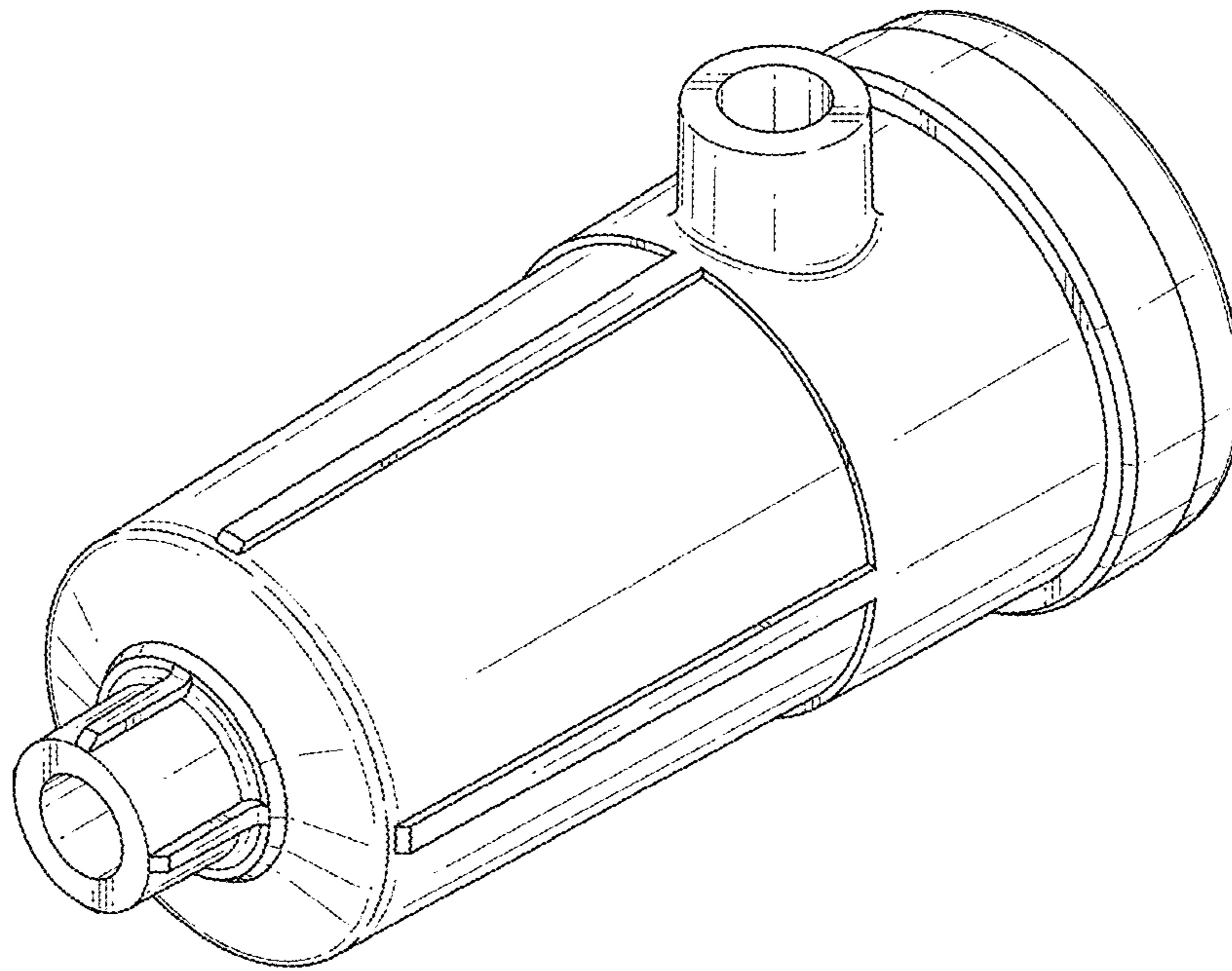


FIG. 2

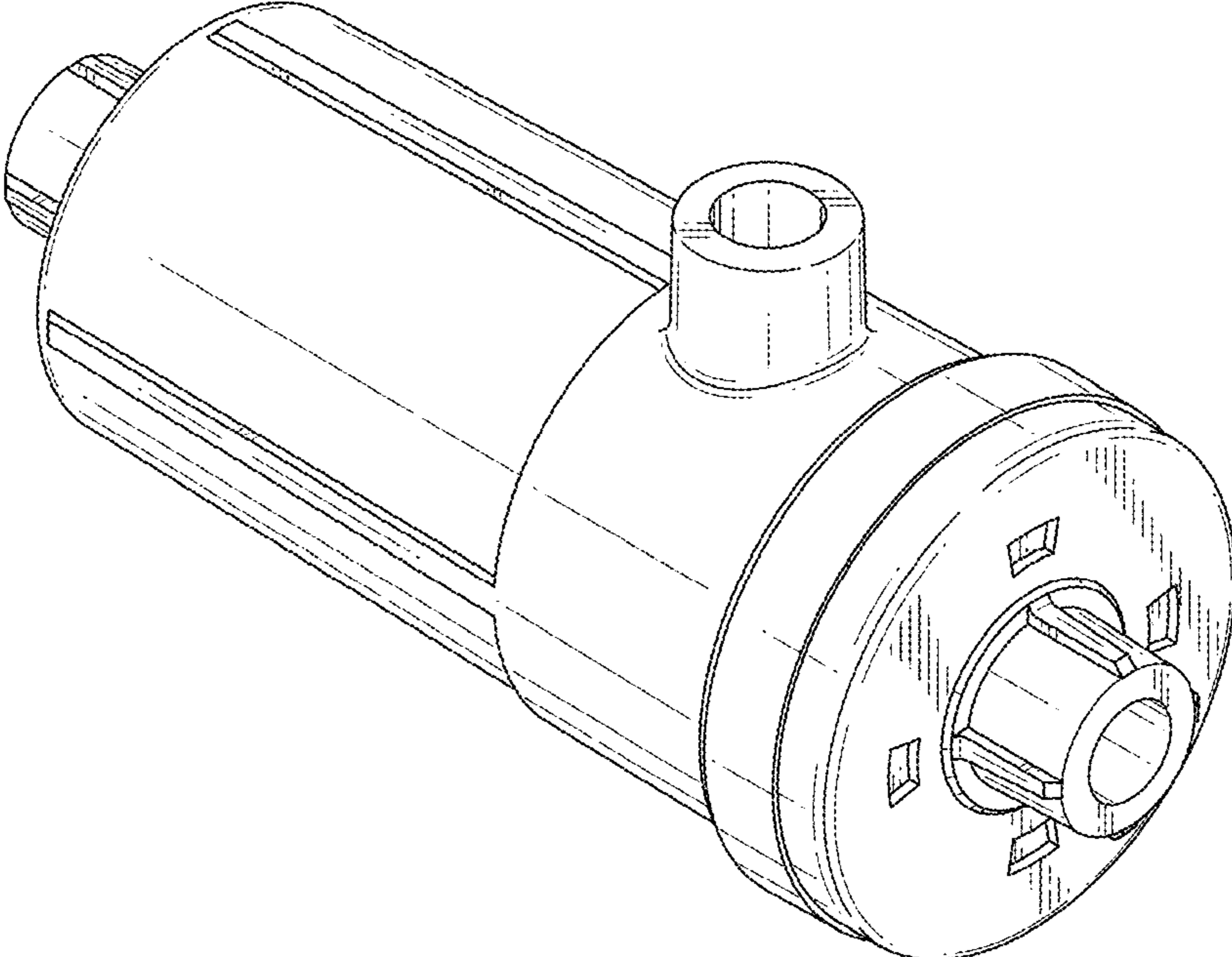


FIG. 3

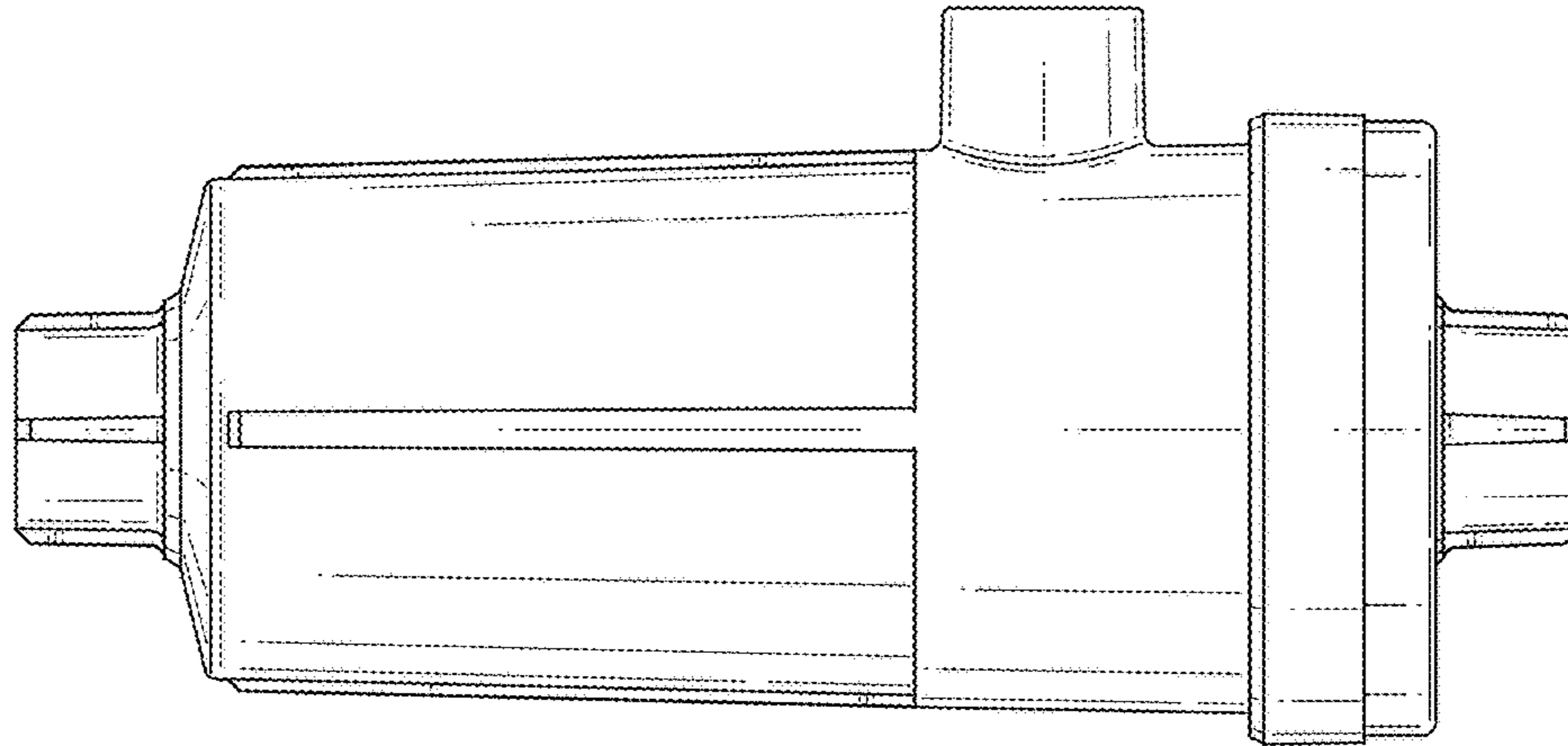


FIG. 4

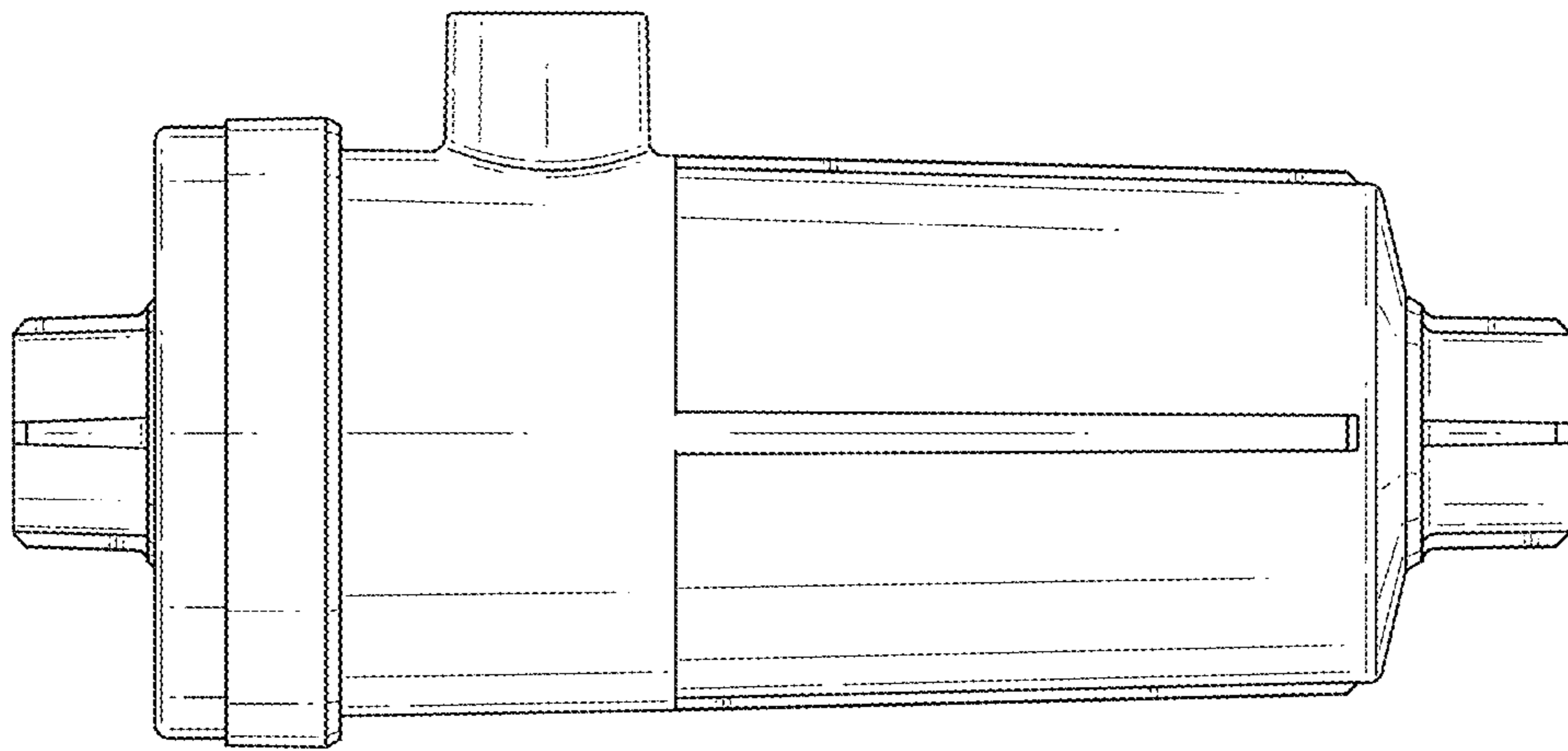


FIG. 5

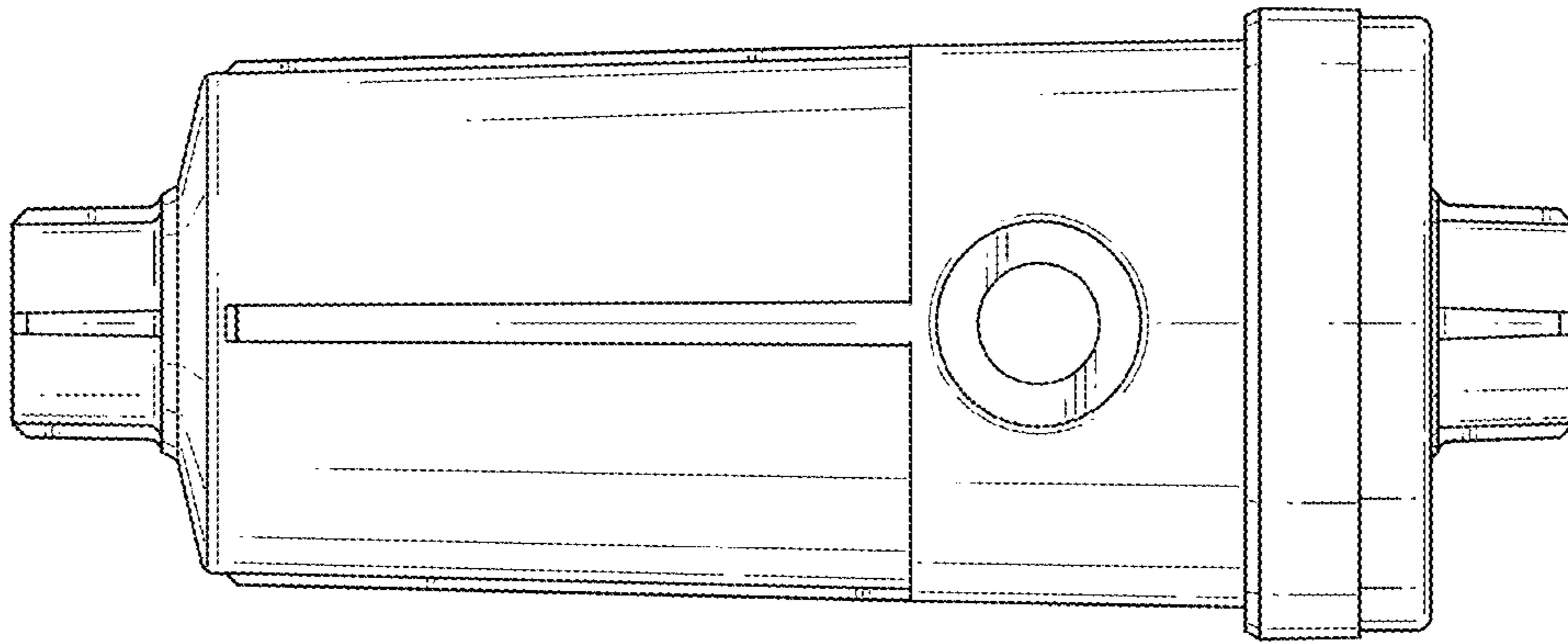




FIG. 6

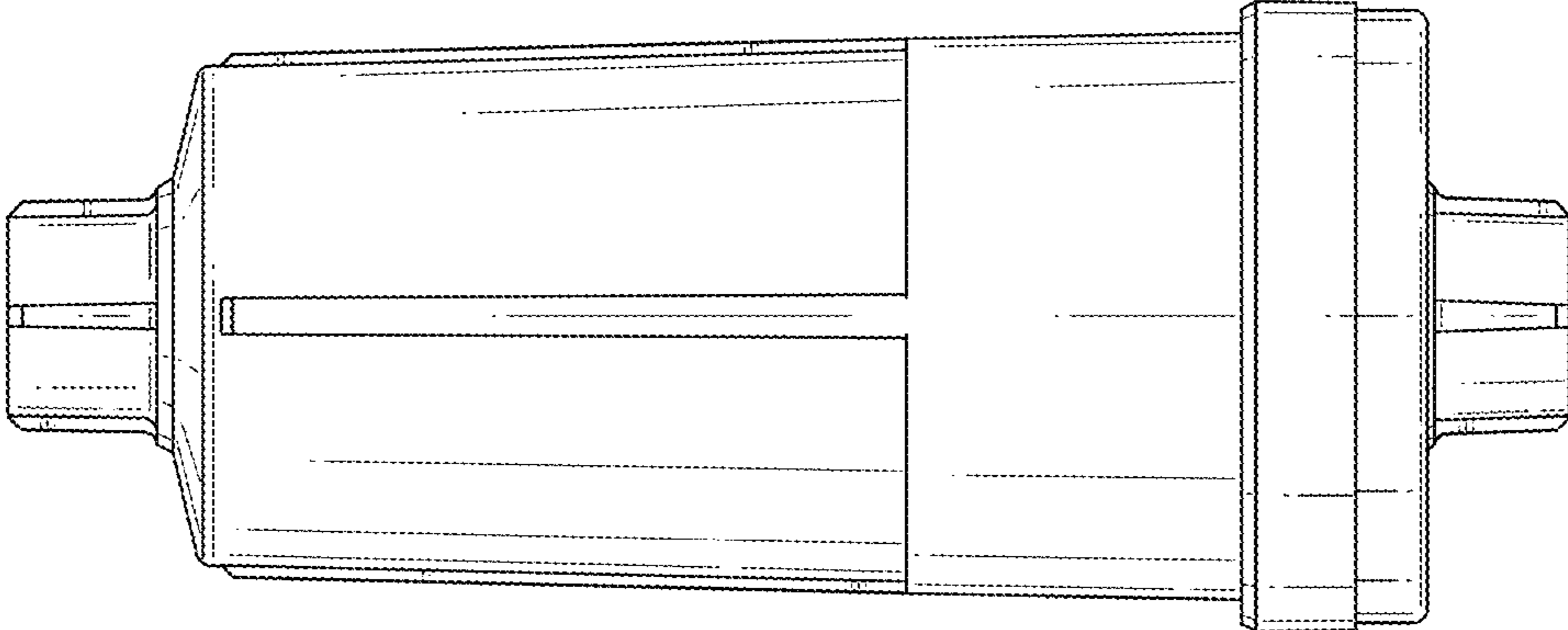


FIG. 7

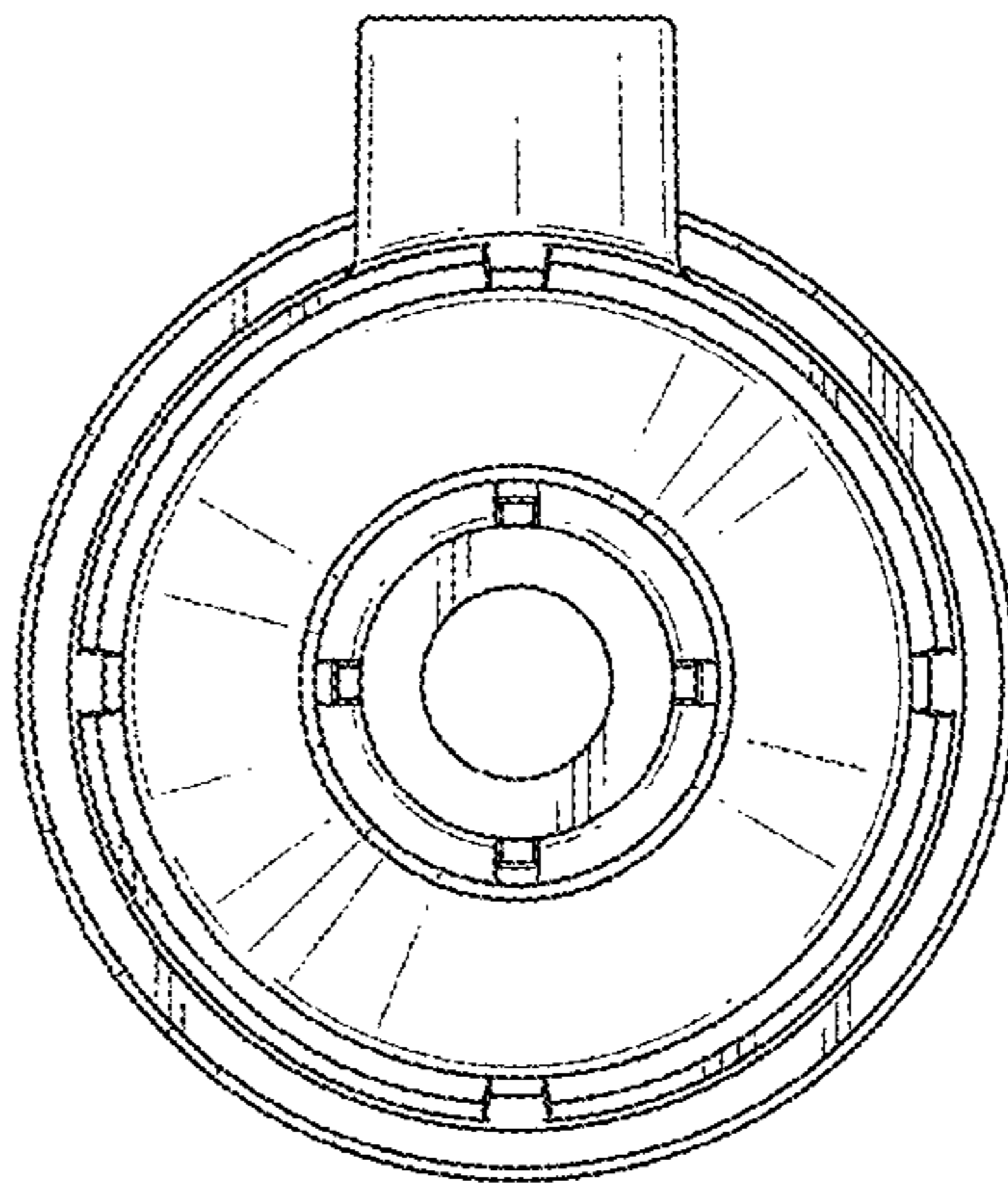




FIG. 8

