



US00D820381S

(12) **United States Design Patent**  
**Davidson et al.**

(10) **Patent No.:** **US D820,381 S**  
(45) **Date of Patent:** **\*\* Jun. 12, 2018**

- (54) **FISHING HOOK**
- (71) Applicants: **Lawrence Davidson**, Indian Orchard, MA (US); **William Siemantel**, Castaic, CA (US)
- (72) Inventors: **Lawrence Davidson**, Indian Orchard, MA (US); **William Siemantel**, Castaic, CA (US)

2,492,557 A *	12/1949	Deimler .....	A01K 83/06 43/44.8
D371,594 S *	7/1996	Drapak .....	D22/144
D541,900 S *	5/2007	Scott .....	D22/144
D600,316 S *	9/2009	Lee .....	D22/144
D616,060 S *	5/2010	Patrick .....	D22/144
D698,411 S *	1/2014	Bennis .....	D22/144
D698,412 S *	1/2014	Bennis .....	D22/144
D698,413 S *	1/2014	Bennis .....	D22/144
D776,233 S *	1/2017	Donnelly .....	D22/144

(\*\*) Term: **15 Years**

\* cited by examiner

(21) Appl. No.: **29/628,704**

*Primary Examiner* — Catherine R Oliver-Garcia  
(74) *Attorney, Agent, or Firm* — Quickpatents, LLC;  
Kevin Prince

(22) Filed: **Dec. 6, 2017**

**Related U.S. Application Data**

(62) Division of application No. 29/574,662, filed on Aug. 17, 2016.

(51) **LOC (11) Cl.** ..... **22-05**

(52) **U.S. Cl.**  
USPC ..... **D22/144**

(58) **Field of Classification Search**  
USPC ..... D22/144–145; 43/43.16, 44.4, 44.81, 43/44.8, 42.31, 43.2, 42.53, 42.37, 42.39, 43/42.38, 44.89, 44.28  
CPC ..... A01K 83/00; A01K 83/06; A01K 91/04  
See application file for complete search history.

(56) **References Cited**

**U.S. PATENT DOCUMENTS**

788,201 A *	4/1905	Friend .....	43/44.82
2,334,613 A *	11/1943	Dunkelberger .....	A01K 83/00 43/44.82

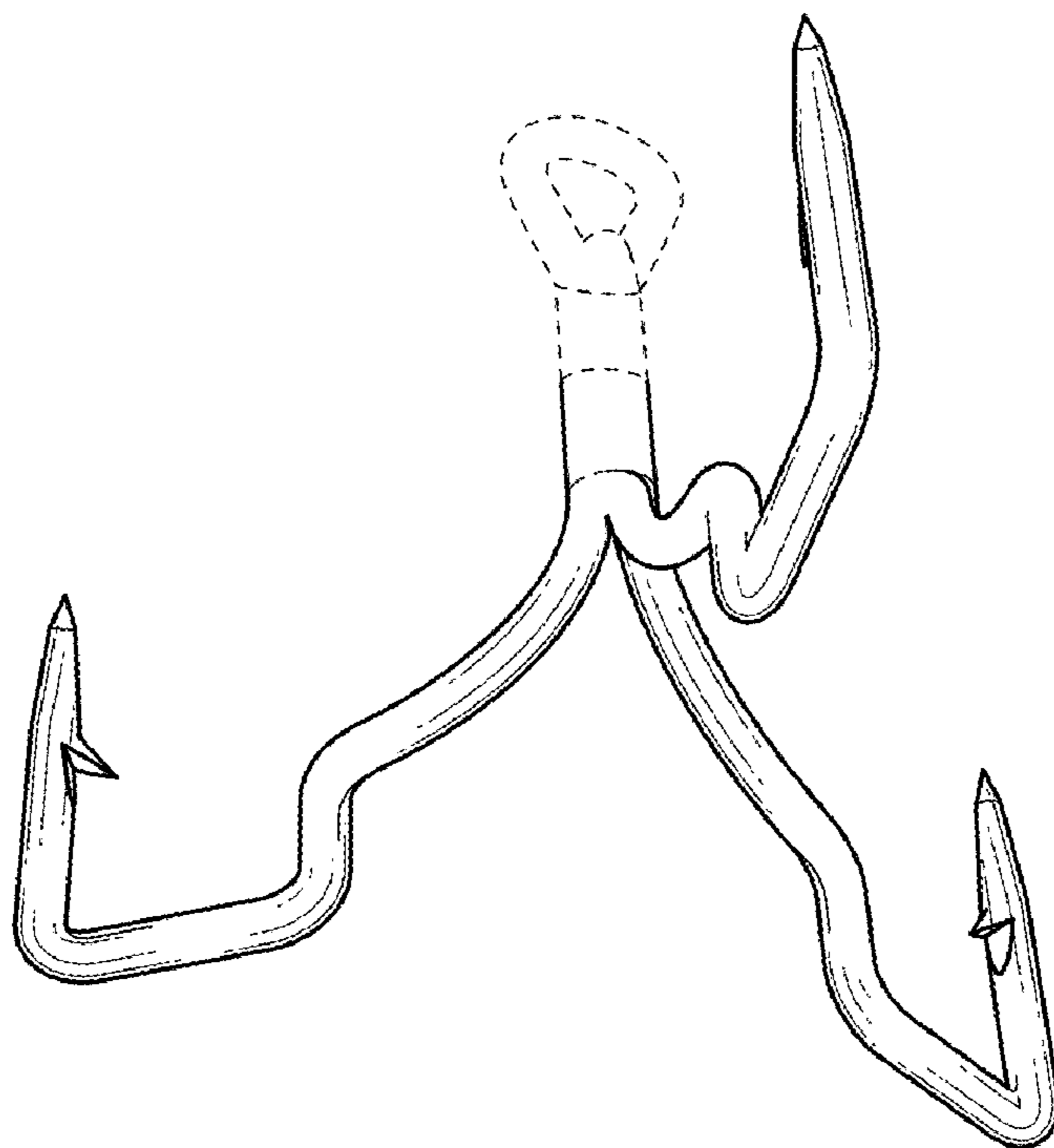
(57) **CLAIM**

We claim the ornamental design for a fishing hook, as shown and described.

**DESCRIPTION**

FIG. 1 is a perspective view of a fishing hook, showing our new design;  
FIG. 2 is a front elevational view thereof;  
FIG. 3 is a rear elevational view thereof;  
FIG. 4 is a left-side elevational view thereof, the right-side elevational view being a mirror image thereof;  
FIG. 5 is a top plan view thereof; and,  
FIG. 6 is a bottom plan view thereof.  
The broken lines in the figures depict portions of the fishing hook that form no part of the claimed design.

**1 Claim, 2 Drawing Sheets**



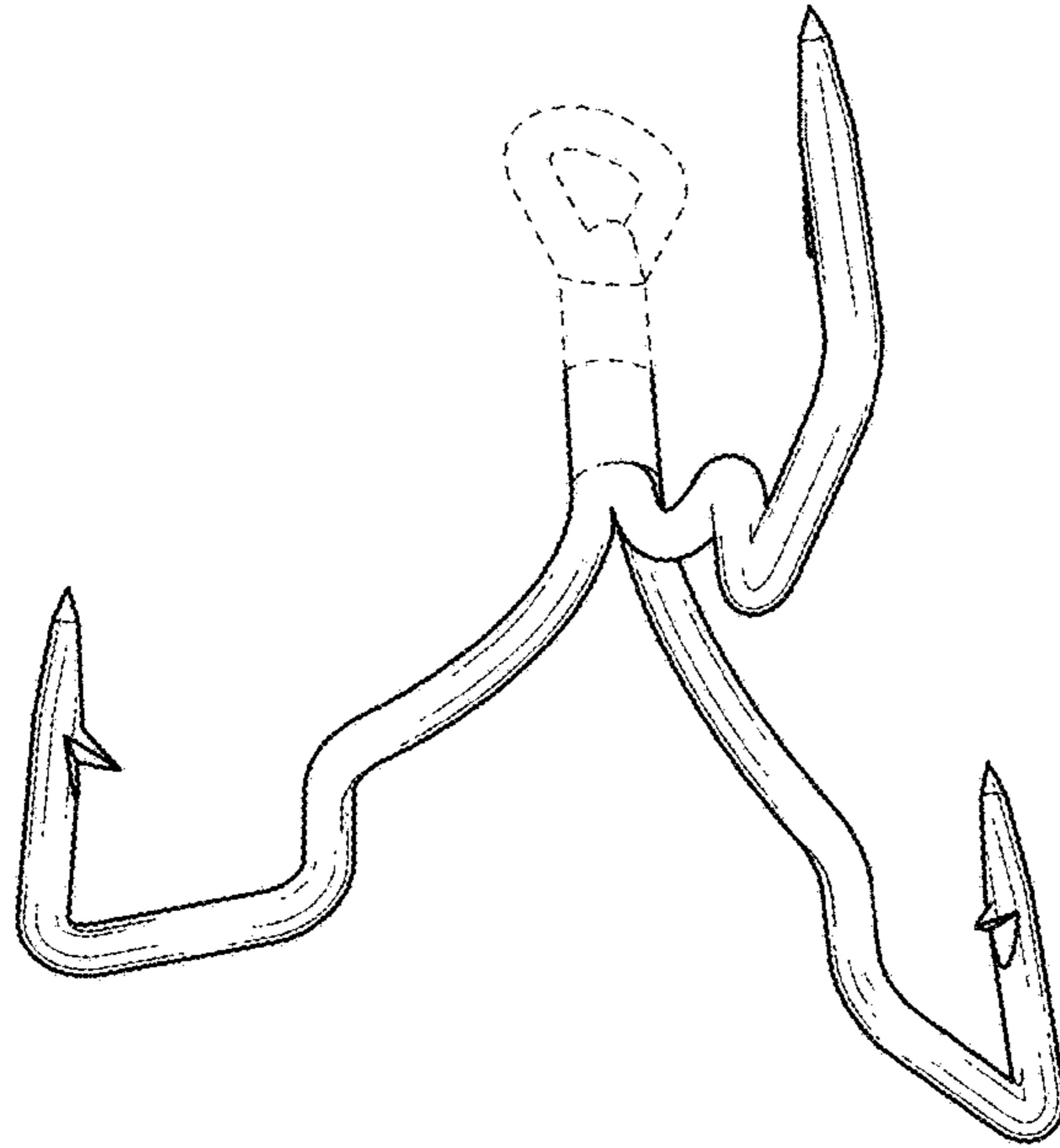


FIG. 1

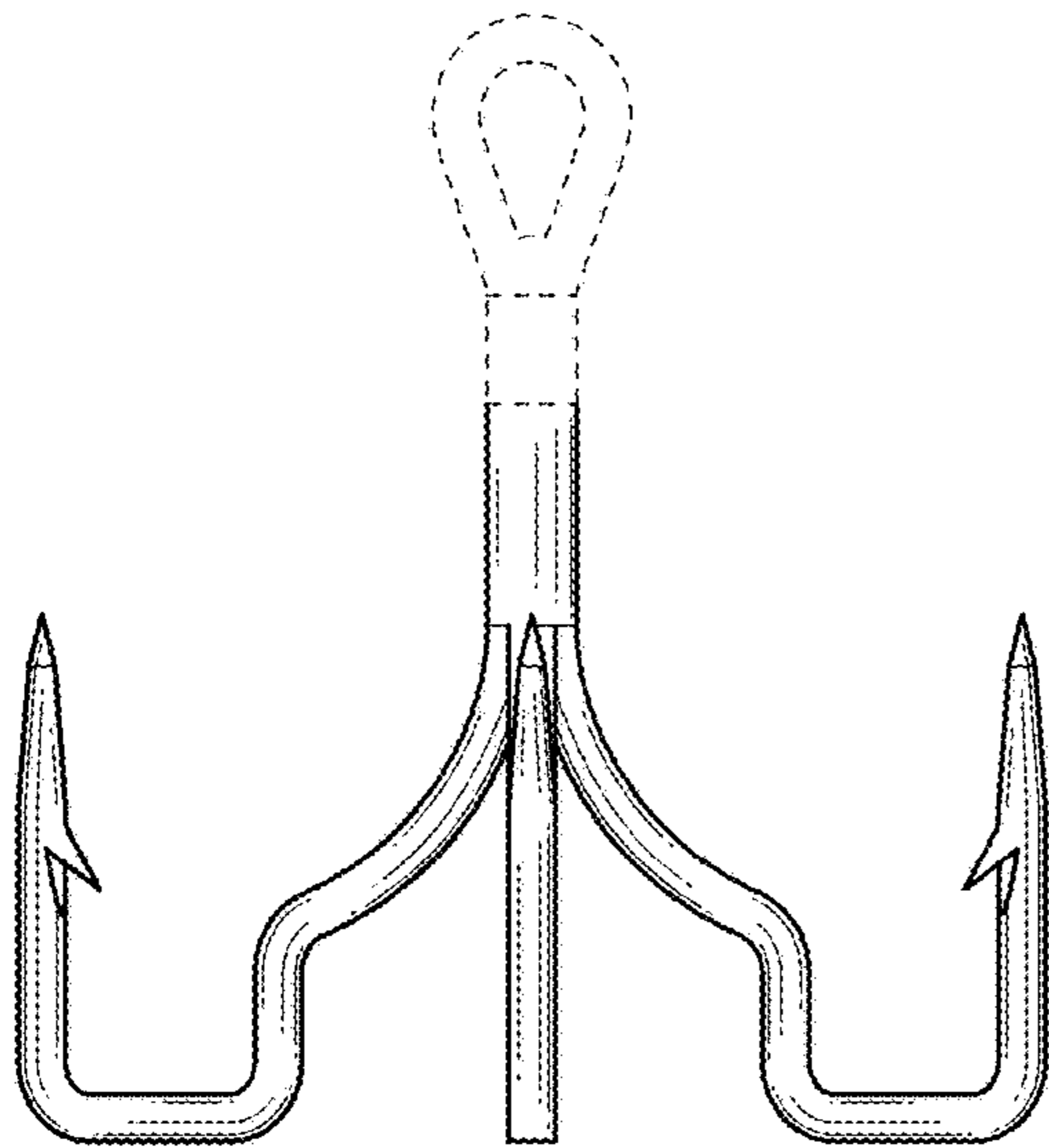


FIG. 2

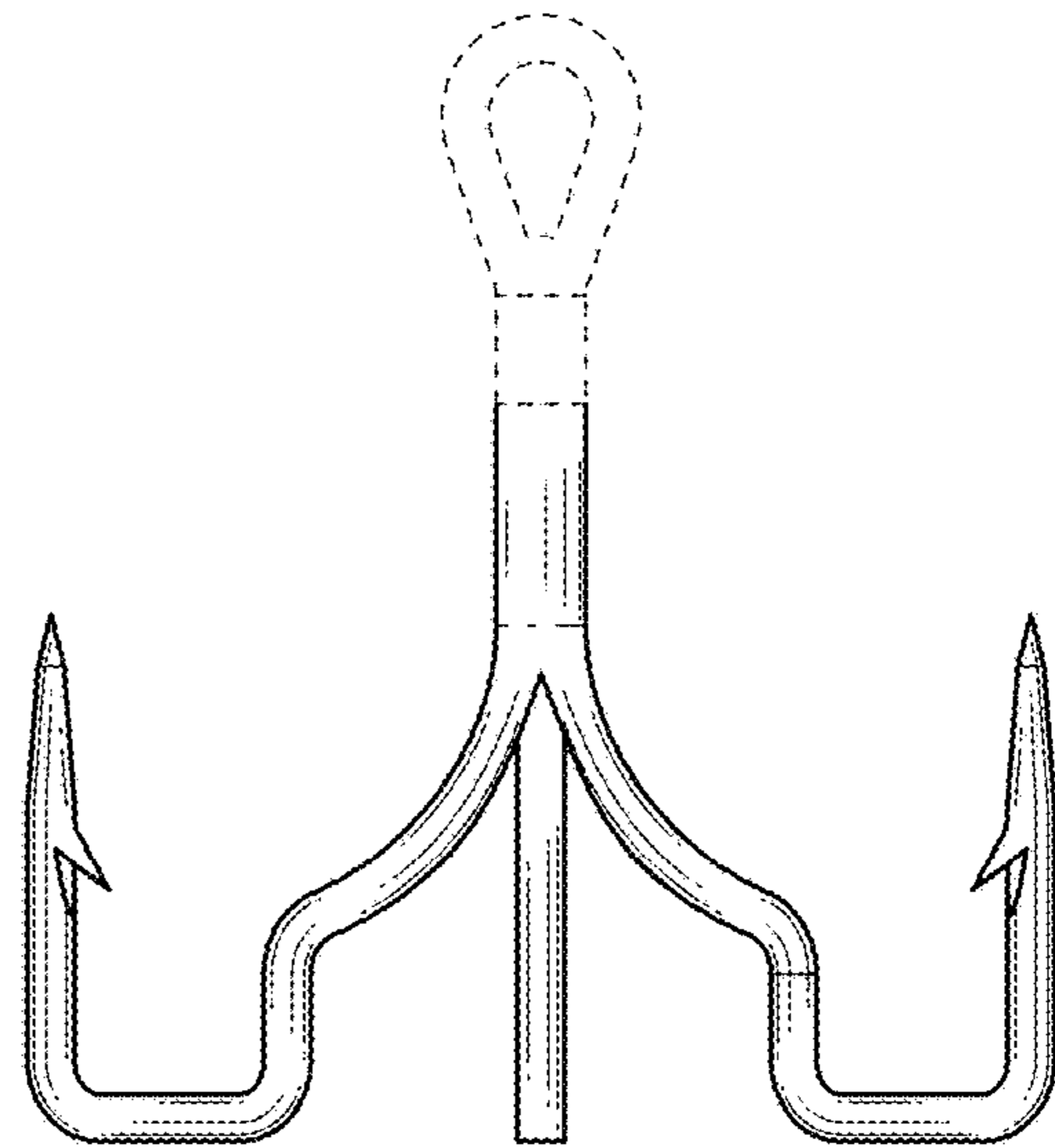


FIG. 3

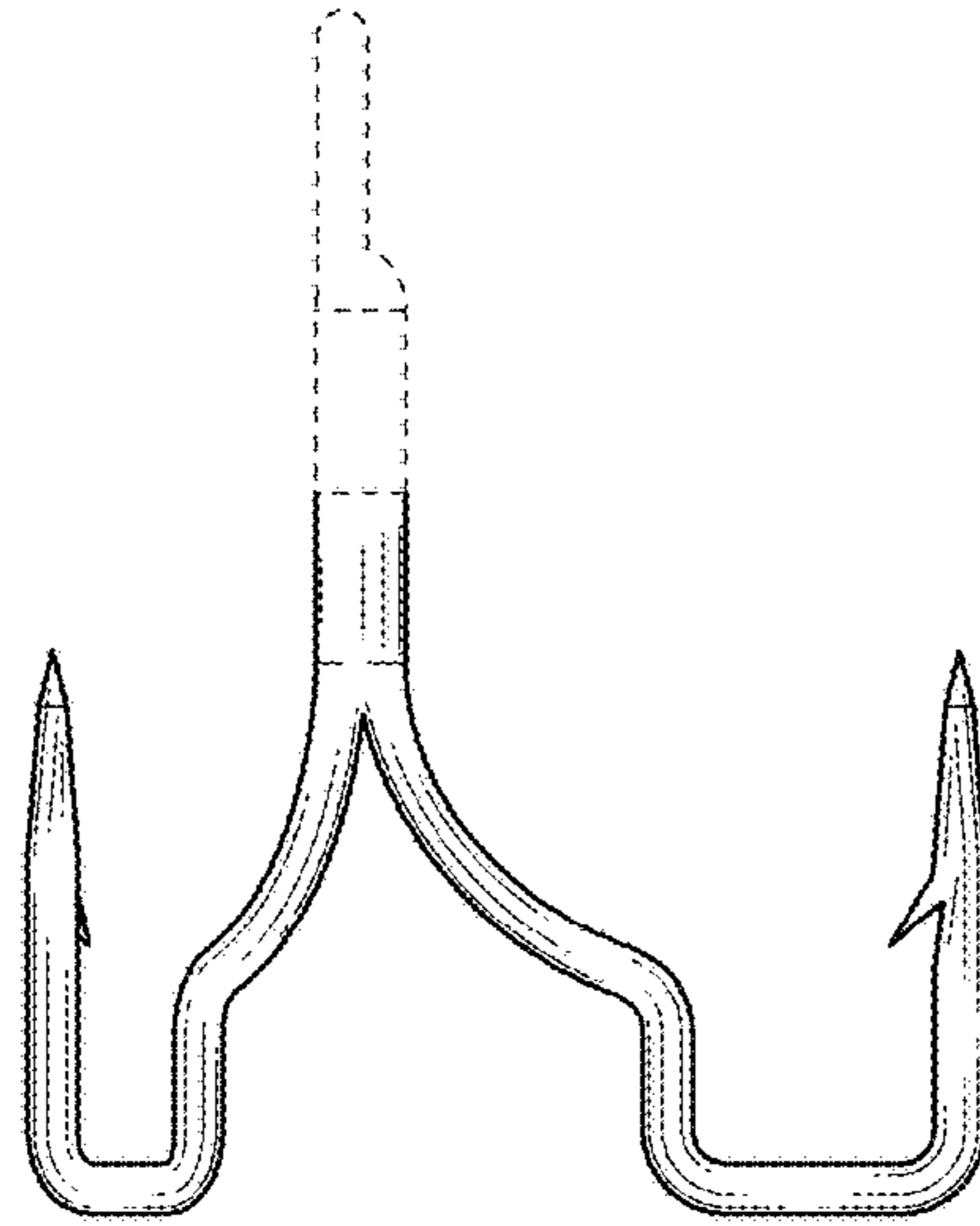


FIG. 4

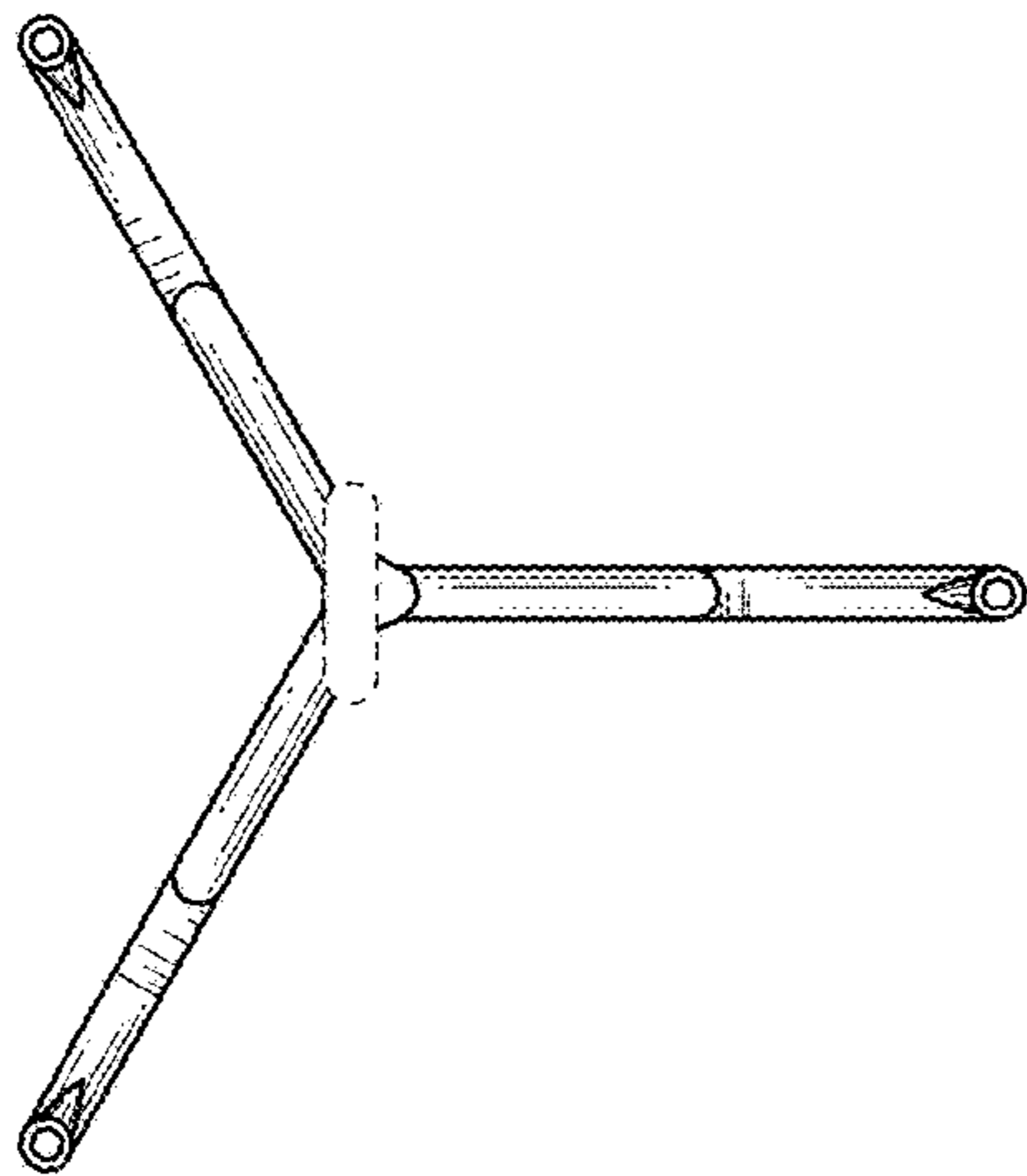


FIG. 5

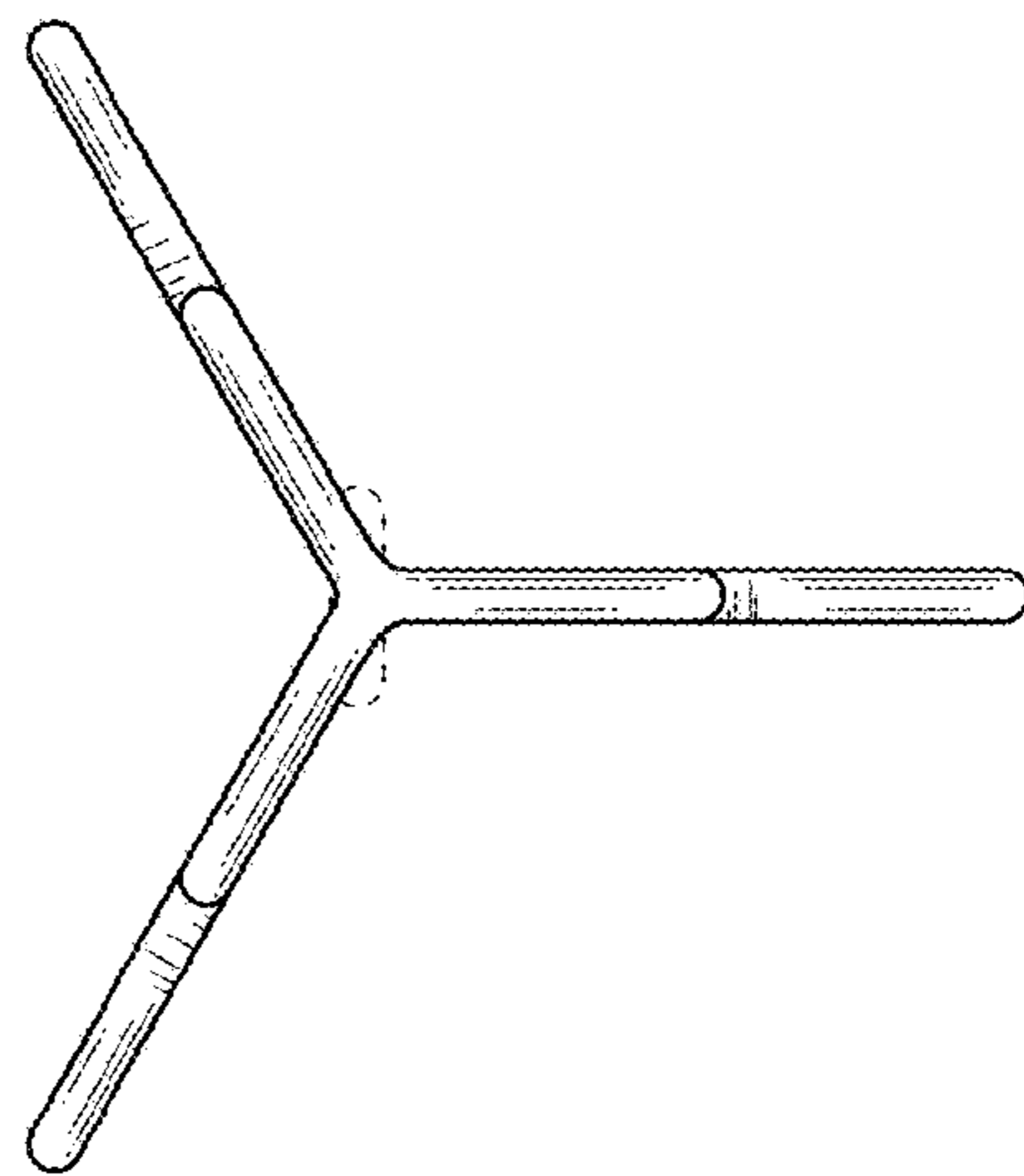


FIG. 6