



US00D820380S

(12) **United States Design Patent**  
**Humphreys, Jr. et al.**

(10) **Patent No.:** **US D820,380 S**  
(45) **Date of Patent:** **\*\* Jun. 12, 2018**

- (54) **BAIT BUCKET FLOAT**
- (71) Applicants: **William O Humphreys, Jr.**, Baton Rouge, LA (US); **Stephen E Miclette, Jr.**, Baton Rouge, LA (US)
- (72) Inventors: **William O Humphreys, Jr.**, Baton Rouge, LA (US); **Stephen E Miclette, Jr.**, Baton Rouge, LA (US)
- (\*\*) Term: **15 Years**
- (21) Appl. No.: **29/585,105**
- (22) Filed: **Nov. 21, 2016**

**Related U.S. Application Data**

- (62) Division of application No. 29/531,609, filed on Jun. 27, 2015, now Pat. No. Des. 785,129.
- (51) **LOC (11) Cl.** ..... **22-05**
- (52) **U.S. Cl.**  
USPC ..... **D22/136**
- (58) **Field of Classification Search**  
USPC ..... D21/473, 474, 803; D22/121, 125, 126, D22/136, 137, 146; D32/29, 37, 53  
CPC ..... A01K 97/00; A01K 97/02; A01K 97/04; B63B 17/00; A01G 31/02; B65D 25/00; B65G 45/04  
See application file for complete search history.

(56) **References Cited**

**U.S. PATENT DOCUMENTS**

- 2,614,358 A \* 10/1952 Adams ..... A01K 97/02 43/43.1
- 4,903,429 A \* 2/1990 Tetenes ..... A01K 97/02 43/44.99
- D389,553 S \* 1/1998 Muto ..... D22/136
- 5,826,374 A \* 10/1998 Baca ..... A01G 31/02 47/60
- D426,686 S \* 6/2000 Clausen ..... D32/29

- D442,668 S \* 5/2001 Tobias ..... D22/136
- D462,737 S \* 9/2002 Lipari ..... D22/136
- 6,711,849 B1 \* 3/2004 Moretti ..... A01K 97/02 43/44.99
- D722,212 S \* 2/2015 Kim ..... D32/29
- D743,131 S \* 11/2015 Jeon ..... D32/29
- D748,880 S \* 2/2016 Lentine ..... D32/53
- D753,357 S \* 4/2016 Song ..... D32/29
- 2002/0020104 A1 \* 2/2002 Kolar ..... A01K 97/05 43/55
- 2004/0093787 A1 \* 5/2004 Kutzner ..... A01K 97/02 43/44.99
- 2009/0223114 A1 \* 9/2009 O'Brien ..... A01M 23/02 43/100
- 2014/0053448 A1 \* 2/2014 Kopolnek ..... A01K 97/02 43/4.5
- 2015/0319946 A1 \* 11/2015 Center ..... A01G 9/02 47/62 R
- 2016/0212983 A1 \* 7/2016 Boudreau ..... A01K 97/02

\* cited by examiner

*Primary Examiner* — Susan Bennett Hattan

*Assistant Examiner* — Suzanne E Tisdell

(74) *Attorney, Agent, or Firm* — nolaIP, LLC; Neil J. Coig

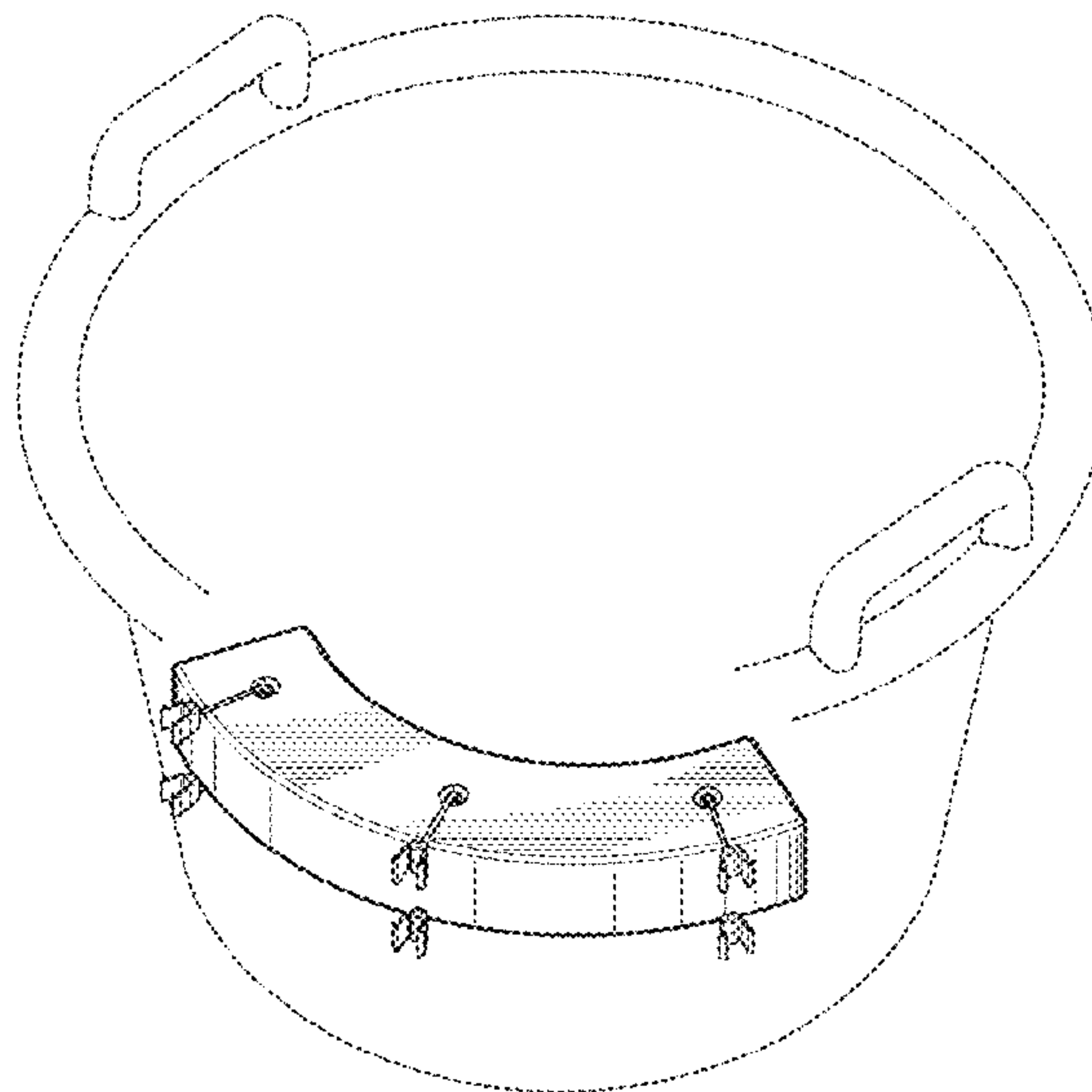
(57) **CLAIM**

The ornamental design for a bait bucket float, as shown and described.

**DESCRIPTION**

FIG. 1 is a perspective view of the bait bucket float. FIG. 2 is a left side view of the bait bucket float. FIG. 3 is a right side view of the bait bucket float. FIG. 4 is a front view of the bait bucket float. FIG. 5 is a rear view of the bait bucket float. FIG. 6 is a top view of the bait bucket float; and, FIG. 7 is a bottom view of the bait bucket float.

**1 Claim, 2 Drawing Sheets**



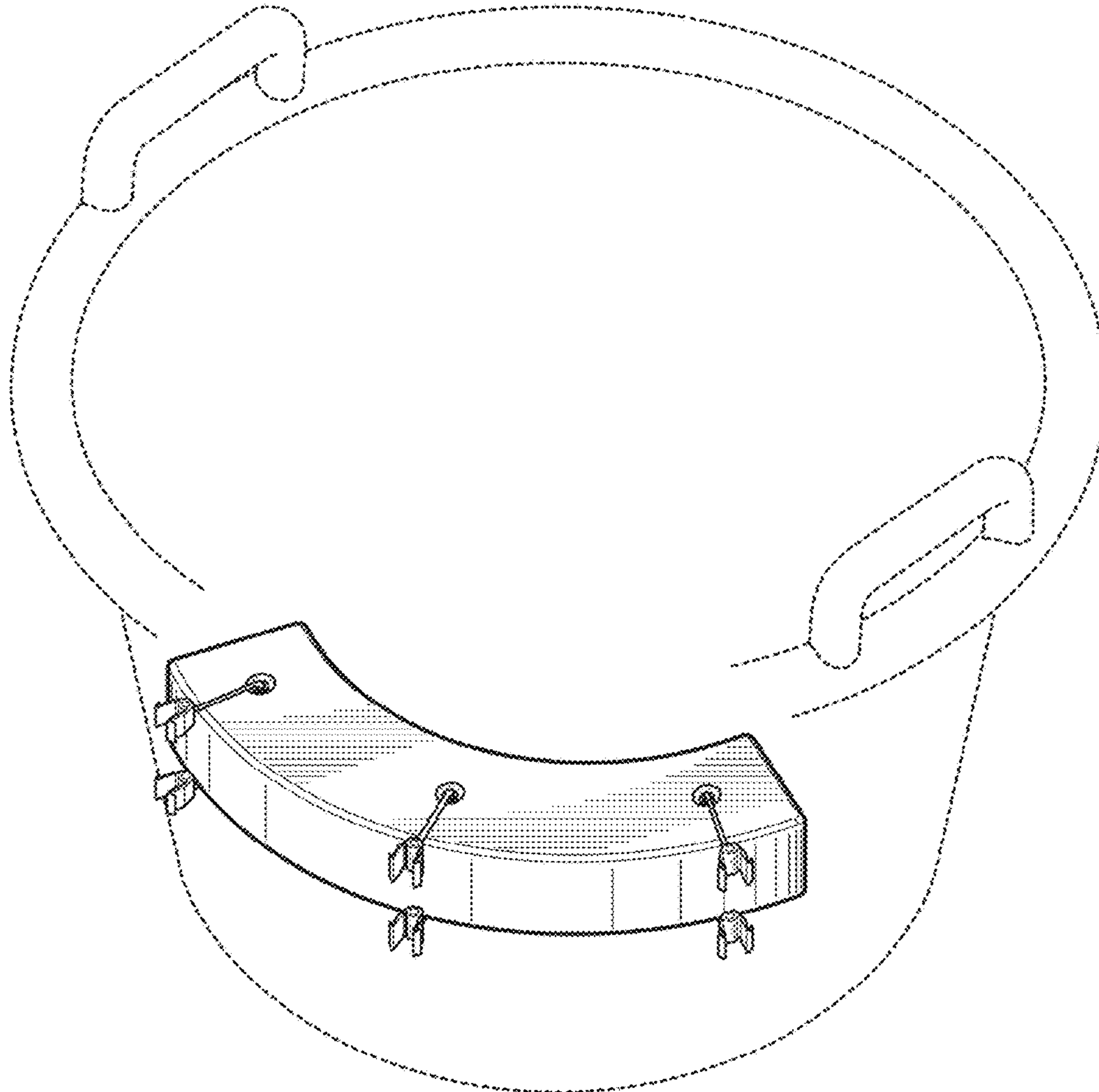


FIG. 1

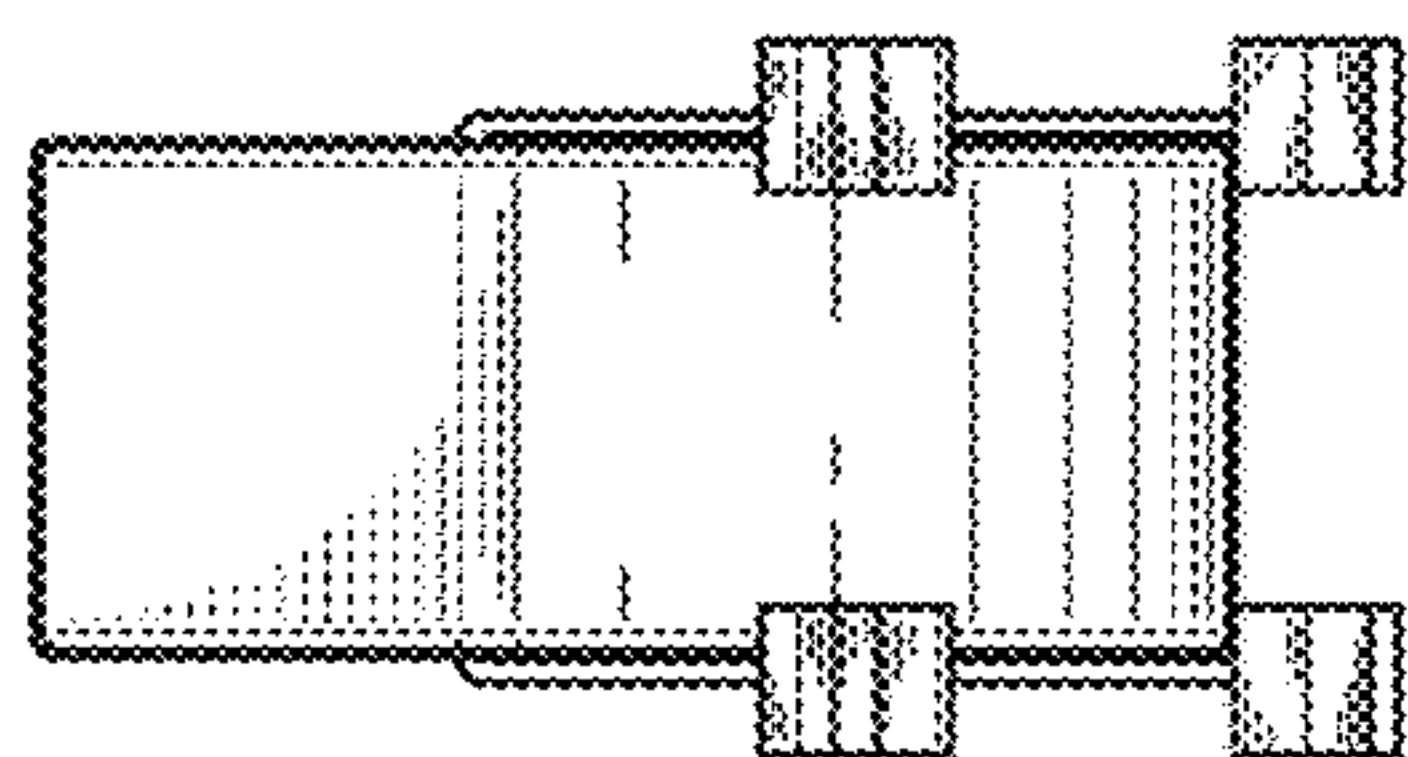


FIG. 2

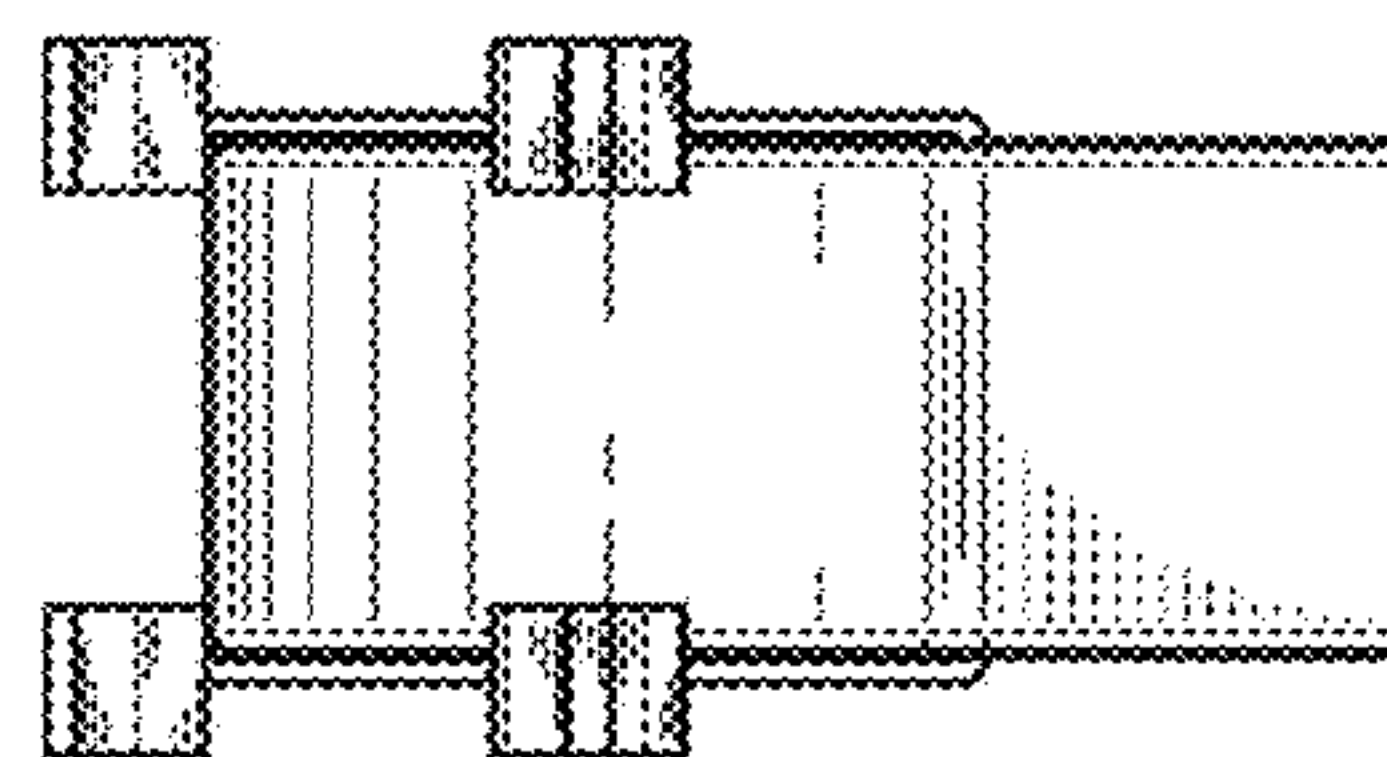


FIG. 3

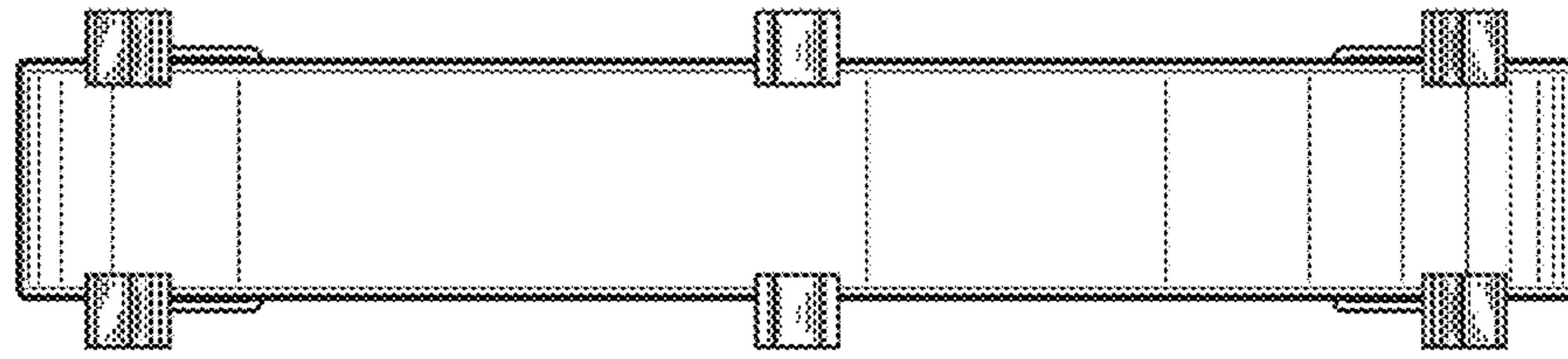


FIG. 4

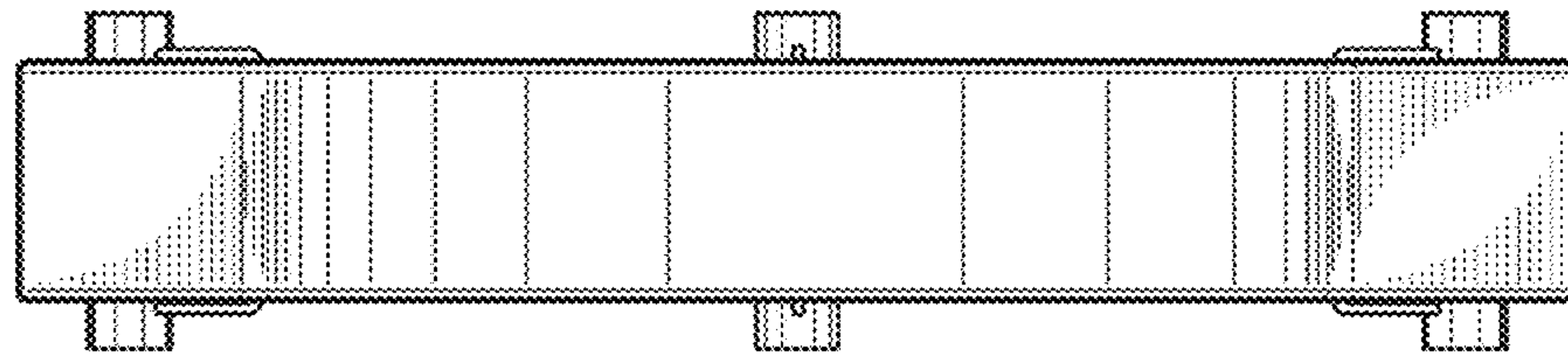


FIG. 5

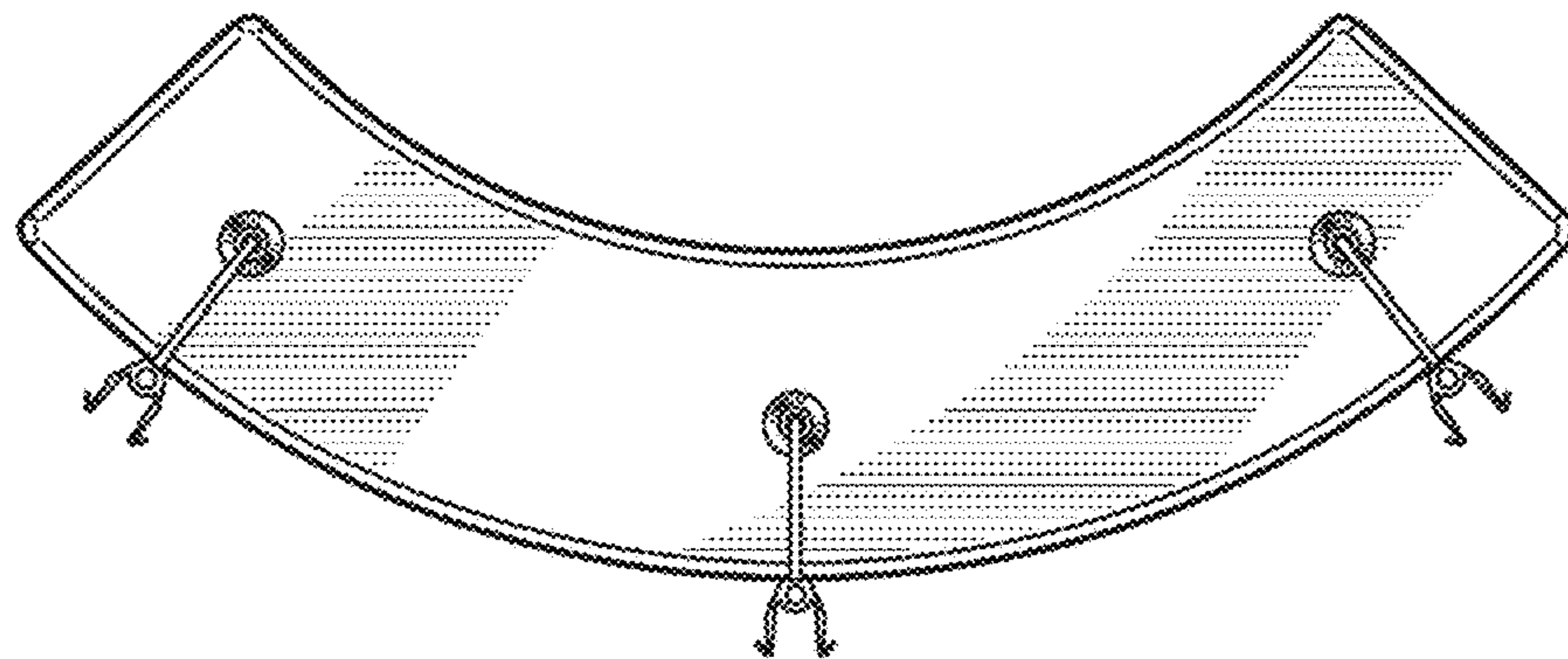


FIG. 6

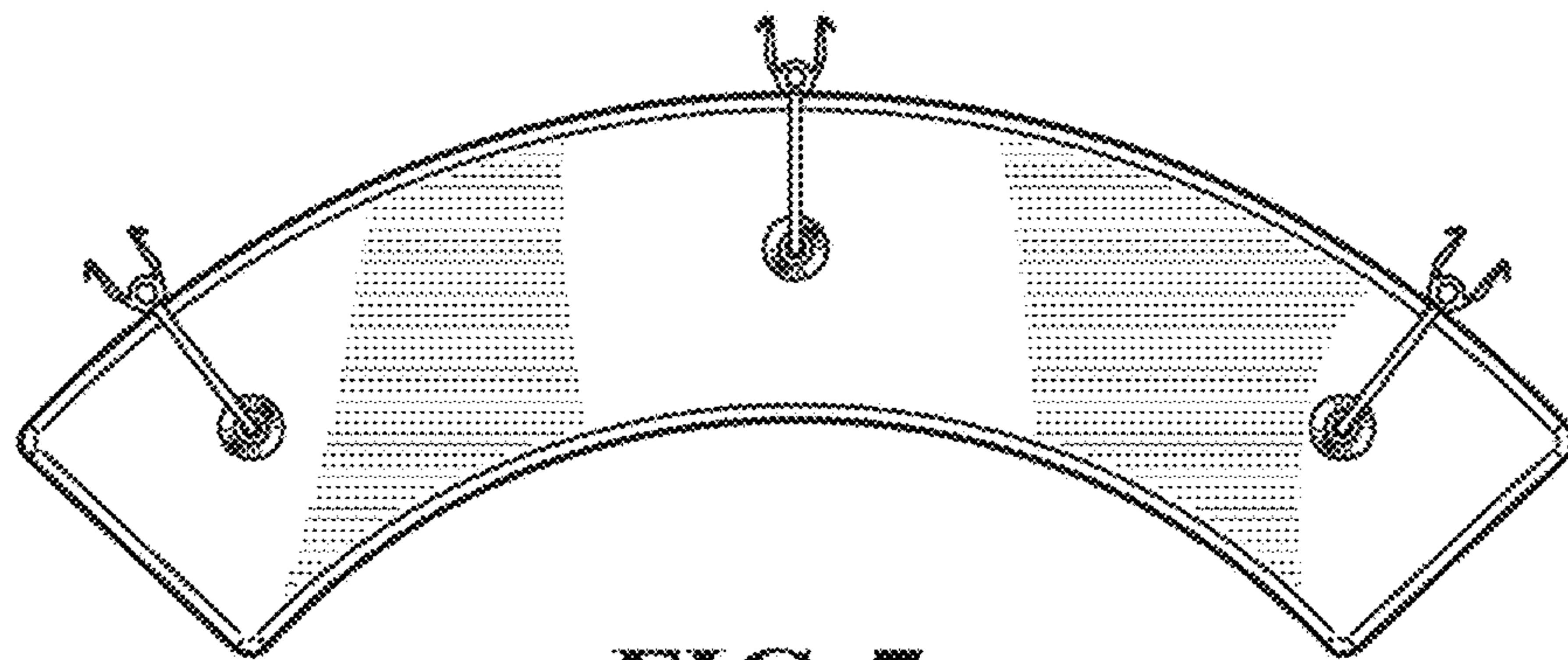


FIG. 7