



US00D820378S

(12) **United States Design Patent**  
**Enmeier et al.**

(10) **Patent No.:** **US D820,378 S**  
(45) **Date of Patent:** **\*\* Jun. 12, 2018**

(54) **KEEL ASSEMBLY FOR WATERFOWL DECOYS**

(71) Applicants: **Brett Allen Enmeier**, Stillwater, OK (US); **Stetson Burkhardt Enmeier**, Stillwater, OK (US)

(72) Inventors: **Brett Allen Enmeier**, Stillwater, OK (US); **Stetson Burkhardt Enmeier**, Stillwater, OK (US)

(\*\*) Term: **15 Years**

(21) Appl. No.: **29/577,900**

(22) Filed: **Sep. 16, 2016**

(51) **LOC (11) Cl.** ..... **22-05**

(52) **U.S. Cl.**  
USPC ..... **D22/125**

(58) **Field of Classification Search**  
USPC ..... D22/119, 125, 199; D3/229  
CPC ..... A01M 31/06; A63H 33/42; B65D 81/365  
See application file for complete search history.

(56) **References Cited**

**U.S. PATENT DOCUMENTS**

- 4,566,214 A \* 1/1986 McCrory ..... A01M 31/06  
43/3
- 5,981,004 A 11/1999 Kostic
- 6,212,816 B1 4/2001 Babbitt et al.  
(Continued)

**OTHER PUBLICATIONS**

Internet Printout: Prairiewind Decoys. Real Motion Kits by Greenhead Gear GHG Avery Products; US.

*Primary Examiner* — Karen S Acker  
*Assistant Examiner* — Steven B Reinholdt, Jr.

(74) *Attorney, Agent, or Firm* — Dennis D. Brown; Brown Patent Law, P.L.L.C.

(57) **CLAIM**

The ornamental design of a keel assembly for waterfowl decoys, as shown and described.

**DESCRIPTION**

FIG. 1 is a perspective view illustrating a keel dome element of the keel assembly for waterfowl decoys, according to my new design.

FIG. 2 is a rear elevational view of the keel dome element. FIG. 3 is a front elevational view of the keel dome element. FIG. 4 is a right side elevational view of the keel dome element.

FIG. 5 is a left side elevational view of the keel dome element.

FIG. 6 is a top view of the keel dome element.

FIG. 7 is a bottom view of the keel dome element.

FIG. 8 is a perspective view illustrating a keel post element of the keel assembly for waterfowl decoys.

FIG. 9 is a front elevational view of the keel post element.

FIG. 10 is a rear elevational view of the keel post element. FIG. 11 is a right side elevational view of the keel post element.

FIG. 12 is a left side elevational view of the keel post element.

FIG. 13 is a top view of the keel post element.

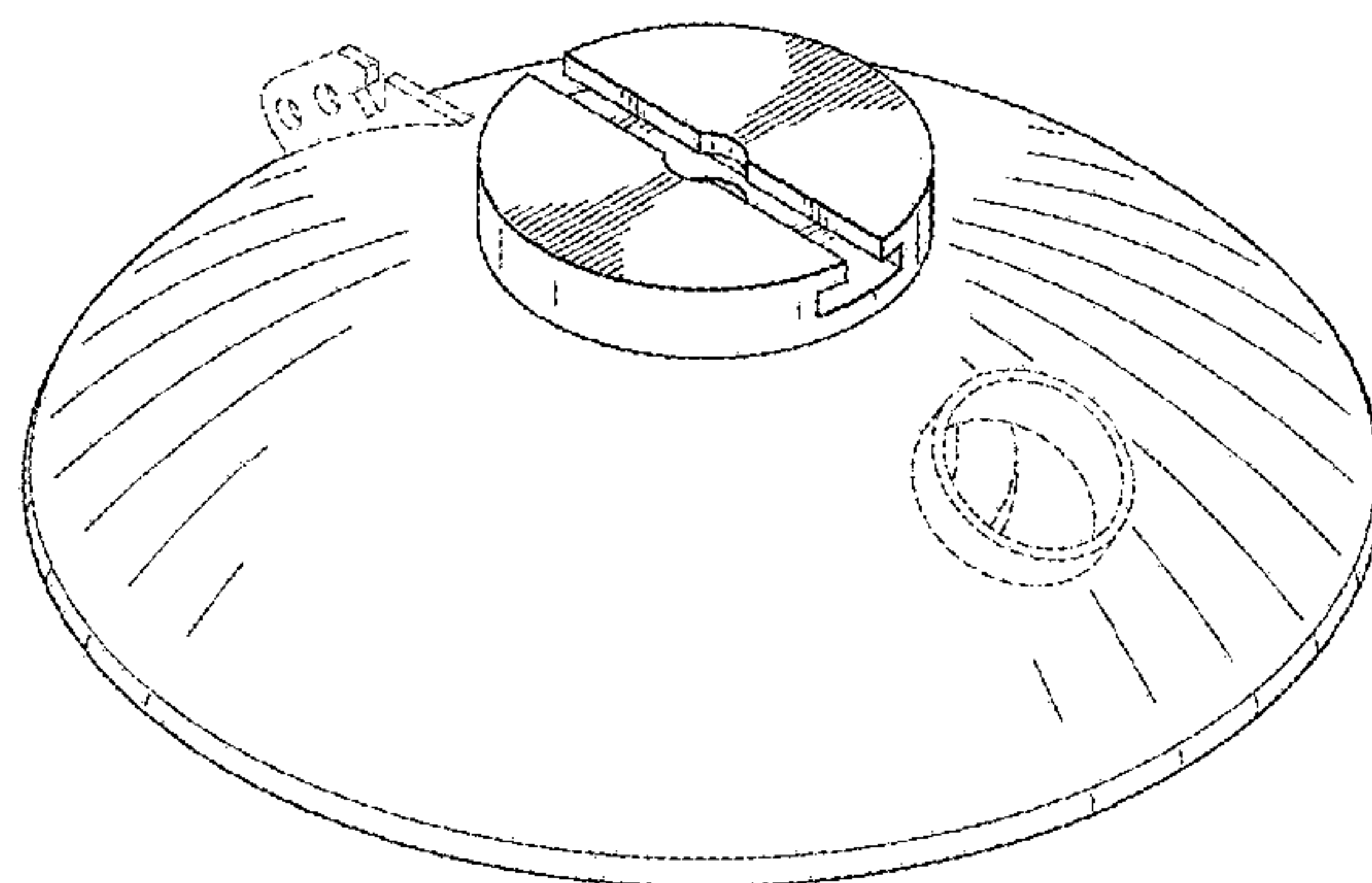
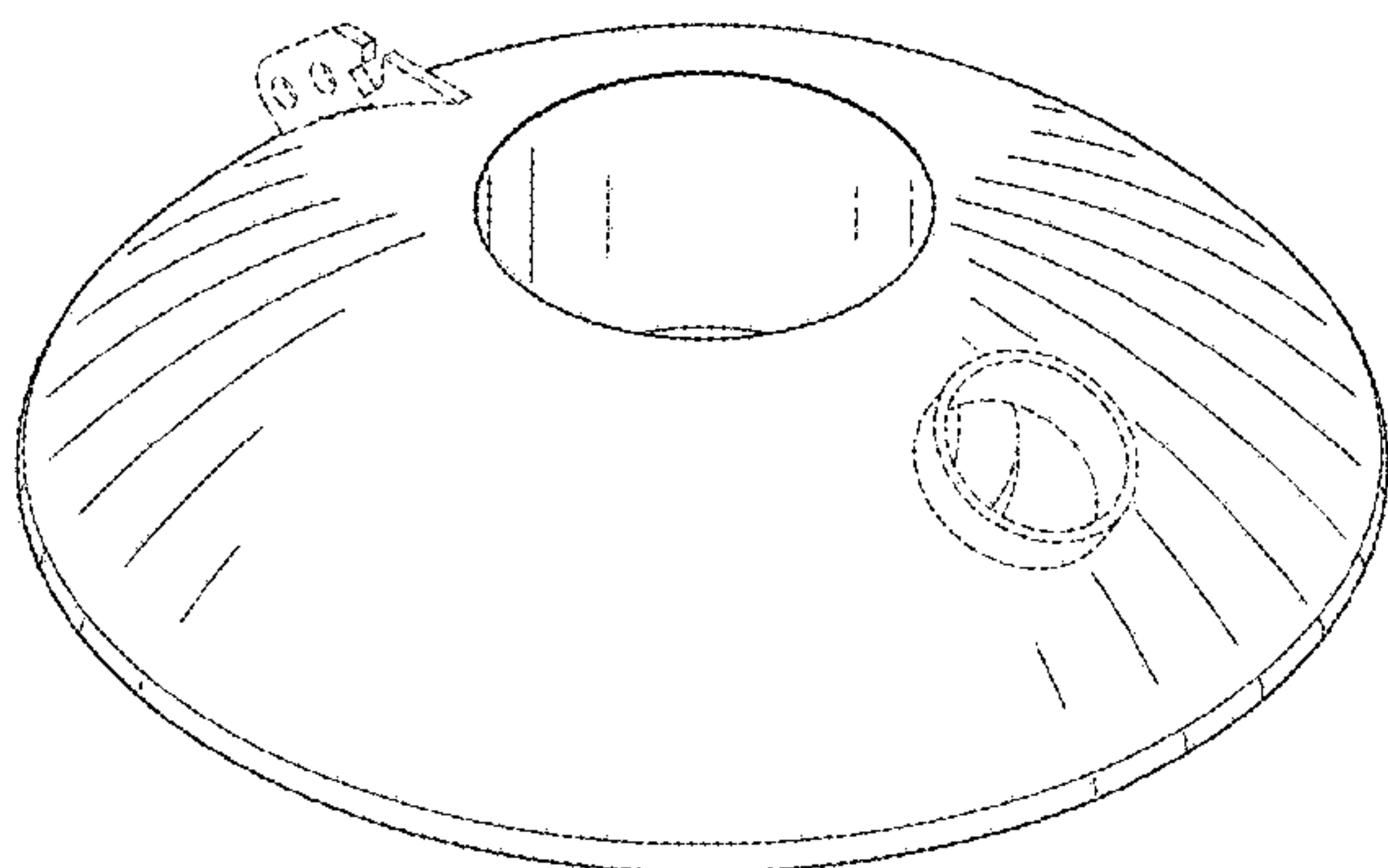
FIG. 14 is a bottom view of the keel post element.

FIG. 15 is a perspective assembled view of the keel assembly for waterfowl decoys showing the keel post element inserted in the keel dome element; and,

FIG. 16 is a perspective view showing the keel assembly for waterfowl decoys in a use configuration holding an unclaimed waterfowl decoy.

The broken lines depict portions of the keel assembly for waterfowl decoys that form no part of the claimed design. The broken lines showing a waterfowl in FIG. 16 illustrate environment that forms no part of the claim.

**1 Claim, 9 Drawing Sheets**



(56)

**References Cited**

U.S. PATENT DOCUMENTS

6,339,895	B1 *	1/2002	Lawson .....	A01M 31/06 43/3
6,748,690	B2	6/2004	Igo	
D501,526	S	2/2005	Matthews	
6,877,267	B2	4/2005	Burton	
D509,556	S	9/2005	Matthews	
D511,557	S	11/2005	Matthews	
D512,762	S *	12/2005	Comerford .....	D22/125
7,082,710	B1	8/2006	Jorgenson	
7,421,819	B2	9/2008	Zink, Jr.	
7,694,451	B1	4/2010	Zink, Jr.	
7,703,233	B2	4/2010	Zink, Jr. et al.	
7,716,866	B2	5/2010	Zink, Jr. et al.	
7,788,838	B2	9/2010	Anthony	
7,958,666	B2	6/2011	Rogers	
8,028,462	B2	10/2011	Sieman	
8,082,690	B2	12/2011	Zink, Jr.	
8,245,436	B2	8/2012	Dunkin	
8,484,883	B2	7/2013	Rogers	
D803,342	S *	11/2017	Goff .....	D22/108
2004/0025399	A1	2/2004	Donnigan et al.	
2006/0143968	A1 *	7/2006	Brint .....	A01M 31/06 43/2
2008/0172920	A1	7/2008	Brint et al.	
2010/0064569	A1	3/2010	Wyant	
2015/0282476	A1	10/2015	Mintz	

\* cited by examiner

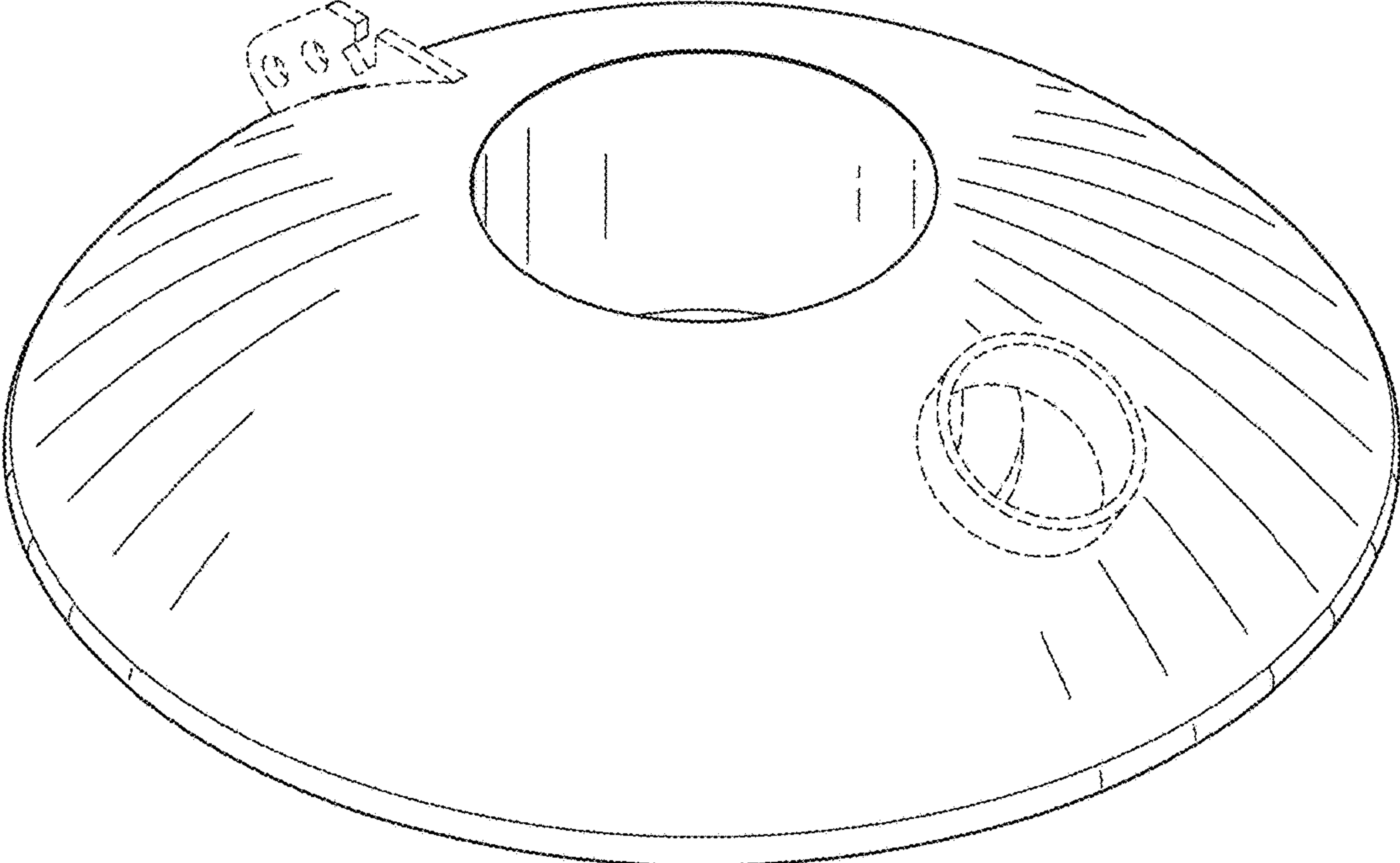


FIG. 1

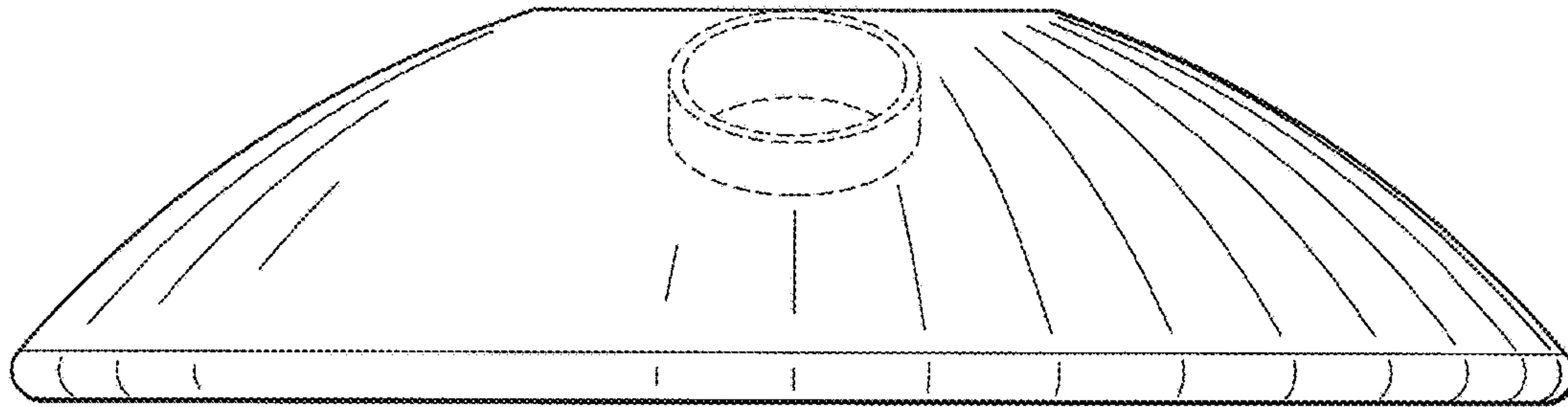


FIG. 2

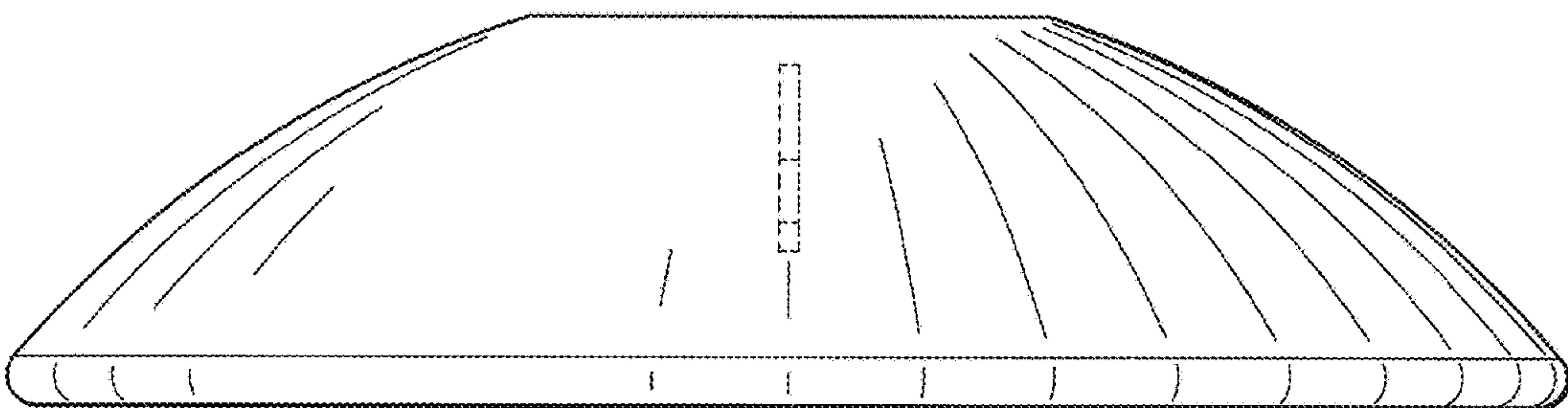


FIG. 3

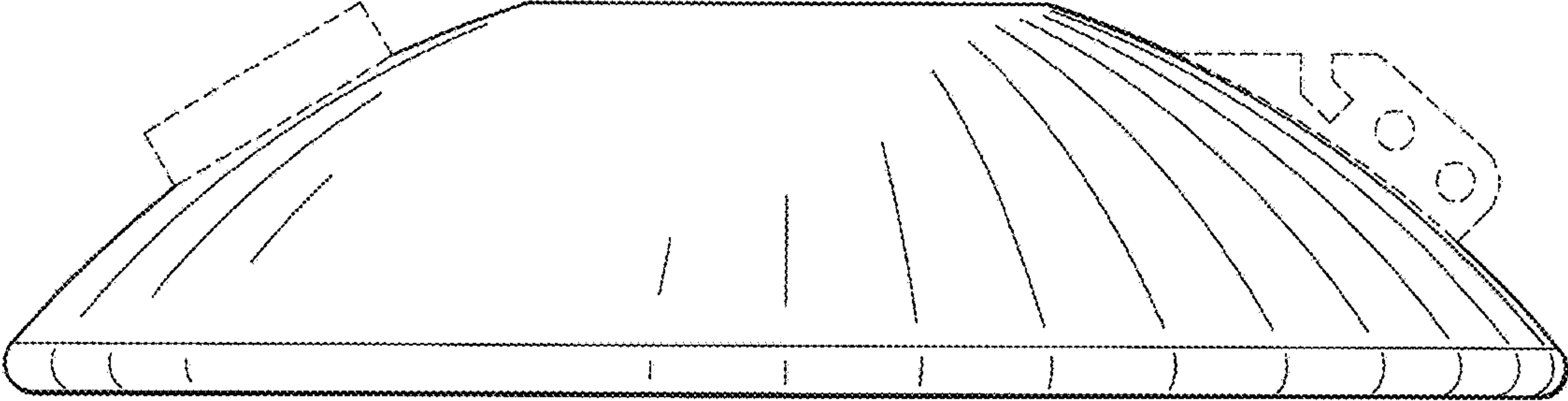


FIG. 4

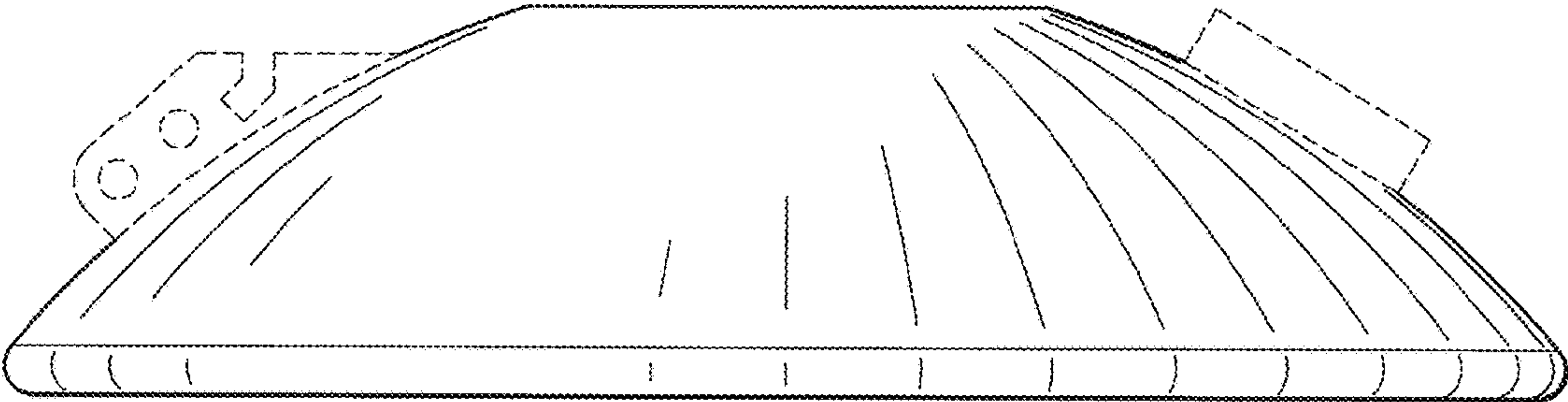


FIG. 5



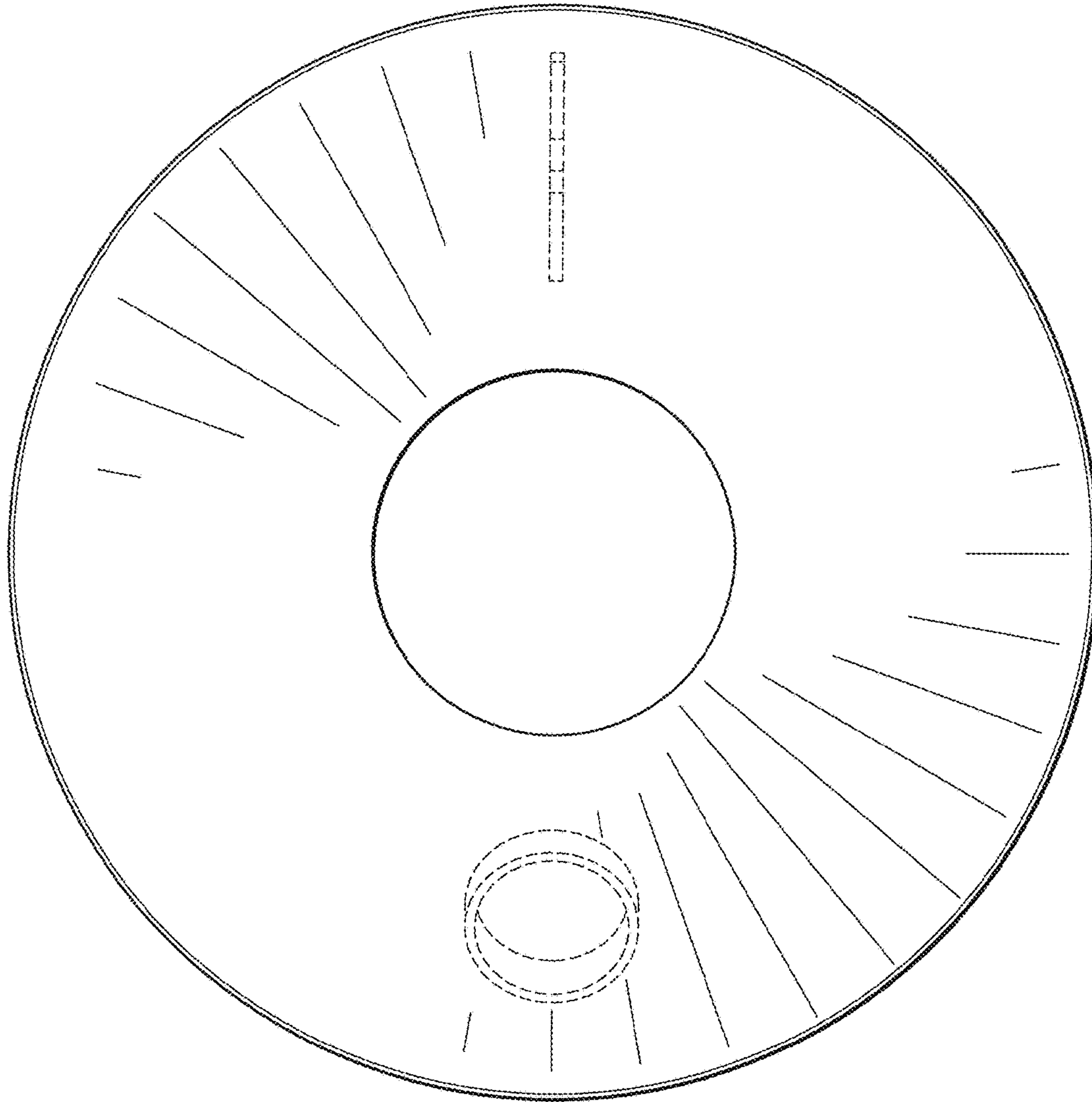


FIG. 6

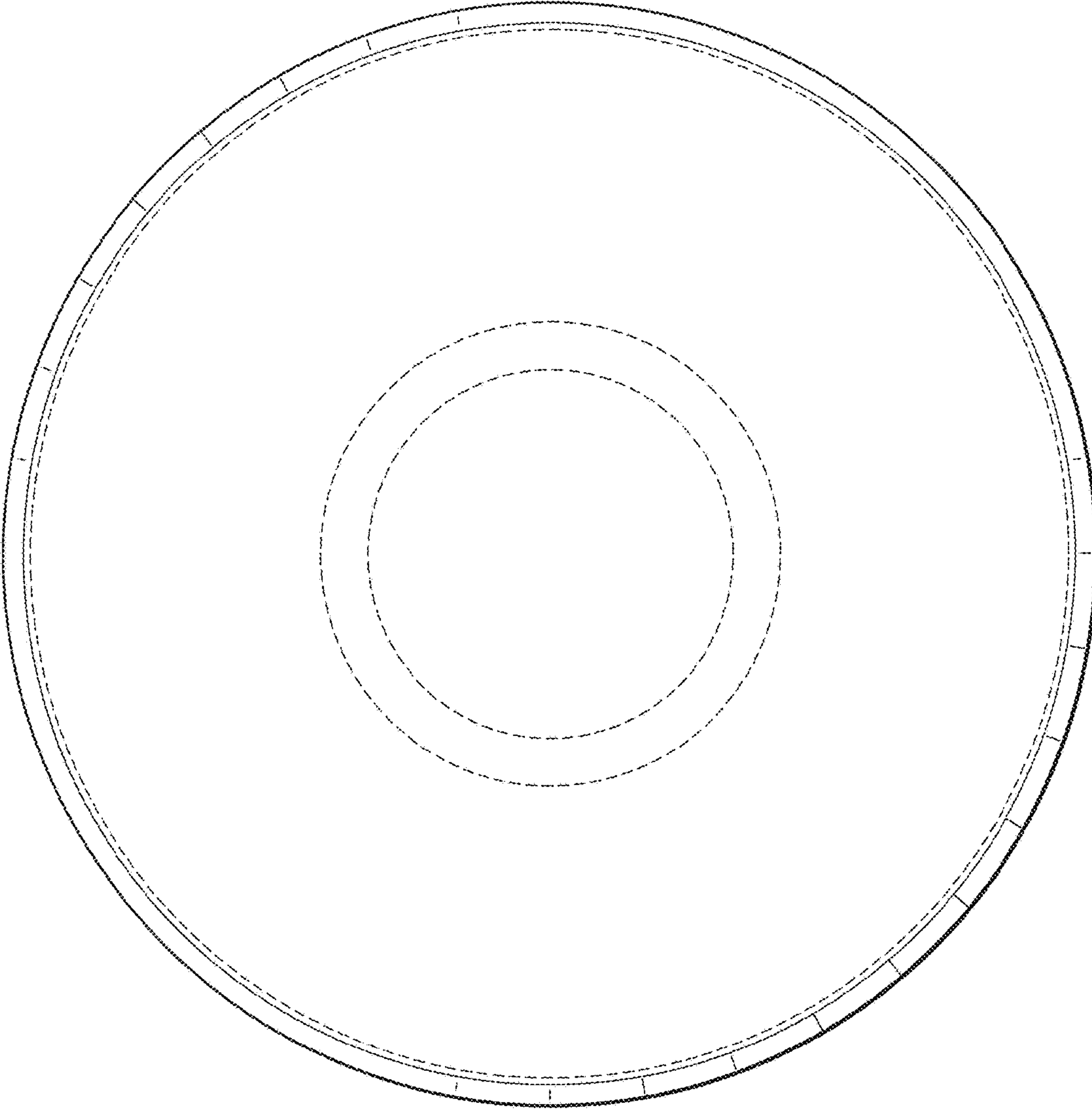


FIG. 7

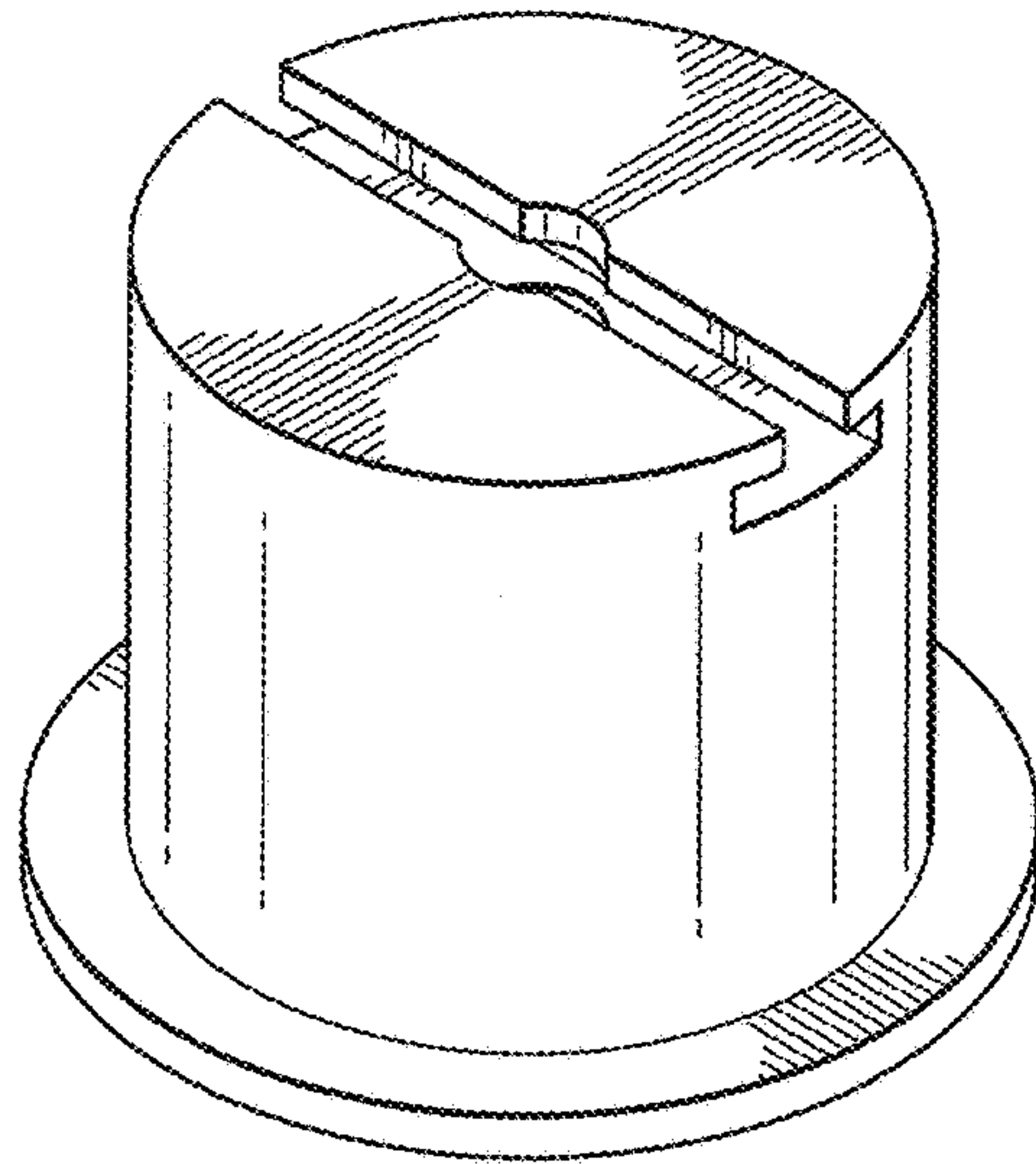


FIG. 8

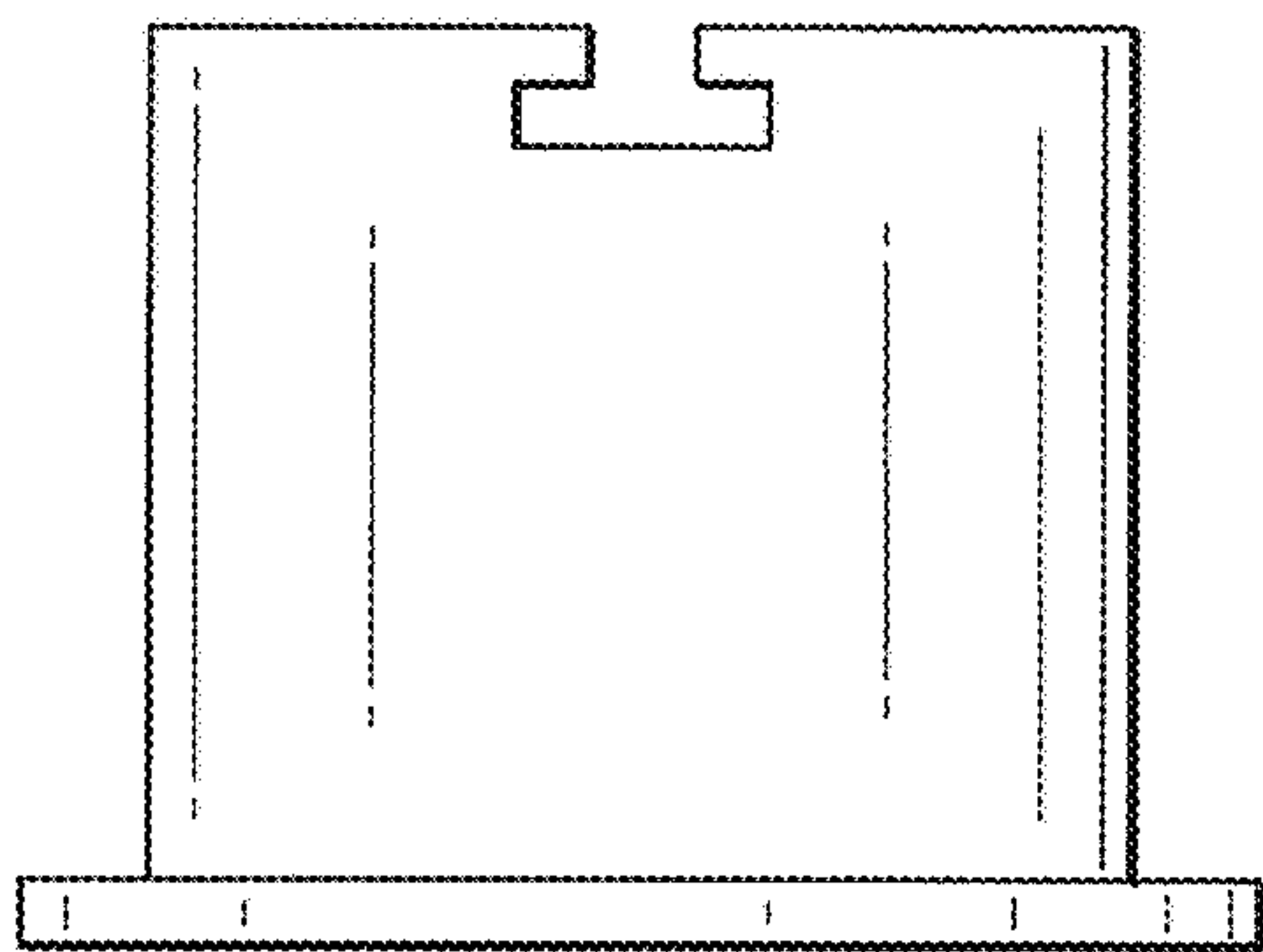


FIG. 9

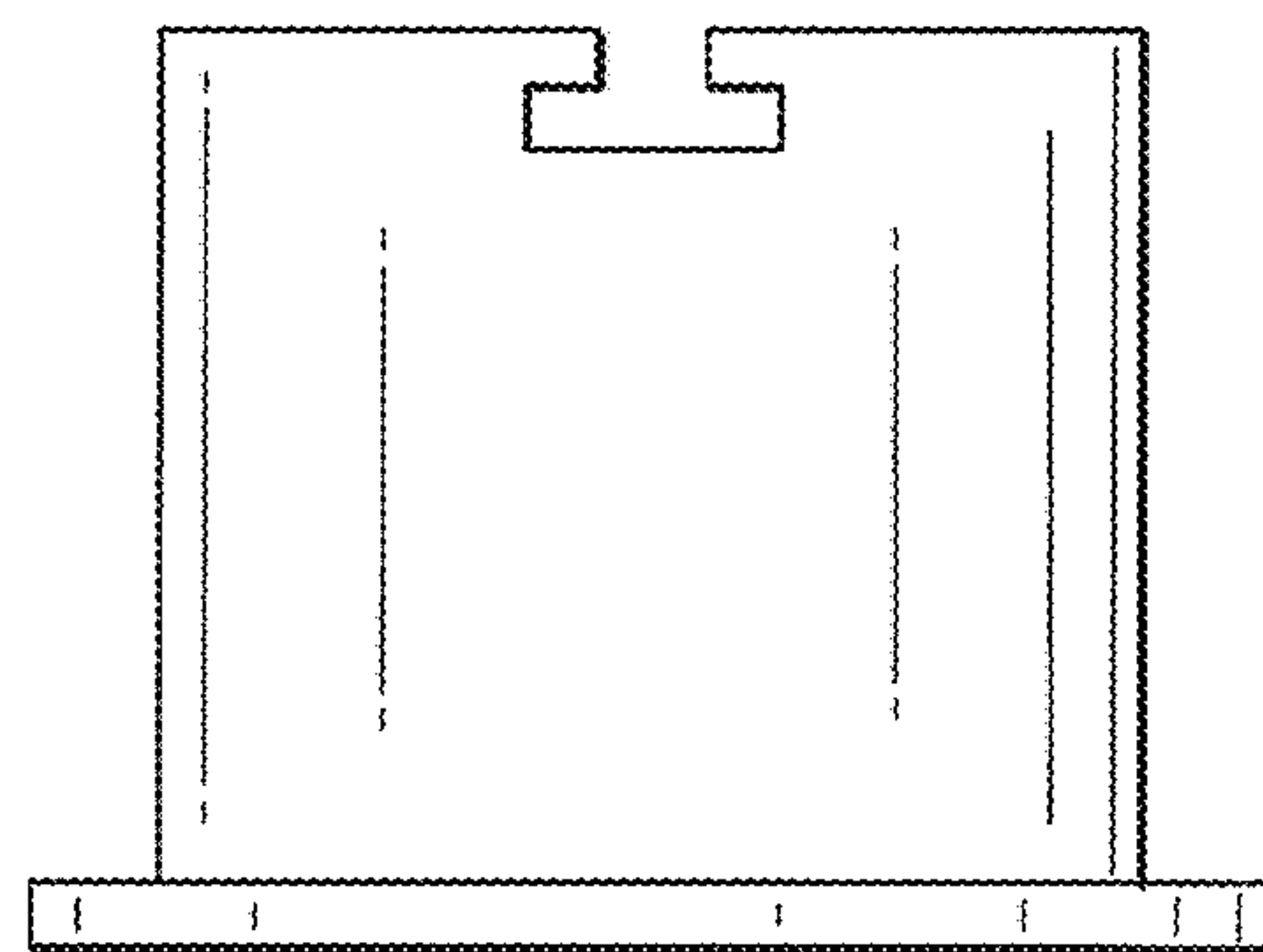


FIG. 10



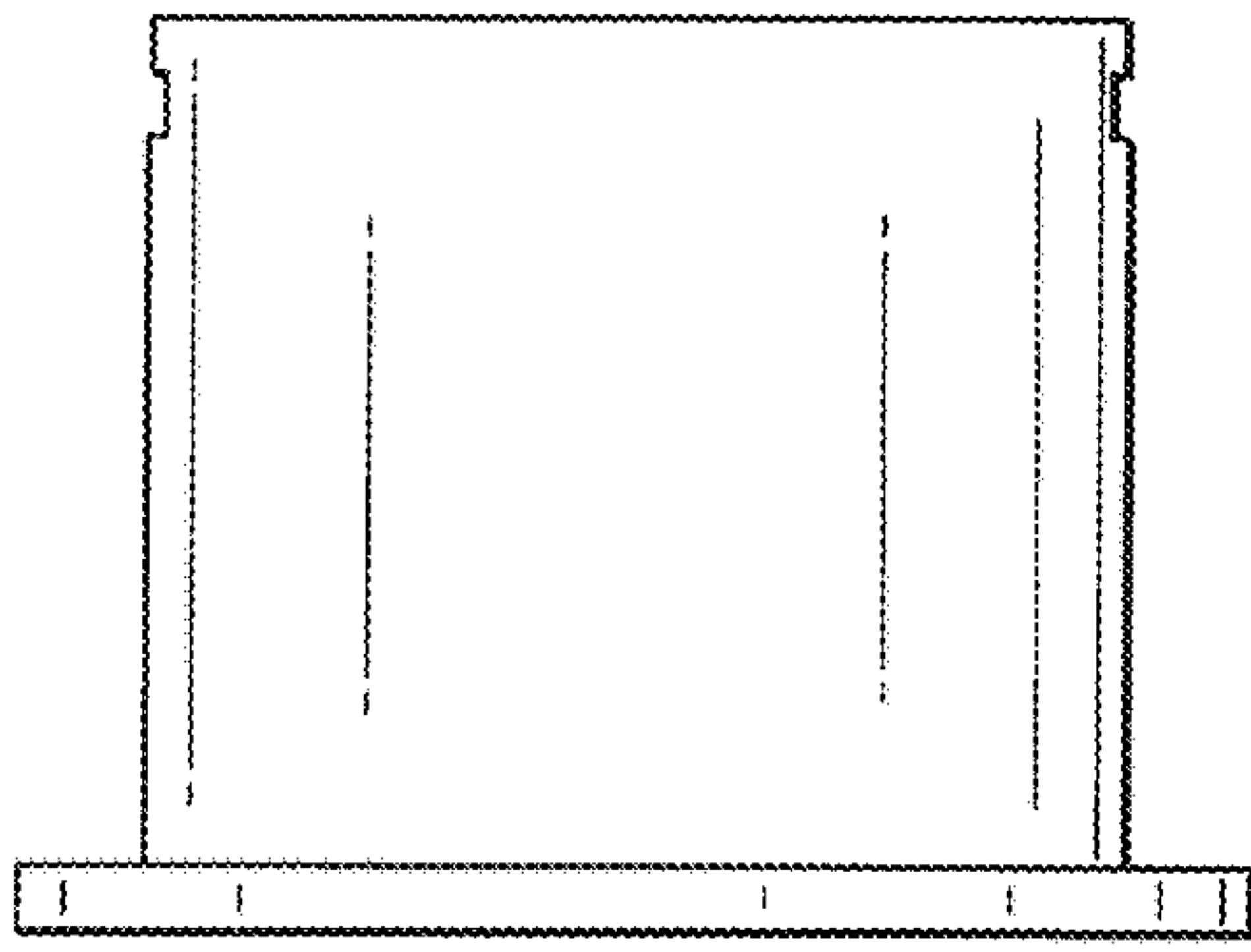


FIG. 11

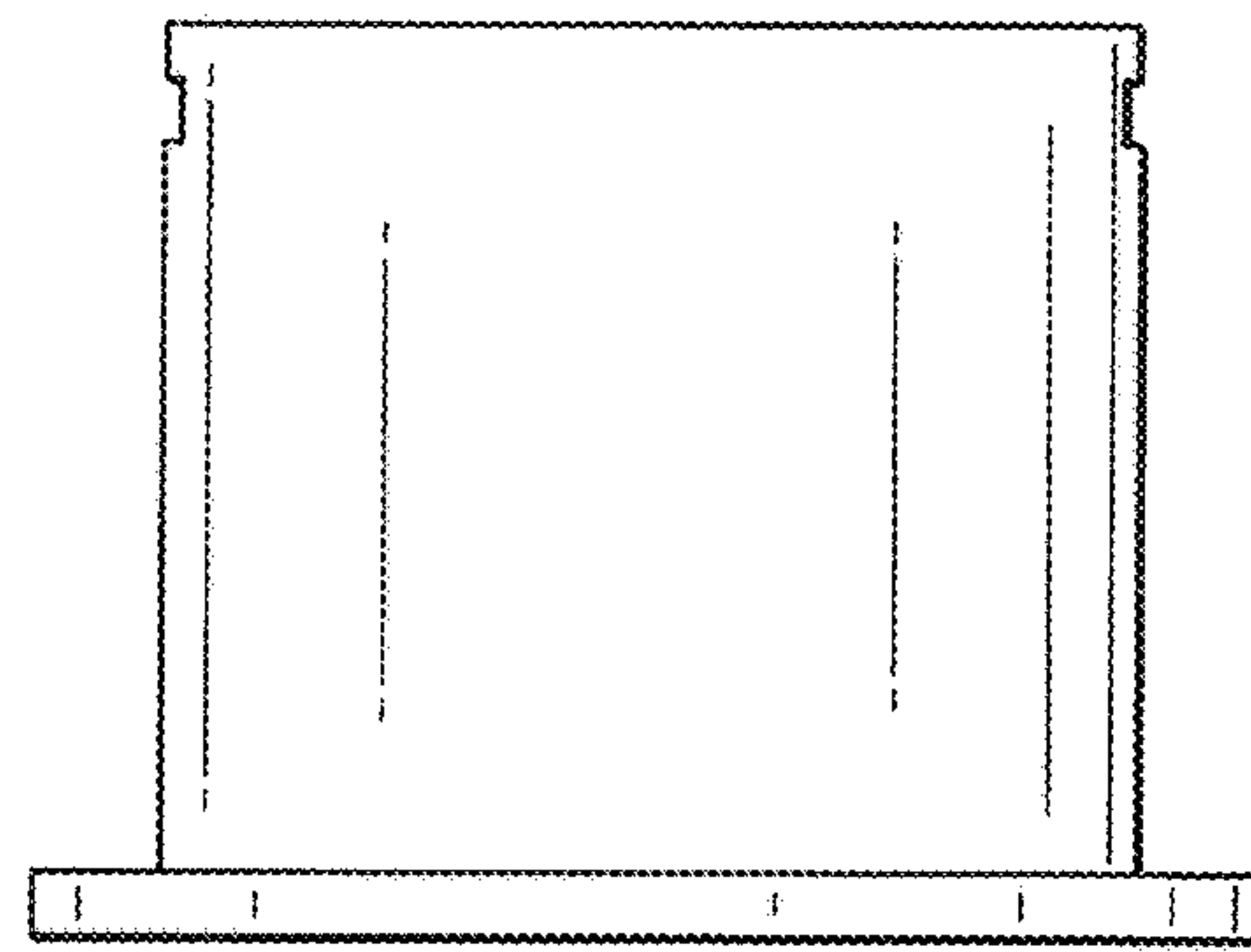


FIG. 12

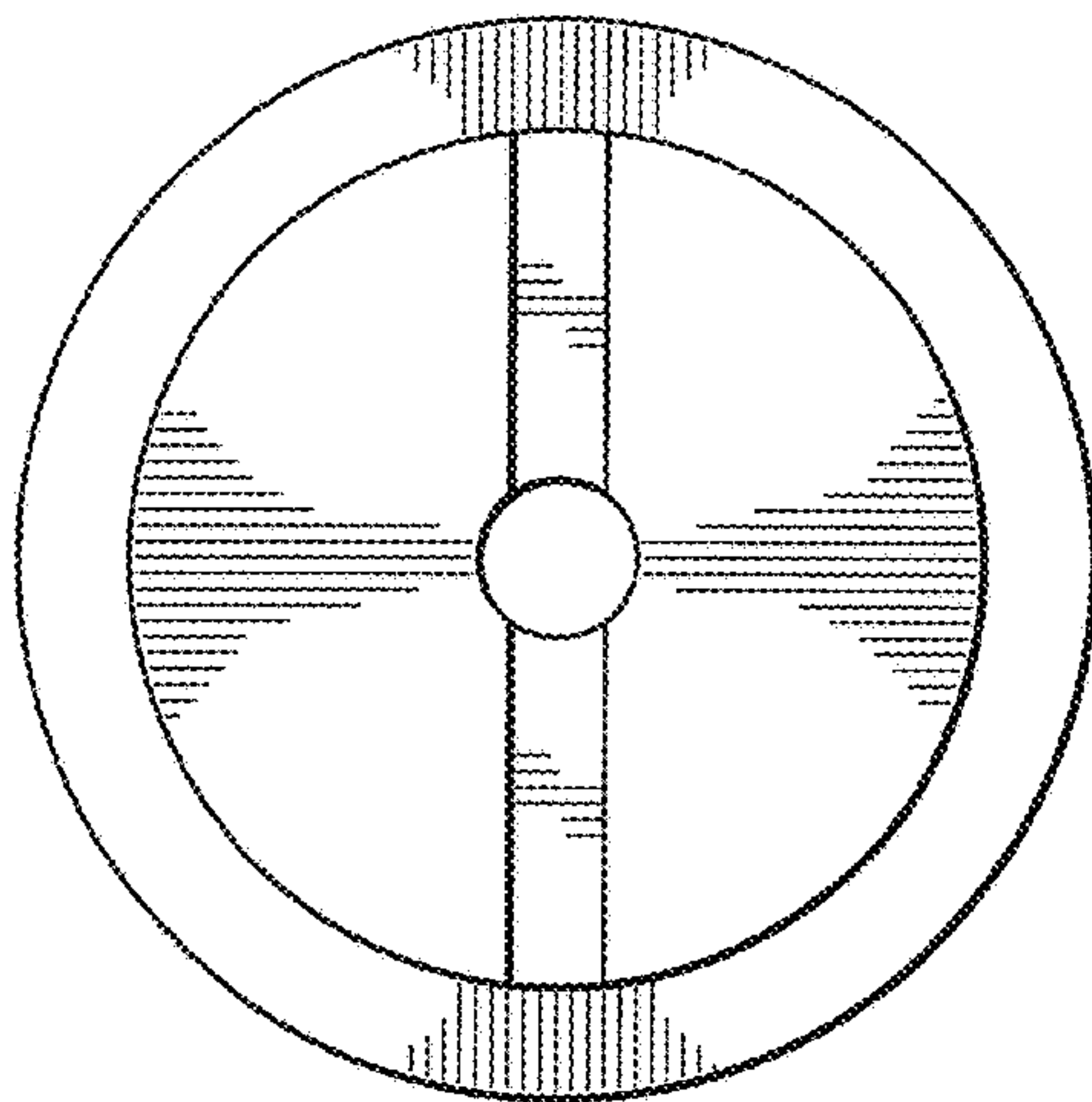


FIG. 13

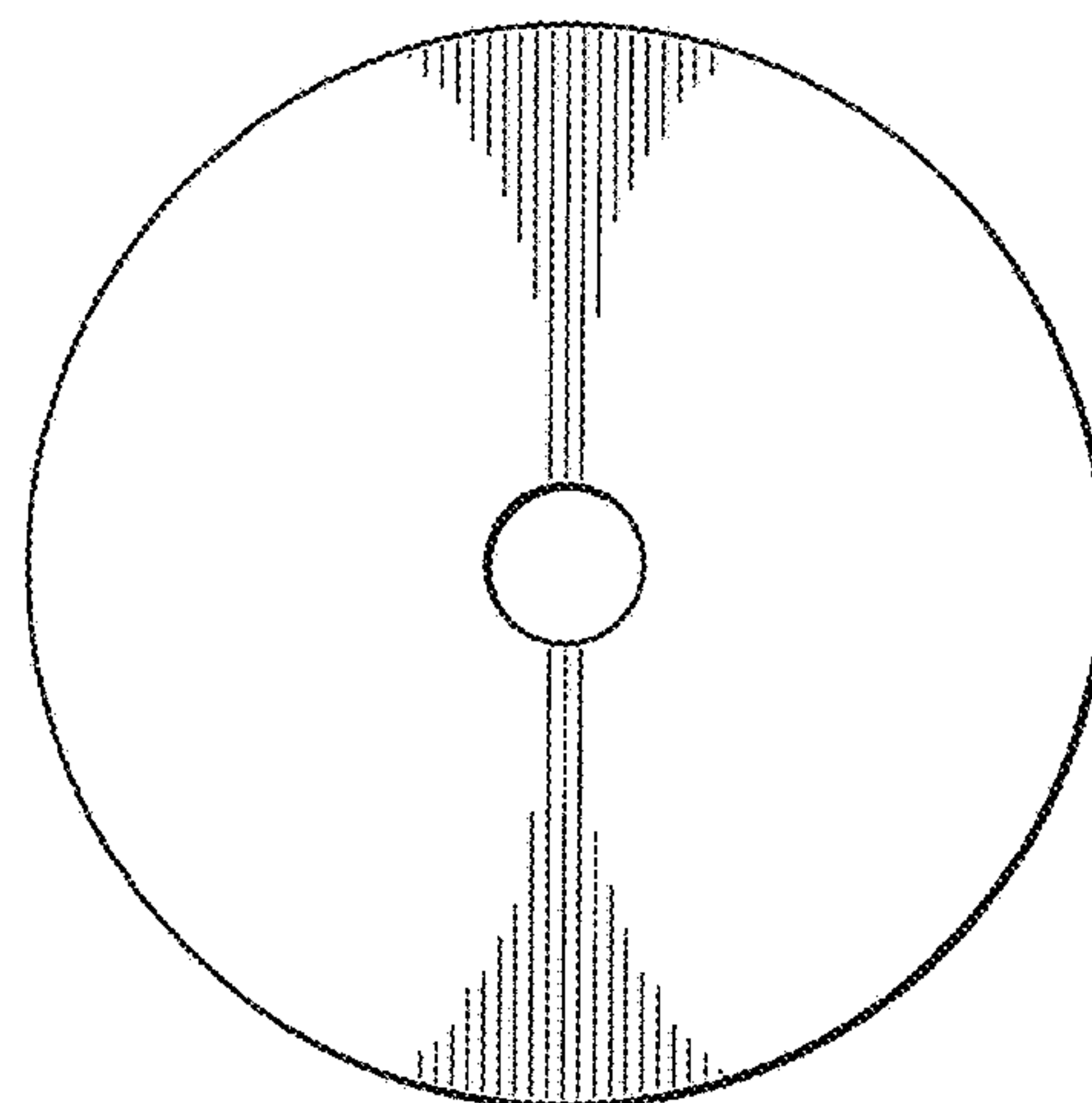


FIG. 14

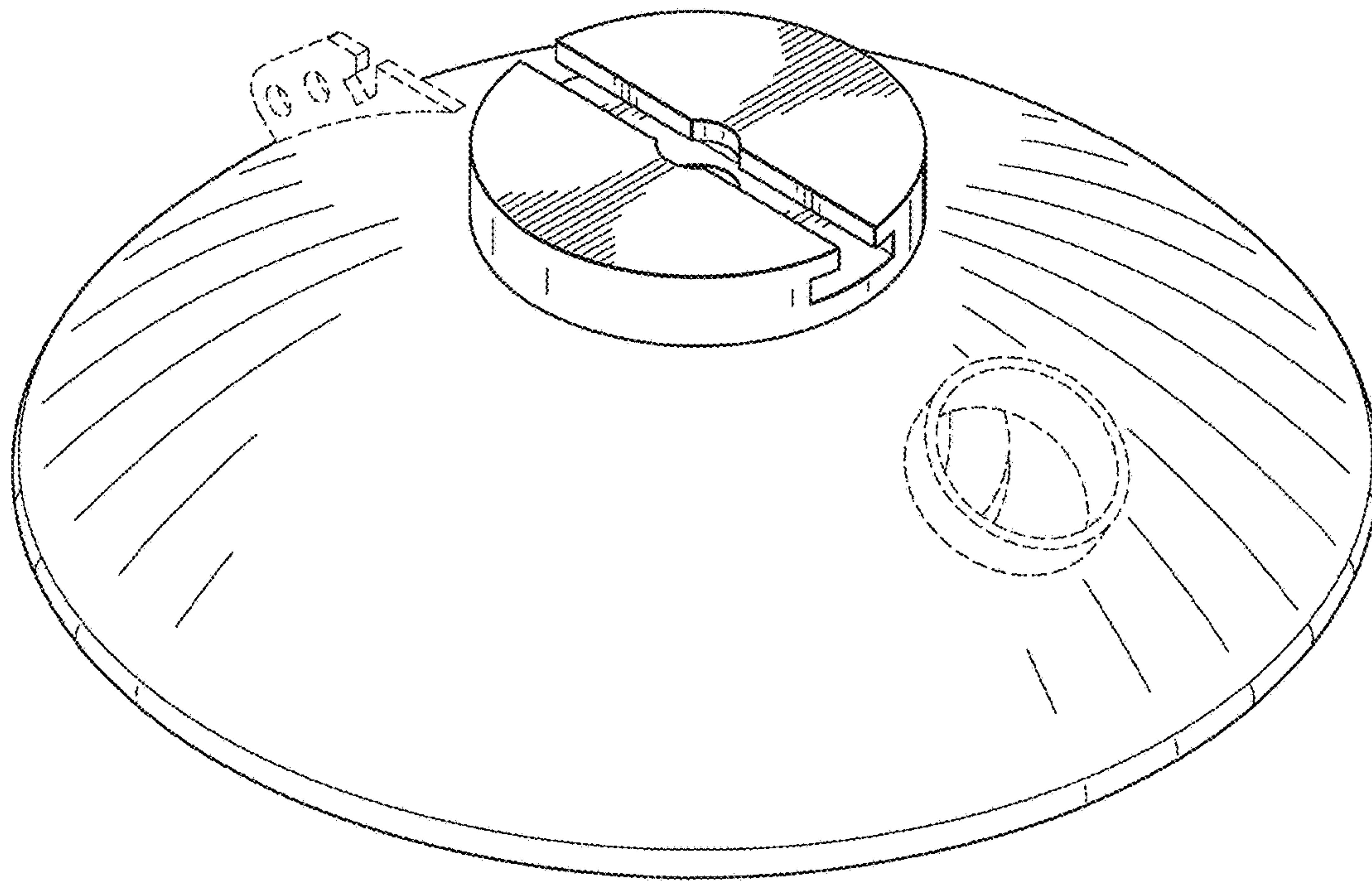


FIG. 15

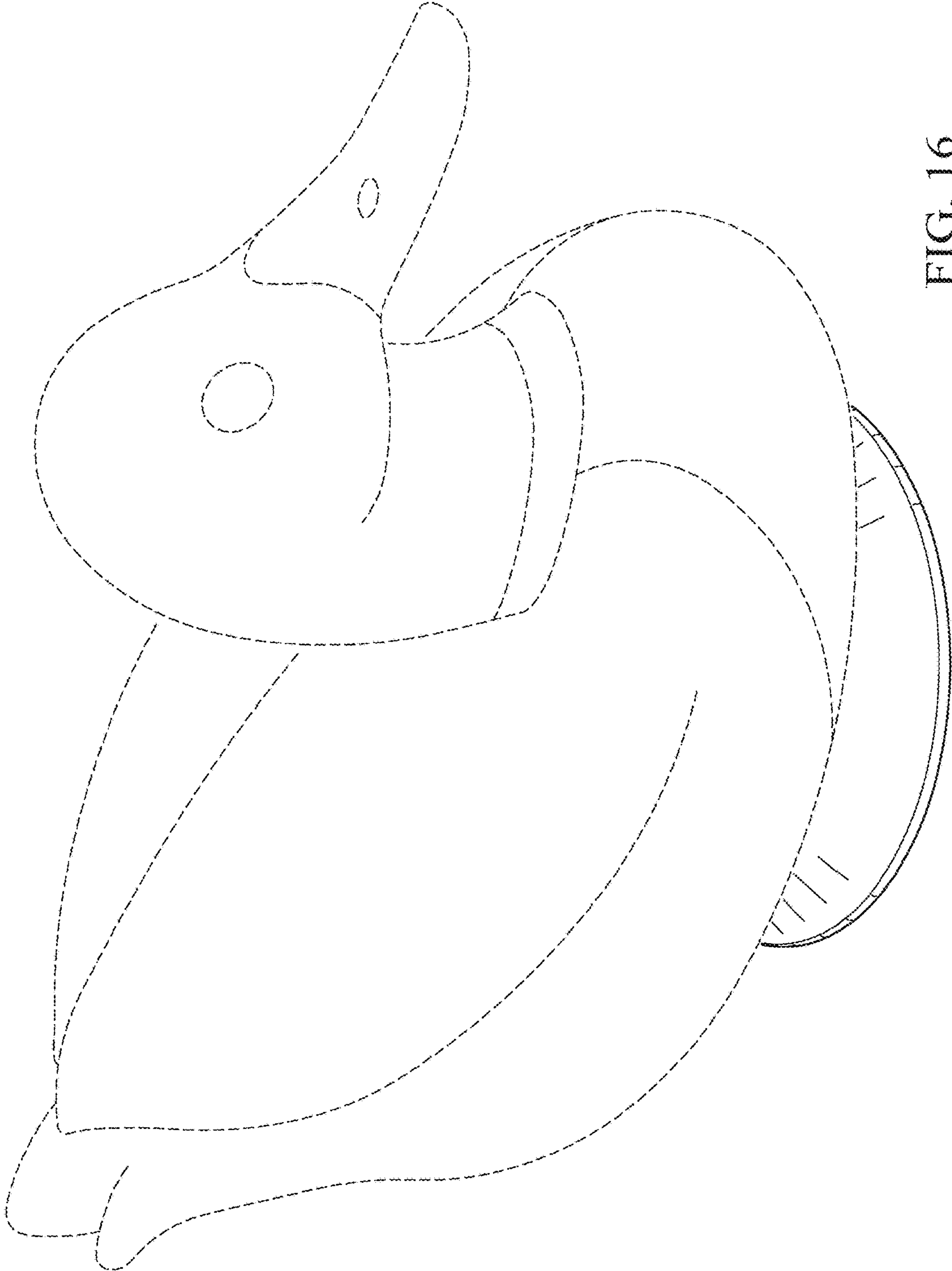


FIG. 16