



US00D820376S

(12) **United States Design Patent**
Potts

(10) **Patent No.:** **US D820,376 S**
(45) **Date of Patent:** **** Jun. 12, 2018**

(54) **OFFSET DUAL-BRIDGE BOW STABILIZER**

(71) Applicant: **David L. Potts**, New Philadelphia, OH
(US)

(72) Inventor: **David L. Potts**, New Philadelphia, OH
(US)

(**) Term: **15 Years**

(21) Appl. No.: **29/594,933**

(22) Filed: **Feb. 23, 2017**

(51) **LOC (11) Cl.** **22-01**

(52) **U.S. Cl.**
USPC **D22/107**

(58) **Field of Classification Search**
USPC D10/96; D21/573, 753, 789, 791;
D22/107, 108
CPC F41B 5/1426; F41B 5/148; F41B 5/10;
F41B 5/1407
See application file for complete search history.

(56) **References Cited**

U.S. PATENT DOCUMENTS

4,640,258	A *	2/1987	Penney	F21L 15/10 124/24.1
5,339,793	A *	8/1994	Findley	F41B 5/1426 124/89
D386,552	S *	11/1997	Kunz	D22/100
D406,300	S *	3/1999	Fitzgerald, Jr.	D22/100
D442,251	S *	5/2001	Fitzgerald, Jr.	D22/100
D446,278	S *	8/2001	Fitzgerald, Jr.	D22/107
D448,827	S *	10/2001	Chipman	D22/107

D469,839	S *	2/2003	Gibbs	D22/107
D561,292	S *	2/2008	Butcher	D22/107
D682,969	S *	5/2013	Khoshnood	D22/107
D682,970	S *	5/2013	Khoshnood	D22/107
D691,232	S *	10/2013	Khoshnood	D22/107
8,839,776	B2 *	9/2014	Kingsbury	F41B 5/1426 124/1
D746,397	S *	12/2015	Kingsbury	D22/107
D775,705	S *	1/2017	Khoshnood	D22/107
D791,898	S *	7/2017	Khoshnood	D22/107
9,915,494	B2 *	3/2018	Potts	F41B 5/1426

* cited by examiner

Primary Examiner — Darlington Ly

(74) *Attorney, Agent, or Firm* — Dureska & Moore, LLC;
Brent L. Moore

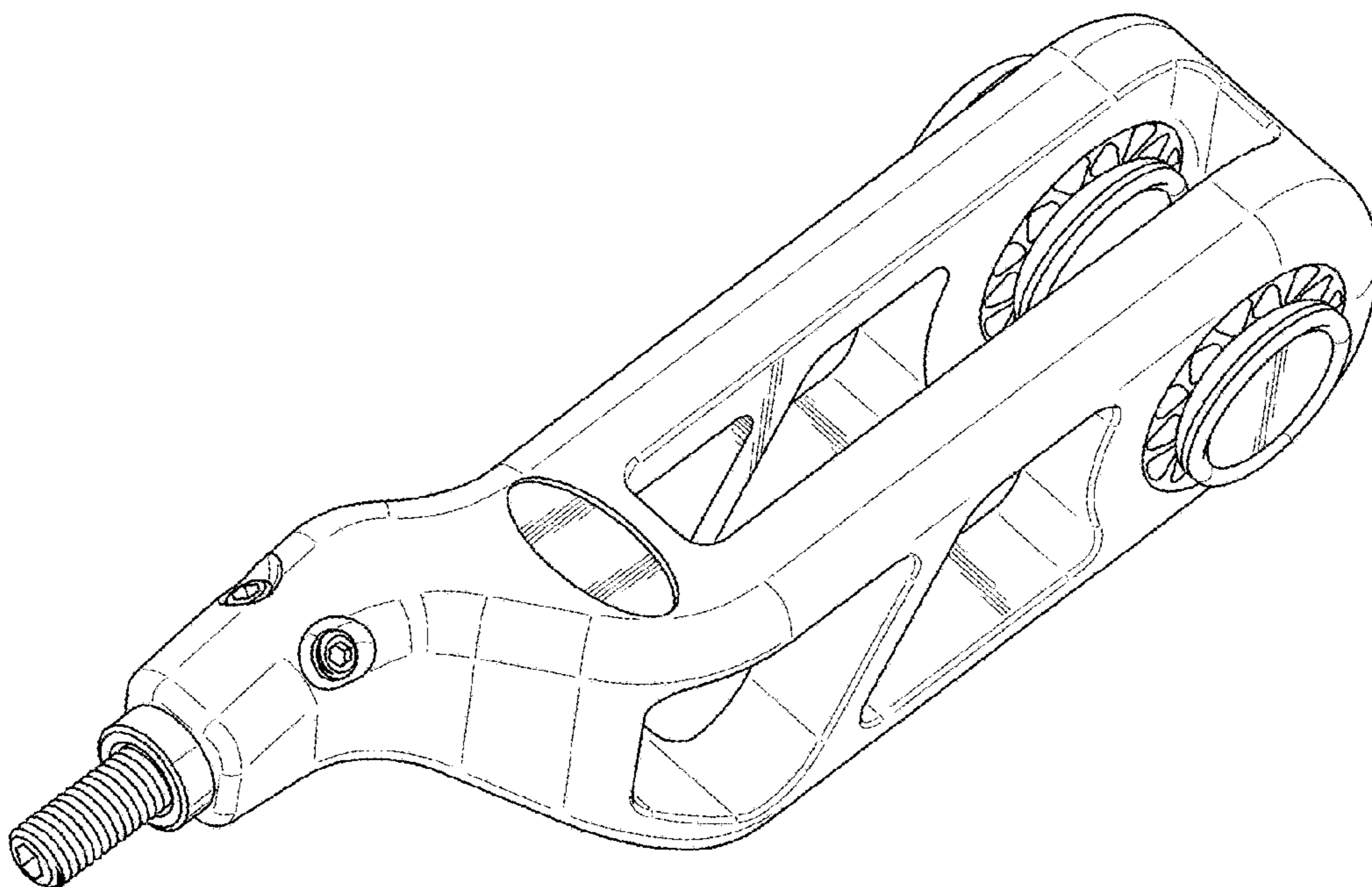
(57) **CLAIM**

I claim the ornamental design for an offset dual-bridge bow stabilizer, as shown and described.

DESCRIPTION

FIG. 1 is a top, rear, and left side perspective view of an offset dual-bridge bow stabilizer showing my new design; FIG. 2 is a bottom, rear, and left side perspective view thereof; FIG. 3 is a top, rear, and right side perspective view thereof; FIG. 4 is a bottom plan view thereof; FIG. 5 is a right side elevation view thereof; FIG. 6 is a rear elevation view thereof; and, FIG. 7 is a front elevation view thereof.

1 Claim, 6 Drawing Sheets



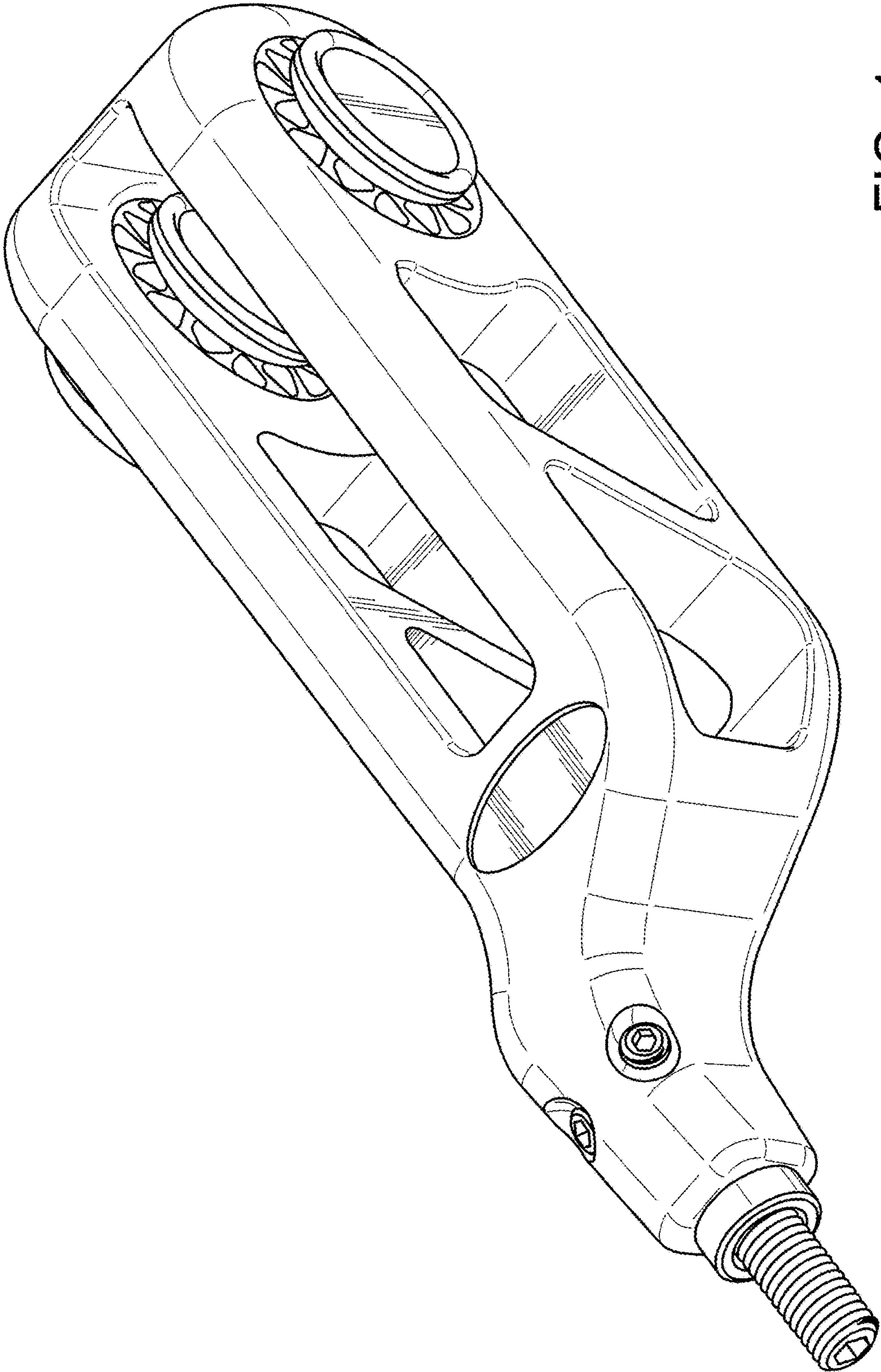


FIG. 1

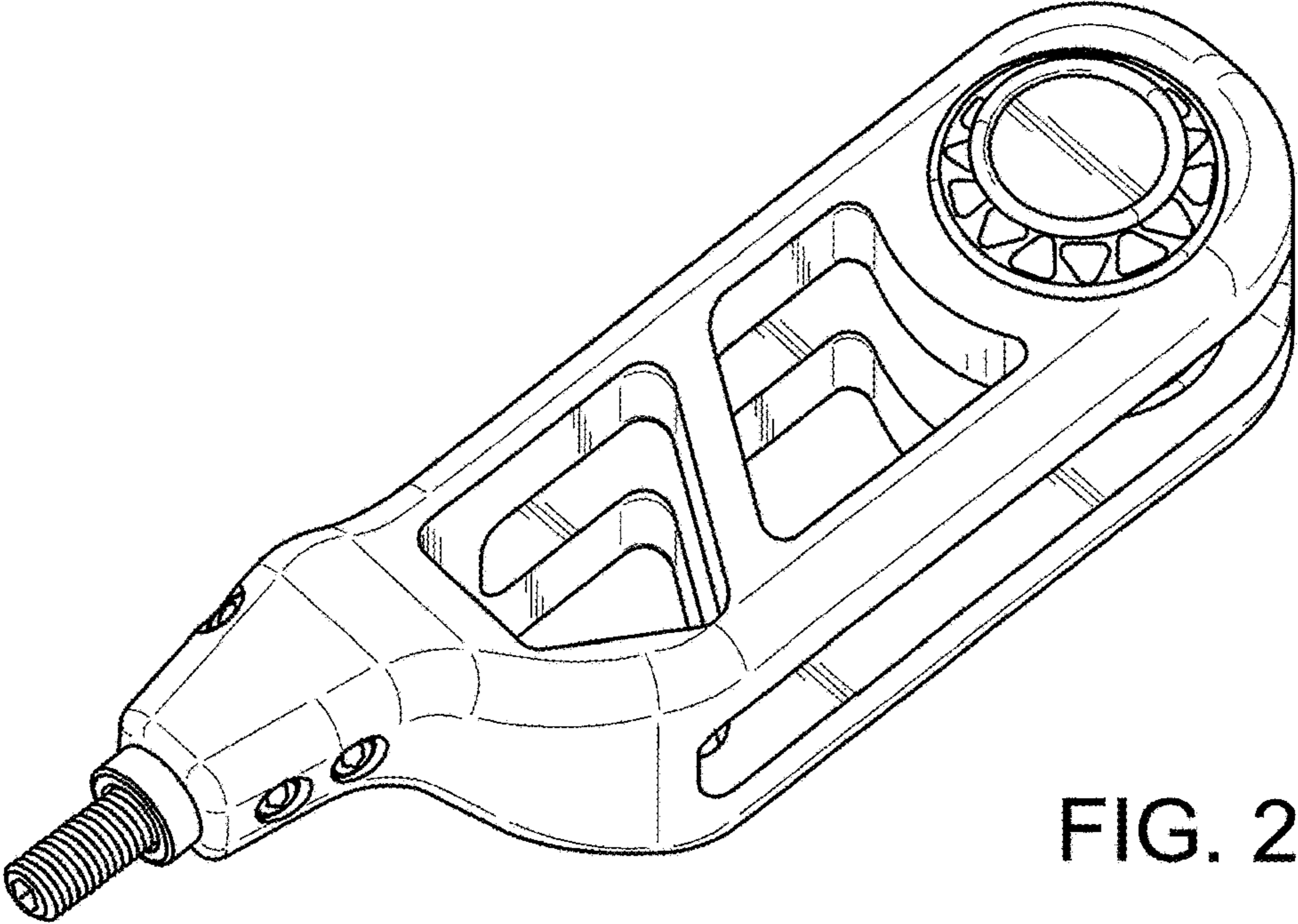


FIG. 2

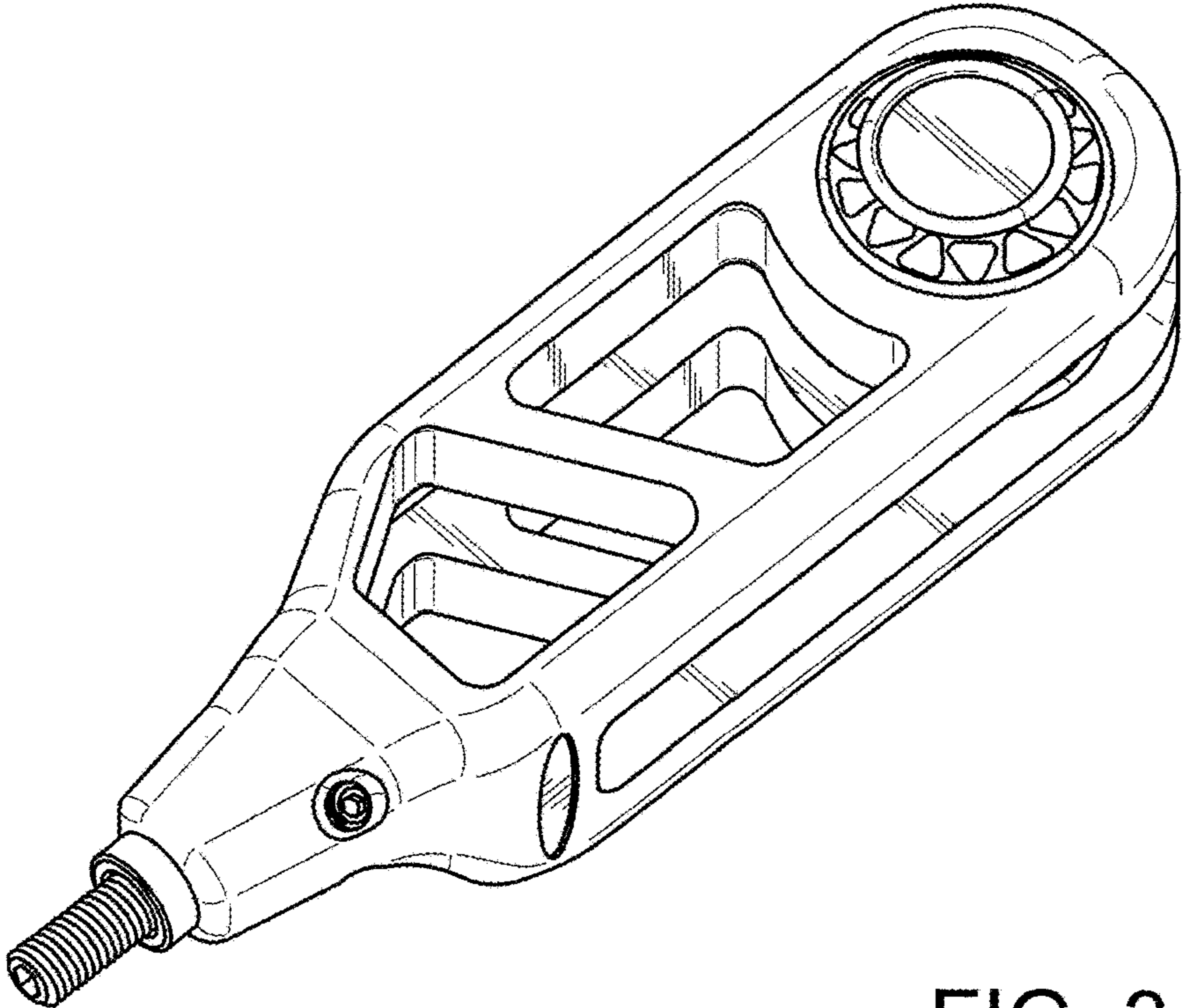


FIG. 3

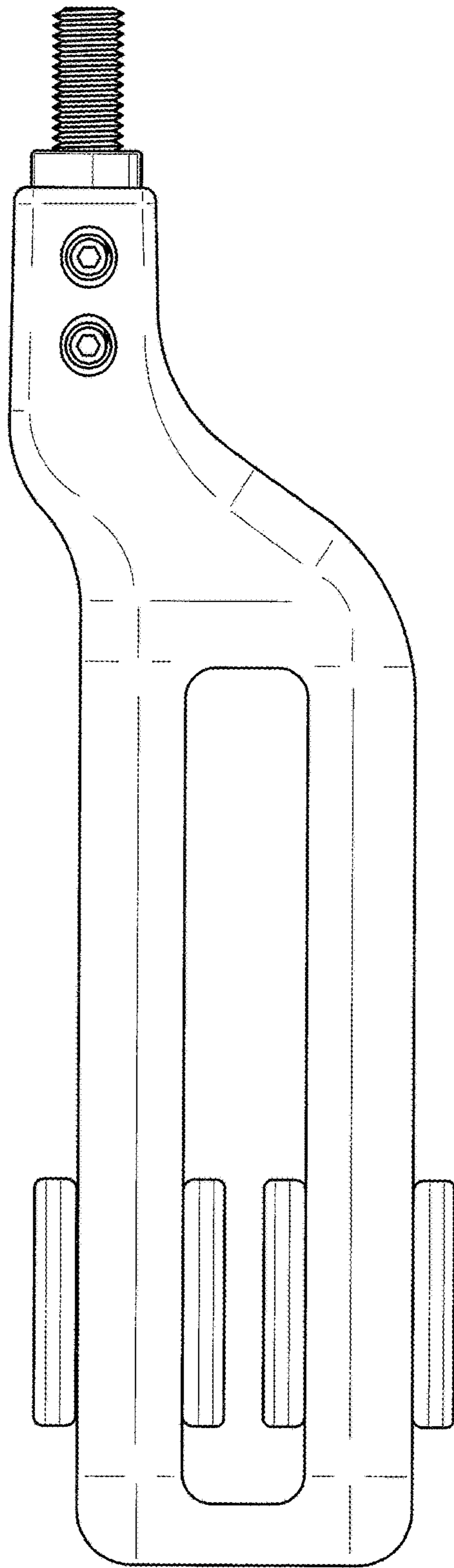


FIG. 4

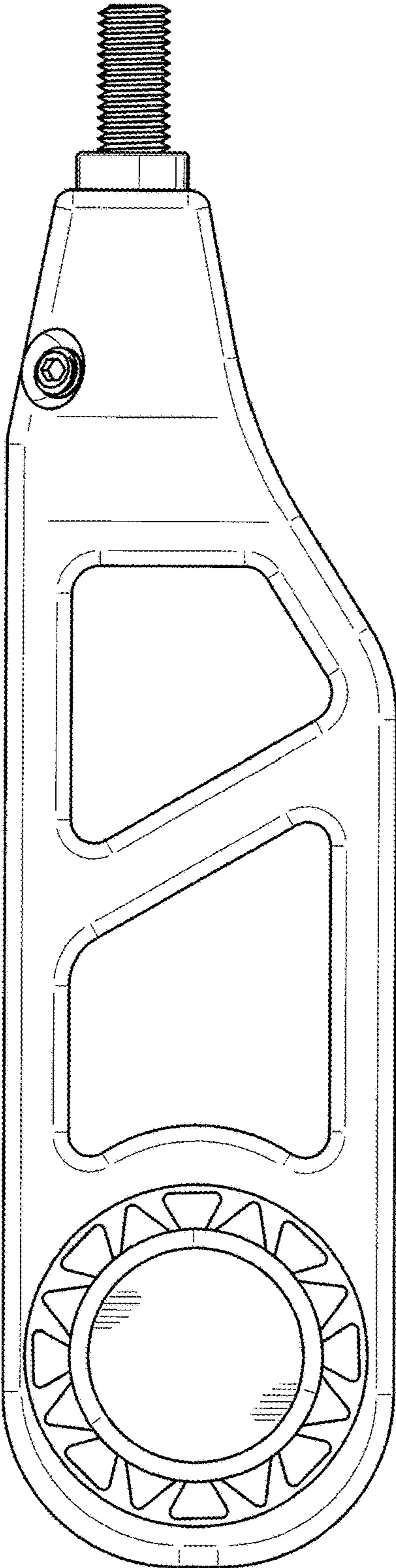


FIG. 5

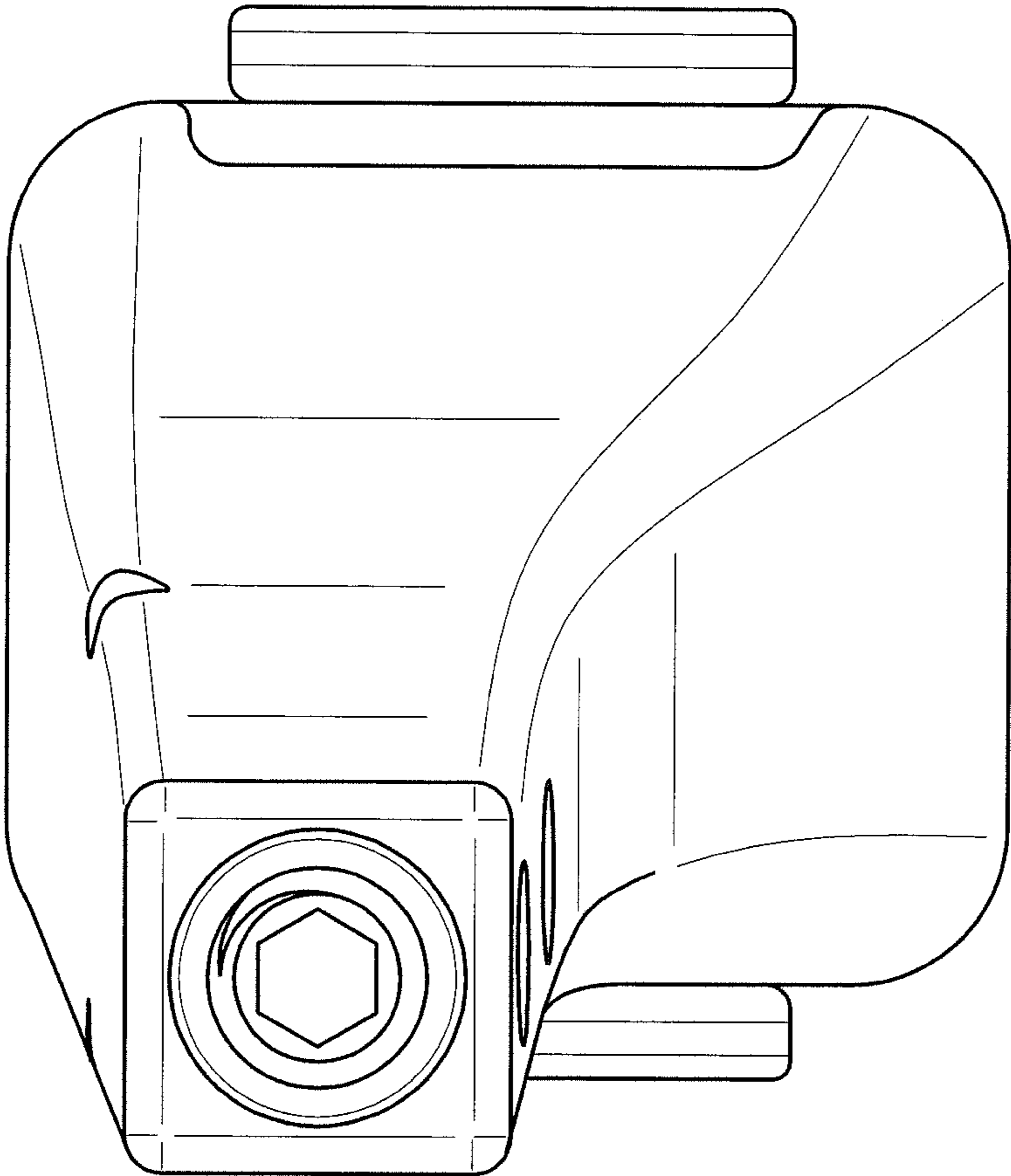


FIG. 6

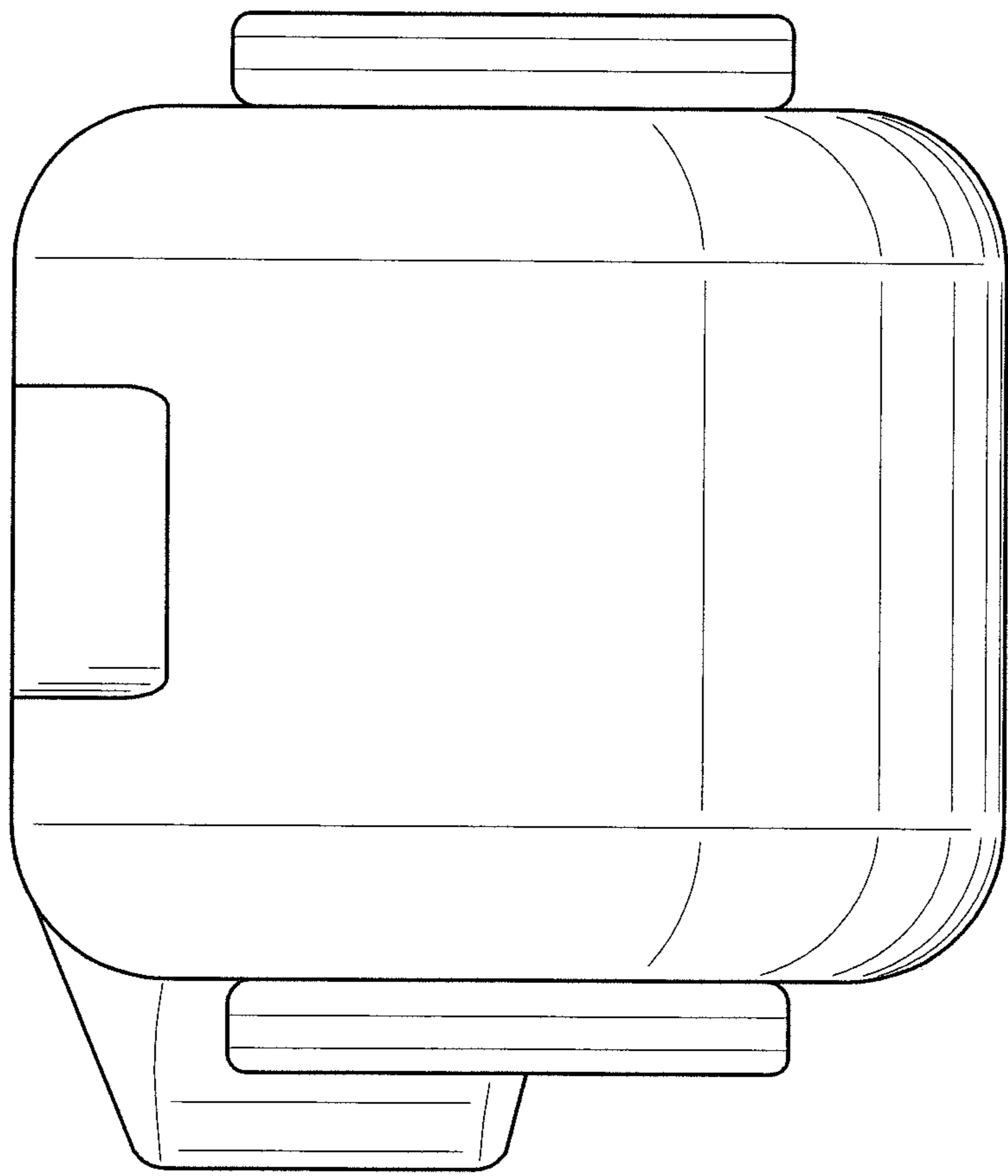


FIG. 7