



US00D820375S

(12) **United States Design Patent**
Warren

(10) **Patent No.:** **US D820,375 S**

(45) **Date of Patent:** **** *Jun. 12, 2018**

- (54) **BODY SURFING BOARD**
- (71) Applicant: **William J. Warren**, Frisco, TX (US)
- (72) Inventor: **William J. Warren**, Frisco, TX (US)
- (*) Notice: This patent is subject to a terminal disclaimer.
- (**) Term: **15 Years**

4,509,744 A *	4/1985	Beasley	A63B 31/08 441/58
D301,111 S *	5/1989	McDonnell	D12/11
D318,894 S *	8/1991	Harling	D21/807
D578,596 S *	10/2008	Hicks	D21/807
8,864,539 B1 *	10/2014	Watts	B63B 35/7906 441/56
D764,003 S *	8/2016	Chadwick	D21/807
2013/0316883 A1 *	11/2013	Warren	A43B 21/00 482/139
2017/0232303 A1 *	8/2017	Chadwick	A63B 69/12 434/254

- (21) Appl. No.: **29/598,438**
- (22) Filed: **Mar. 26, 2017**
- (51) **LOC (11) Cl.** **21-02**
- (52) **U.S. Cl.**
USPC **D21/807**
- (58) **Field of Classification Search**
USPC D21/597, 599, 646, 769, 770, 771, 778,
D21/792, 801, 803, 804, 805, 806, 807,
D21/808, 810, 814, 818, 819
CPC A41D 13/0518; A63B 2208/03; A63B
2225/605; A63B 31/00; A63B 31/10;
A63B 69/14; A63B 31/11; B63B 21/66;
B63C 11/02
See application file for complete search history.

OTHER PUBLICATIONS

<http://www.podware.com.au/bodysurfing-handboards-handplanes/>—Retrieved on Jan. 2, 2018.*
<https://www.amazon.com/THURSO-SURF-Construction-Comfortable-Lightweight/dp/B07222THZN/>—Retrieved on Jan. 2, 2018.*

* cited by examiner

Primary Examiner — Manpreet S Matharu
Assistant Examiner — Mojtaba Tehrani
 (74) *Attorney, Agent, or Firm* — Carr & Ferrell LLP

(57) **CLAIM**

The ornamental design for a body surfing board, as shown and described.

(56) **References Cited**

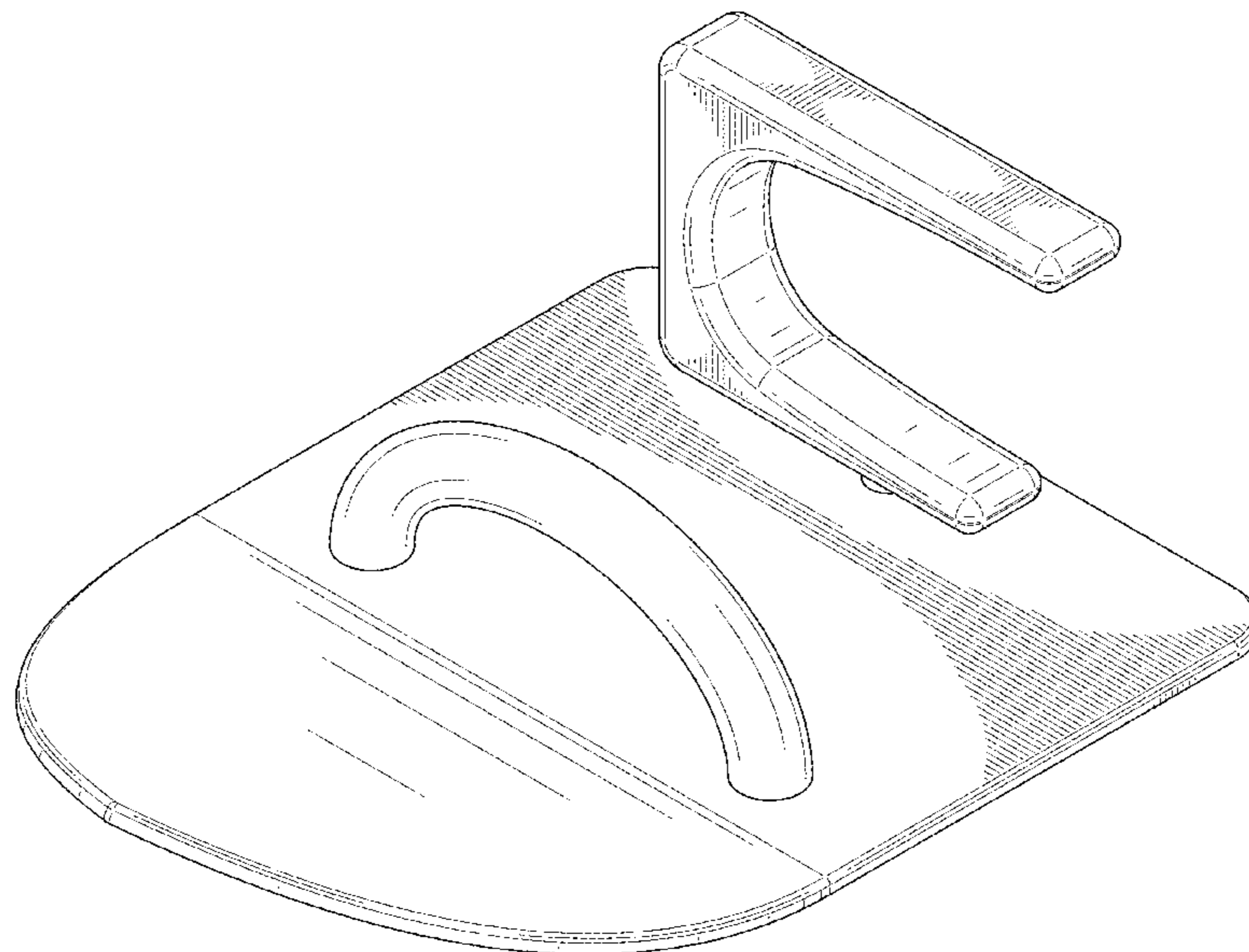
U.S. PATENT DOCUMENTS

183,045 A *	10/1876	Dunlop	A63B 31/04 2/20
1,062,587 A *	5/1913	Goersch	A63B 31/08 2/20
2,017,463 A *	10/1935	Komadina	A63B 31/14 441/58
2,745,119 A *	5/1956	Whipple	A63B 31/08 441/56
3,417,415 A *	12/1968	Kozak	A43B 5/08 441/58

DESCRIPTION

FIG. 1 is a top front perspective view of a body surfing board showing my new design;
 FIG. 2 is a left side elevation view thereof;
 FIG. 3 is a right side elevation view thereof;
 FIG. 4 is a rear elevation view thereof;
 FIG. 5 is a front elevation view thereof;
 FIG. 6 is a top plan view thereof; and,
 FIG. 7 is a bottom plan view thereof.

1 Claim, 7 Drawing Sheets



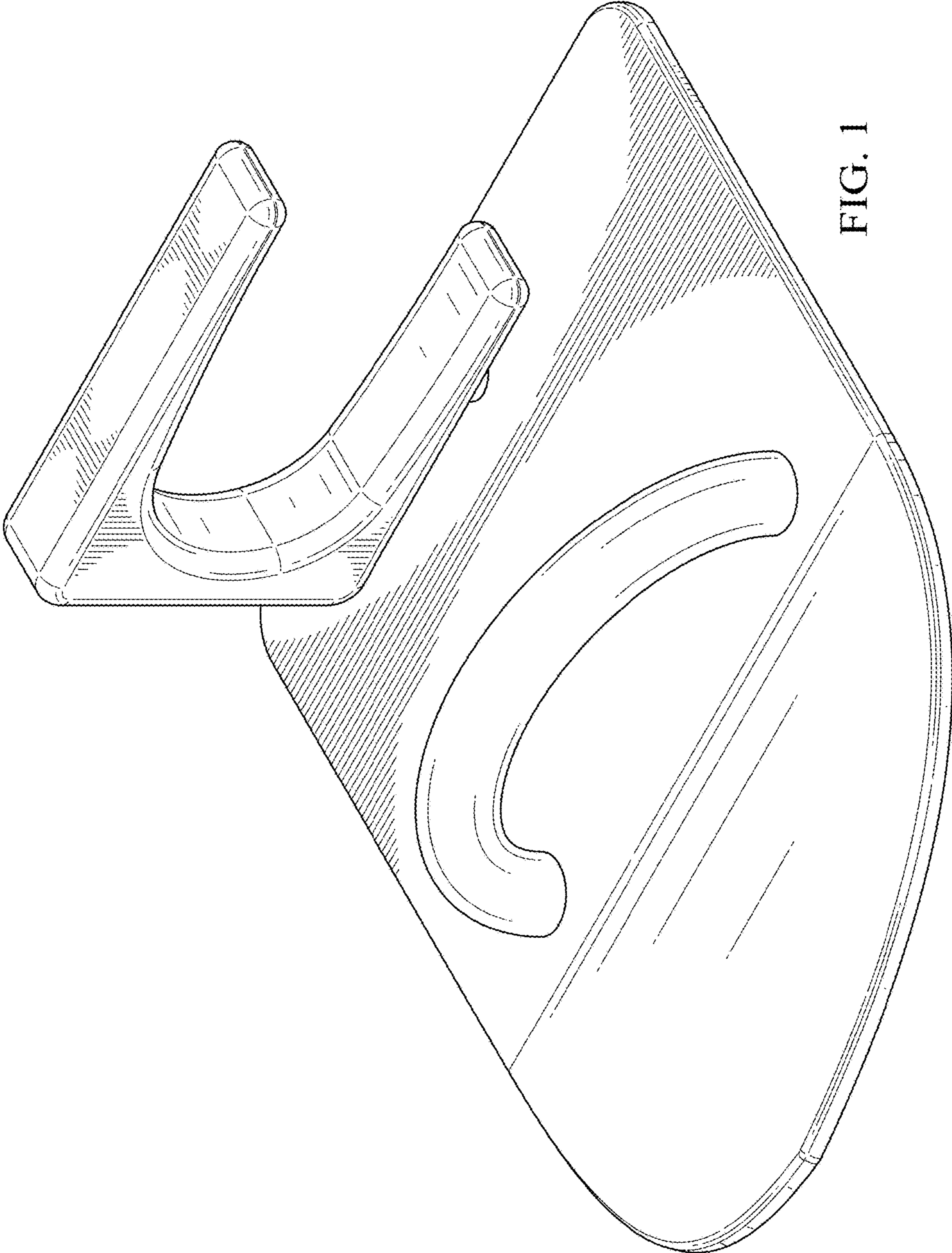


FIG. 1

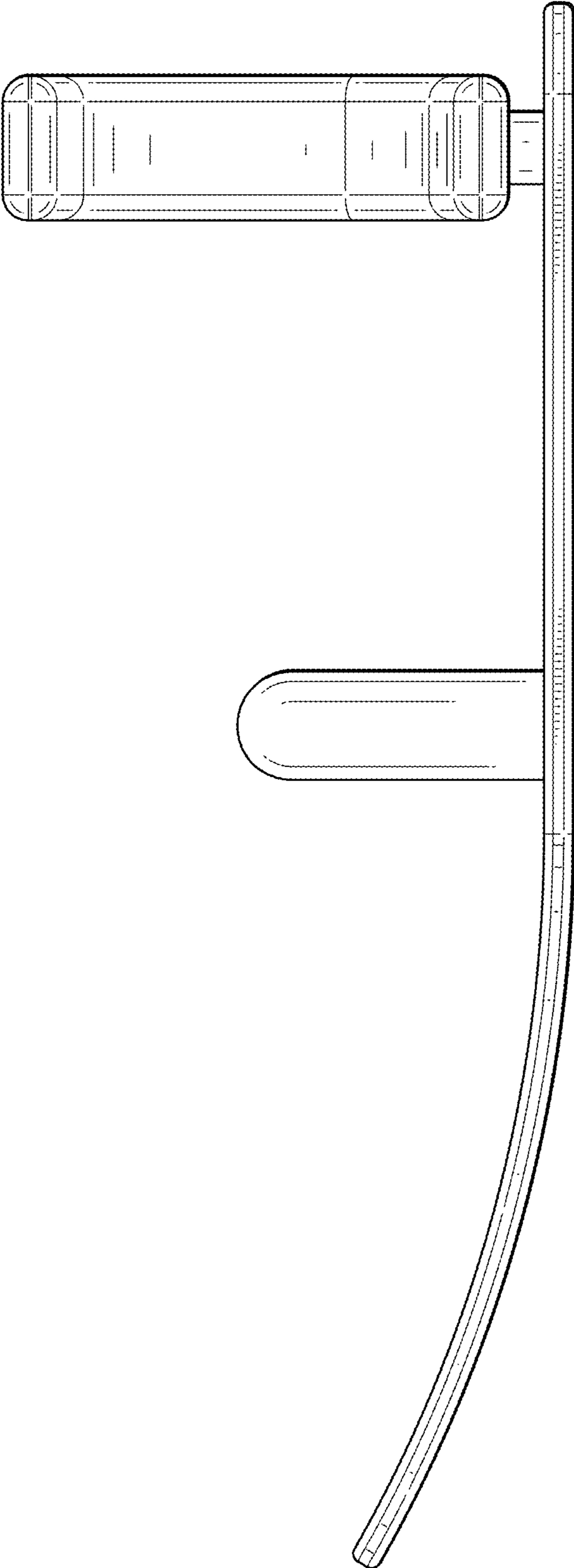


FIG. 2

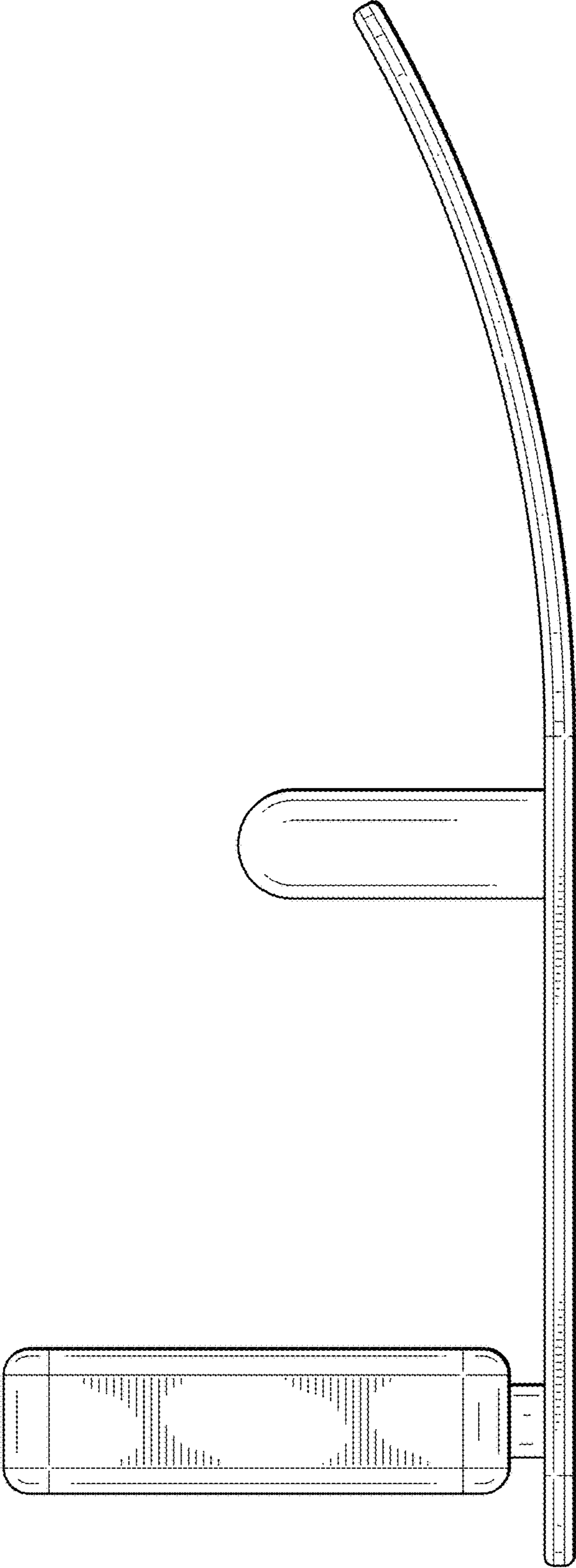


FIG. 3

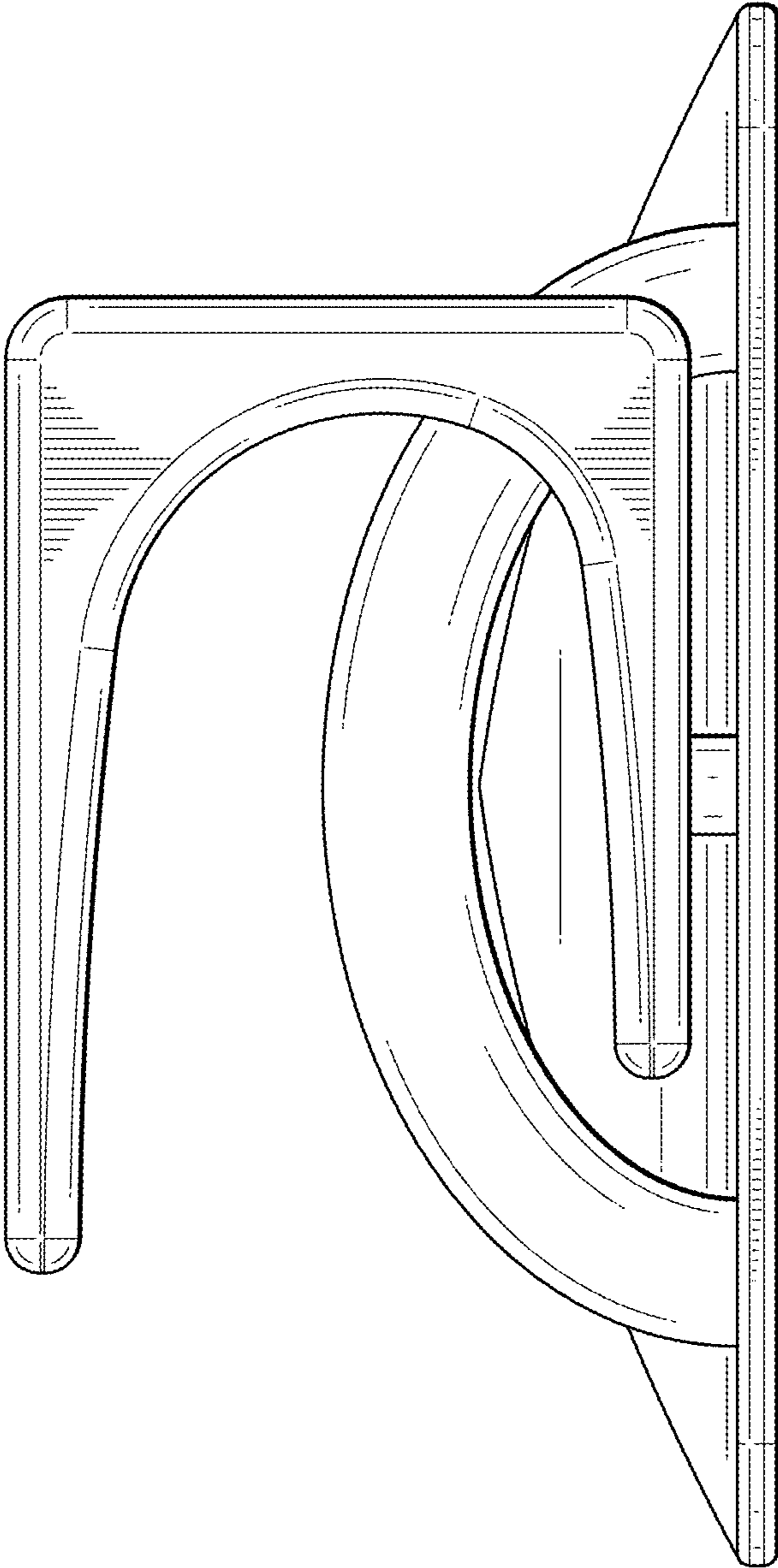


FIG. 4

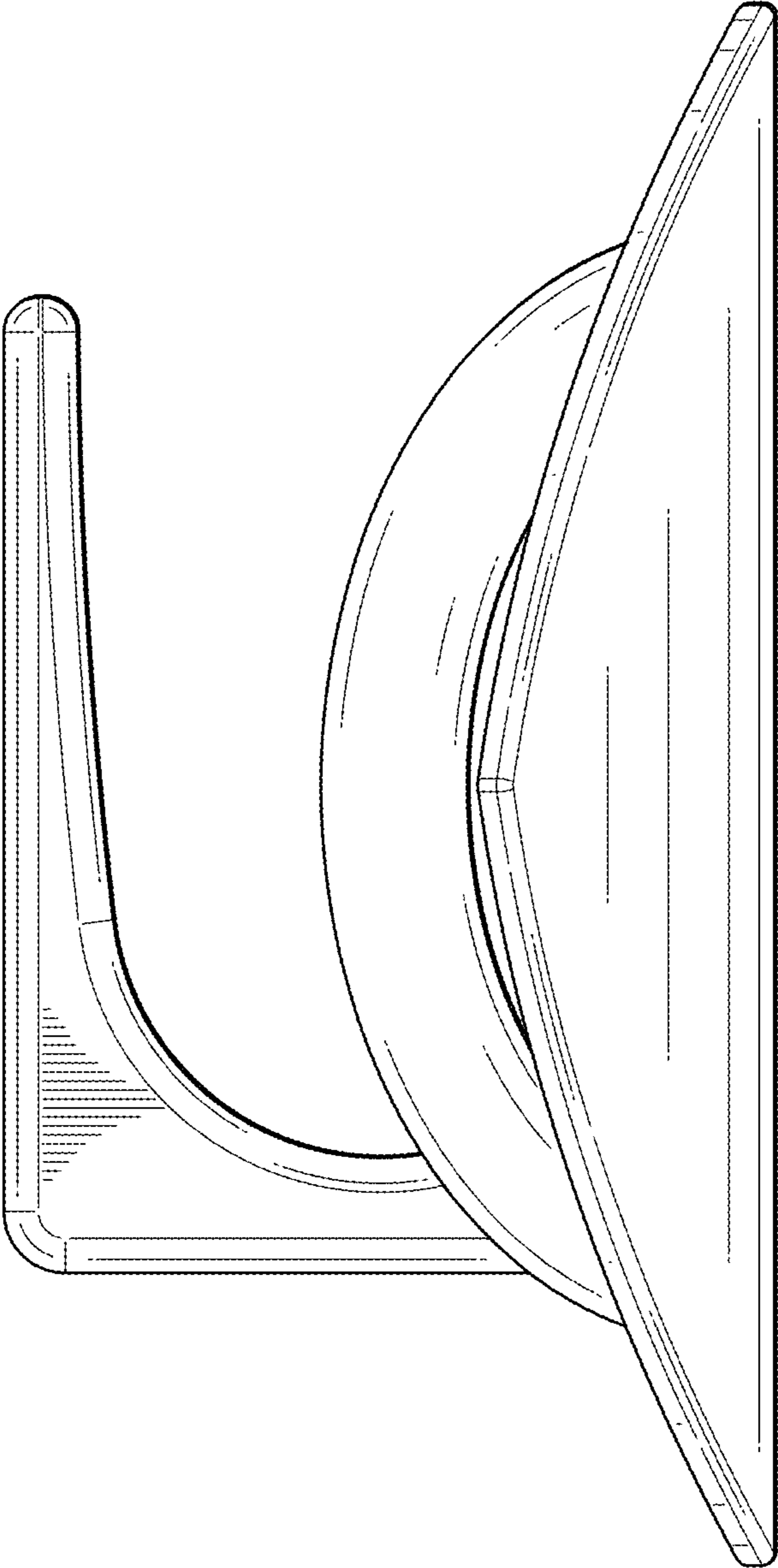


FIG. 5

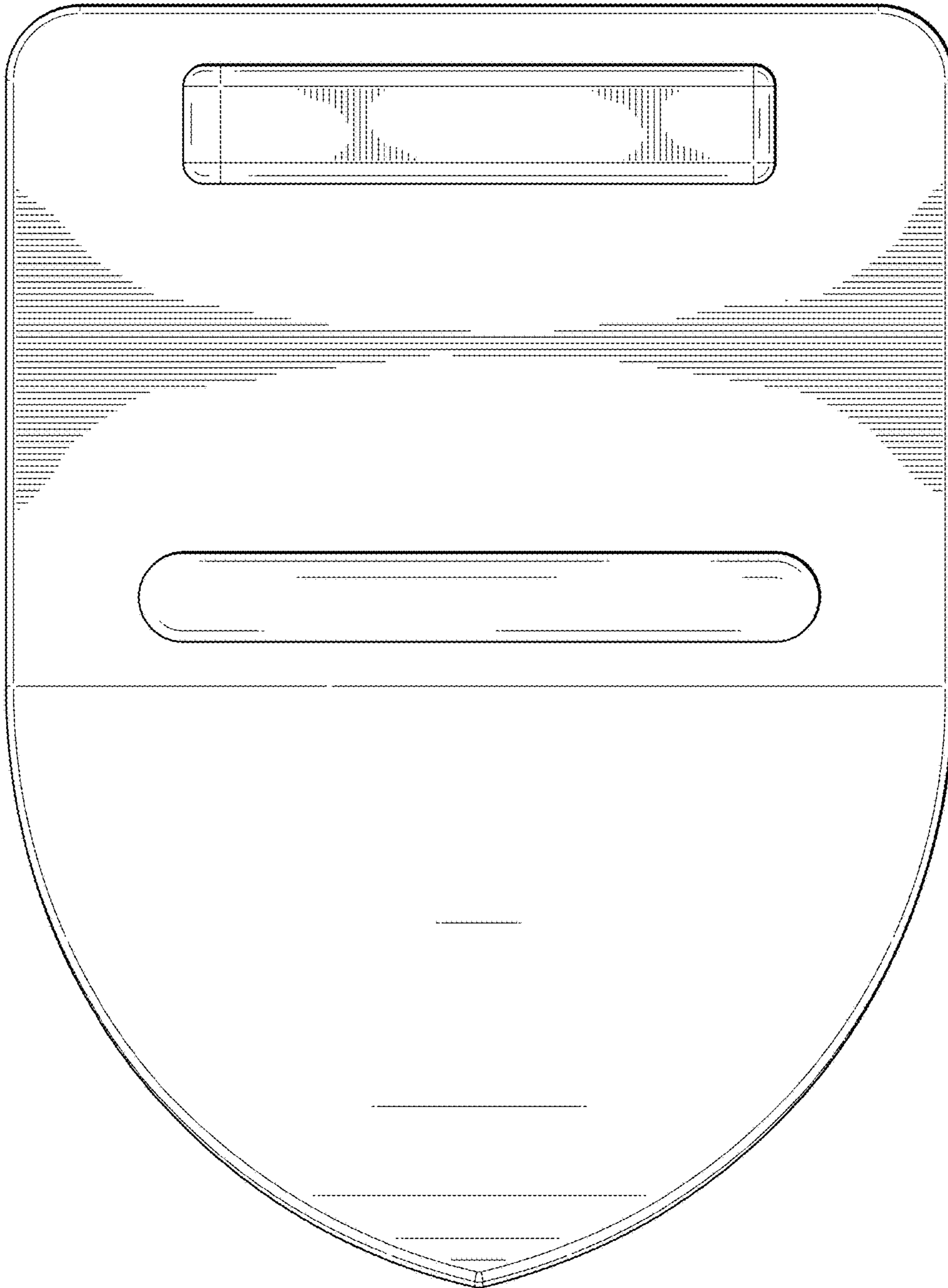


FIG. 6

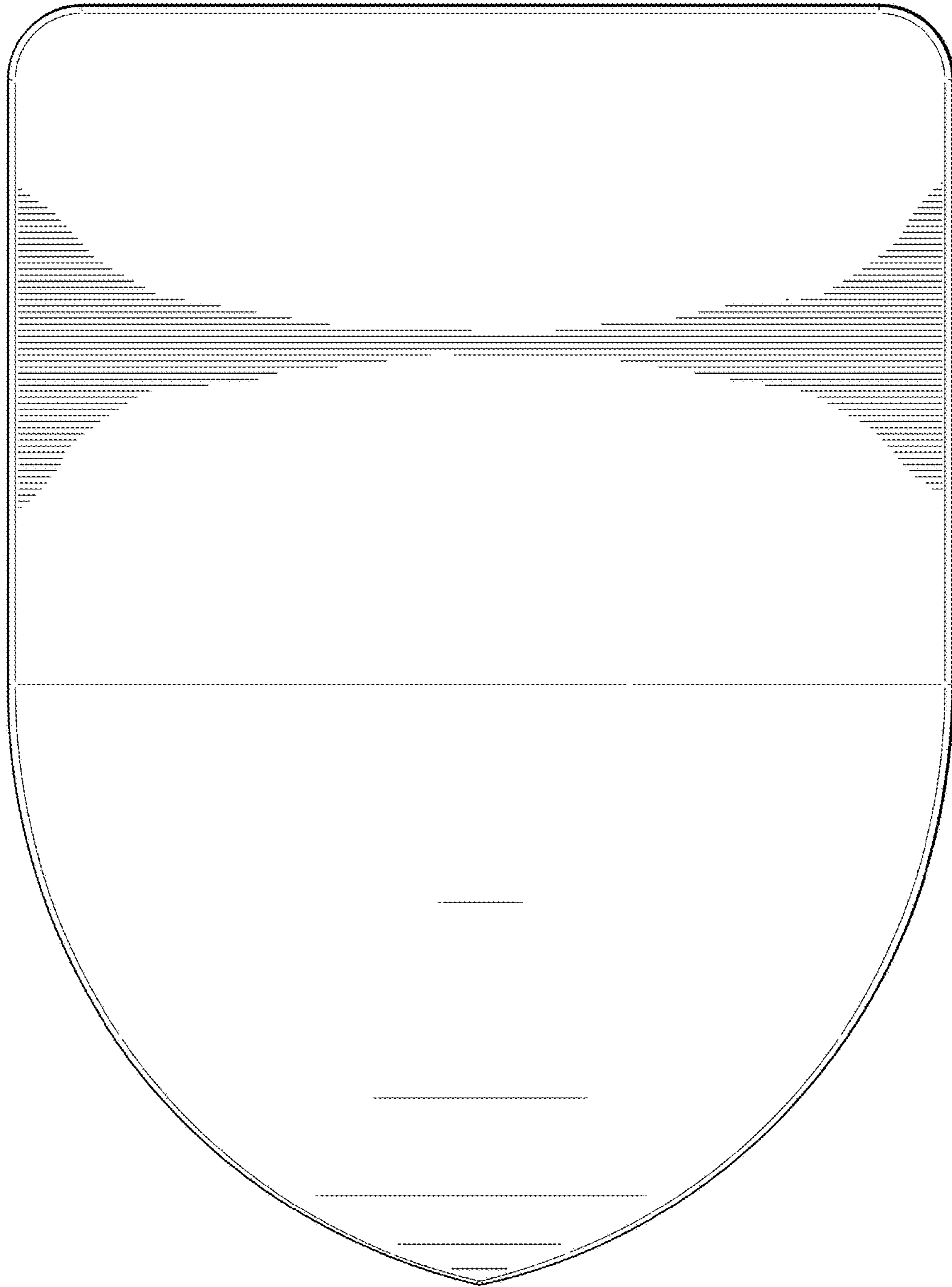


FIG. 7