



US00D820374S

(12) **United States Design Patent**  
**Rademacher et al.**

(10) **Patent No.:** **US D820,374 S**  
(45) **Date of Patent:** **\*\* Jun. 12, 2018**

(54) **RECREATIONAL DEVICE**

(71) Applicant: **Wibit Sports GmbH**, Bocholt (DE)

(72) Inventors: **Romann Rademacher**, Bocholt (DE);  
**Robert Cirjak**, Bocholt (DE)

(73) Assignee: **WIBIT SPORTS GMBH**, Bocholt (DE)

(\*\*) Term: **15 Years**

(21) Appl. No.: **29/589,951**

(22) Filed: **Jan. 5, 2017**

(30) **Foreign Application Priority Data**

Jul. 6, 2016 (EM) ..... 003295674-0005  
Jul. 6, 2016 (EM) ..... 003295674-0006

(51) **LOC (11) Cl.** ..... **21-02**

(52) **U.S. Cl.**  
USPC ..... **D21/803; D21/814**

(58) **Field of Classification Search**  
USPC ..... D21/646, 769, 770, 771, 778, 792, 801,  
D21/803, 804, 805, 806, 807, 808, 810,  
D21/814, 818, 819  
CPC ..... A41D 13/0518; A63B 2208/03; A63B  
2225/605; A63B 31/00; A63B 31/10;  
A63B 69/14; A63B 31/11; B63B 21/66;  
B63C 11/02  
See application file for complete search history.

(56) **References Cited**

**U.S. PATENT DOCUMENTS**

D207,105 S \* 3/1967 Gale ..... D21/818  
D340,965 S \* 11/1993 Lee ..... D21/818

D495,022 S \* 8/2004 Auberger ..... D21/818  
D639,887 S \* 6/2011 Cirjak ..... D21/818  
D702,790 S \* 4/2014 Cirjak ..... D21/818  
D739,909 S \* 9/2015 Mix ..... D21/804  
D762,275 S \* 7/2016 Labonte ..... D21/771  
D763,389 S \* 8/2016 Kim ..... D21/804

**OTHER PUBLICATIONS**

<https://www.wibitsports.com/open-water/all-products/226/halfpipe>—Retrieved Dec. 18, 2017.\*  
[https://www.youtube.com/watch?v=06D\\_PVdDsi0](https://www.youtube.com/watch?v=06D_PVdDsi0)—Published Oct. 6, 2016.\*

\* cited by examiner

*Primary Examiner* — Manpreet S Matharu

*Assistant Examiner* — Mojtaba Tehrani

(74) *Attorney, Agent, or Firm* — Arent Fox LLP

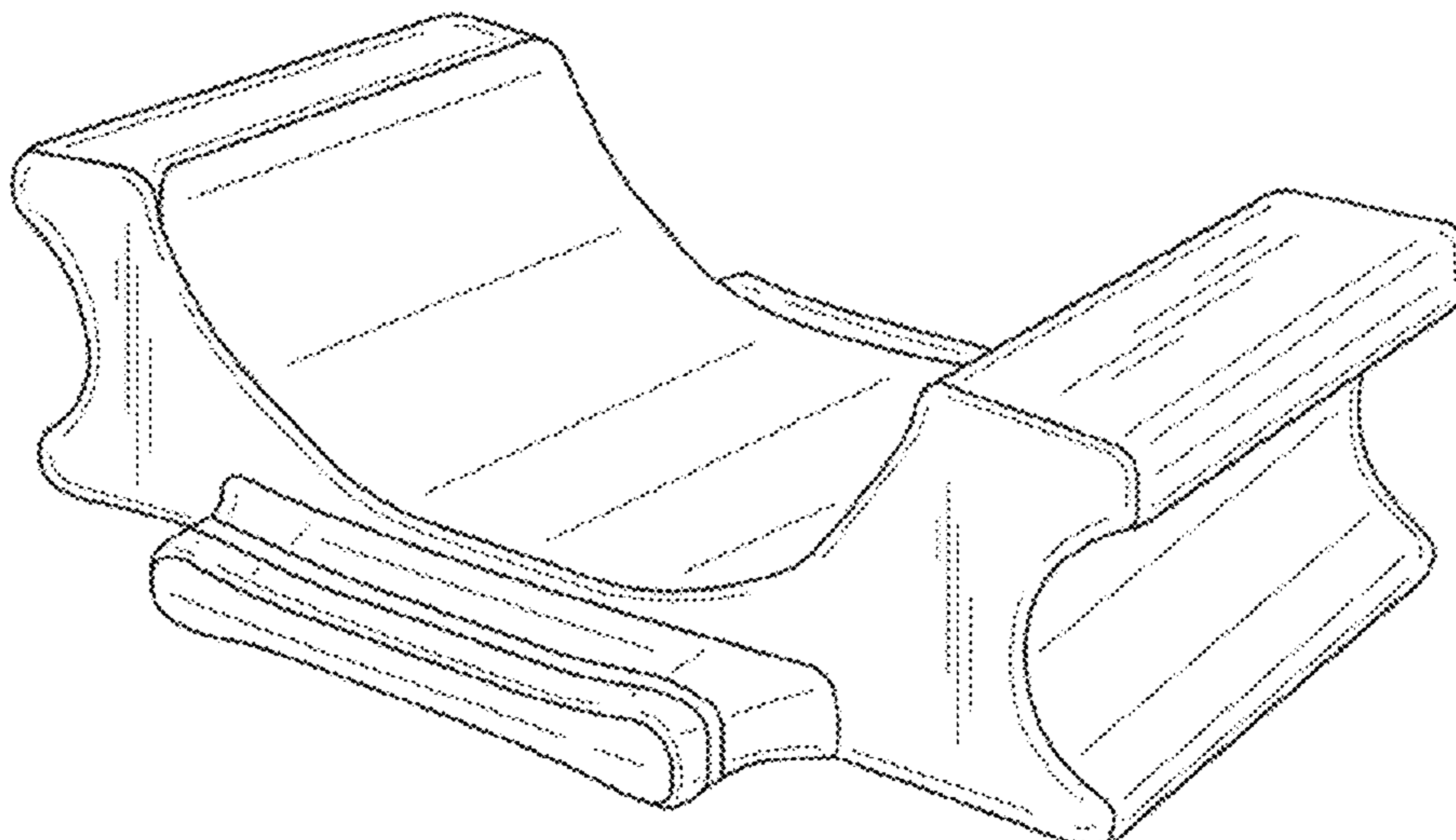
(57) **CLAIM**

The ornamental design for a recreational device, as shown and described.

**DESCRIPTION**

FIG. 1 is perspective view of the recreational device showing our new design;  
FIG. 2 is a left side view of the design shown in FIG. 1, the right side view being a mirror image thereof;  
FIG. 3 is a front view of the design shown in FIG. 1; the back view being a mirror image thereof;  
FIG. 4 is a top side view of the design shown in FIG. 1; and,  
FIG. 5 is a bottom side view of the design shown in FIG. 1.

**1 Claim, 5 Drawing Sheets**



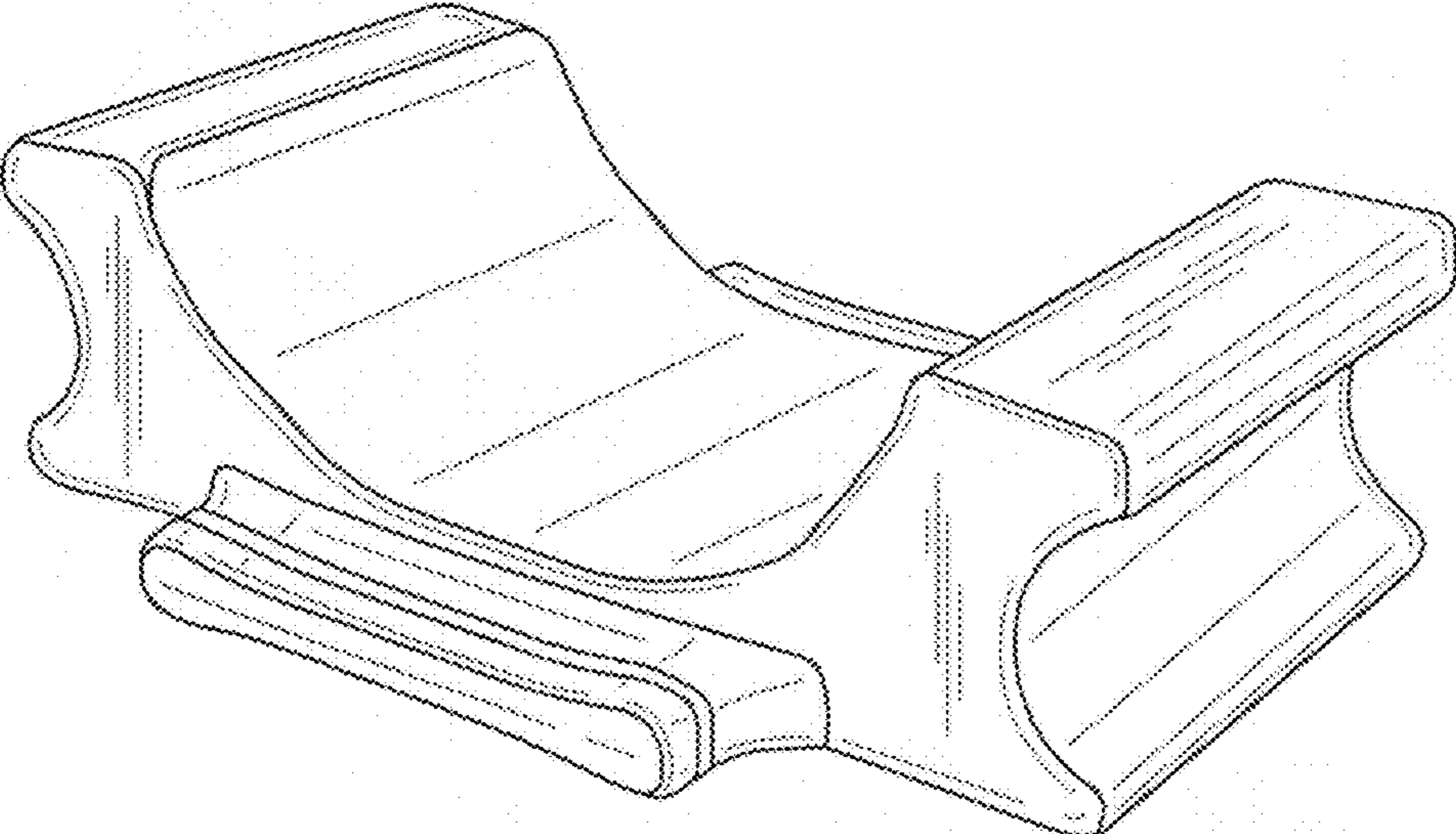


FIG. 1

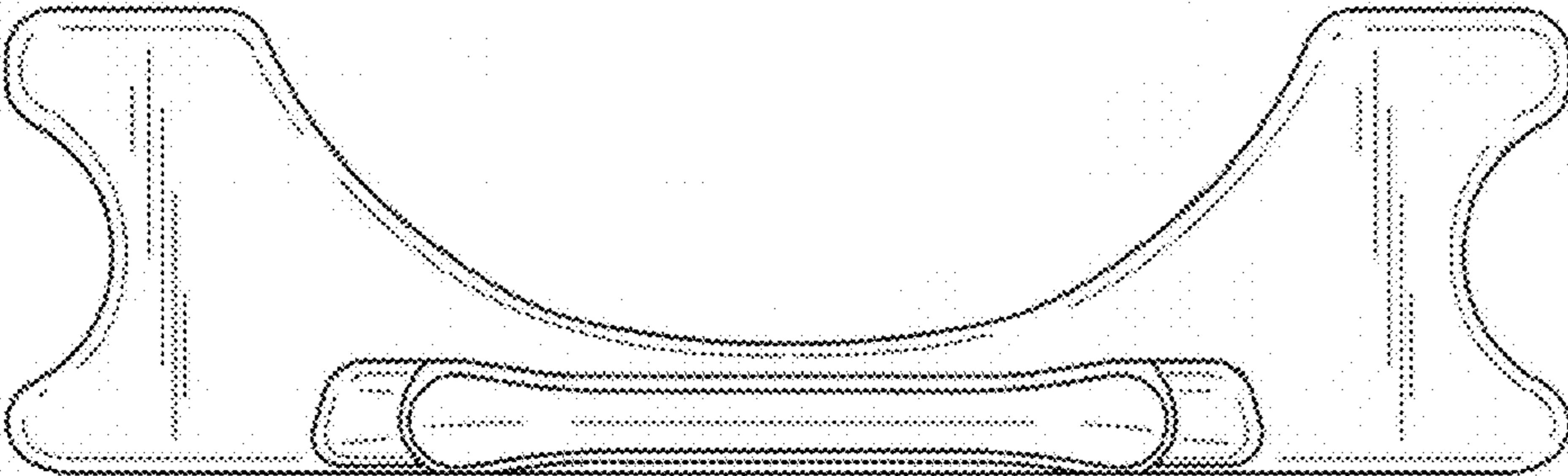


FIG. 2

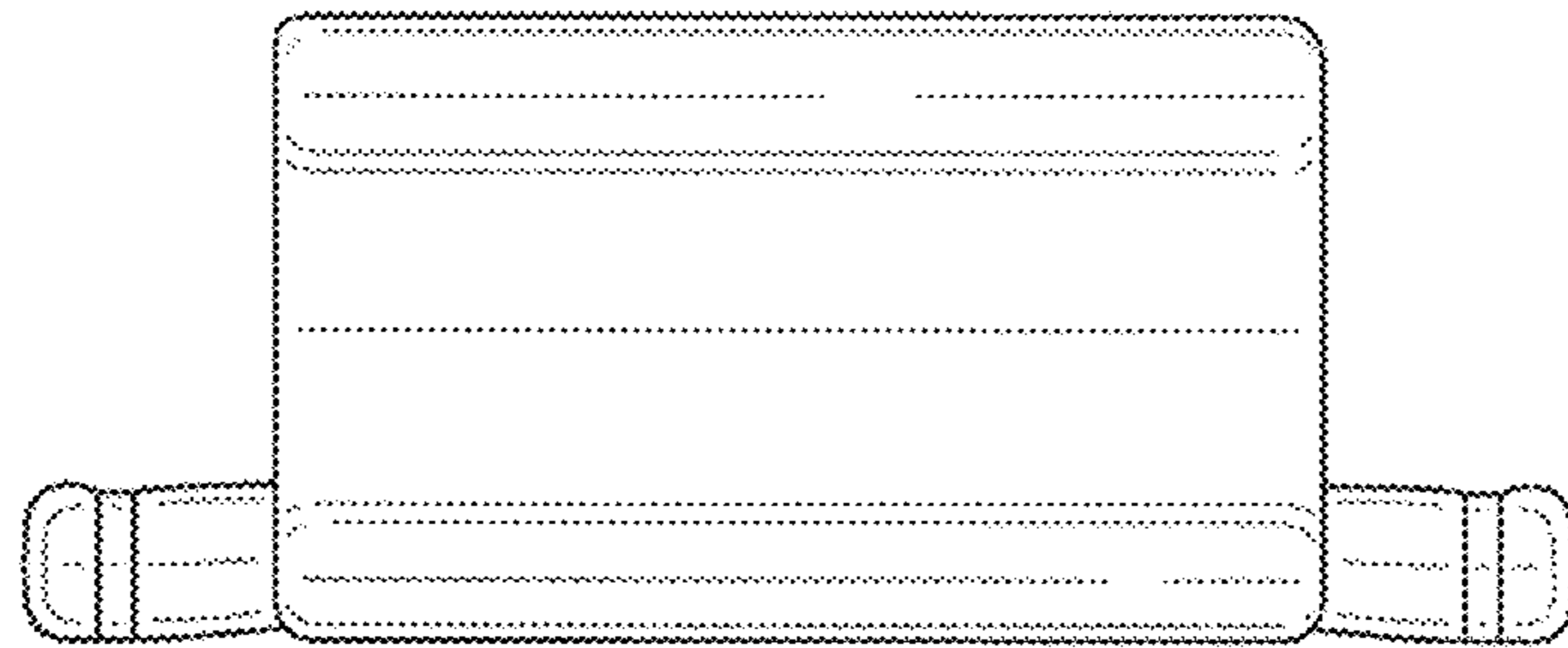


FIG. 3

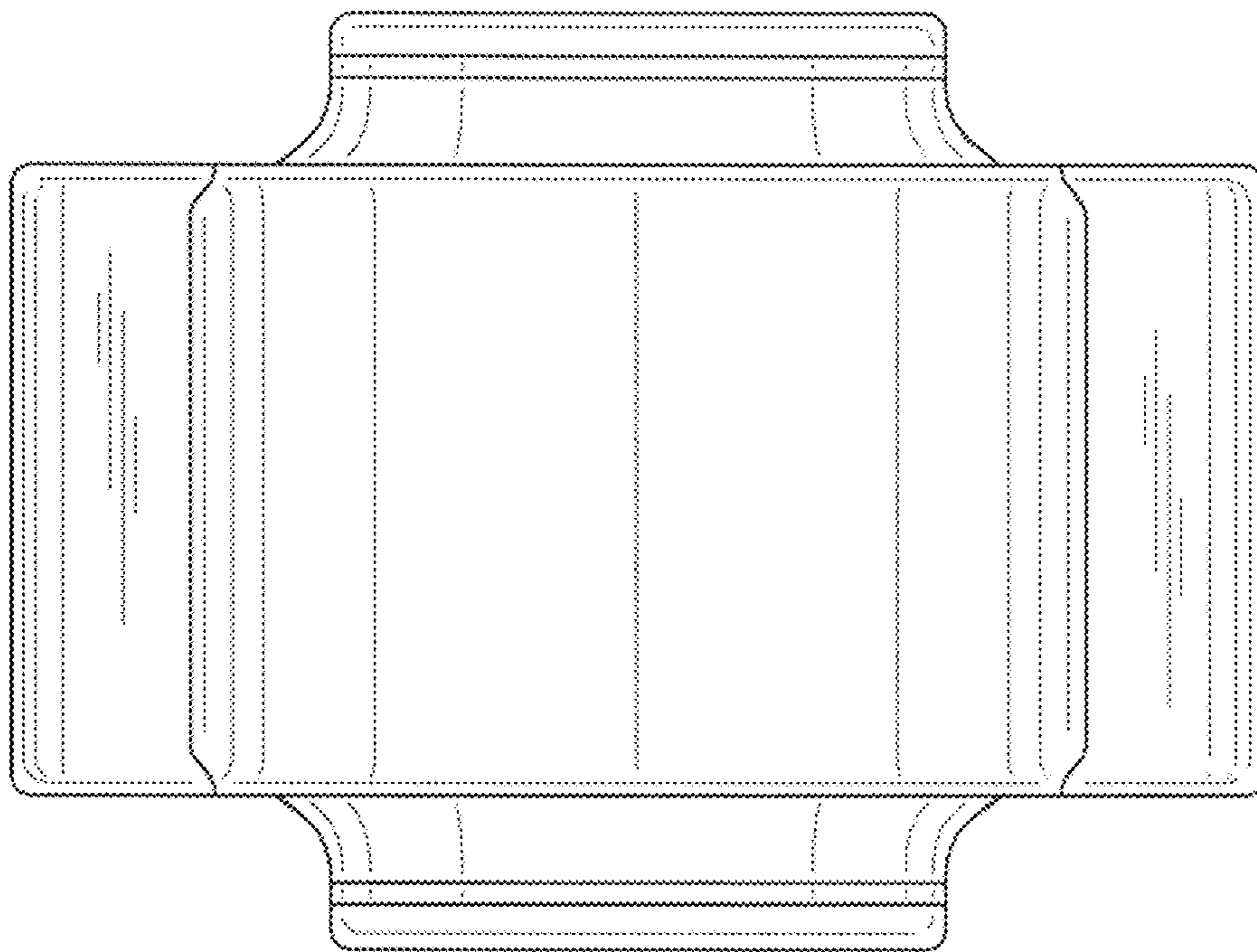


FIG. 4

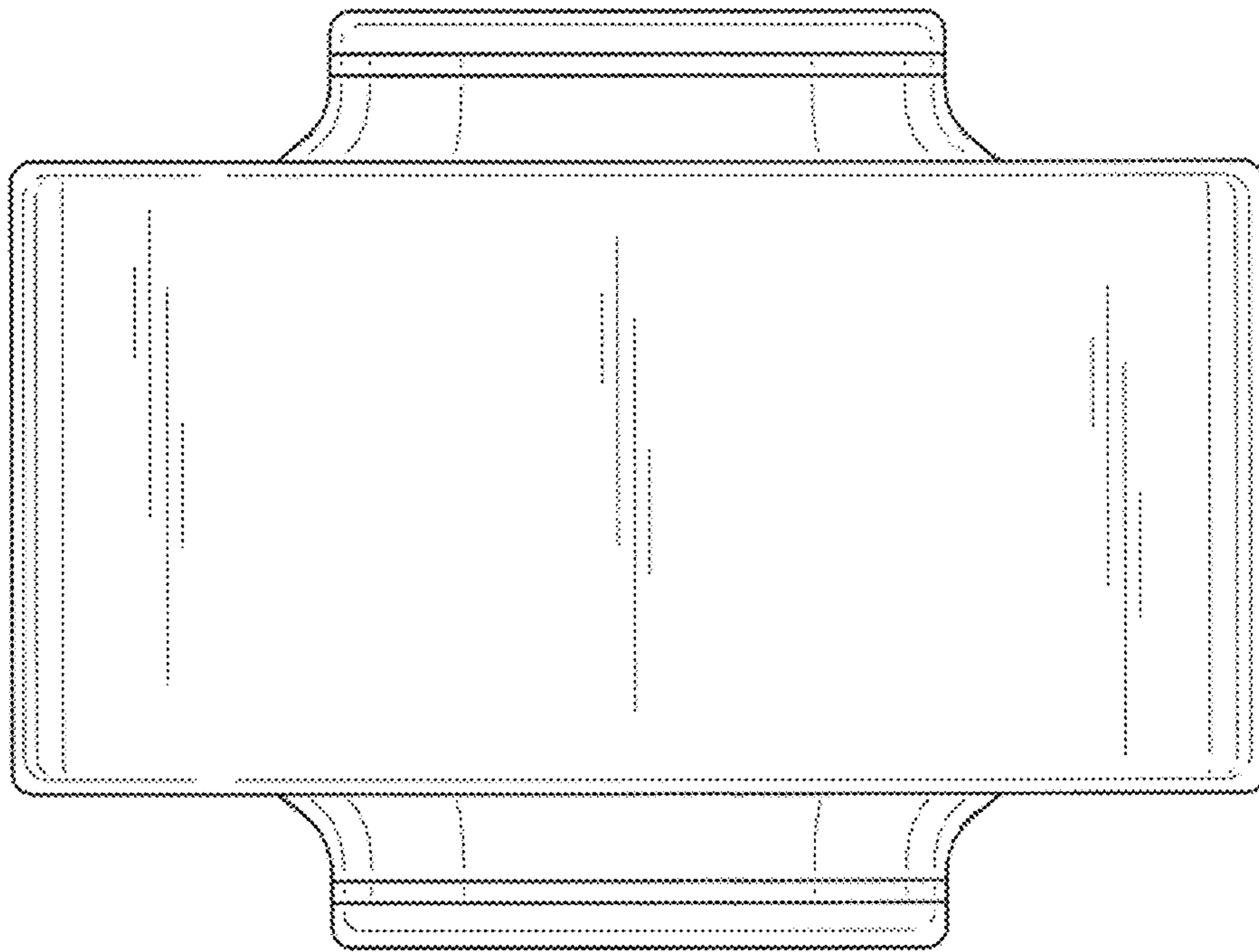


FIG. 5