



US00D820371S

(12) **United States Design Patent** (10) **Patent No.:** **US D820,371 S**
Giang (45) **Date of Patent:** **** Jun. 12, 2018**

(54) **SKATEBOARD**

(71) Applicant: **e-Xperience GmbH**, Flawil (CH)
 (72) Inventor: **Tu Van Giang**, Zurich (CH)
 (73) Assignee: **E-Xperience GmbH**, Flawil (CH)
 (**) Term: **15 Years**
 (21) Appl. No.: **29/606,898**
 (22) Filed: **Jun. 8, 2017**

Related U.S. Application Data

(63) Continuation-in-part of application No. 29/586,876, filed on Dec. 7, 2016.

Foreign Application Priority Data

Dec. 7, 2016 (WO) 29586876

(51) **LOC (11) Cl.** **21-02**

(52) **U.S. Cl.**
USPC **D21/765**

(58) **Field of Classification Search**

USPC D21/419, 421, 423, 426, 662, 760, 765,
 D21/766, 769, 771, 776, 803; D12/1;
 280/7.14, 11.115, 11.19, 11.27, 11.28,
 280/14.21, 79.11, 79.2, 87.01, 87.021,
 280/87.03, 87.041, 87.042, 607, 608, 609,
 280/809; 180/180, 181; 434/247, 253,
 434/258; D34/23, 28
 CPC A63C 17/01; A63C 17/011; A63C 17/012;
 A63C 17/014; A63C 17/015; A63C
 17/02; A63C 17/26; A63C 5/003; B60Q
 1/326; B62K 3/001

See application file for complete search history.

(56) **References Cited**

U.S. PATENT DOCUMENTS

D243,206 S *	1/1977	Sherwood	D21/765
4,185,847 A *	1/1980	Johnson	A63C 17/0046 280/11.28
D501,905 S *	2/2005	Ellis	D21/760
D513,425 S *	1/2006	Kohl	D21/765
D556,283 S *	11/2007	Hamborg	D21/765
D635,212 S *	3/2011	Woncik	D21/765
D679,768 S *	4/2013	Dye	D21/765
D724,166 S *	3/2015	Hamborg	D21/765
D784,470 S *	4/2017	Kesselman	D21/765
2009/0121447 A1 *	5/2009	Piumarta	A63C 17/01 280/87.042

* cited by examiner

Primary Examiner — Cynthia M Chin

(74) *Attorney, Agent, or Firm* — Muncy, Geissler, Olds & Lowe, P.C.

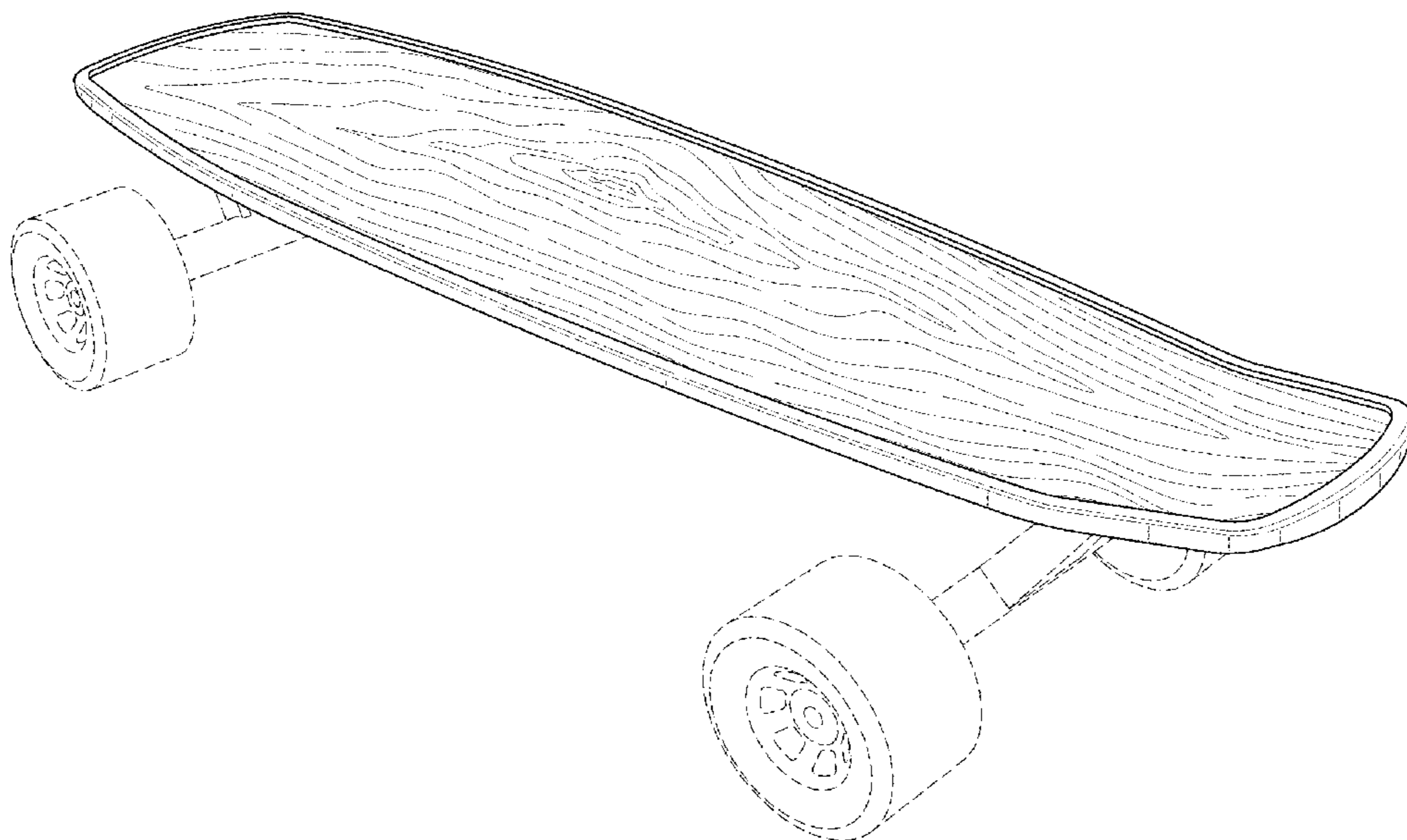
(57) **CLAIM**

The ornamental design for a skateboard, as shown and described.

DESCRIPTION

FIG. 1 is a front perspective view of a skateboard according to the present invention.
 FIG. 2 is a rear perspective view of the skateboard of FIG. 1.
 FIG. 3 is a top view of the skateboard of FIG. 1.
 FIG. 4 is a right side view of the skateboard of FIG. 1.
 FIG. 5 is a front view of the skateboard of FIG. 1; and,
 FIG. 6 is a bottom view of the skateboard of FIG. 1.
 The broken lines are for the purpose of illustrating portions of the article that form no part of the claim.

1 Claim, 6 Drawing Sheets



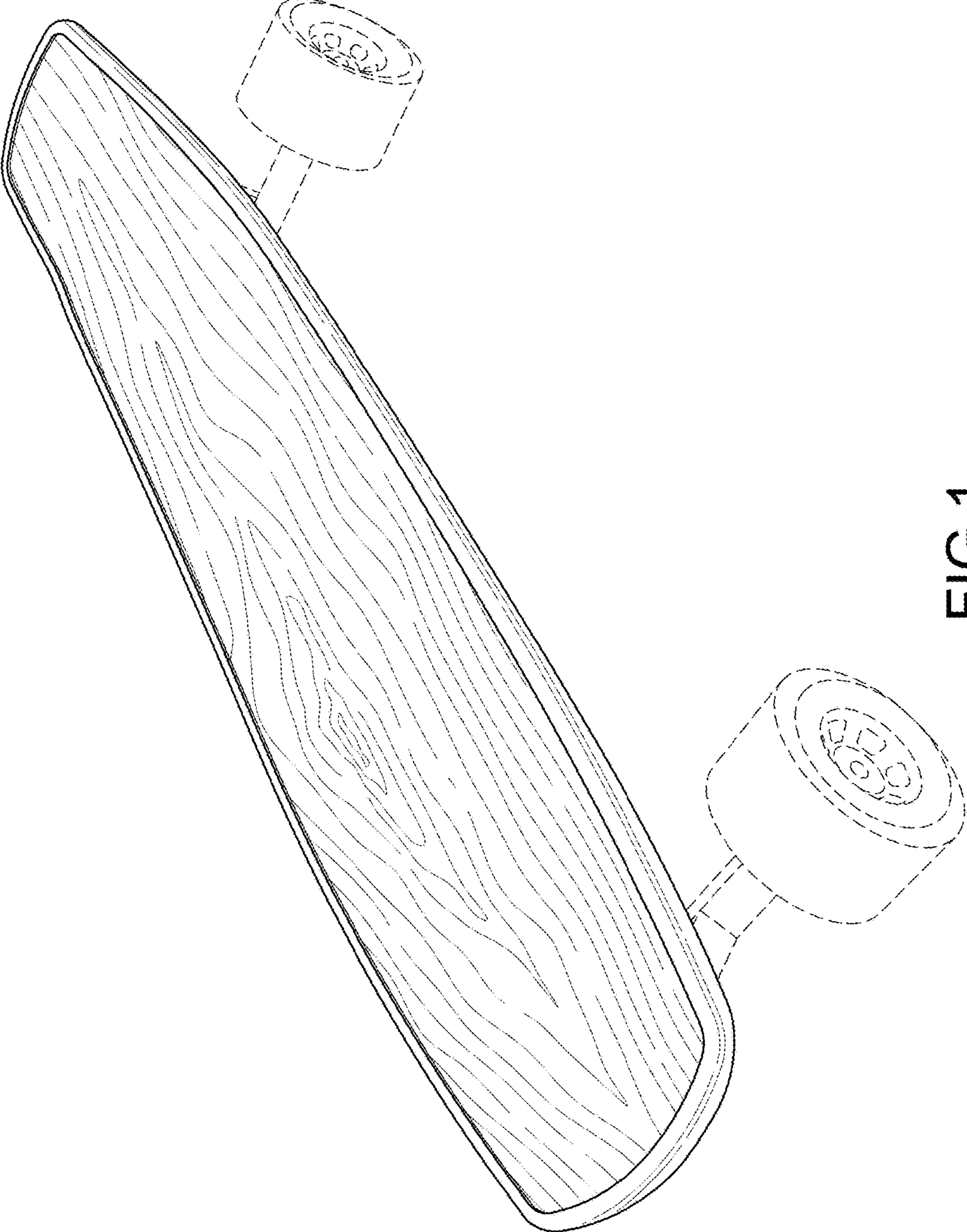


FIG. 1

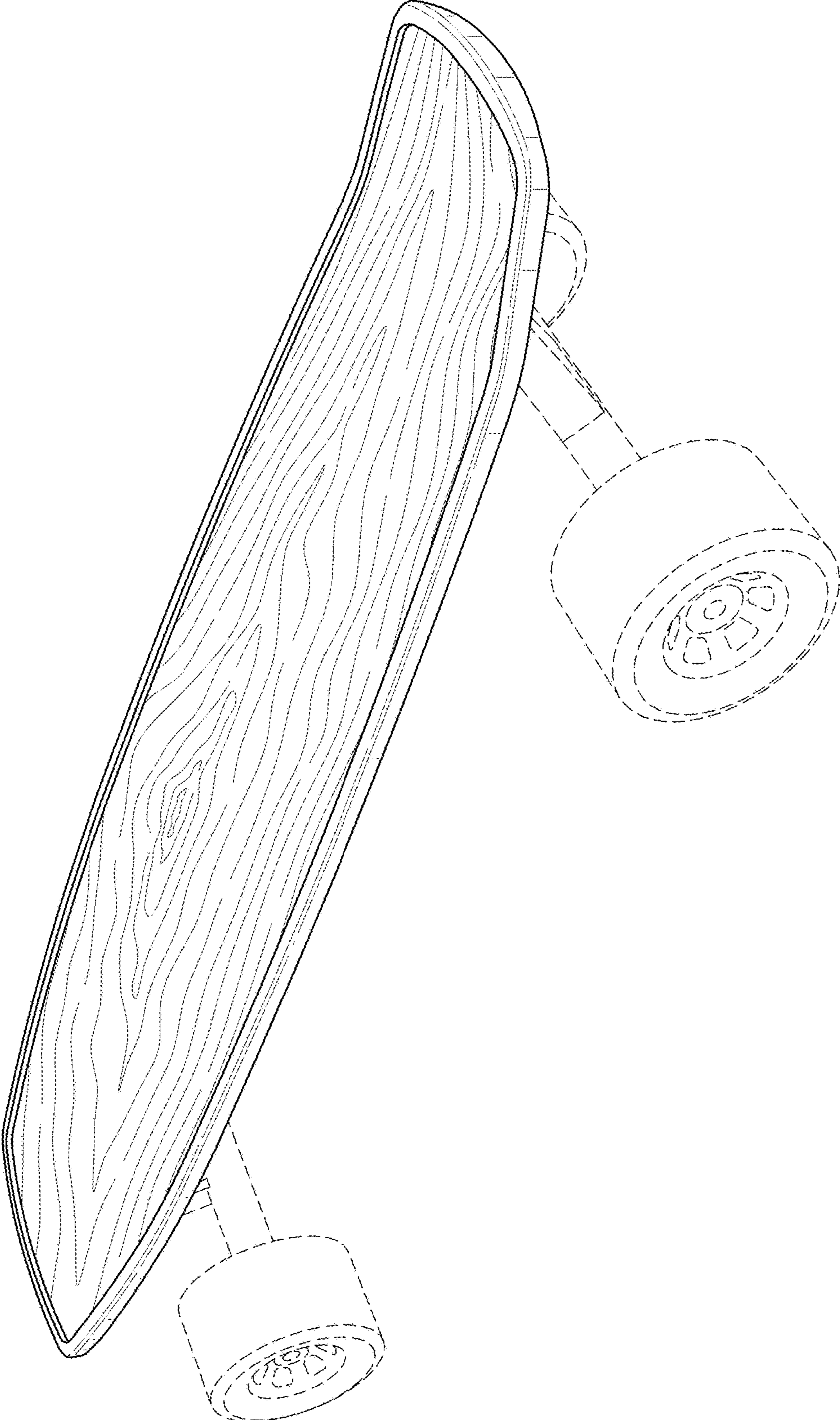


FIG.2

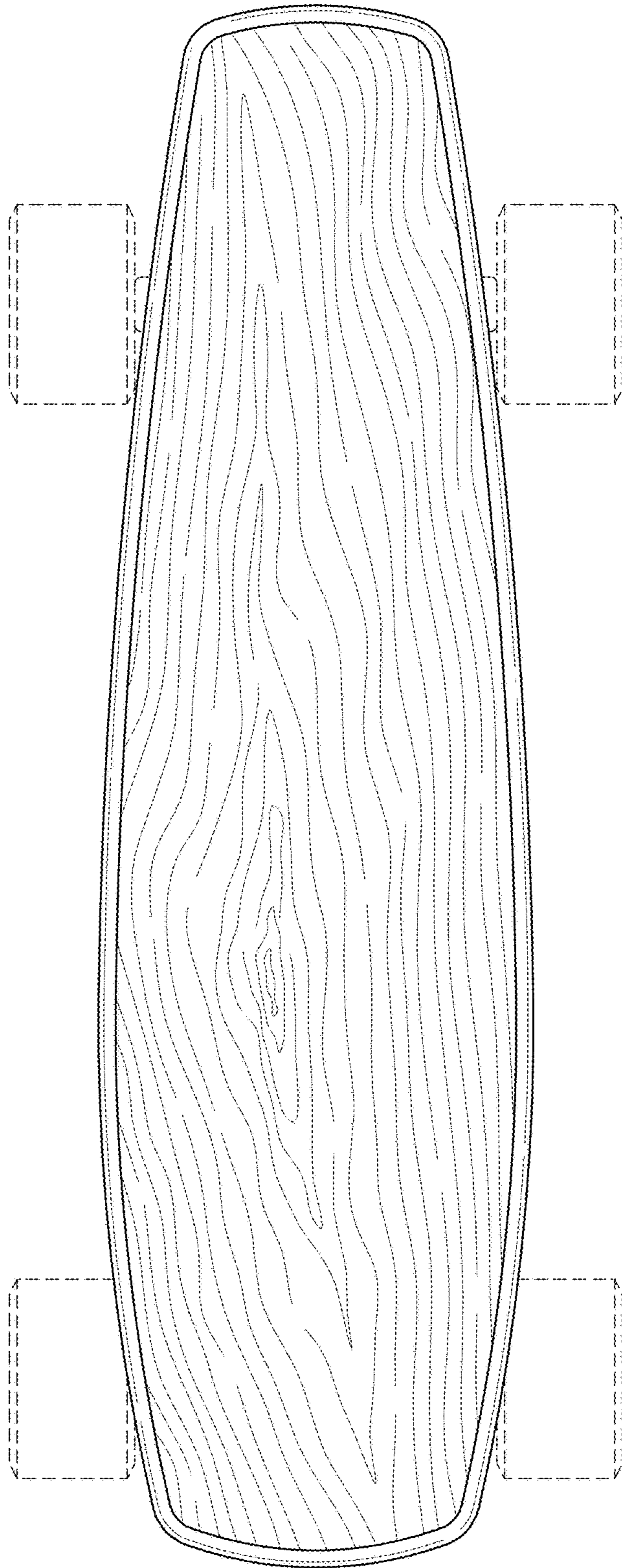


FIG.3

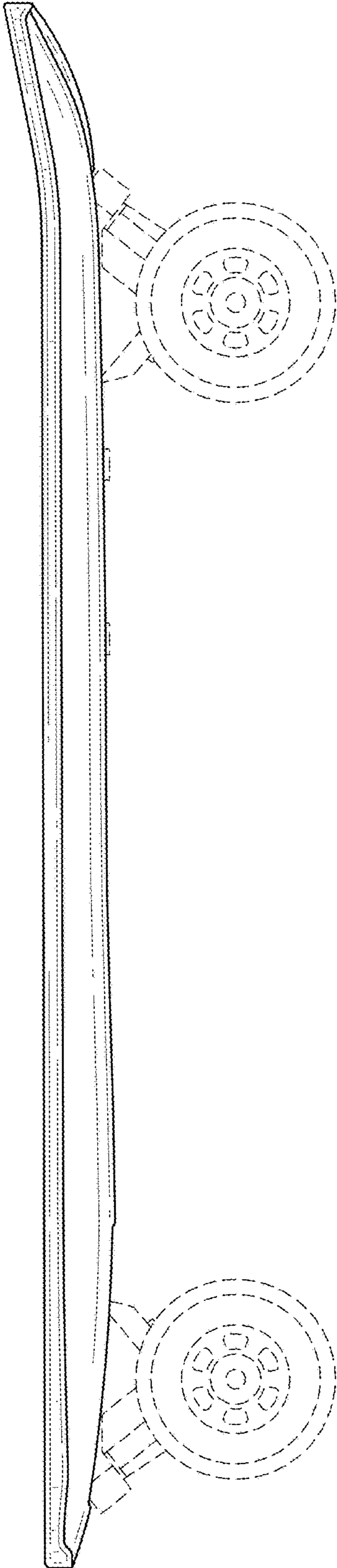


FIG.4

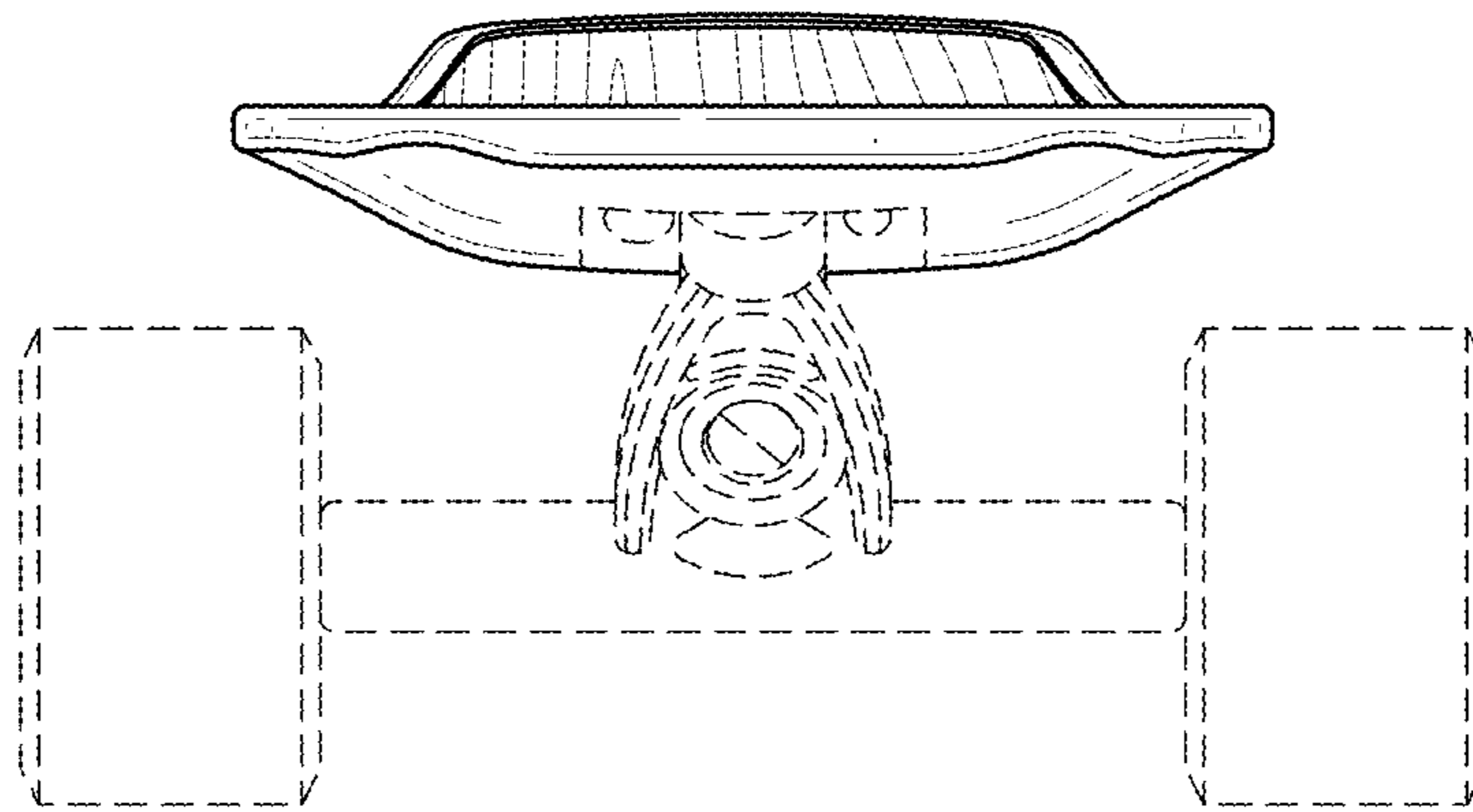


FIG.5

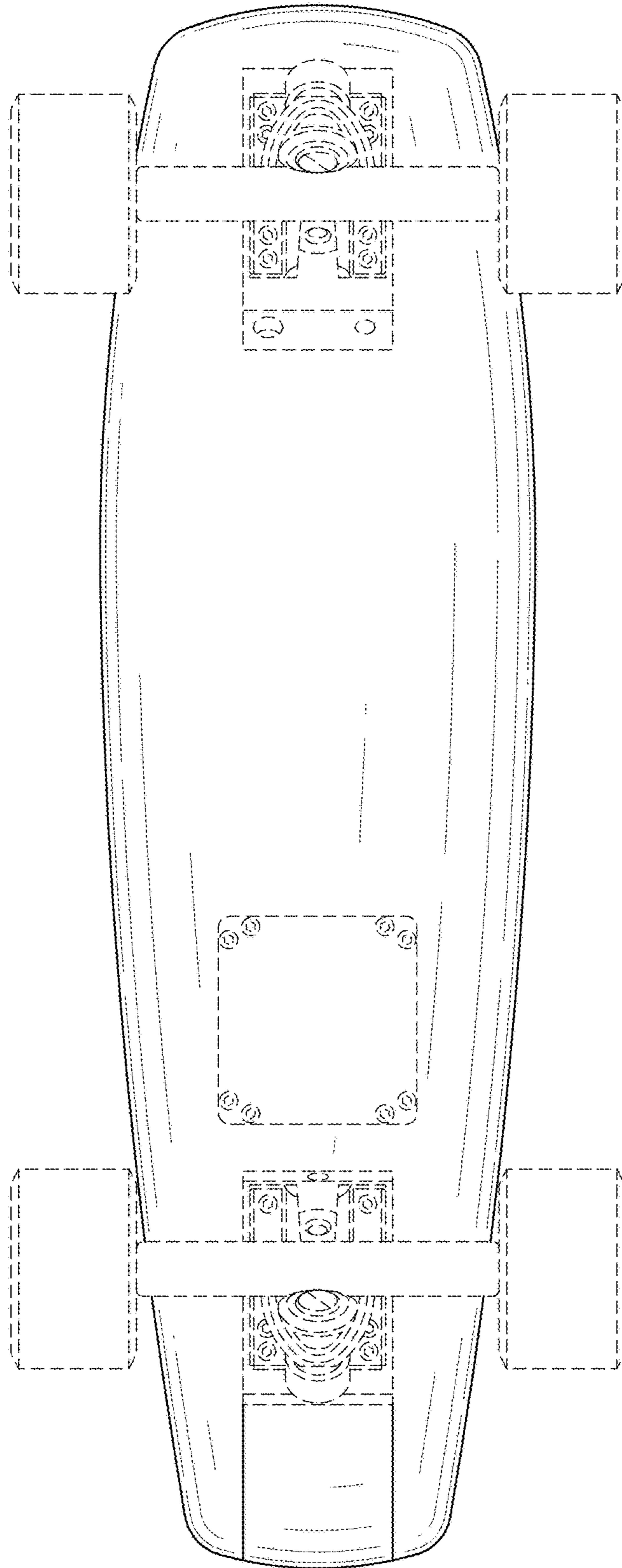


FIG.6