



US00D820369S

(12) **United States Design Patent**
Ripp

(10) **Patent No.:** **US D820,369 S**

(45) **Date of Patent:** **** *Jun. 12, 2018**

- (54) **GOLF CLUB HEAD**
- (71) Applicant: **DUNLOP SPORTS CO. LTD.**, Kobe, Hyogo (JP)
- (72) Inventor: **Patrick A. Ripp**, Huntington Beach, CA (US)
- (73) Assignee: **DUNLOP SPORTS CO. LTD.**, Kobe (JP)
- (*) Notice: This patent is subject to a terminal disclaimer.
- (**) Term: **15 Years**
- (21) Appl. No.: **29/580,079**
- (22) Filed: **Oct. 5, 2016**
- (51) **LOC (11) Cl.** **21-02**
- (52) **U.S. Cl.**
USPC **D21/759**
- (58) **Field of Classification Search**
USPC D21/733-752, 759
CPC A63B 53/00; A63B 53/04; A63B 53/007; A63B 53/065; A63B 53/0487; A63B 60/00; A63B 60/46; A63B 53/047; A63B 53/0475; A63B 2053/0479; A63B 2053/0483; A63B 2053/0445; A63B 2053/002; A63B 2053/0433; A63B 53/0466; A63B 2053/0491; A63B 2053/0437
See application file for complete search history.

- 1,965,954 A * 7/1934 Davis A63B 53/04 473/242
- 4,754,975 A * 7/1988 Aizawa A63B 53/04 473/348
- 5,637,044 A * 6/1997 Swash A63B 53/0487 473/251
- D420,079 S * 2/2000 Frazetta D21/747
- D458,331 S * 6/2002 Wahl D21/759
- D570,934 S * 6/2008 Ban D21/744
- 7,473,187 B2 * 1/2009 Vokey A63B 53/047 473/330
- D588,221 S * 3/2009 Takahashi D21/759
- D588,222 S * 3/2009 Takahashi D21/759
- D588,666 S * 3/2009 Takahashi D21/759
- D596,687 S * 7/2009 Bezilla D21/759
- 7,594,863 B2 * 9/2009 Ban A63B 53/047 473/331

(Continued)

Primary Examiner — Mitchell I. Siegel
(74) *Attorney, Agent, or Firm* — Jesse O. Collier

(57) **CLAIM**

The ornamental design for a golf club head, as shown and described.

DESCRIPTION

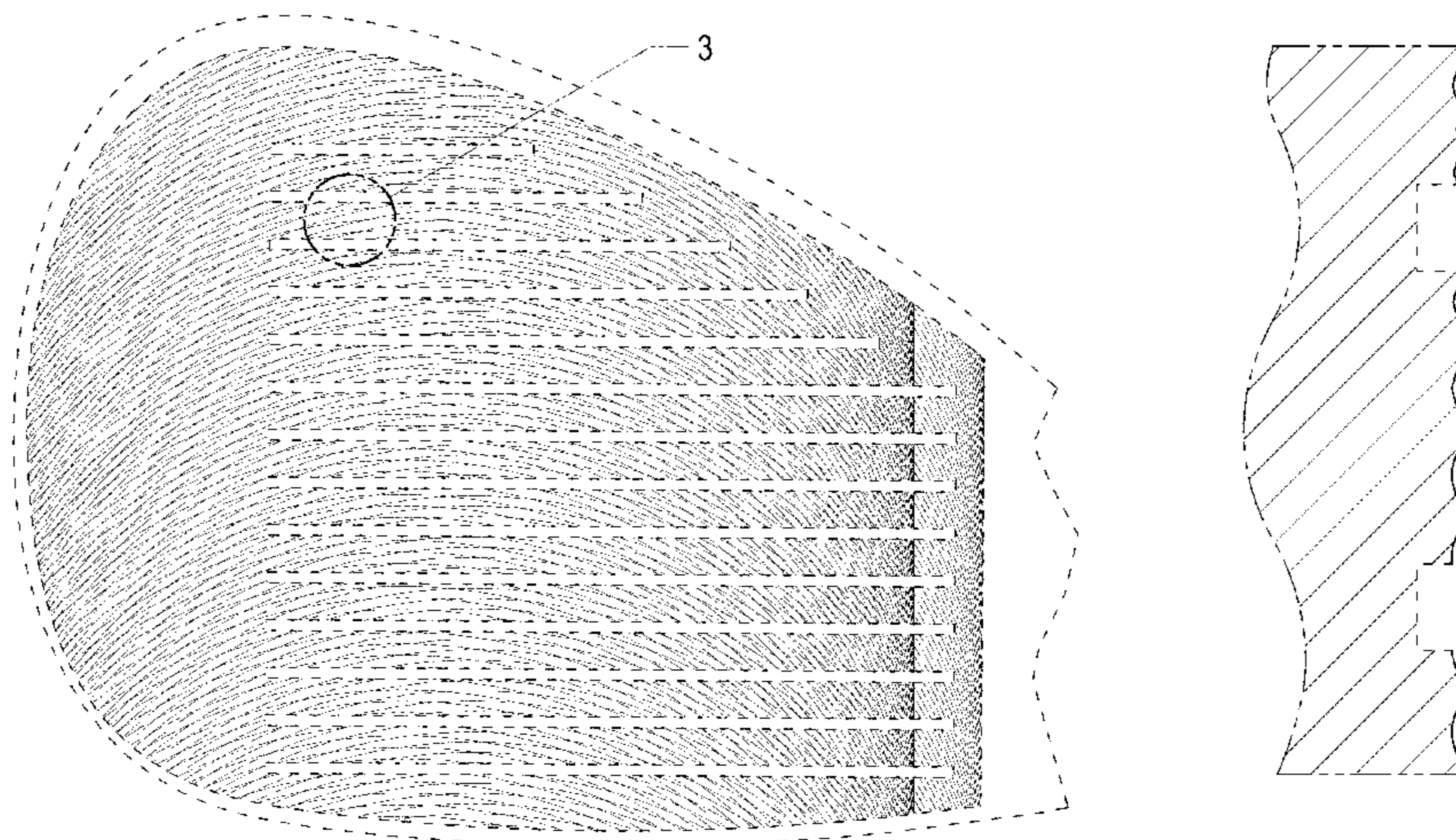
FIG. 1 is a front elevational view of the golf club head; FIG. 2 is an enlarged front elevational view thereof; FIG. 3 is an enlarged view of area 3 in FIG. 2; FIG. 4 is a cross-sectional view thereof taken along line 4-4 in FIG. 3; FIG. 5 is a top plan view thereof; FIG. 6 is a bottom plan view thereof; FIG. 7 is a toe-side elevational view thereof; FIG. 8 is a heel-side elevational view thereof; and, FIG. 9 is a rear elevational view thereof.
The broken lines depict unclaimed portions of the golf club head, and thus form no part of the claimed design. The dot-dot-dash chain lines depict the boundaries of enlarged areas, and thus form no part of the claimed design.

1 Claim, 8 Drawing Sheets

(56) **References Cited**

U.S. PATENT DOCUMENTS

- 1,289,553 A * 12/1918 Sanders A63B 53/04 473/331
- 1,337,958 A * 4/1920 Reach A63B 53/04 473/331
- D55,644 S * 7/1920 Reach D21/750



(56)

References Cited

U.S. PATENT DOCUMENTS

D603,009 S * 10/2009 Bezilla D21/759
D606,605 S * 12/2009 Wada D21/759
D607,070 S * 12/2009 Wada D21/759
D607,071 S * 12/2009 Wada D21/759
D612,438 S * 3/2010 Carlyle D21/759
D612,439 S * 3/2010 Carlyle D21/759
D617,406 S * 6/2010 Carlyle D21/759
D633,967 S * 3/2011 Carlyle D21/759
D634,804 S * 3/2011 Beaulieu D21/759
D639,366 S * 6/2011 Reinberg D21/759
D639,367 S * 6/2011 Reinberg D21/759
D643,490 S * 8/2011 Wada D21/759
8,012,036 B2 * 9/2011 Nakamura A63B 53/00
473/290
D707,316 S * 6/2014 Aguayo D21/759
D707,317 S * 6/2014 Aguayo D21/759
D716,387 S * 10/2014 Aguayo D21/759
D716,388 S * 10/2014 Aguayo D21/759
D756,475 S * 5/2016 Ripp D21/759
D760,854 S * 7/2016 Ripp D21/759
D764,000 S * 8/2016 Gonczi D21/759
D786,379 S * 5/2017 Ivanova D21/759
2008/0020859 A1 * 1/2008 Yamagishi A63B 53/047
473/324
2008/0125241 A1 * 5/2008 Tateno A63B 53/0487
473/331
2009/0247318 A1 * 10/2009 Ban A63B 53/047
473/331

* cited by examiner

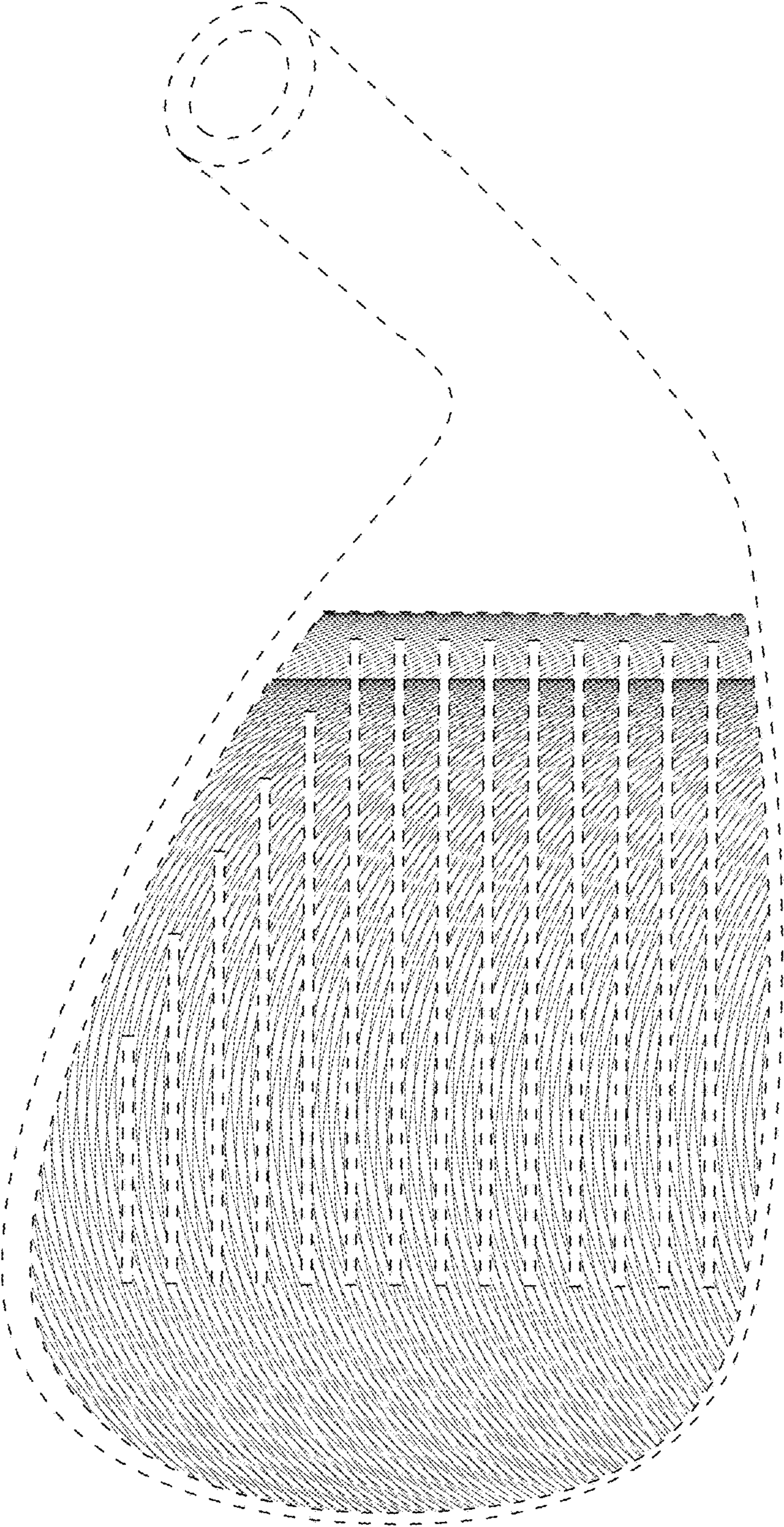


FIG. 1

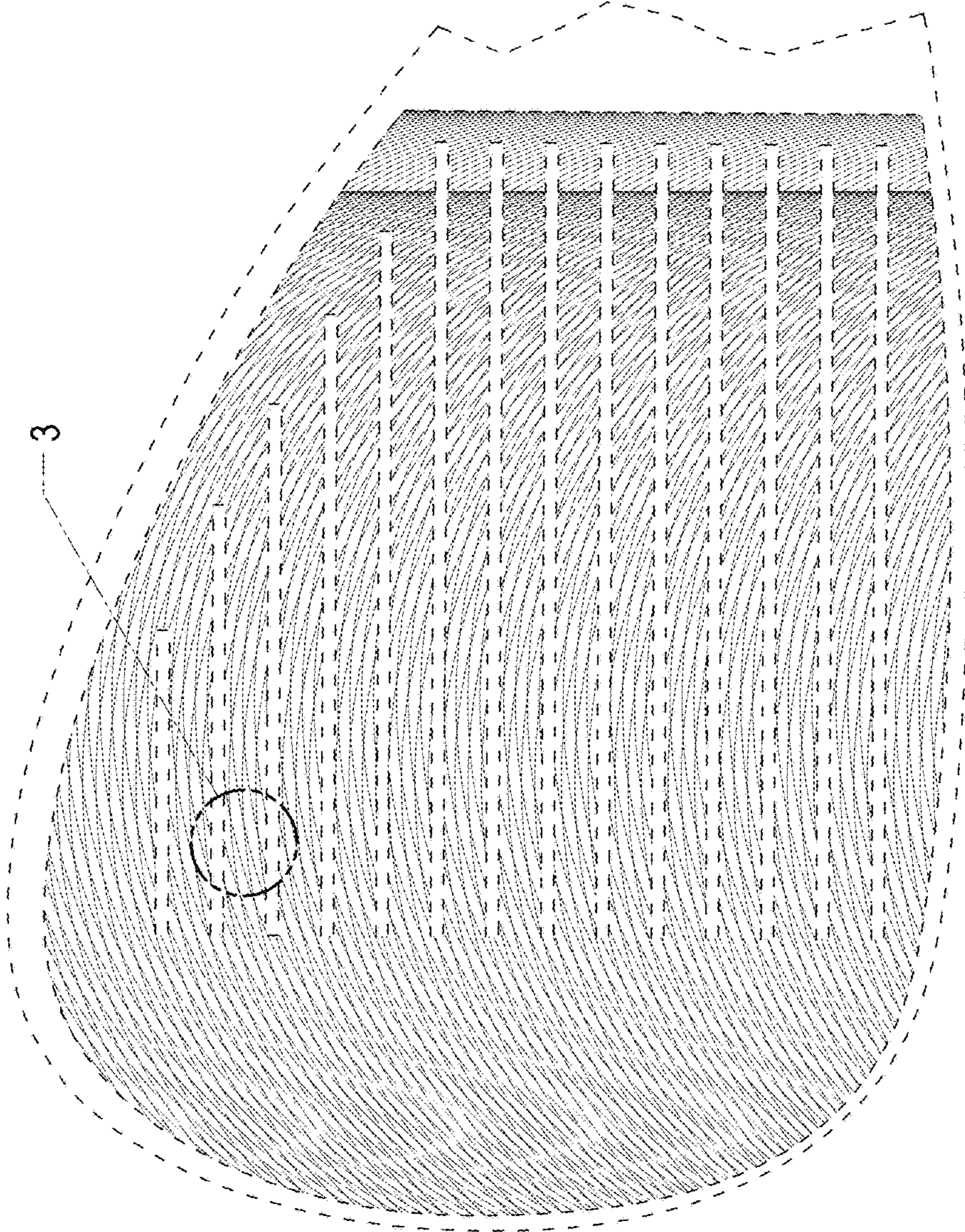


FIG. 2

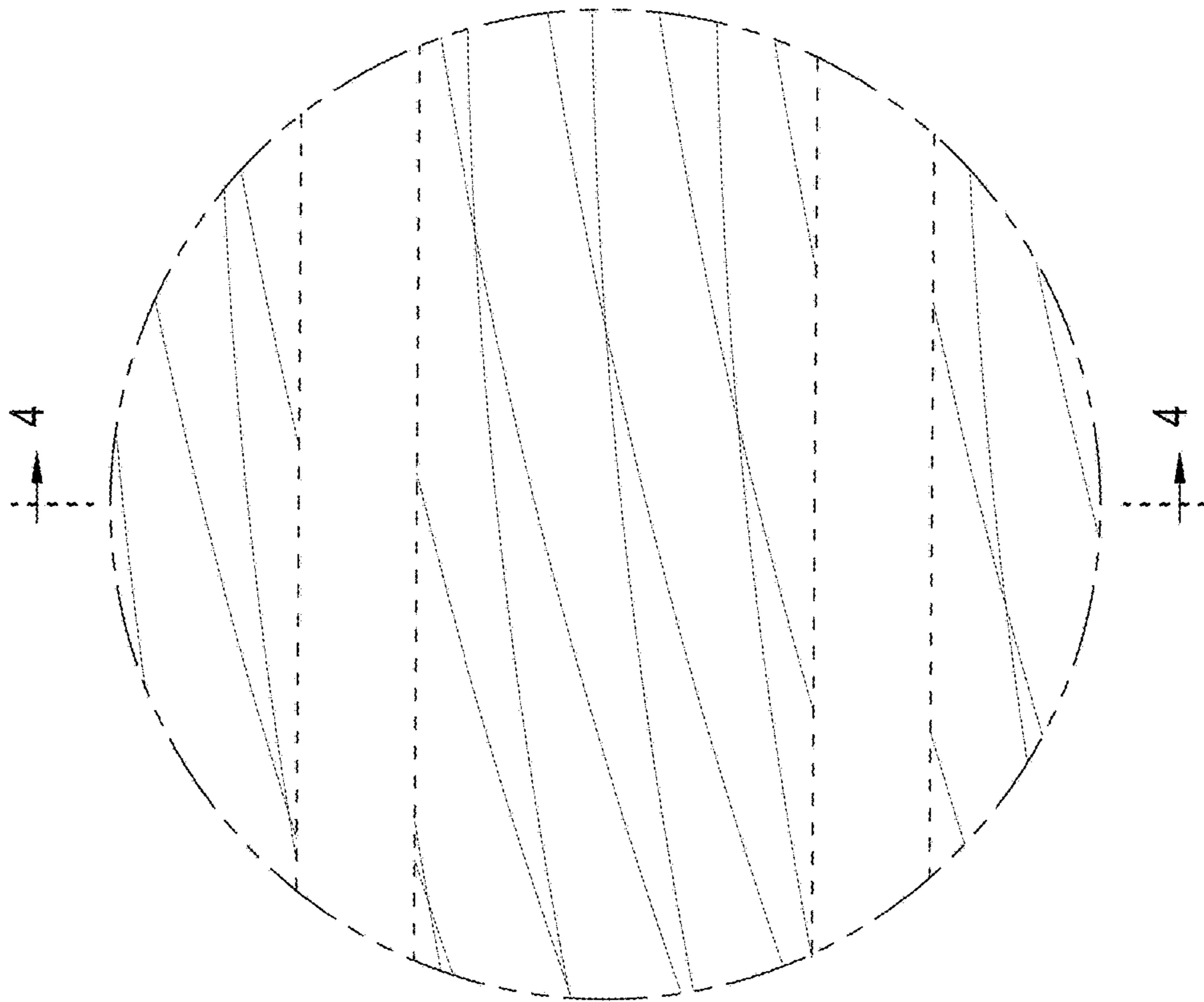


FIG. 3

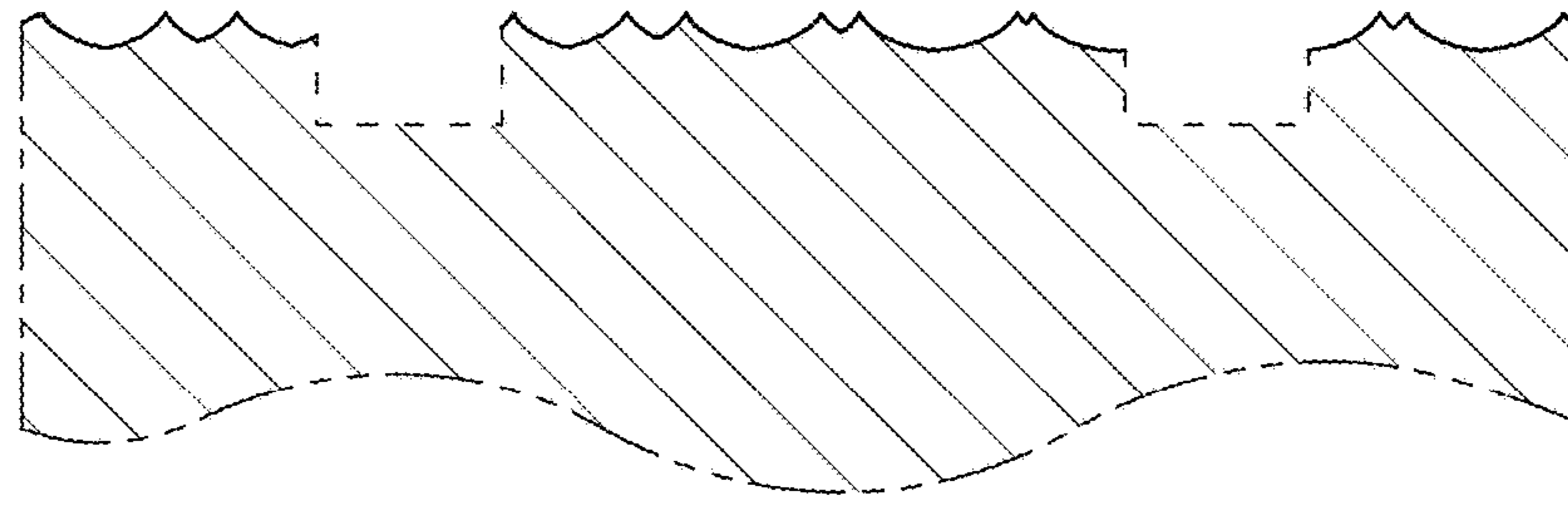


FIG. 4

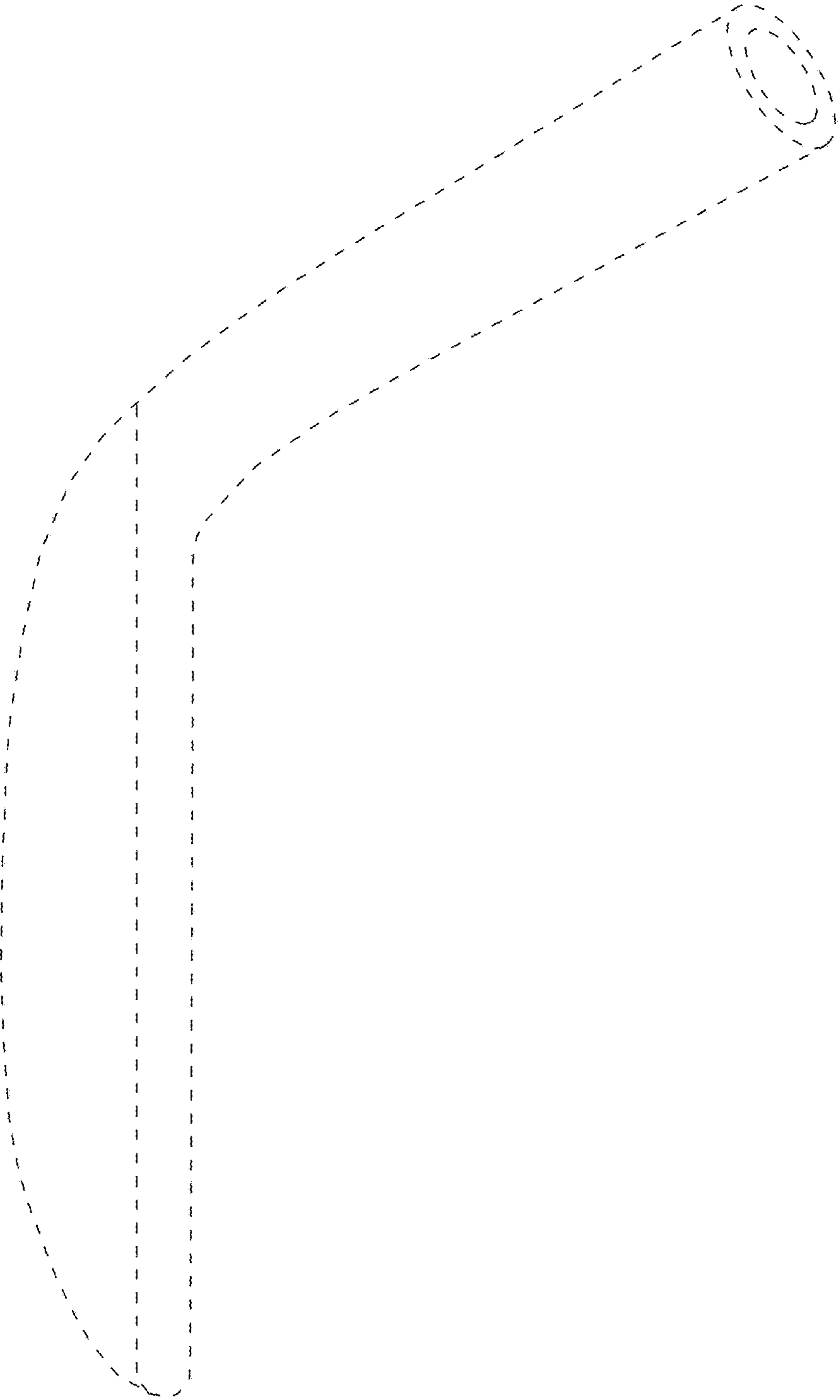


FIG. 5

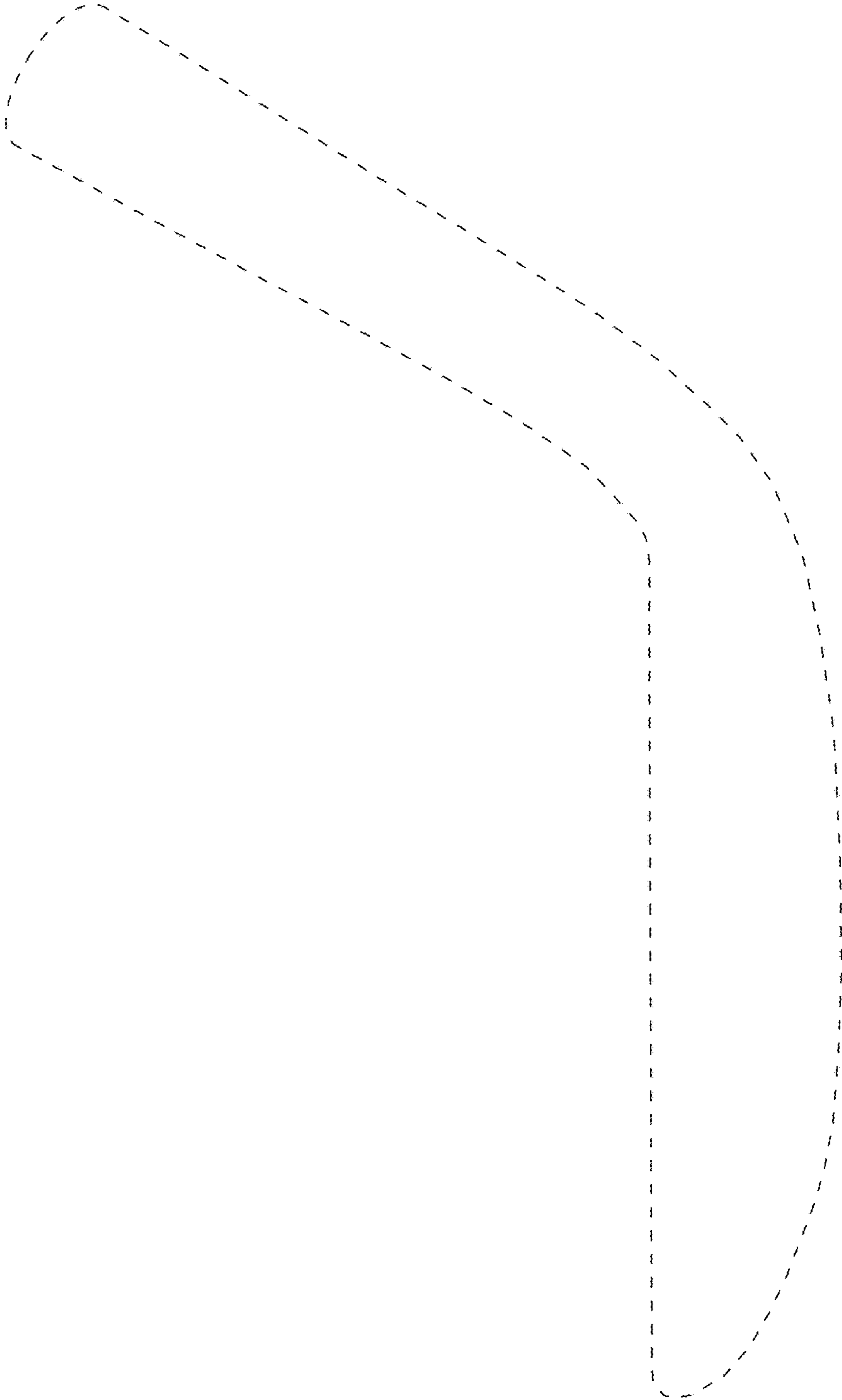


FIG. 6

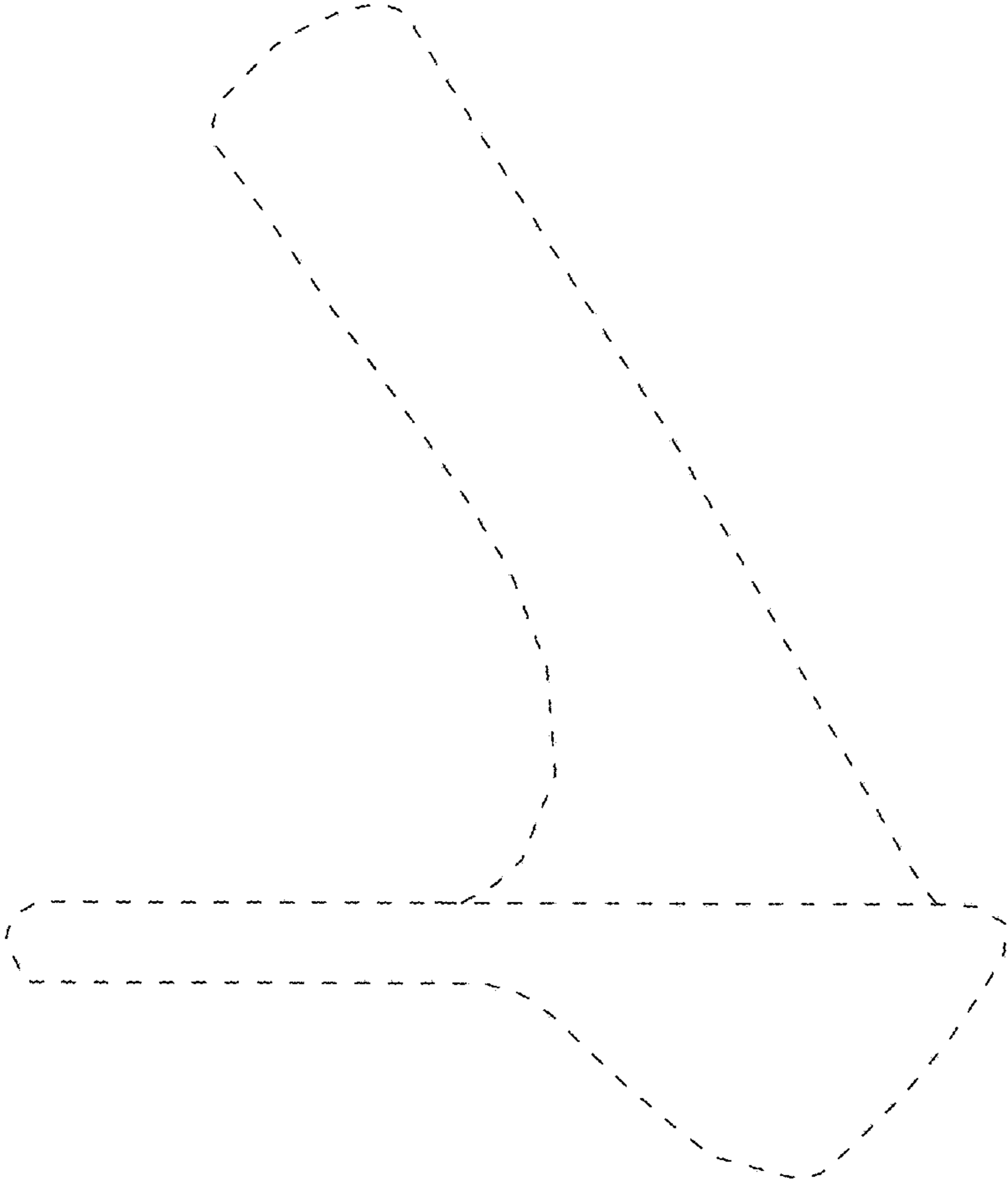


FIG. 7

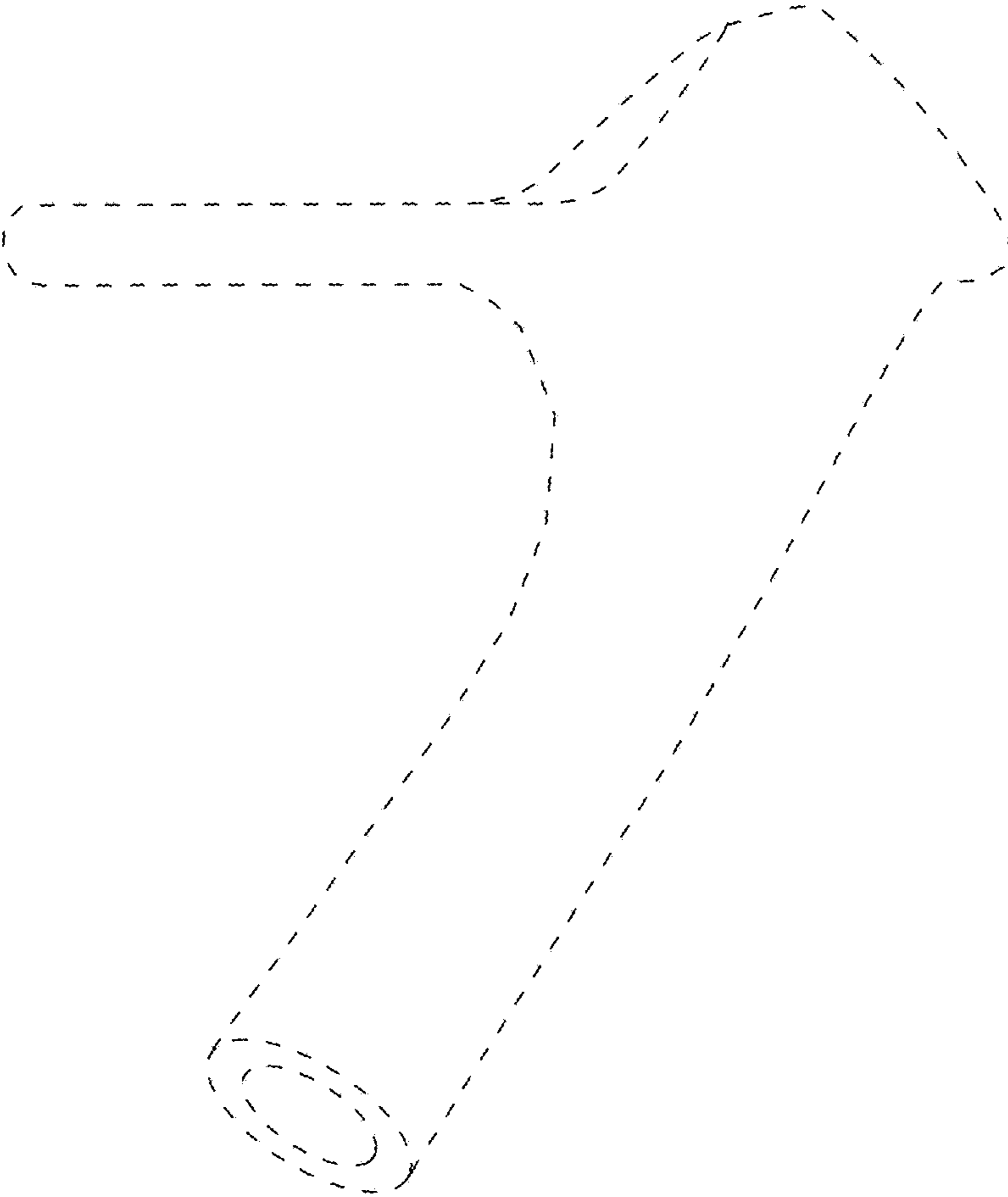


FIG. 8

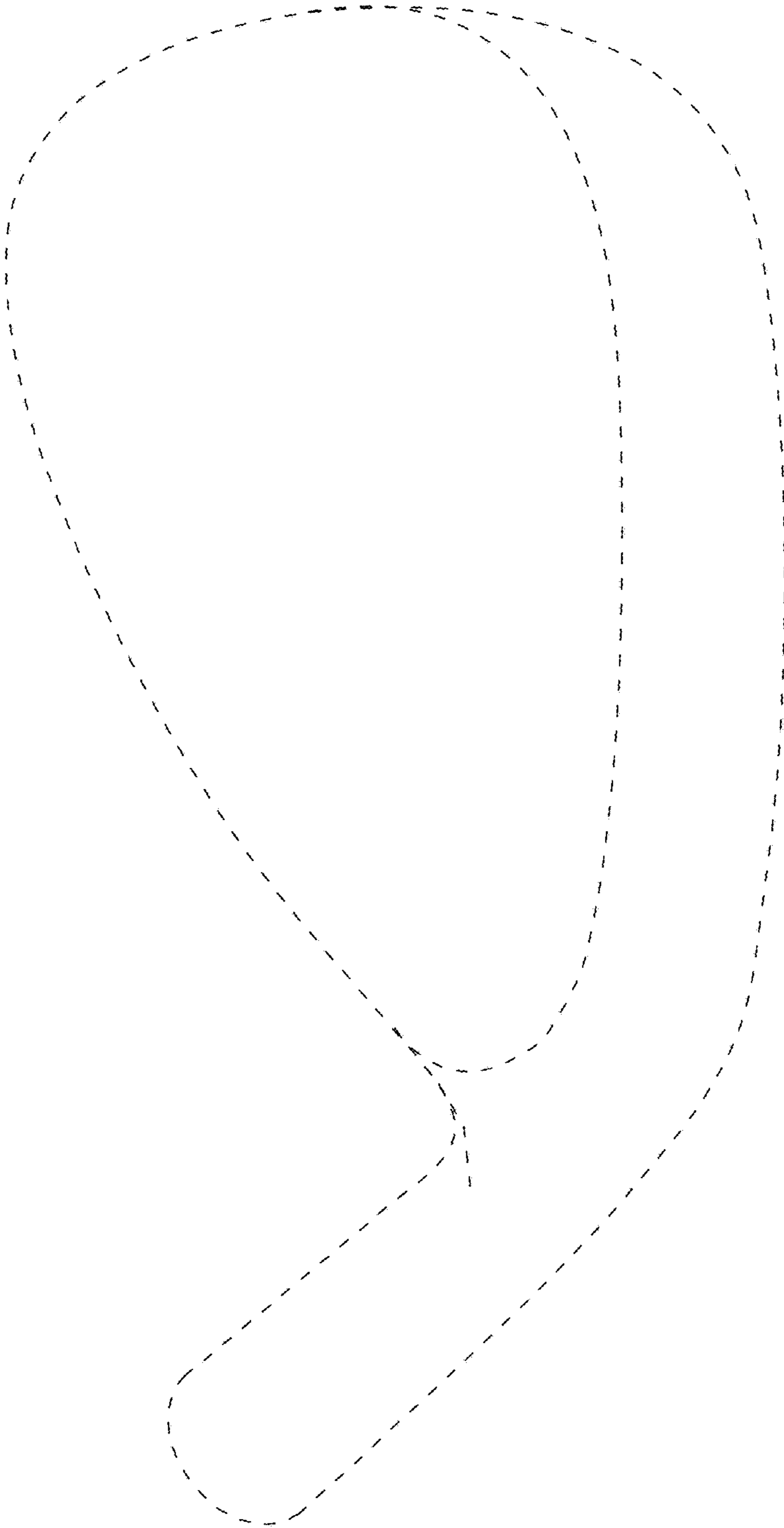


FIG. 9