



US00D820368S

(12) **United States Design Patent**  
**Ripp**

(10) **Patent No.:** **US D820,368 S**

(45) **Date of Patent:** **\*\* \*Jun. 12, 2018**

- (54) **GOLF CLUB HEAD**
- (71) Applicant: **DUNLOP SPORTS CO. LTD.**, Kobe, Hyogo (JP)
- (72) Inventor: **Patrick A. Ripp**, Huntington Beach, CA (US)
- (73) Assignee: **DUNLOP SPORTS CO. LTD.**, Kobe (JP)
- (\*) Notice: This patent is subject to a terminal disclaimer.
- (\*\*) Term: **15 Years**

1,965,954	A *	7/1934	Davis	.....	A63B 53/04 473/242
4,754,975	A *	7/1988	Aizawa	.....	A63B 53/04 473/348
5,637,044	A *	6/1997	Swash	.....	A63B 53/0487 473/251
D420,079	S *	2/2000	Frazetta	.....	D21/747
D458,331	S *	6/2002	Wahl	.....	D21/759
D570,934	S *	6/2008	Ban	.....	D21/744
7,473,187	B2 *	1/2009	Vokey	.....	A63B 53/047 473/330
D588,221	S *	3/2009	Takahashi	.....	D21/759
D588,222	S *	3/2009	Takahashi	.....	D21/759
D588,666	S *	3/2009	Takahashi	.....	D21/759
D596,687	S *	7/2009	Bezilla	.....	D21/759
7,594,863	B2 *	9/2009	Ban	.....	A63B 53/047 473/331

(Continued)

*Primary Examiner* — Mitchell I. Siegel  
(74) *Attorney, Agent, or Firm* — Oliff PLC

- (21) Appl. No.: **29/580,069**
- (22) Filed: **Oct. 5, 2016**
- (51) **LOC (11) Cl.** ..... **21-02**
- (52) **U.S. Cl.**  
USPC ..... **D21/759**
- (58) **Field of Classification Search**  
USPC ..... D21/733–752, 759  
CPC ..... A63B 53/00; A63B 53/04; A63B 53/007;  
A63B 53/065; A63B 53/0487; A63B  
60/00; A63B 60/46; A63B 53/047; A63B  
53/0475; A63B 2053/0479; A63B  
2053/0483; A63B 2053/0445; A63B  
2053/002; A63B 2053/0433; A63B  
53/0466; A63B 2053/0491; A63B  
2053/0437  
See application file for complete search history.

(57) **CLAIM**

The ornamental design for a golf club head, as shown and described.

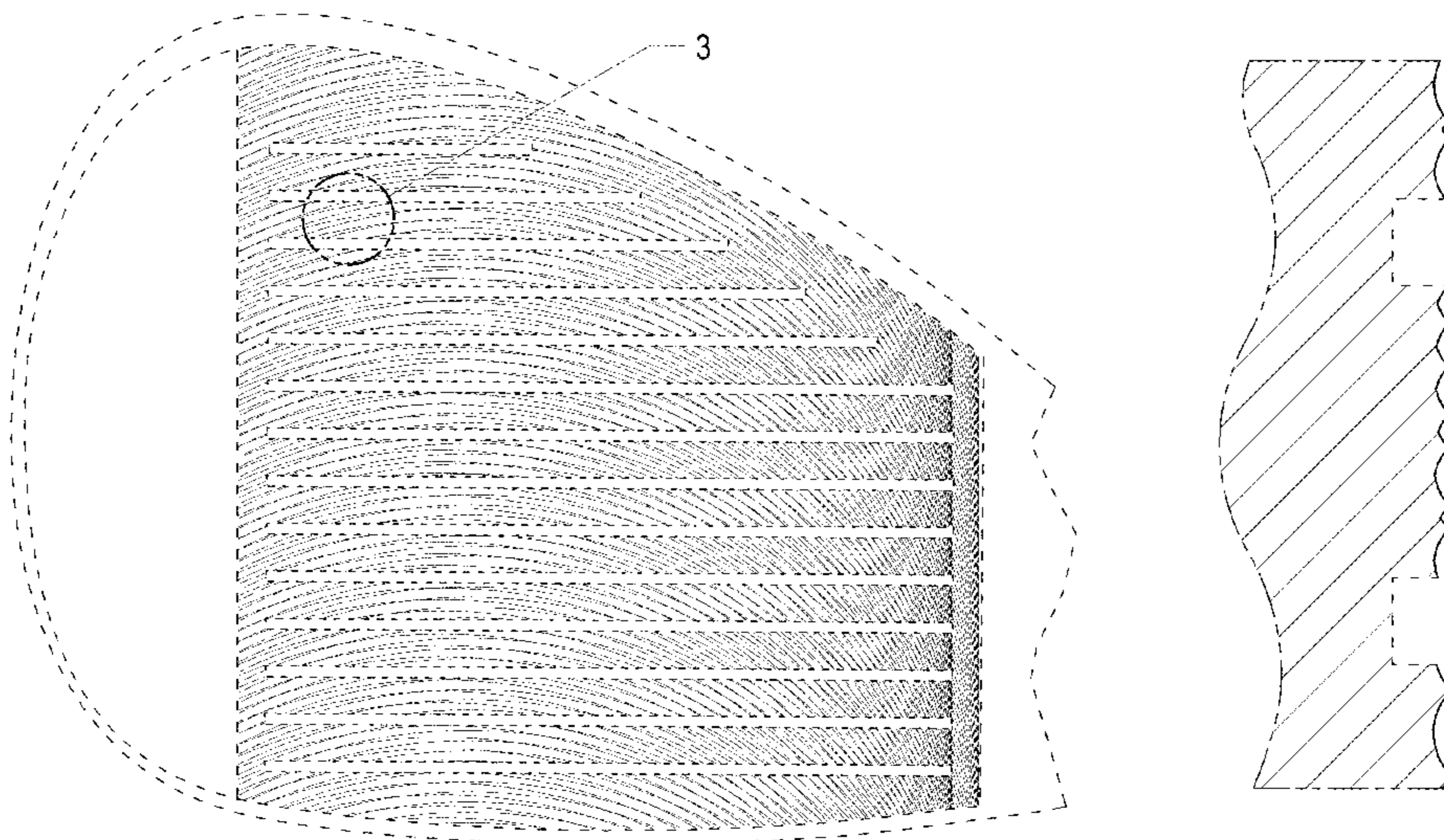
**DESCRIPTION**

FIG. 1 is a front elevational view of the golf club head; FIG. 2 is an enlarged front elevational view thereof; FIG. 3 is an enlarged view of area 3 in FIG. 2; FIG. 4 is a cross-sectional view thereof taken along line 4-4 in FIG. 3; FIG. 5 is a top plan view thereof; FIG. 6 is a bottom plan view thereof; FIG. 7 is a toe-side elevational view thereof; FIG. 8 is a heel-side elevational view thereof; and, FIG. 9 is a rear elevational view thereof.

The broken lines depict unclaimed portions of the golf club head, and thus form no part of the claimed design. The dot-dot-dash chain lines depict the boundaries of enlarged areas, and thus form no part of the claimed design.

**1 Claim, 8 Drawing Sheets**

- (56) **References Cited**  
U.S. PATENT DOCUMENTS  
1,289,553 A \* 12/1918 Sanders ..... A63B 53/04  
473/331  
1,337,958 A \* 4/1920 Reach ..... A63B 53/04  
473/331  
D55,644 S \* 7/1920 Reach ..... D21/750



(56)

## References Cited

## U.S. PATENT DOCUMENTS

D603,009 S \* 10/2009 Bezilla ..... D21/759  
D606,605 S \* 12/2009 Wada ..... D21/759  
D607,070 S \* 12/2009 Wada ..... D21/759  
D607,071 S \* 12/2009 Wada ..... D21/759  
D612,438 S \* 3/2010 Carlyle ..... D21/759  
D612,439 S \* 3/2010 Carlyle ..... D21/759  
D617,406 S \* 6/2010 Carlyle ..... D21/759  
D633,967 S \* 3/2011 Carlyle ..... D21/759  
D634,804 S \* 3/2011 Beaulieu ..... D21/759  
D639,366 S \* 6/2011 Reinberg ..... D21/759  
D639,367 S \* 6/2011 Reinberg ..... D21/759  
D643,490 S \* 8/2011 Wada ..... D21/759  
8,012,036 B2 \* 9/2011 Nakamura ..... A63B 53/00  
473/290  
D707,316 S \* 6/2014 Aguayo ..... D21/759  
D707,317 S \* 6/2014 Aguayo ..... D21/759  
D716,387 S \* 10/2014 Aguayo ..... D21/759  
D716,388 S \* 10/2014 Aguayo ..... D21/759  
D756,475 S \* 5/2016 Ripp ..... D21/759  
D760,854 S \* 7/2016 Ripp ..... D21/759  
D764,000 S \* 8/2016 Gonczi ..... D21/759  
D786,379 S \* 5/2017 Ivanova ..... D21/759  
2008/0020859 A1 \* 1/2008 Yamagishi ..... A63B 53/047  
473/324  
2008/0125241 A1 \* 5/2008 Tateno ..... A63B 53/0487  
473/331  
2009/0247318 A1 \* 10/2009 Ban ..... A63B 53/047  
473/331

\* cited by examiner

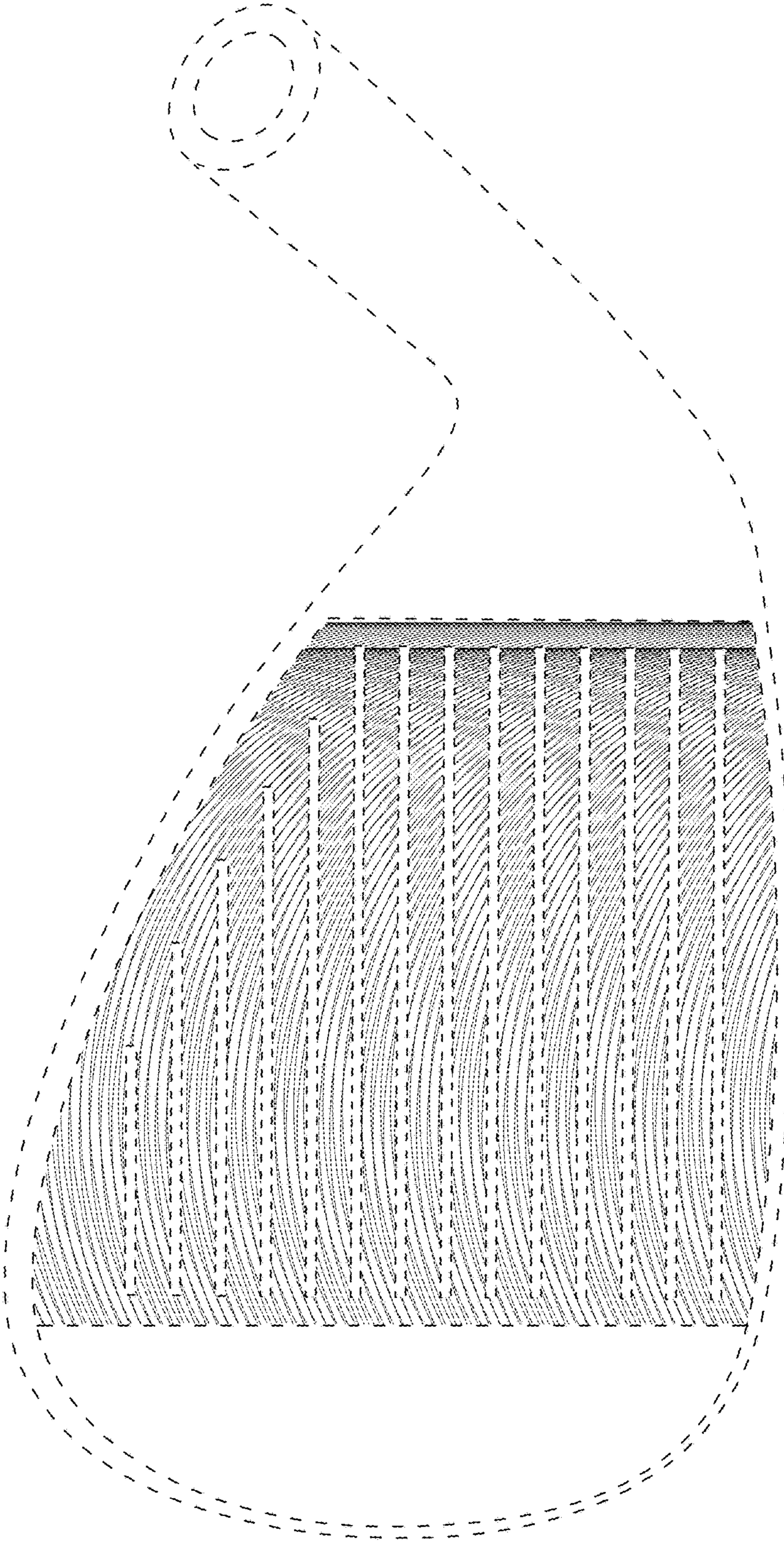


FIG. 1

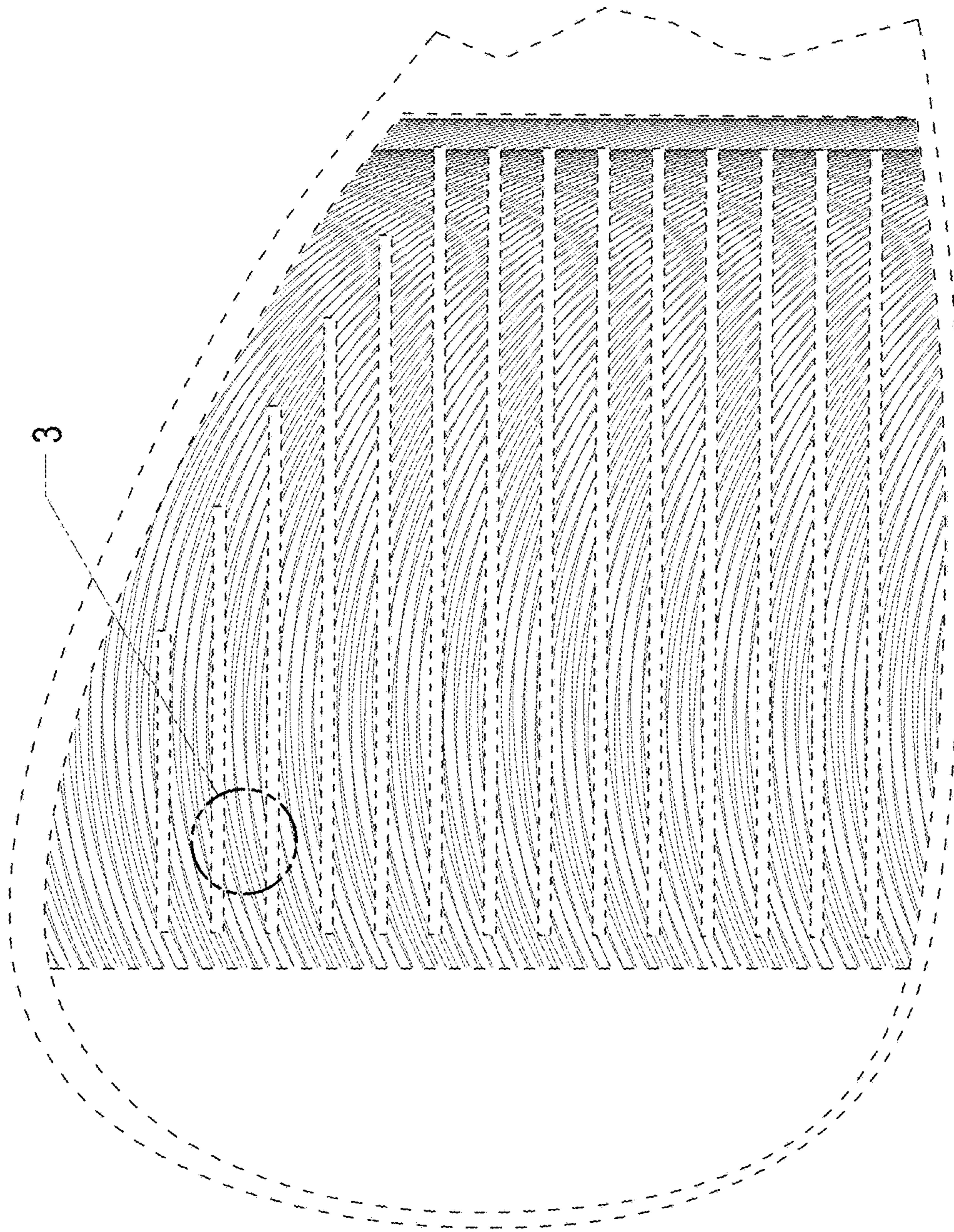


FIG. 2

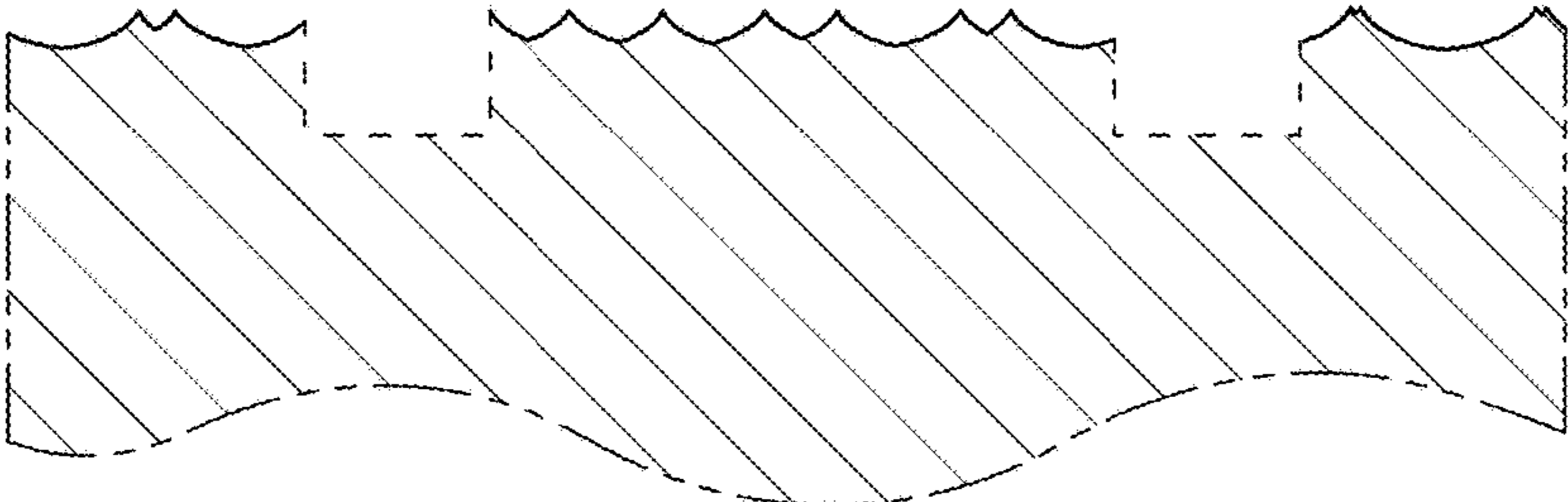


FIG. 4

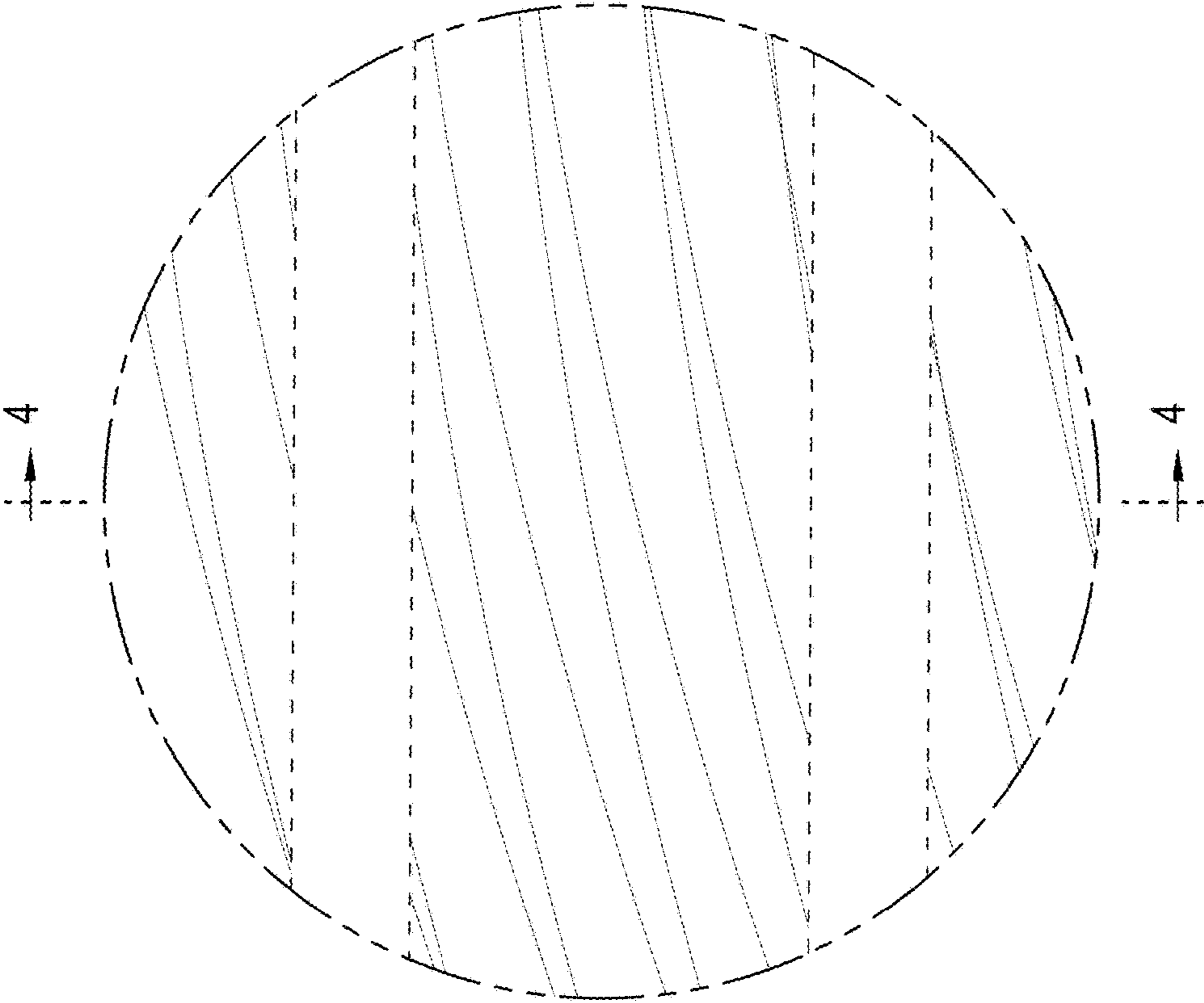


FIG. 3

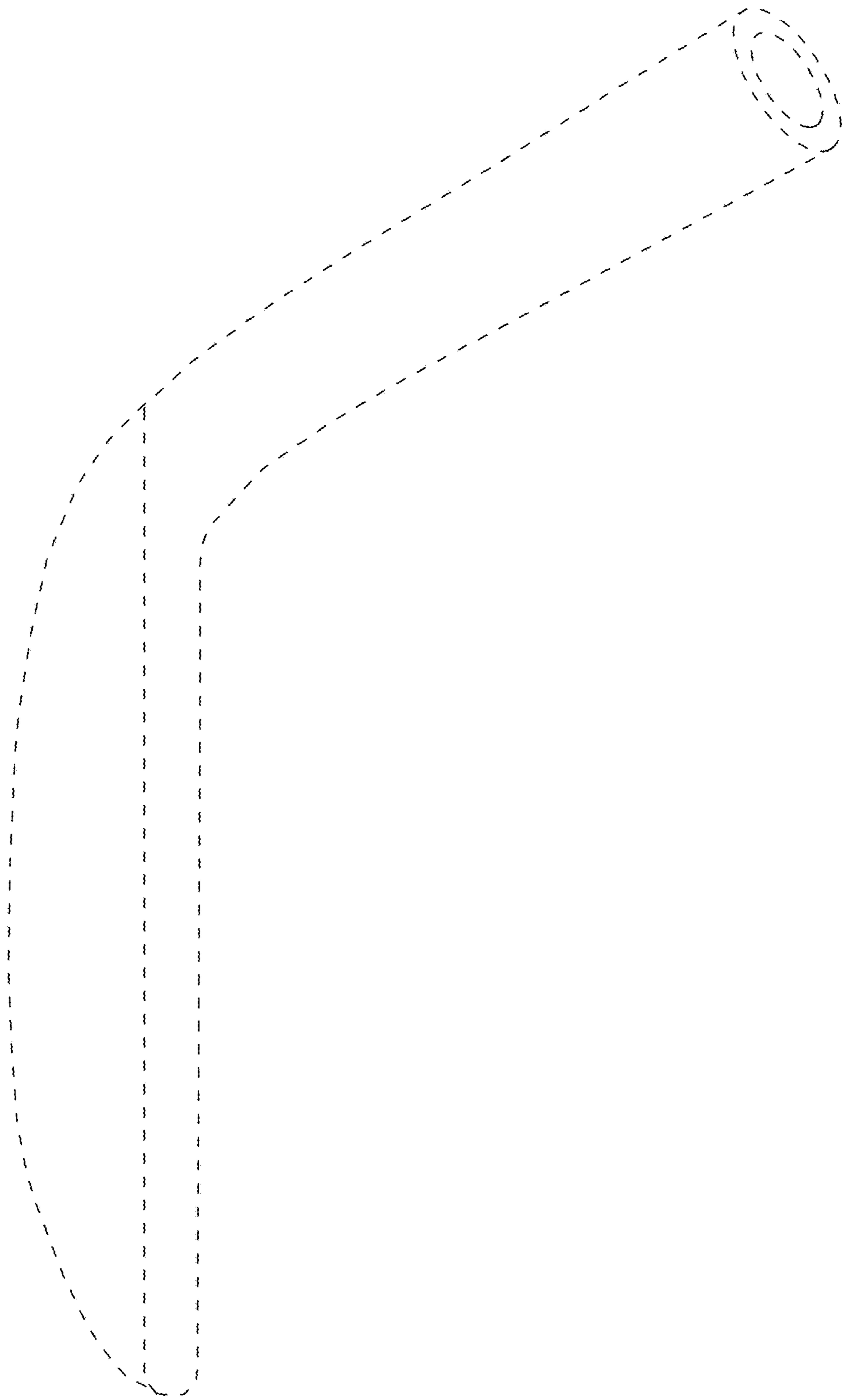


FIG. 5

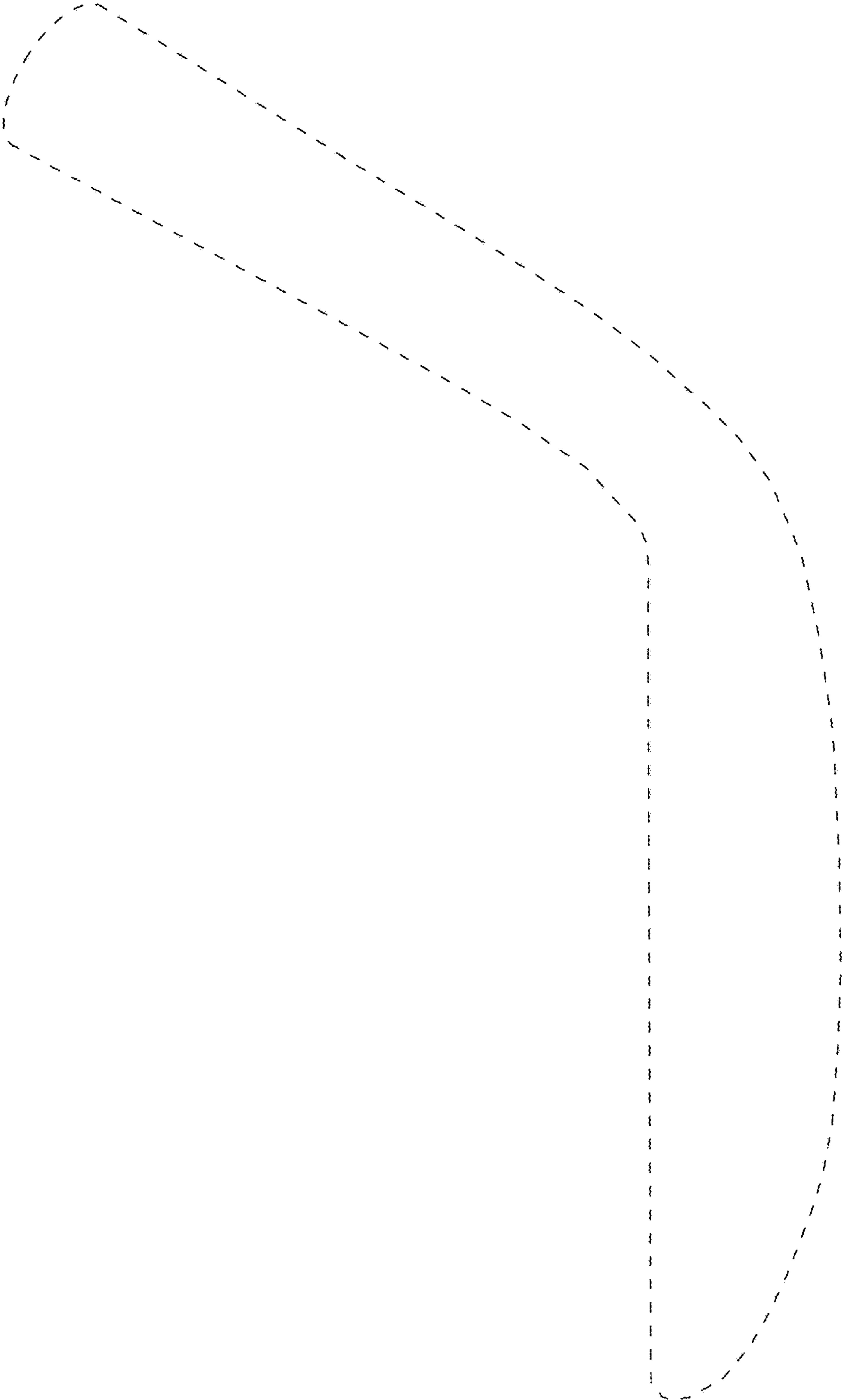


FIG. 6

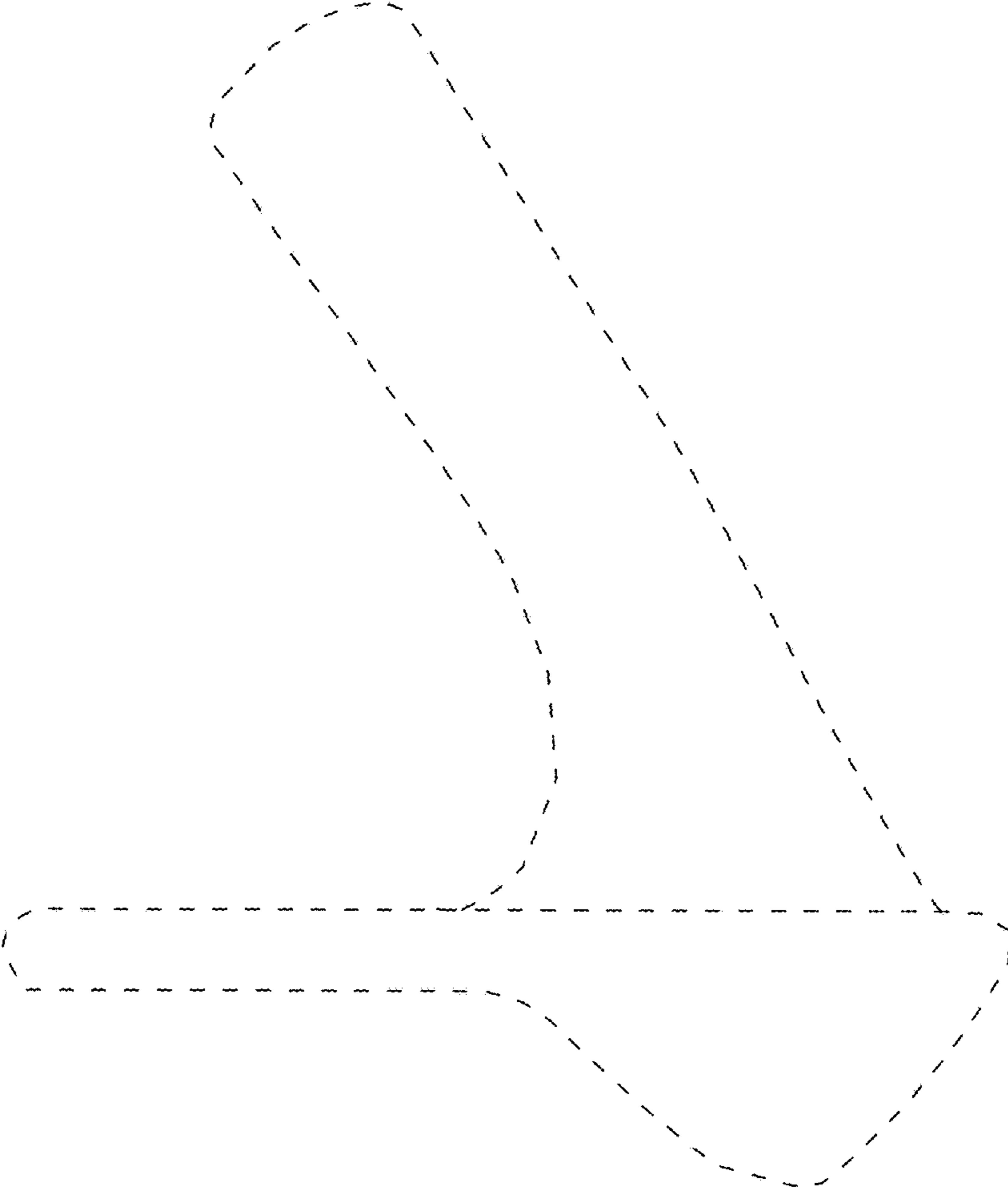


FIG. 7



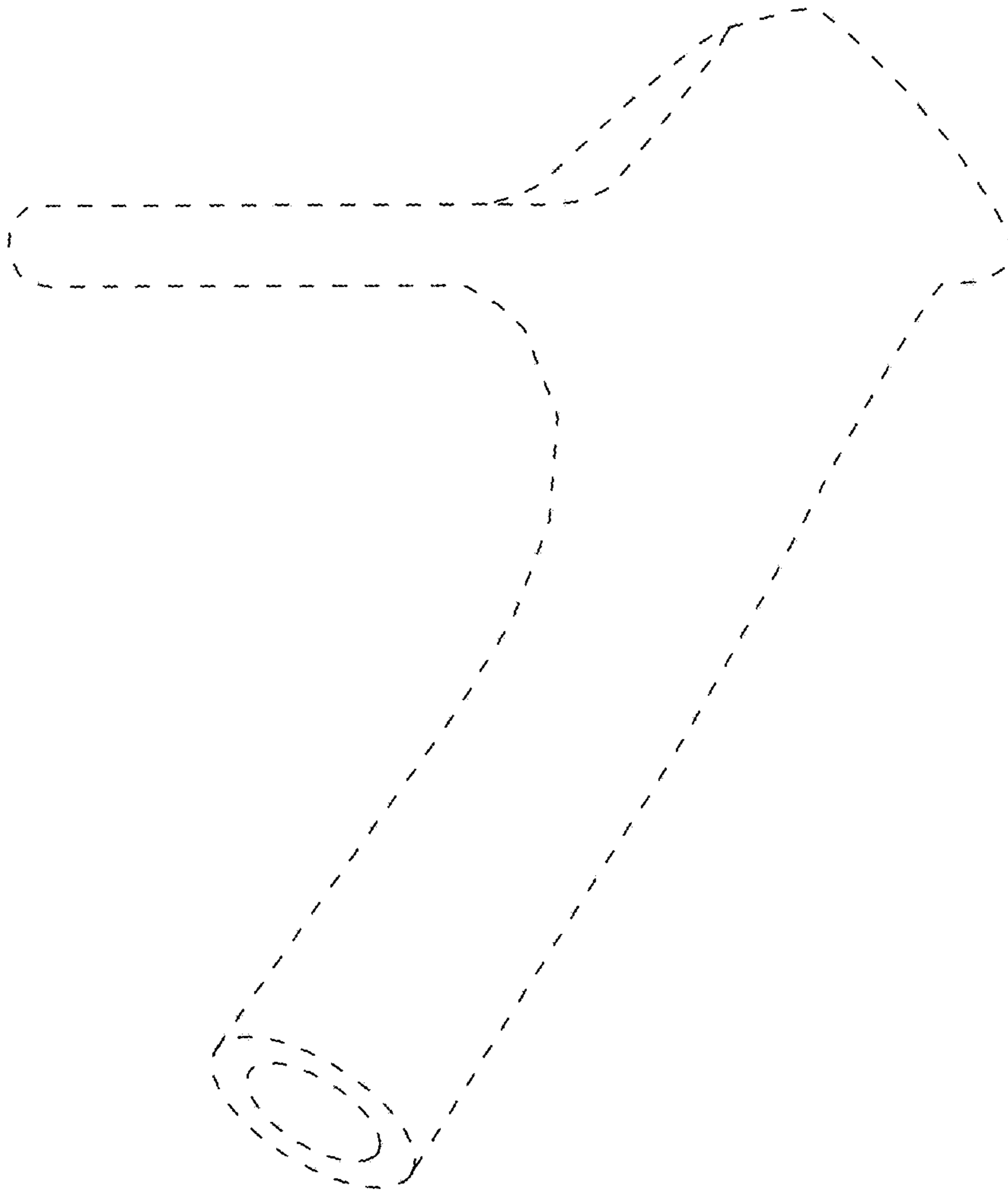


FIG. 8

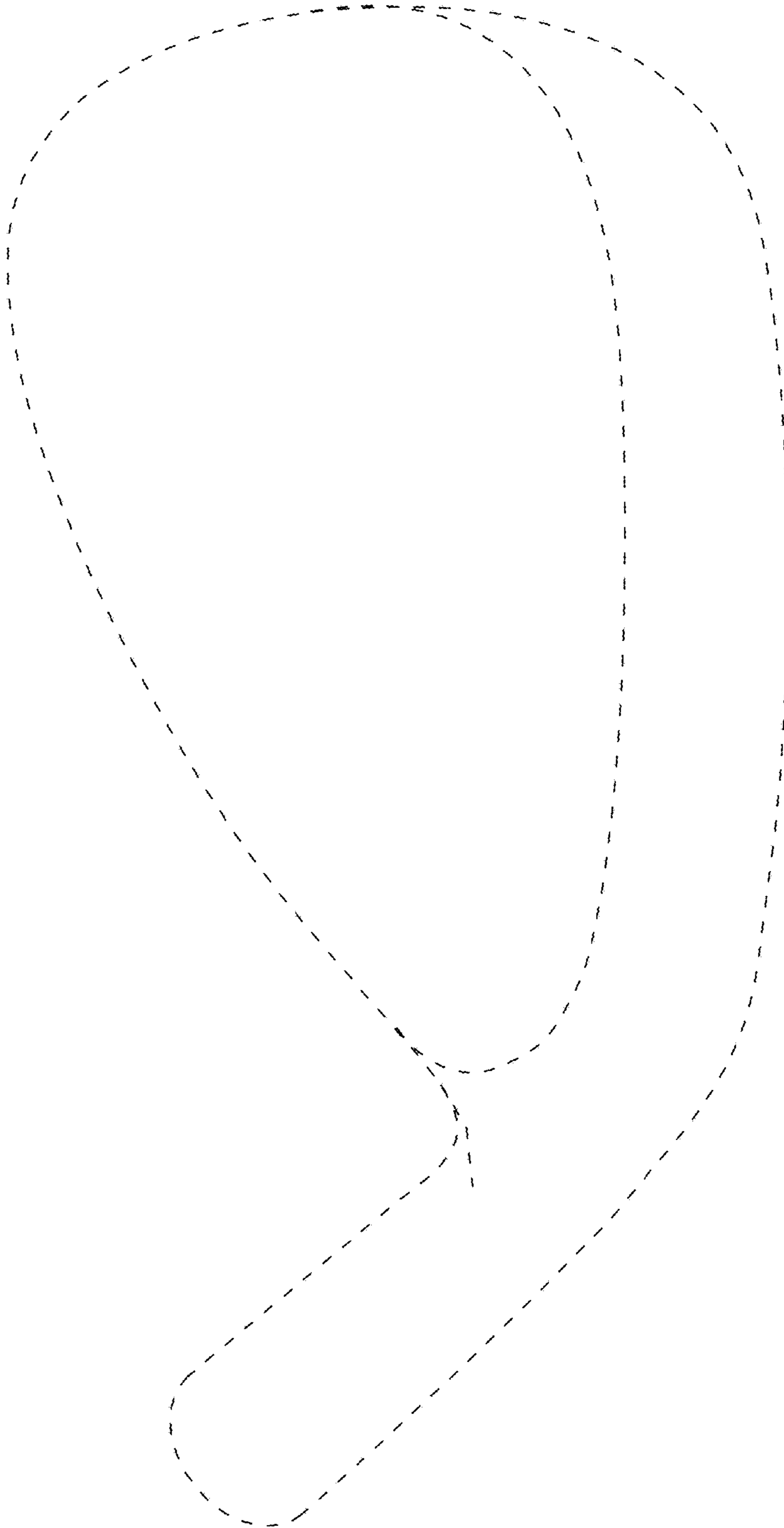


FIG. 9