



US00D820367S

(12) **United States Design Patent**
Nielson et al.

(10) **Patent No.:** **US D820,367 S**
(45) **Date of Patent:** **** Jun. 12, 2018**

(54) **GOLF CLUB HEAD**

(74) *Attorney, Agent, or Firm* — Klarquist Sparkman LLP

(71) Applicant: **Taylor Made Golf Company, Inc.**,
Carlsbad, CA (US)

(57) **CLAIM**

(72) Inventors: **Joseph Reeve Nielson**, Vista, CA (US);
Christian Reber Wester, San Diego,
CA (US); **Craig Richard Slyfield**, San
Diego, CA (US); **Rachel Elizabeth
Gardner**, Vista, CA (US); **Brian
Bazzel**, Carlsbad, CA (US); **Robert
Nunez**, Vista, CA (US)

We claim the ornamental design for a golf club head, as shown and described.

(73) Assignee: **Taylor Made Golf Company, Inc.**,
Carlsbad, CA (US)

DESCRIPTION

(**) Term: **15 Years**

FIG. 1 is a perspective view of a golf club head, as viewed from the front, above and one side according to one embodiment of the ornamental design.

(21) Appl. No.: **29/577,152**

FIG. 2 is a front elevation view of the golf club head of FIG. 1.

(22) Filed: **Sep. 9, 2016**

FIG. 3 is a rear elevation view of the golf club head of FIG. 1.

(51) **LOC (11) Cl.** **21-02**

FIG. 4 is a side elevation view of the toe of the golf club head of FIG. 1.

(52) **U.S. Cl.**

FIG. 5 is a side elevation view of the heel of the golf club head of FIG. 1.

USPC **D21/759**

FIG. 6 is a top plan view of the golf club head of FIG. 1.

(58) **Field of Classification Search**

USPC D21/736–752, 759

FIG. 7 is a bottom plan view of the golf club head of FIG. 1.

(Continued)

FIG. 8 is a perspective view of the golf club head as viewed from the front, above and one side according to an alternative environmental structure.

(56) **References Cited**

FIG. 9 is a front elevation view of the golf club head of FIG. 8.

U.S. PATENT DOCUMENTS

D187,401 S * 3/1960 Whittle D21/733

D200,416 S * 2/1965 Leeah D21/745

(Continued)

FIG. 10 is a rear elevation view of the golf club head of FIG. 8.

OTHER PUBLICATIONS

“Cobra BiO CELL + Driver,” downloaded from <http://www.golfsmith.com/product/30101039/cobra-bio-cell-driver>, 1 page (document not dated, downloaded on May 12, 2015).

FIG. 11 is a side elevation view of the toe of the golf club head of FIG. 8.

FIG. 12 is a side elevation view of the heel of the golf club head of FIG. 8.

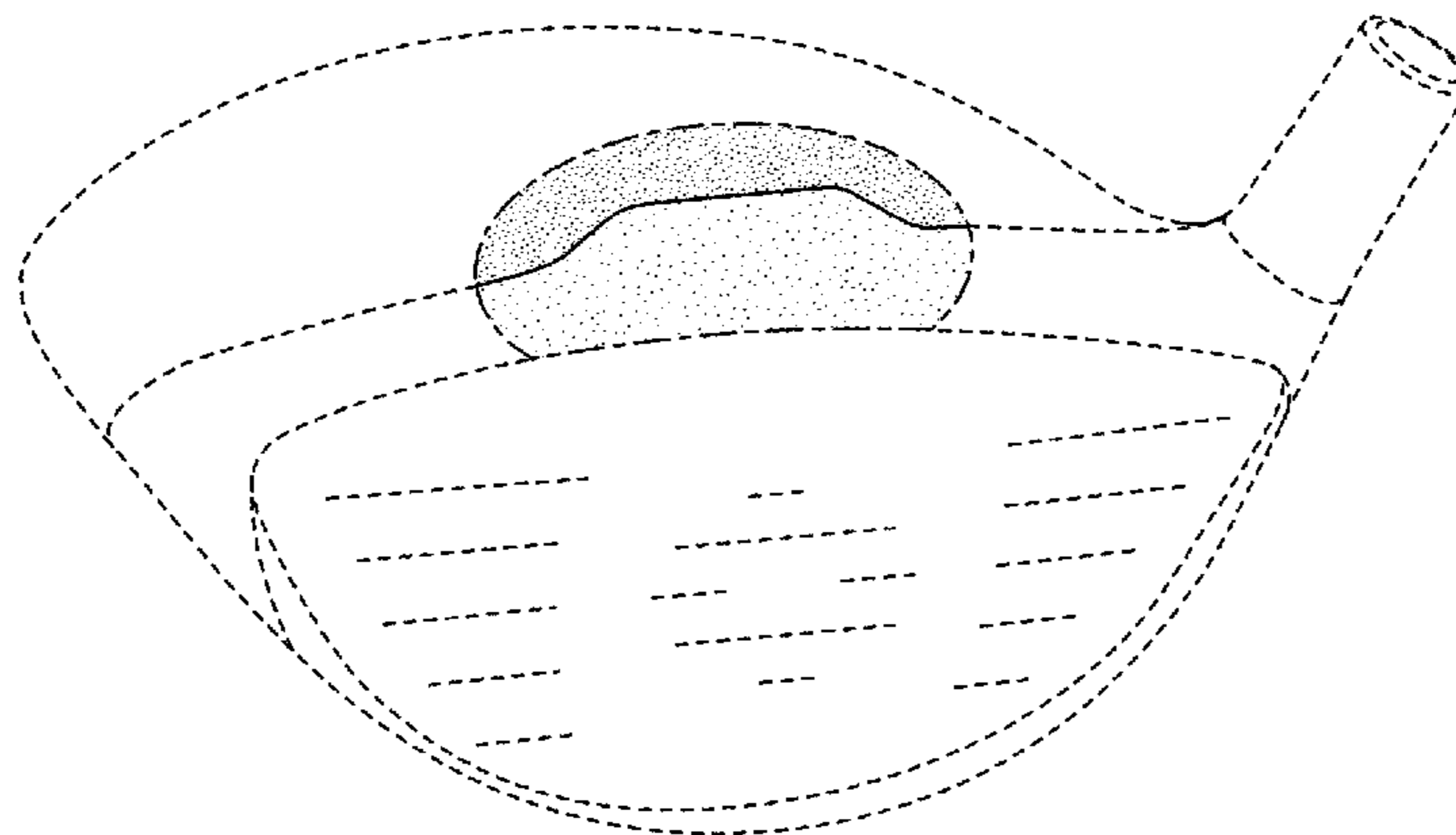
FIG. 13 is a top plan view of the golf club head of FIG. 8; and,

FIG. 14 is a bottom plan view of the golf club head of FIG. 8.

The broken line showing is included for the purpose or illustrating and forms no part of the claimed design. The dash-dot lines are included as boundary lines and form no

Primary Examiner — Mitchell I. Siegel

(Continued)



part of the claimed design. A portion of the crown are stippled heavier and lighter to illustrate contrasting surfaces of different color.

1 Claim, 10 Drawing Sheets

(58) Field of Classification Search

CPC A63B 53/00; A63B 53/04; A63B 53/0466;
A63B 2053/002; A63B 2053/0445; A63B
2053/0433; A63B 2053/0491; A63B
2053/0437

See application file for complete search history.

(56) References Cited

U.S. PATENT DOCUMENTS

D256,709 S *	9/1980	Reid, Jr.	D21/752
D268,357 S *	3/1983	Mader	D21/733
D453,365 S *	2/2002	Carr	D21/752
D496,084 S *	9/2004	Imamoto	D21/759
D497,964 S *	11/2004	Kusumoto	D21/759
D502,520 S *	3/2005	Dogan	D21/759
D524,399 S *	7/2006	Madore	D21/759
D532,858 S *	11/2006	Rice	D21/759
D544,560 S *	6/2007	Oldknow	D21/759
D553,206 S *	10/2007	Morales	D21/733
D557,362 S *	12/2007	Serrano	D21/752
D561,286 S *	2/2008	Morales	D21/759
D577,405 S *	9/2008	Oldknow	D21/759
D584,782 S *	1/2009	Barez	D21/759
D584,783 S *	1/2009	Barez	D21/759
D584,784 S *	1/2009	Barez	D21/759
7,682,262 B2 *	3/2010	Soracco	A63B 53/0466 473/329

D627,408 S	11/2010	Lindsay	
D643,079 S	8/2011	Lindsay	
D643,892 S *	8/2011	McGrorty	D21/735
D652,464 S *	1/2012	Bertone	D21/733
D662,560 S *	6/2012	Piniarski	D21/733
D664,222 S	7/2012	Lindsay	
8,348,780 B2 *	1/2013	Stites	A63B 53/0466 473/231
D697,152 S	1/2014	Harbert et al.	
D708,280 S	7/2014	Sargent et al.	
D709,570 S *	7/2014	Miraflor, III	D21/759
D709,571 S	7/2014	Sargent et al.	
D709,572 S	7/2014	Sargent et al.	
D710,467 S *	8/2014	Miraflor, III	D21/759
D711,992 S *	8/2014	Miraflor, III	D21/759
D711,993 S *	8/2014	Miraflor, III	D21/759
8,821,312 B2	9/2014	Burnett et al.	
8,827,831 B2	9/2014	Burnett et al.	
D714,869 S	10/2014	Turner et al.	
8,888,607 B2	11/2014	Harbert et al.	
D724,165 S	3/2015	Cardani et al.	
8,986,133 B2	3/2015	Bennett et al.	
9,089,747 B2	7/2015	Boyd et al.	
9,089,749 B2	7/2015	Burnett et al.	
9,168,428 B2	10/2015	Albertsen et al.	
9,220,953 B2	12/2015	Beach et al.	
D765,808 S *	9/2016	Cardani	D21/759
D766,391 S *	9/2016	Cardani	D21/759
D767,694 S *	9/2016	Nielson	D21/733
D772,996 S *	11/2016	Taylor	D21/759
D791,256 S *	7/2017	Nielson	D21/759
2007/0032313 A1 *	2/2007	Serrano	A63B 53/0466 473/349
2007/0049417 A1	3/2007	Shear	
2016/0059093 A1	3/2016	Nielson et al.	

* cited by examiner

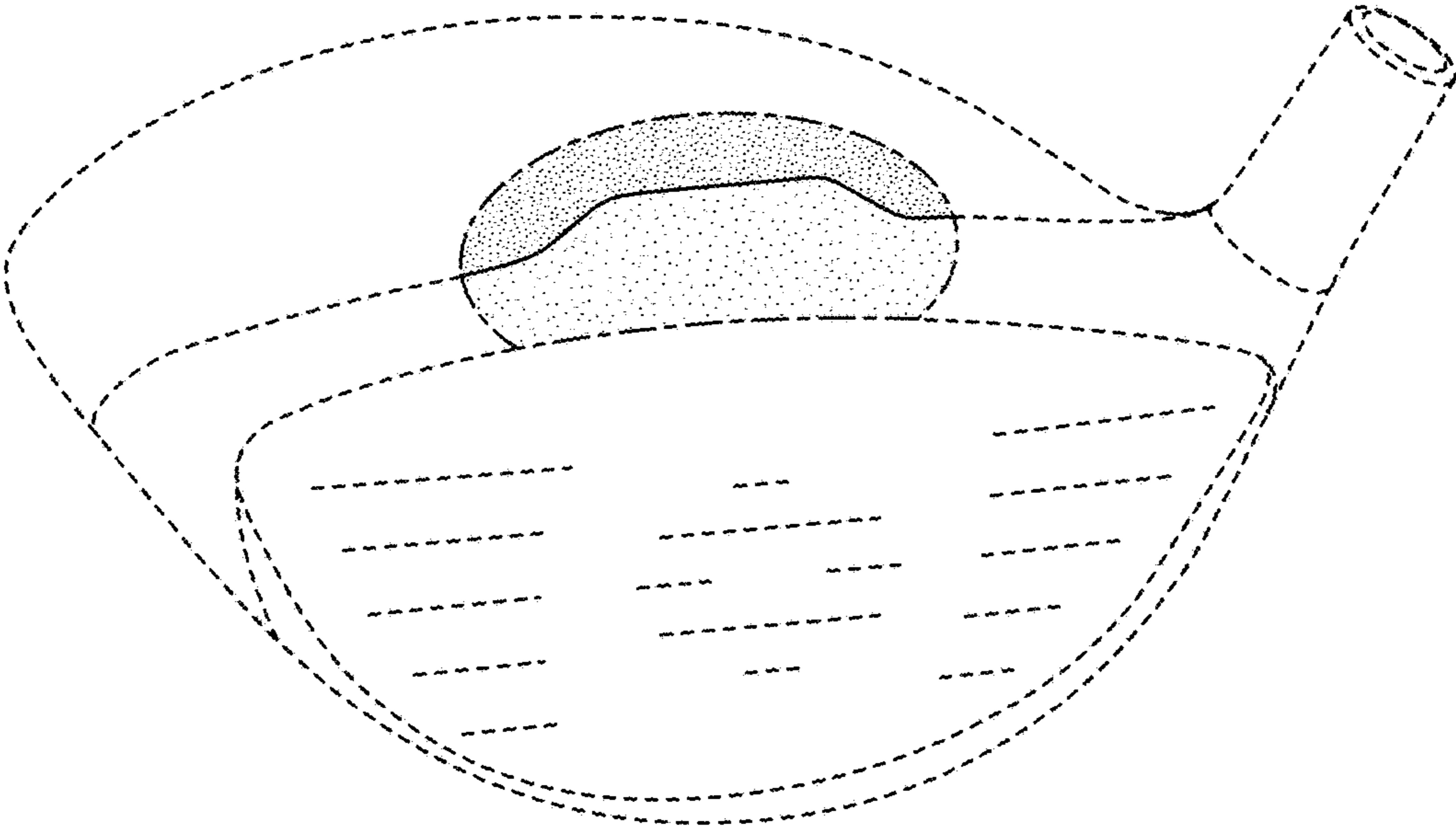


FIG. 1

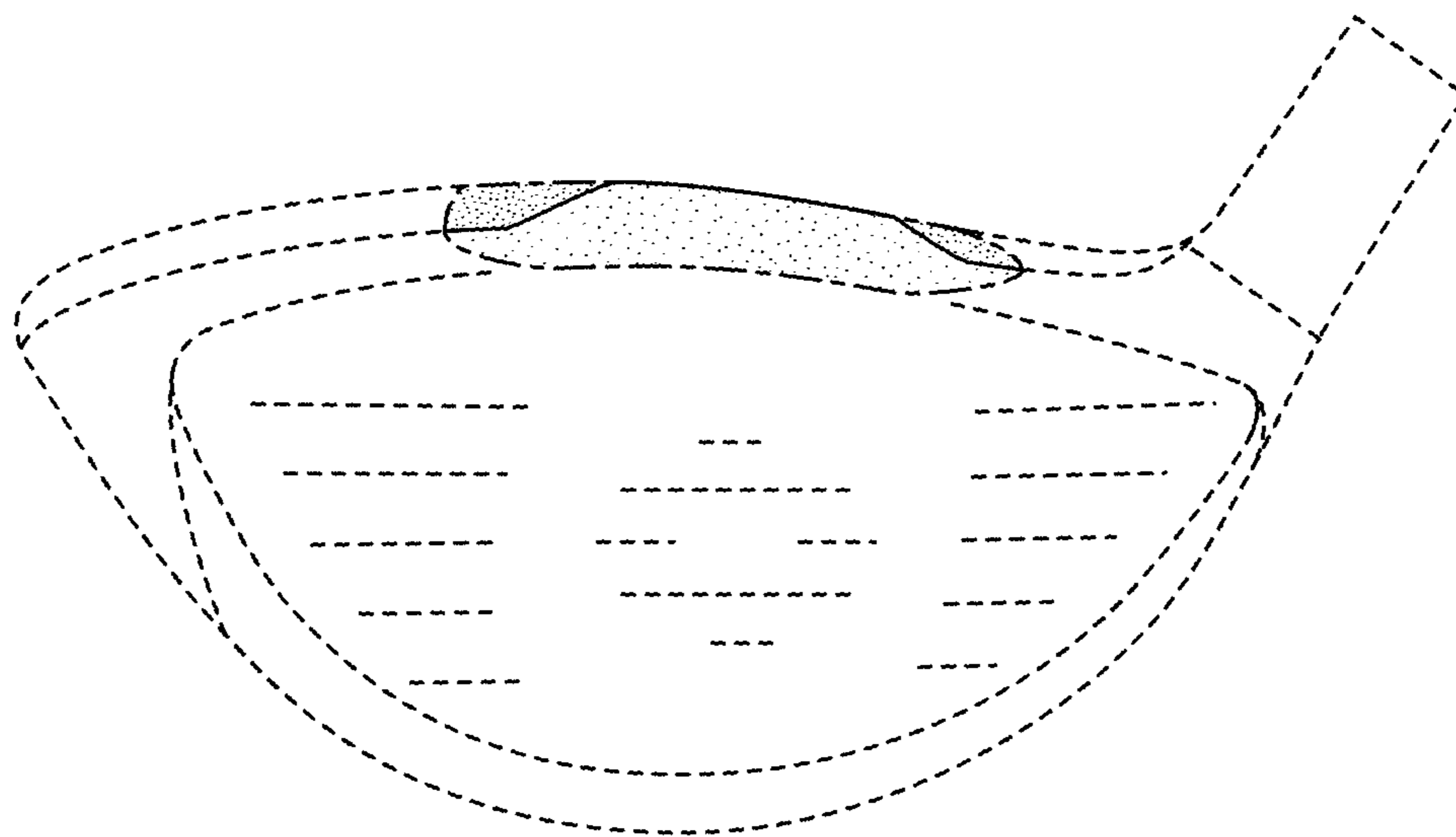


FIG. 2

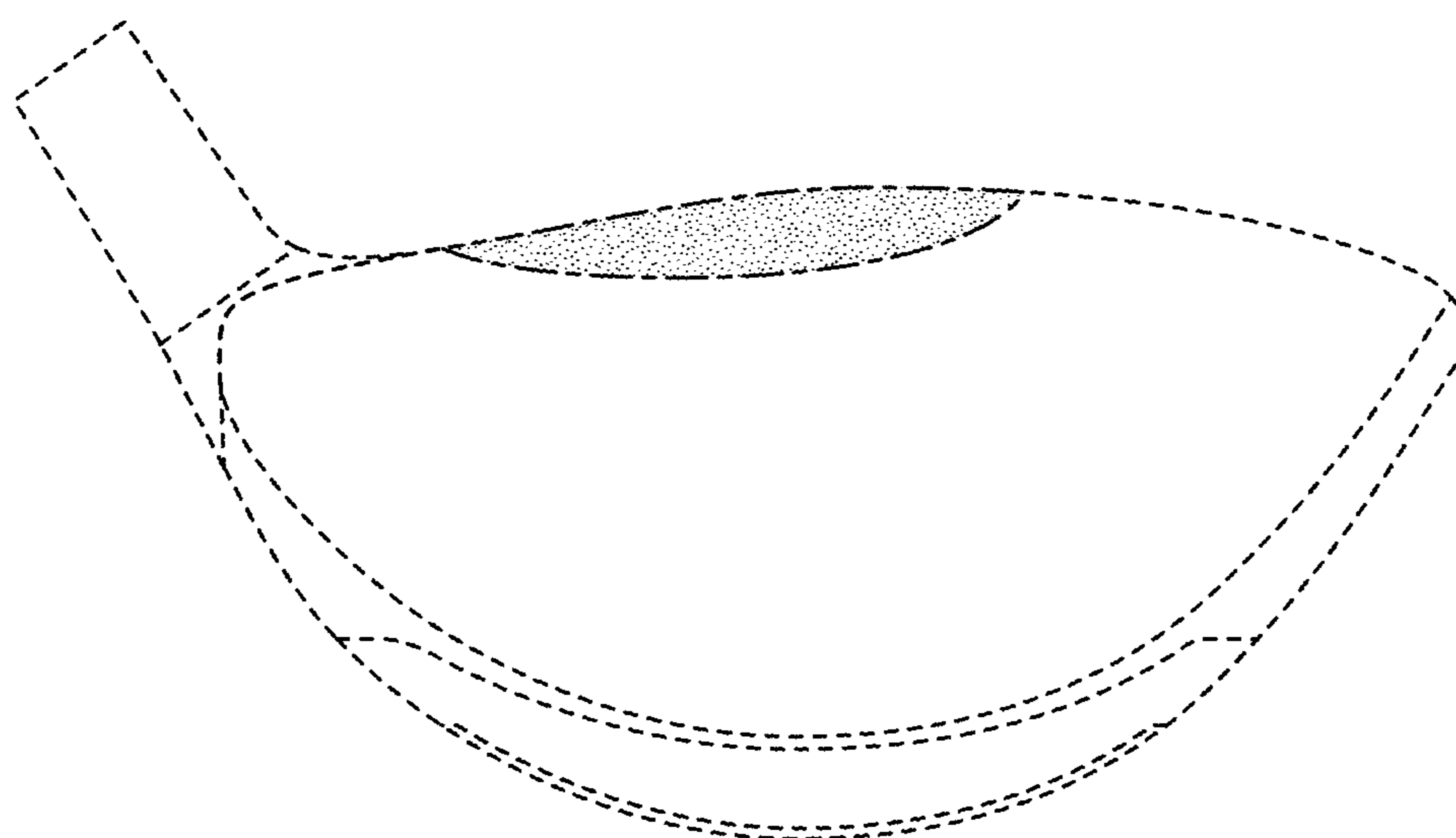


FIG. 3

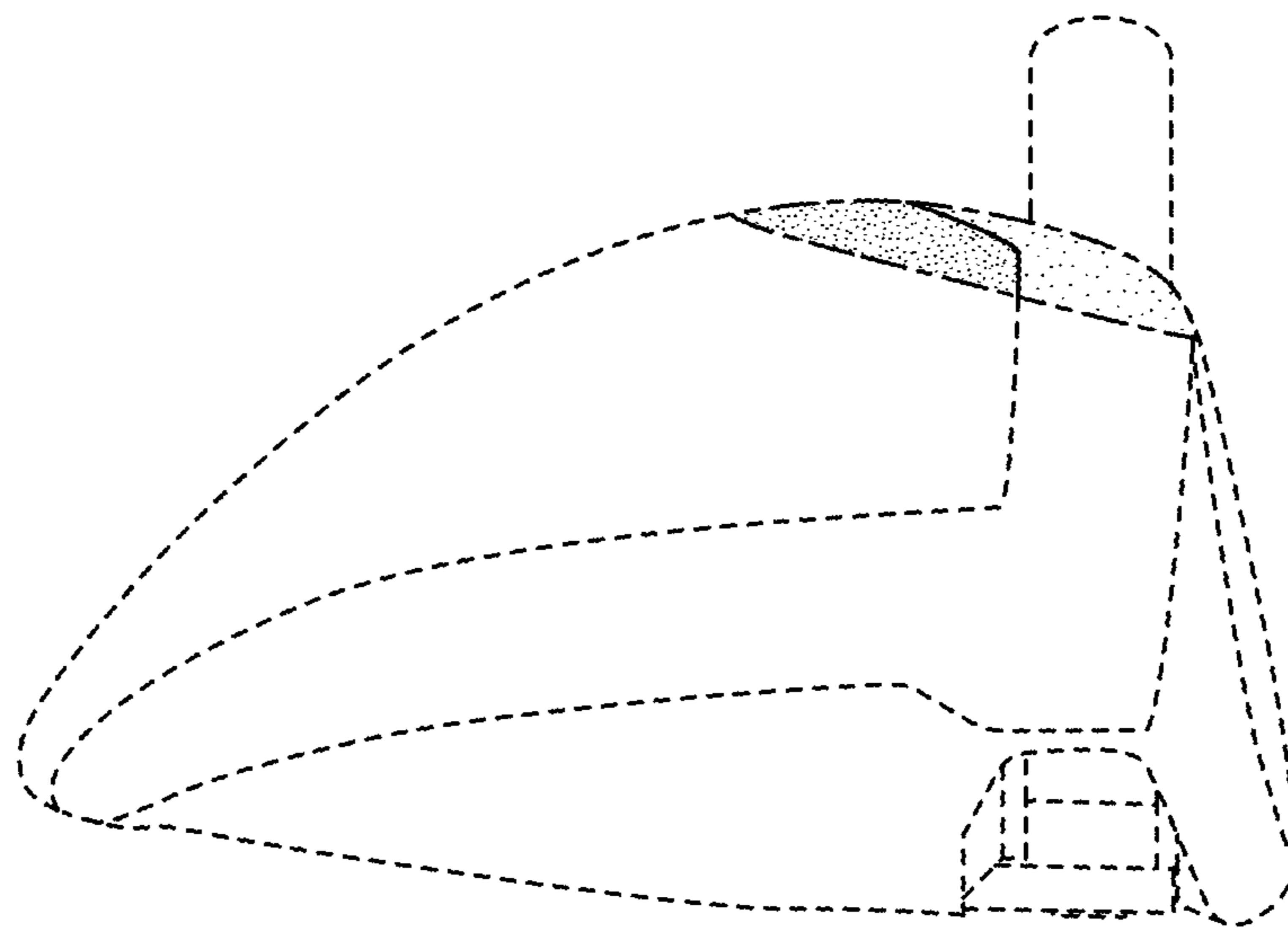


FIG. 4

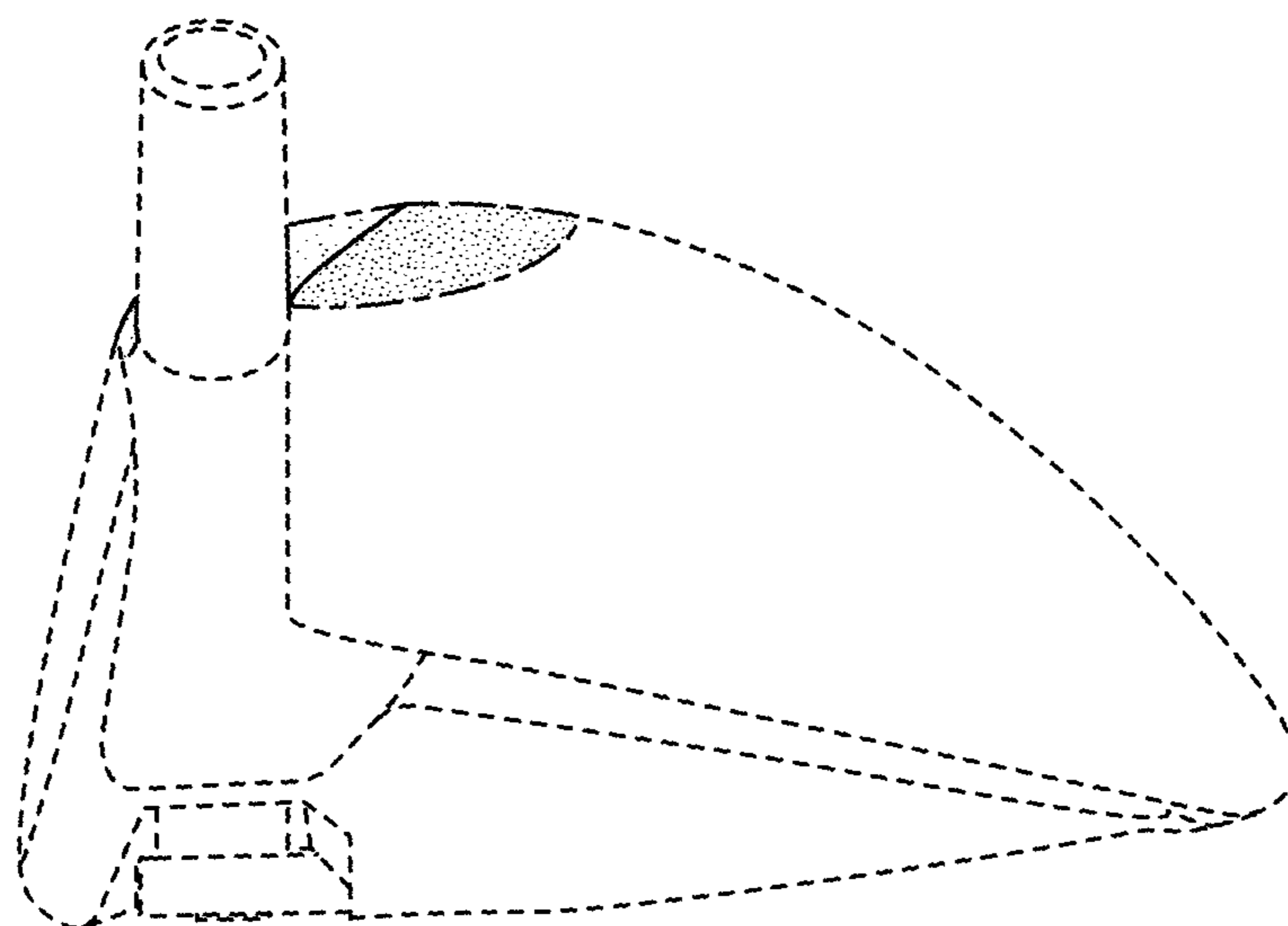


FIG. 5

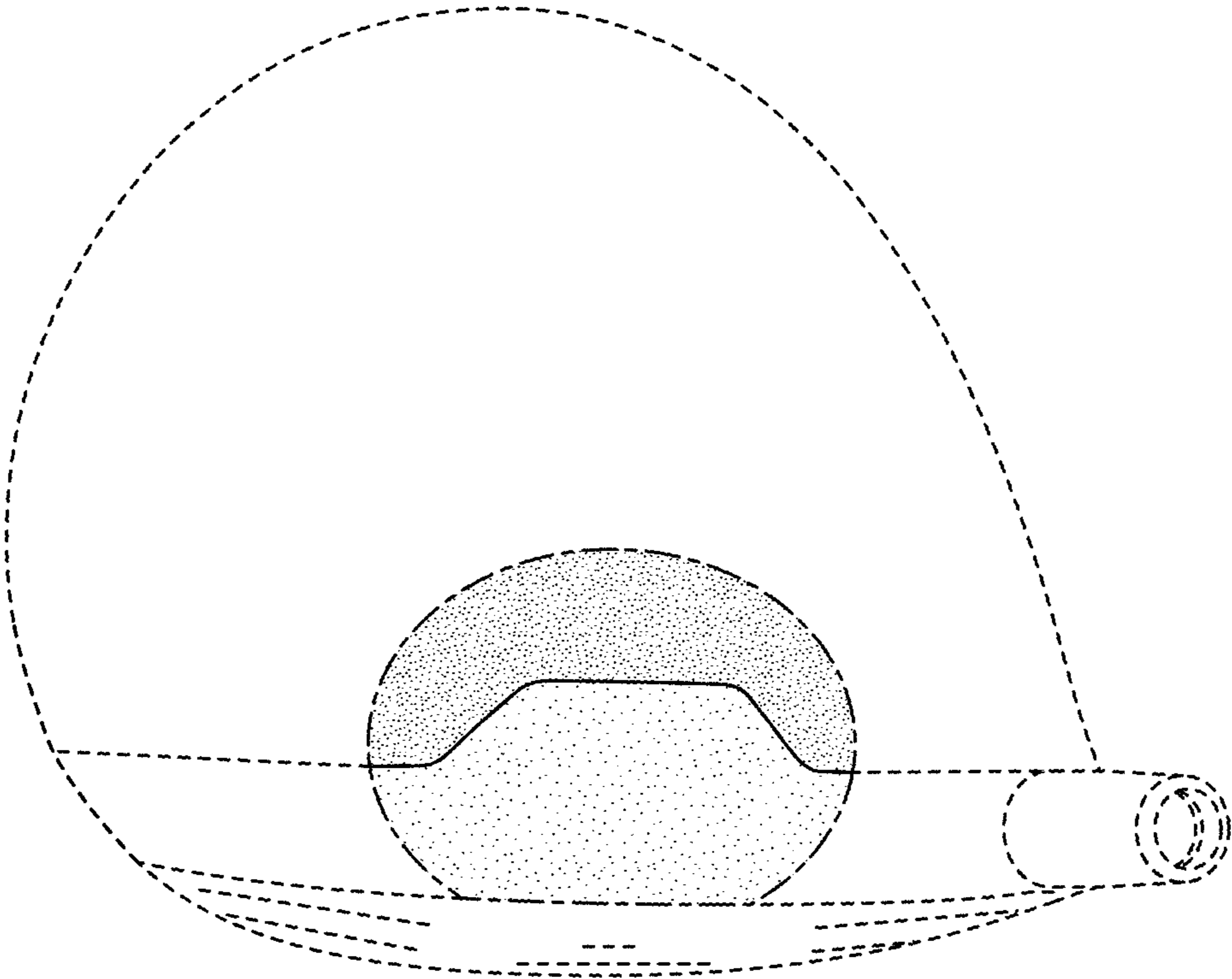


FIG. 6

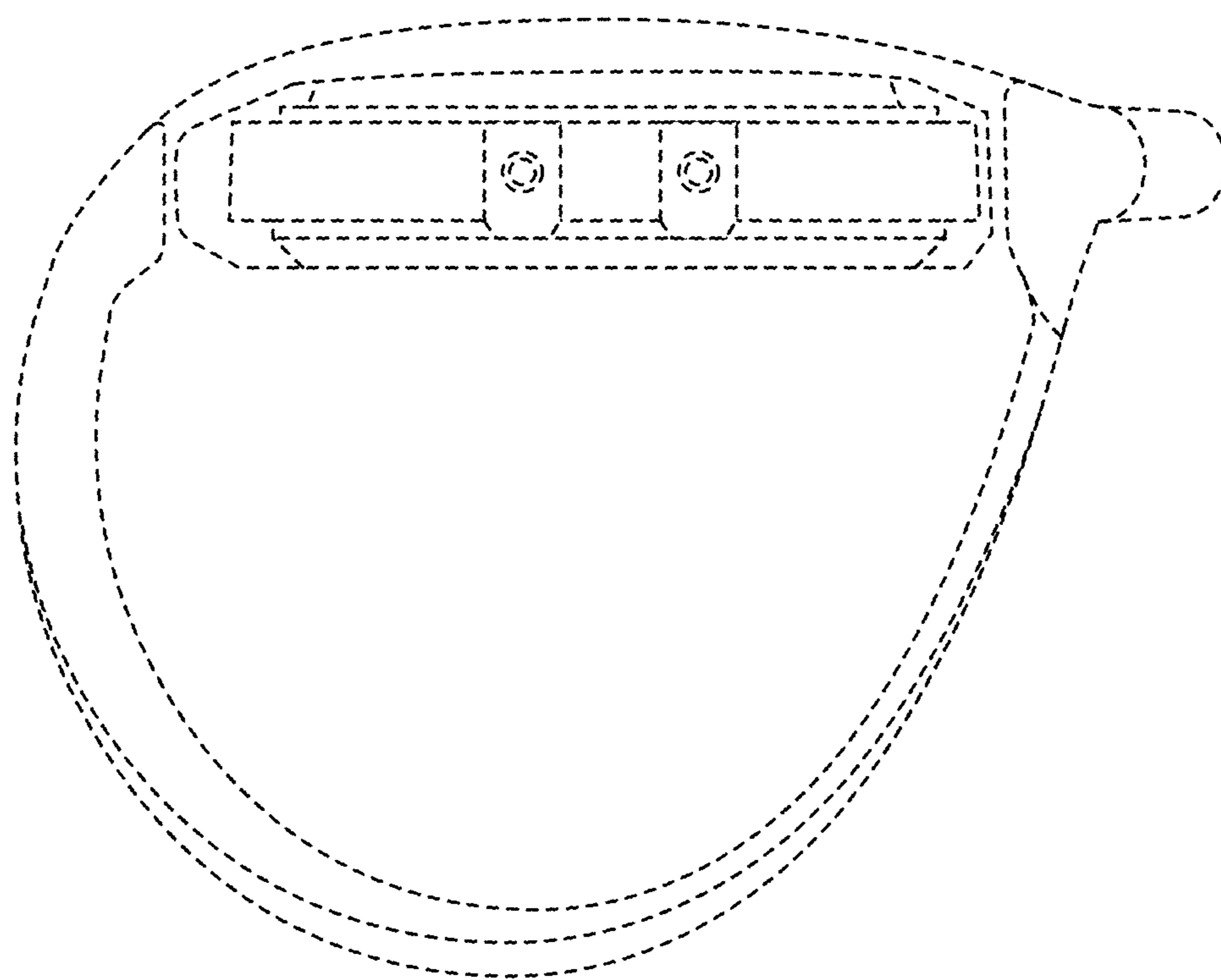


FIG. 7

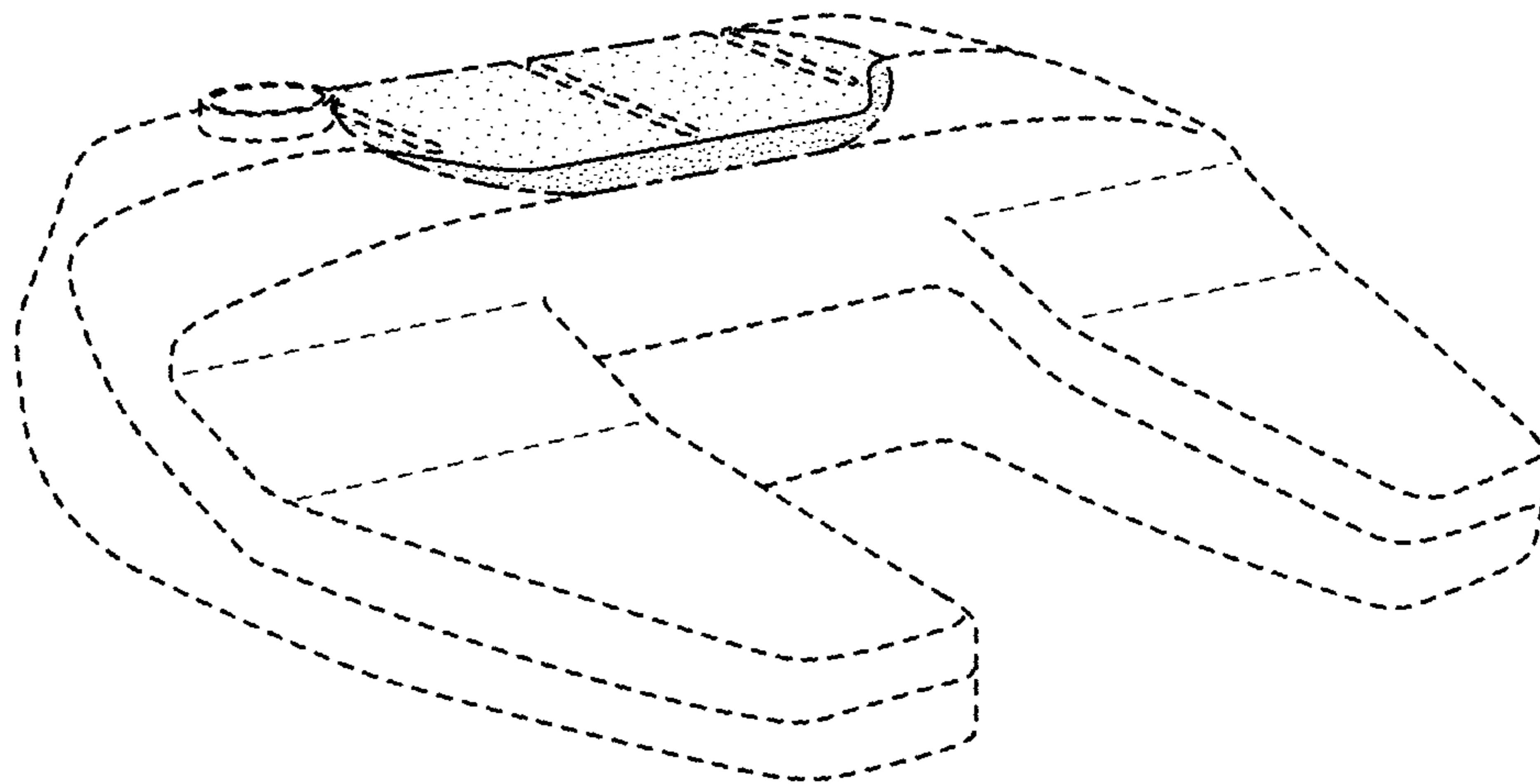


FIG. 8

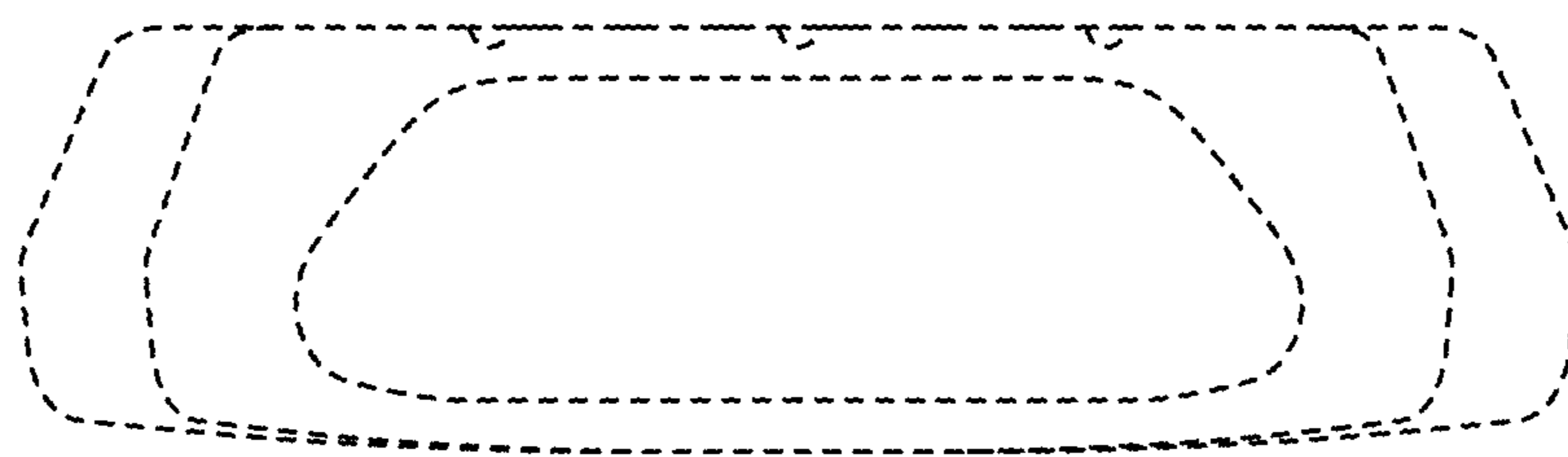


FIG. 9



FIG. 10

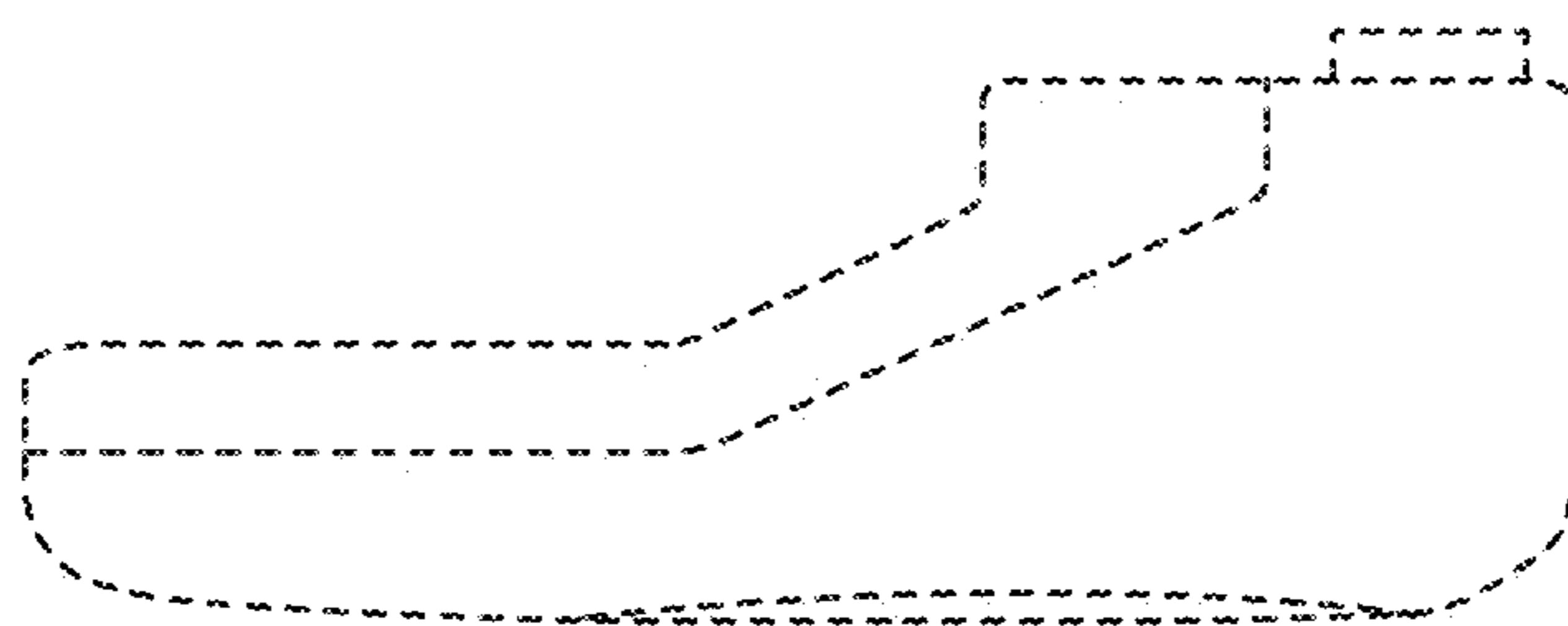


FIG. 11

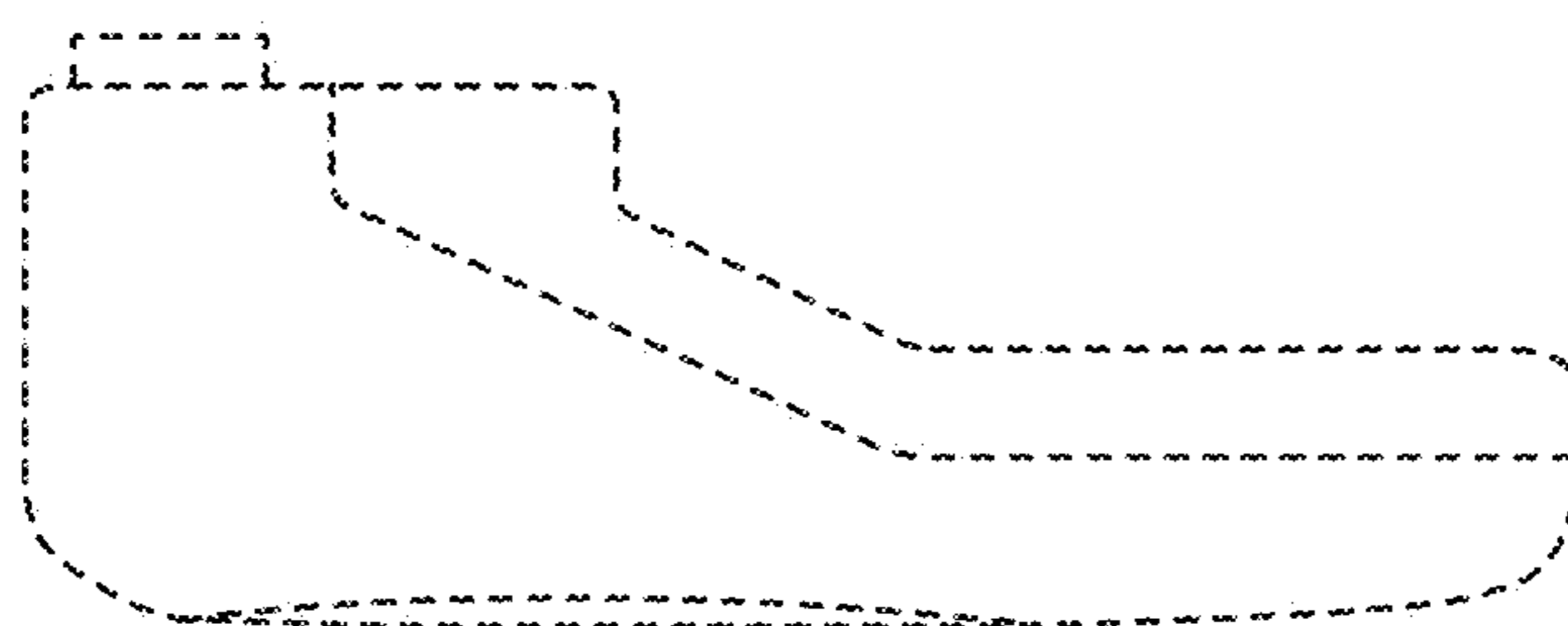


FIG. 12

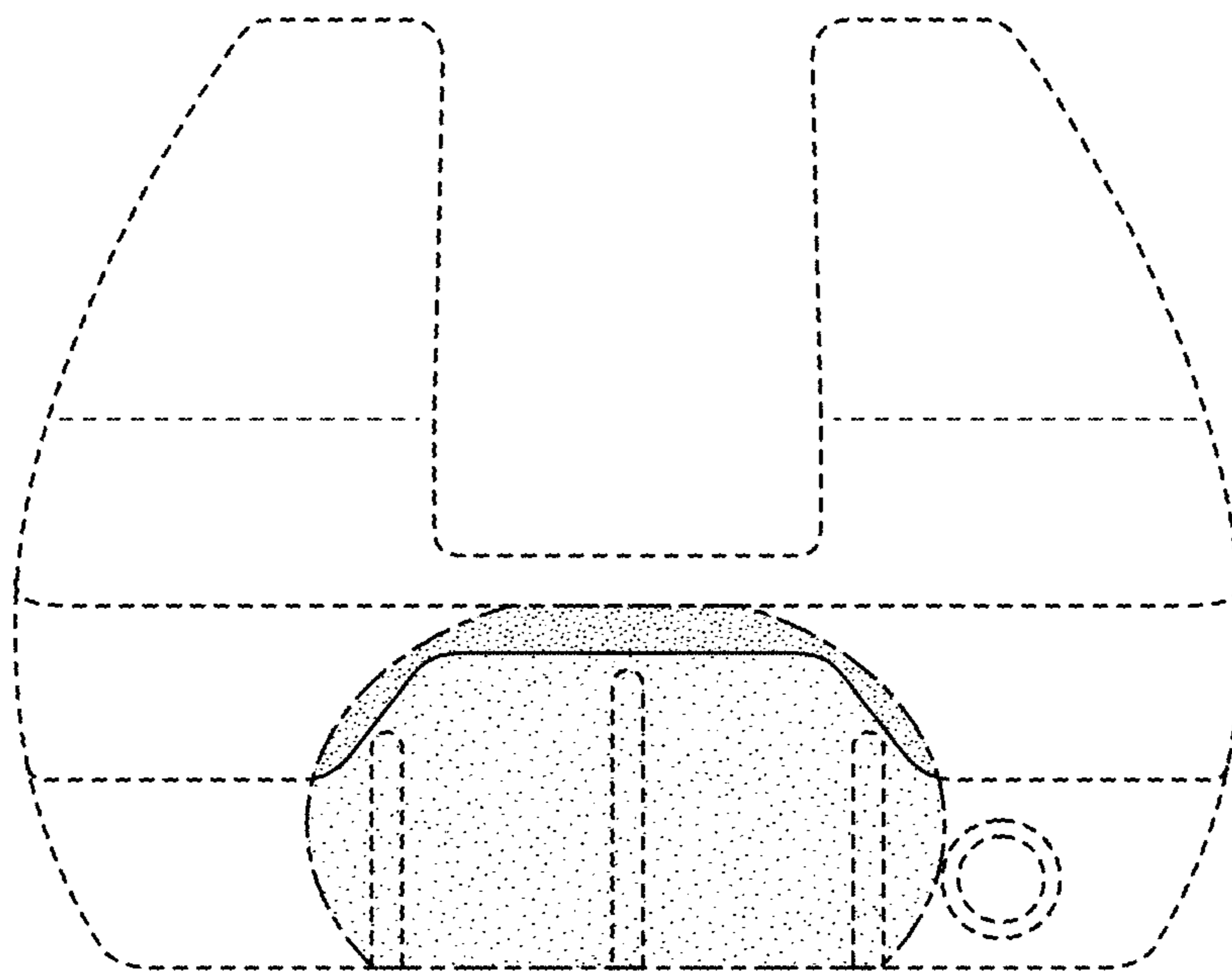


FIG. 13

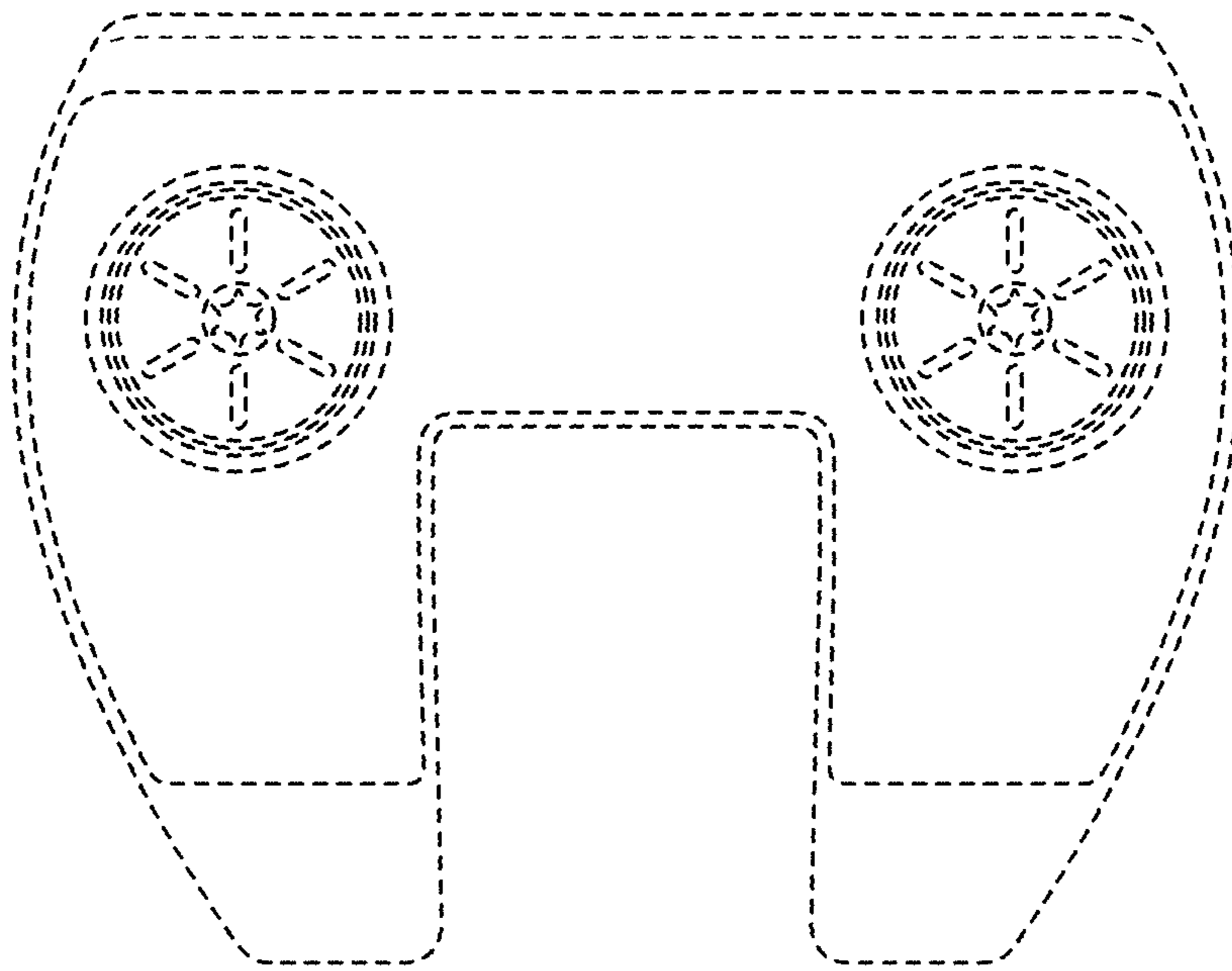


FIG. 14