



US00D820365S

(12) **United States Design Patent**
Cameron

(10) **Patent No.:** **US D820,365 S**
(45) **Date of Patent:** **** Jun. 12, 2018**

(54) **GOLF CLUB HEAD**

D803,959 S * 11/2017 Rollinson D21/743

(71) Applicant: **Acushnet Company**, Fairhaven, MA
(US)

* cited by examiner

(72) Inventor: **Don T. Cameron**, Carlsbad, CA (US)

Primary Examiner — Mitchell I. Siegel

(73) Assignee: **Acushnet Company**, Fairhaven, MA
(US)

(74) *Attorney, Agent, or Firm* — Randy K. Chang

(**) Term: **15 Years**

(57) **CLAIM**

(21) Appl. No.: **29/595,700**

The ornamental design for golf club head, as shown and described.

(22) Filed: **Mar. 1, 2017**

(51) **LOC (11) Cl.** **21-02**

(52) **U.S. Cl.**
USPC **D21/743**

DESCRIPTION

(58) **Field of Classification Search**
USPC D21/736-746, 759
CPC A63B 53/00; A63B 53/04; A63B 53/007;
A63B 53/065; A63B 53/0487; A63B
60/00; A63B 60/46

FIG. 1 is a perspective top view of my new design for a golf club head;
FIG. 2 is a back view thereof;
FIG. 3 is a heel view thereof;
FIG. 4 is a toe view thereof;
FIG. 5 is a top view thereof;
FIG. 6 is a front view thereof; and,
FIG. 7 is a bottom sole view thereof.

See application file for complete search history.

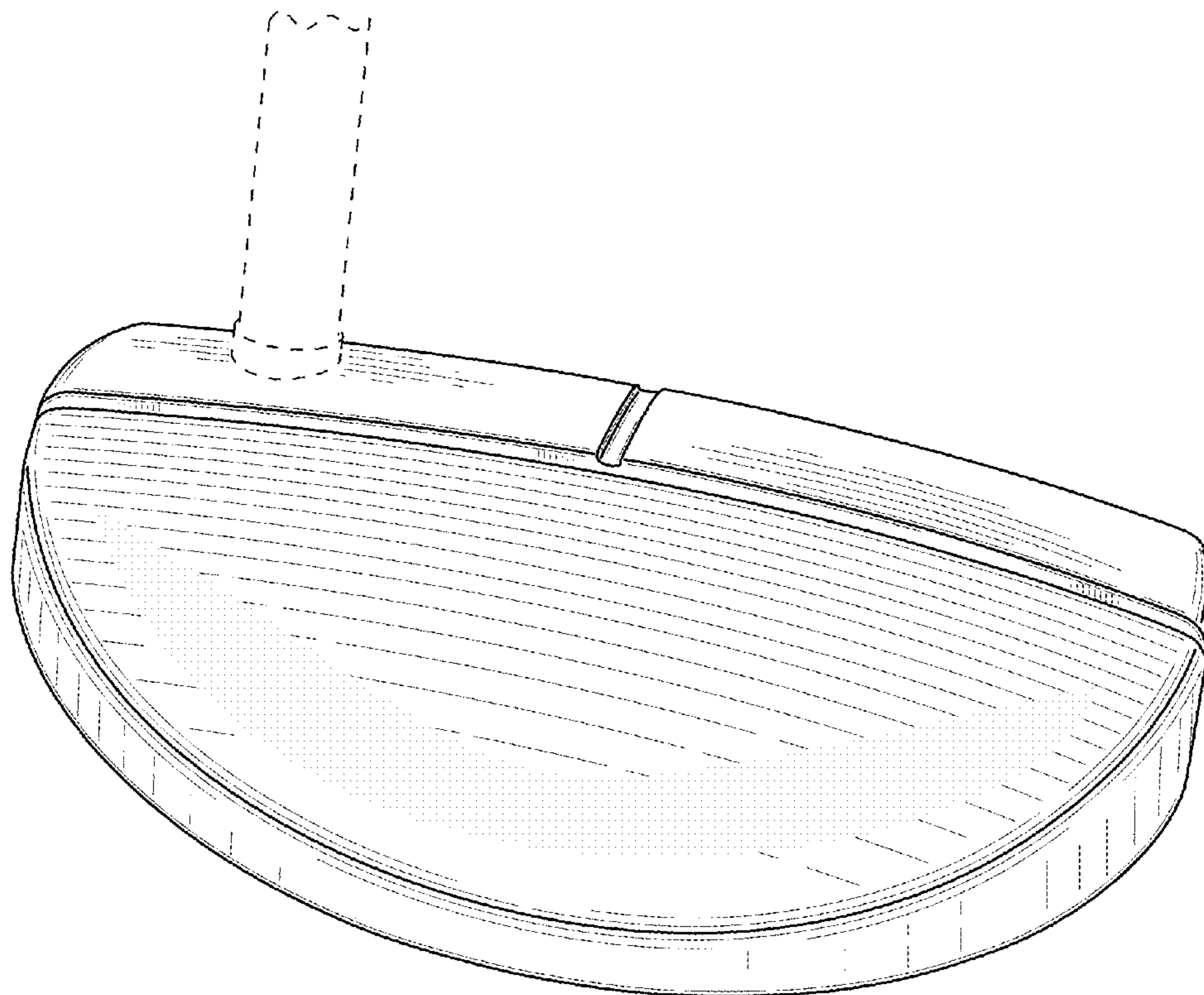
The broken line showing is included for the purpose of illustrating and forms no part of the claimed design.

(56) **References Cited**

U.S. PATENT DOCUMENTS

D299,044 S * 12/1988 Antonious D21/740
D537,493 S * 2/2007 Cameron D21/746
D796,598 S * 9/2017 Serrano D21/736

1 Claim, 4 Drawing Sheets



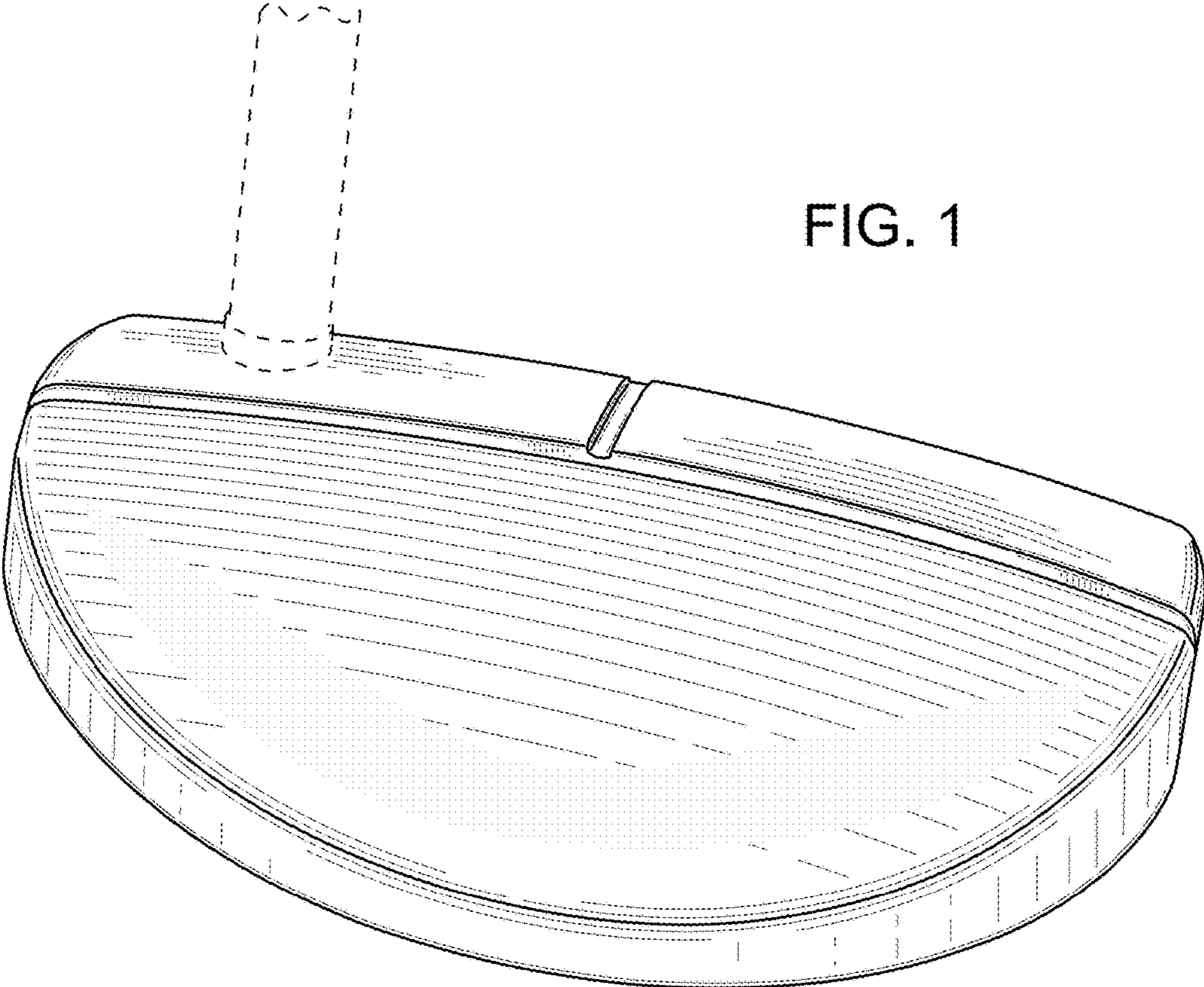


FIG. 1

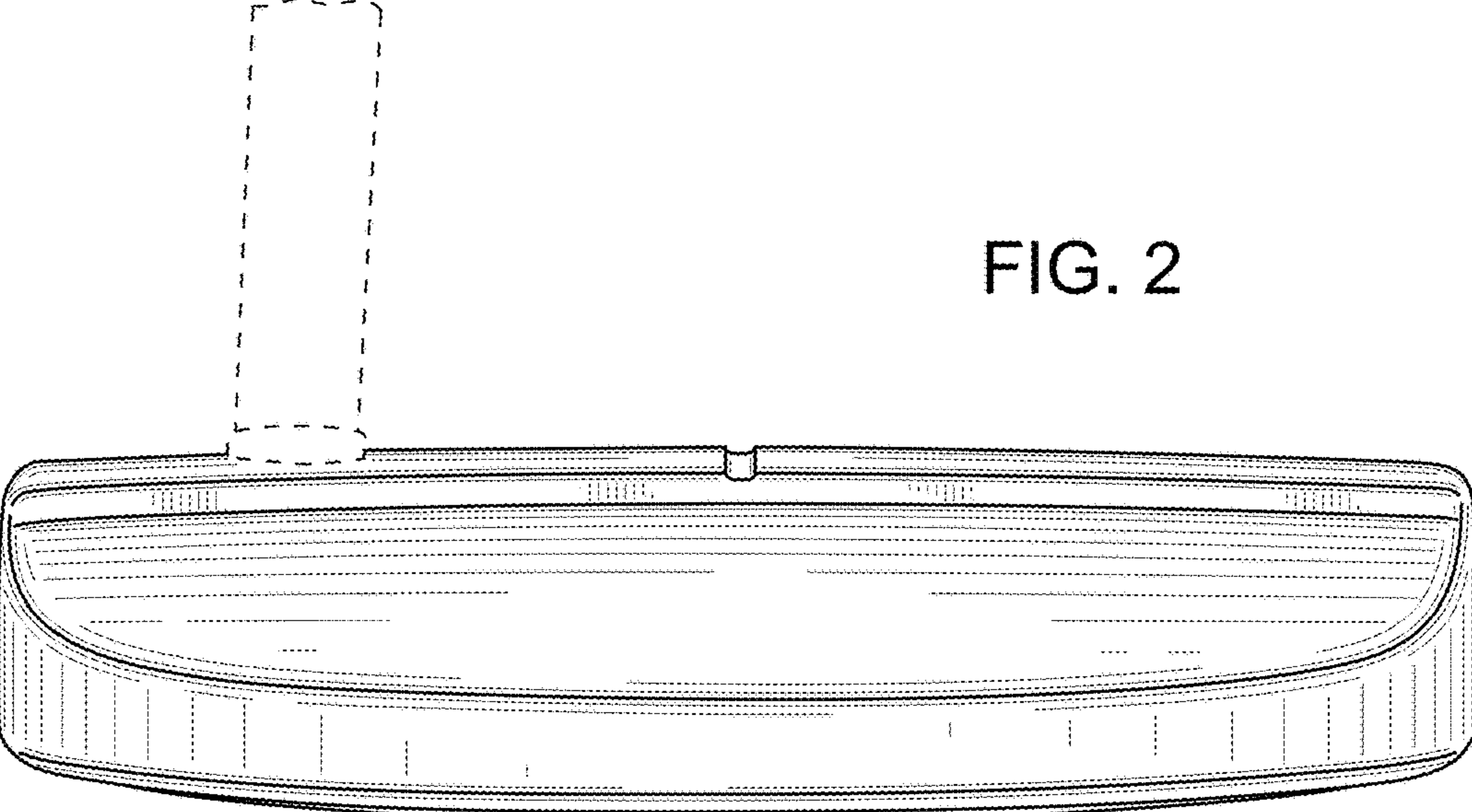


FIG. 2

FIG. 3

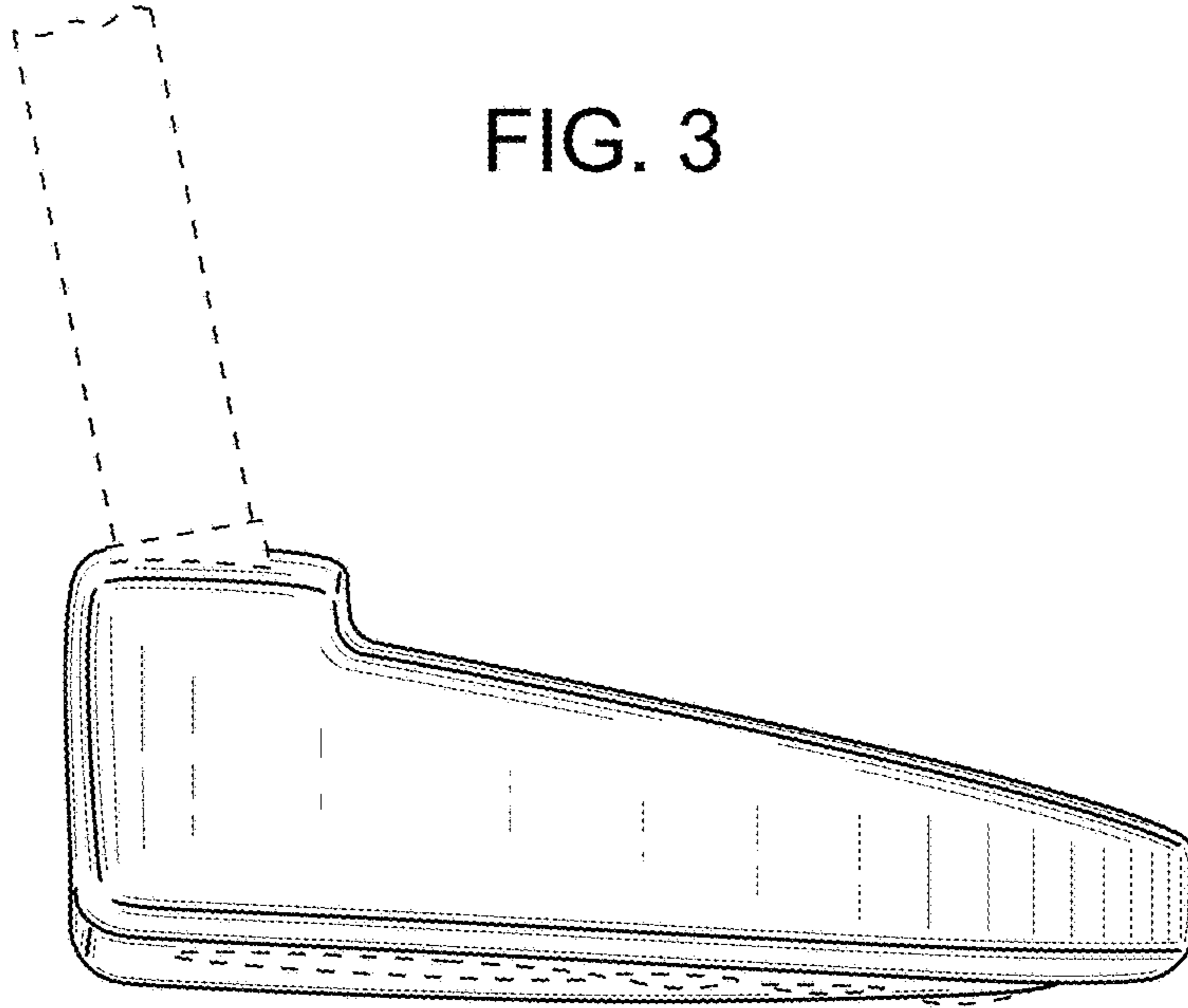


FIG. 4

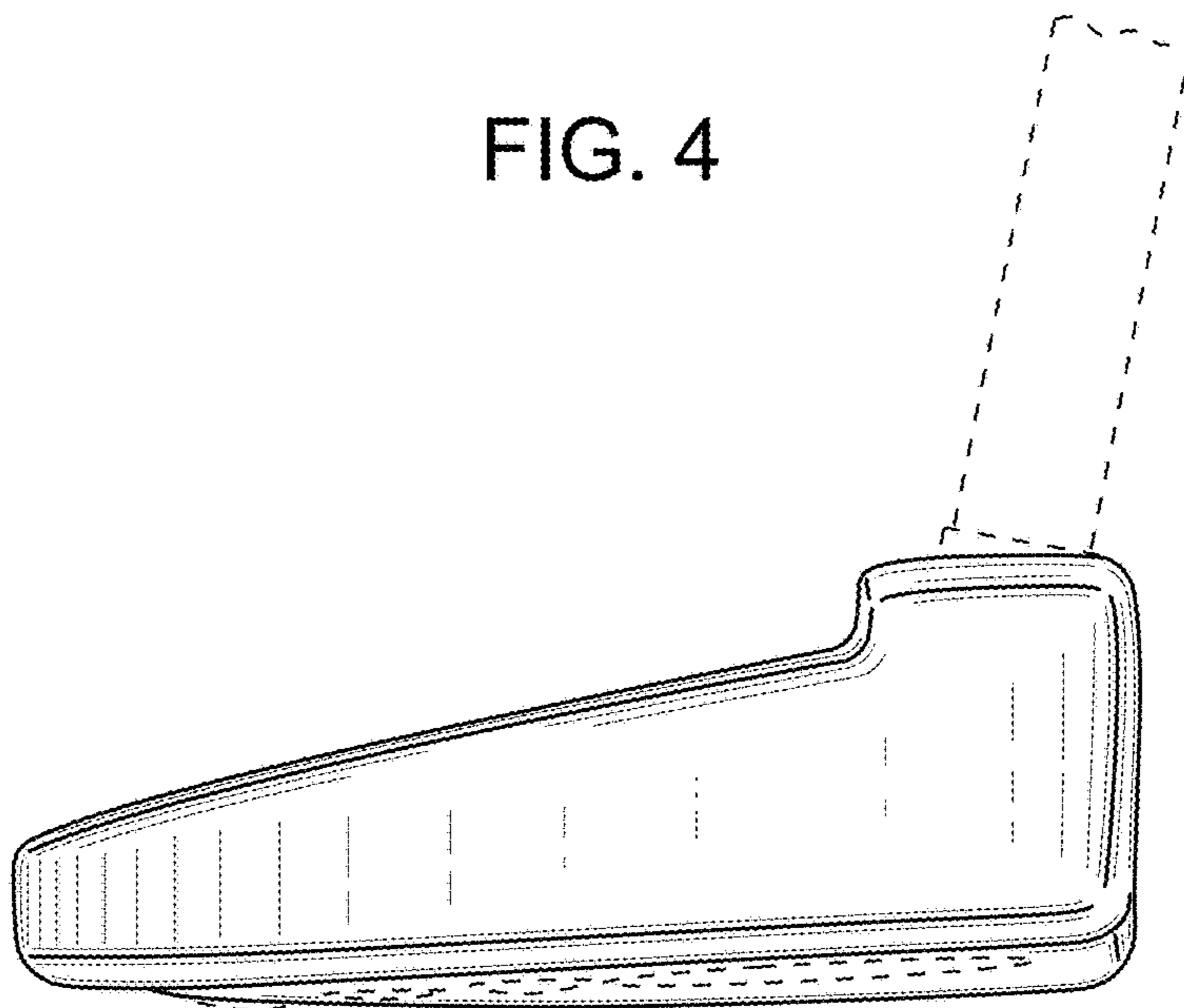


FIG. 5

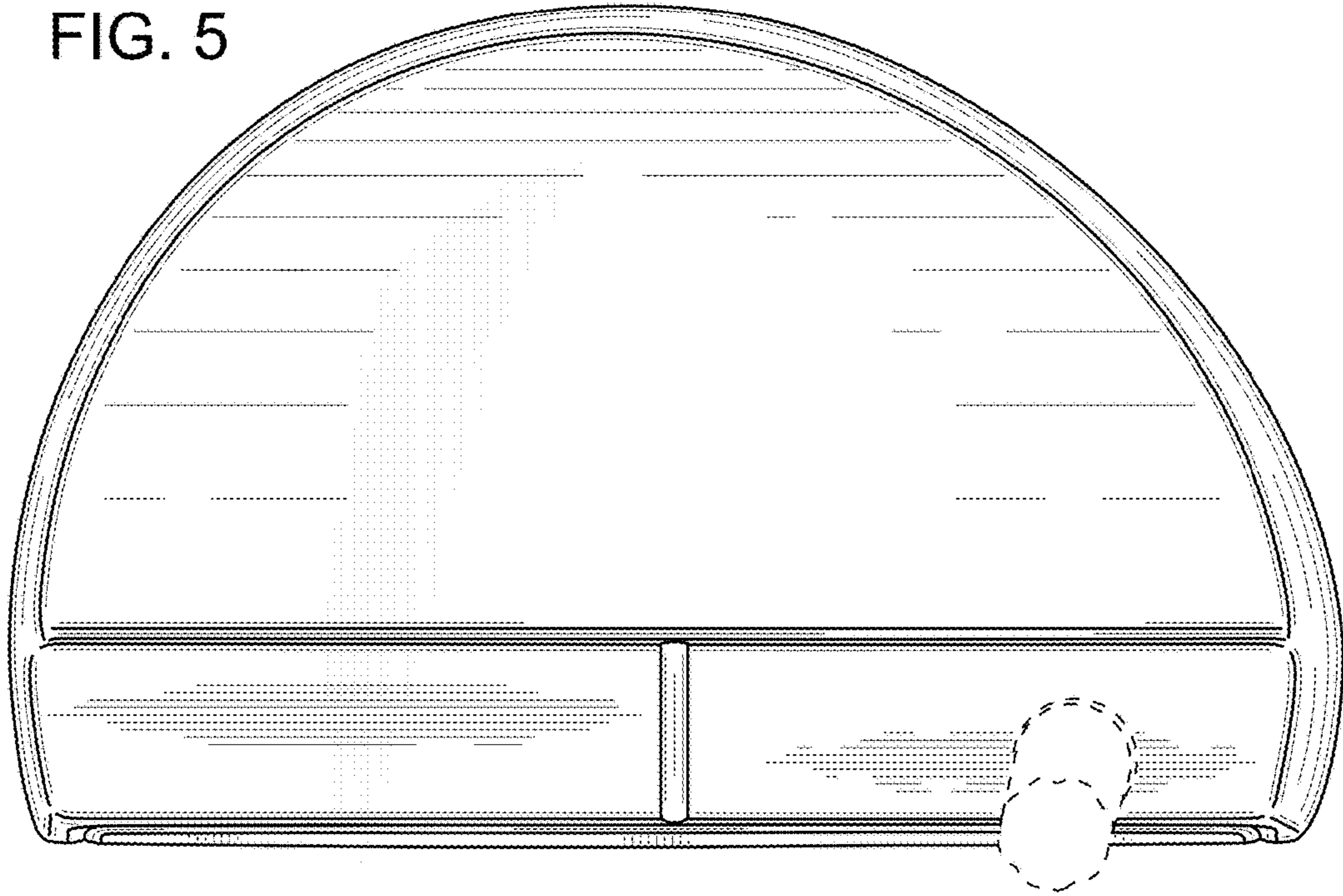


FIG. 6

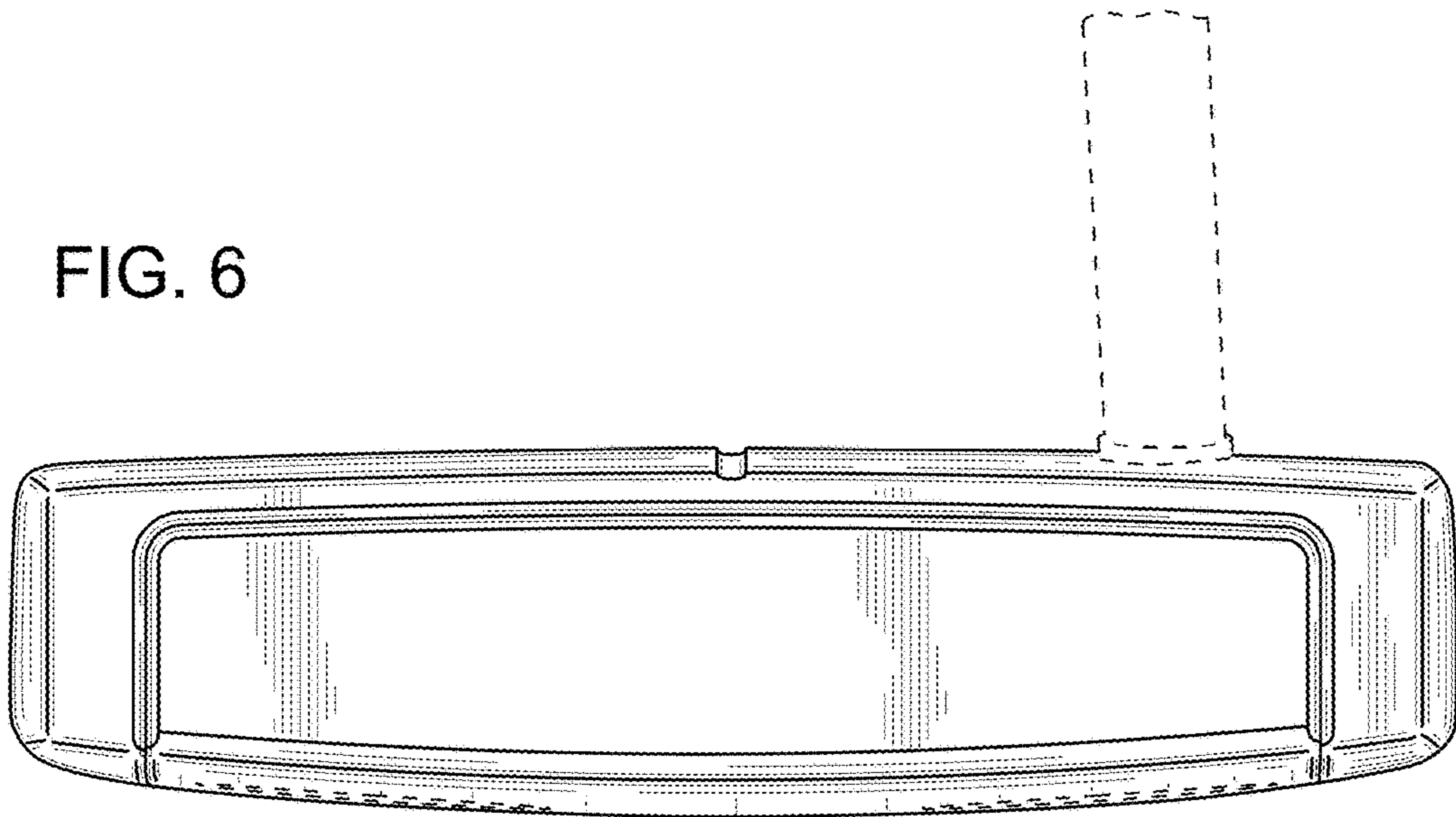


FIG. 7

