



US00D820364S

(12) **United States Design Patent** (10) **Patent No.:** **US D820,364 S**  
**Cameron** (45) **Date of Patent:** **\*\* Jun. 12, 2018**

(54) **GOLF CLUB HEAD**

(71) Applicant: **Acushnet Company**, Fairhaven, MA (US)

(72) Inventor: **Don T. Cameron**, Carlsbad, CA (US)

(73) Assignee: **Acushnet Company**, Fairhaven, MA (US)

(\*\*) Term: **15 Years**

(21) Appl. No.: **29/595,695**

(22) Filed: **Mar. 1, 2017**

(51) **LOC (11) Cl.** ..... **21-02**

(52) **U.S. Cl.**  
 USPC ..... **D21/743**

(58) **Field of Classification Search**  
 USPC ..... D21/736-746, 759  
 CPC ..... A63B 53/00; A63B 53/04; A63B 53/007;  
 A63B 53/065; A63B 53/0487; A63B  
 60/00; A63B 60/46  
 See application file for complete search history.

D405,856 S \* 2/1999 Tang ..... D21/744  
 D511,802 S \* 11/2005 Cameron ..... D21/744  
 D514,181 S \* 1/2006 Cameron ..... D21/738  
 D604,782 S \* 11/2009 Franklin ..... D21/736  
 D644,703 S \* 9/2011 Serrano ..... D21/743  
 D720,022 S \* 12/2014 Rollinson ..... D21/736  
 D720,023 S \* 12/2014 Rollinson ..... D21/736  
 D769,996 S \* 10/2016 Abbott ..... D21/744  
 D796,601 S \* 9/2017 Serrano ..... D21/743

\* cited by examiner

*Primary Examiner* — Mitchell I. Siegel  
 (74) *Attorney, Agent, or Firm* — Randy K. Chang

(57) **CLAIM**

The ornamental design for golf club head, as shown and described.

**DESCRIPTION**

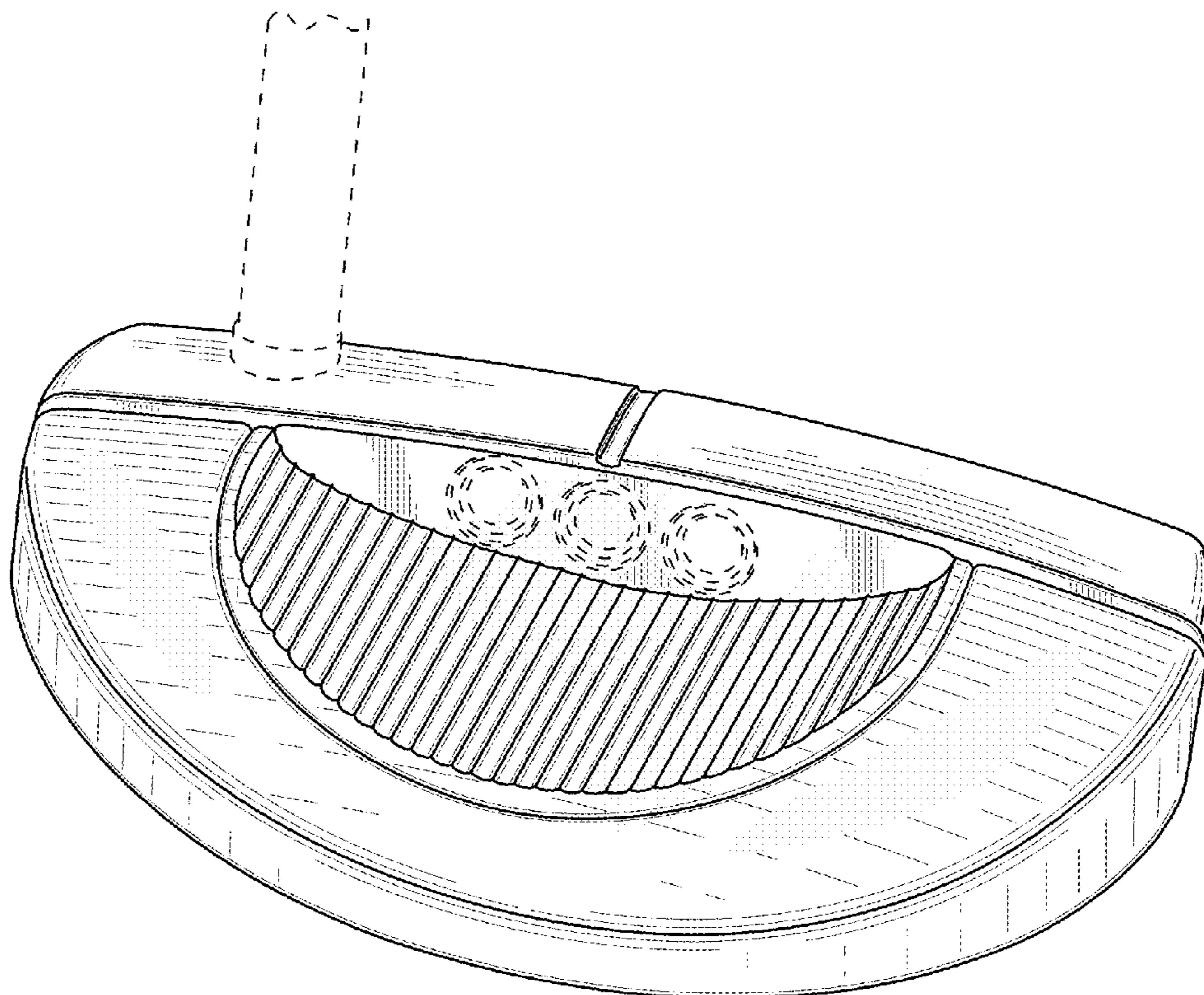
FIG. 1 is a perspective back view of my new design for a golf club head;  
 FIG. 2 is a back view thereof;  
 FIG. 3 is a heel view thereof;  
 FIG. 4 is a toe view thereof;  
 FIG. 5 is a top view thereof;  
 FIG. 6 is a front view thereof; and,  
 FIG. 7 is a bottom sole view thereof.  
 The broken line showing is included for the purpose of illustrating and forms no part of the claimed design.

**1 Claim, 4 Drawing Sheets**

(56) **References Cited**

U.S. PATENT DOCUMENTS

D368,751 S \* 4/1996 Rife ..... D21/745  
 D402,343 S \* 12/1998 Helmstetter ..... D21/736



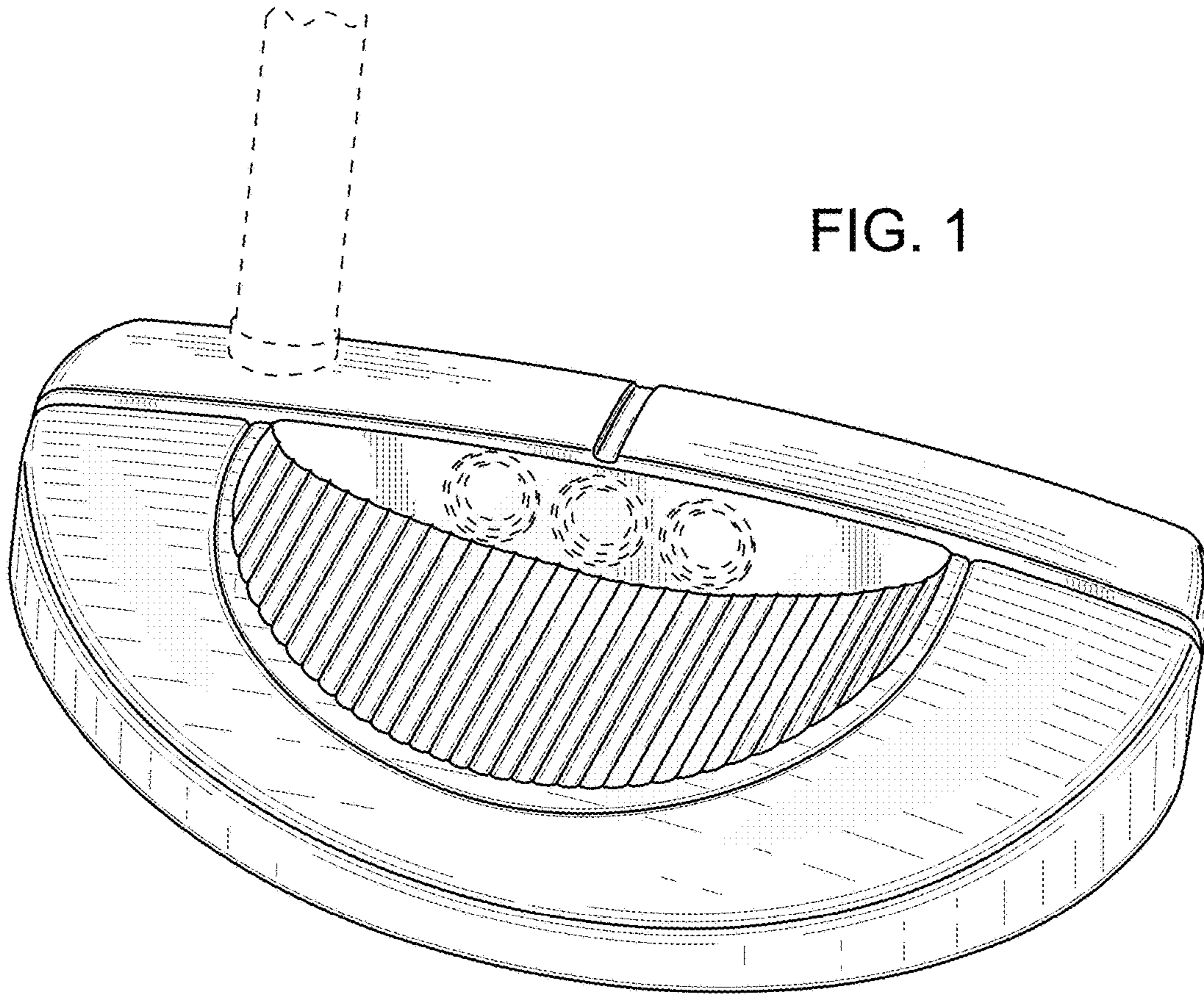


FIG. 1

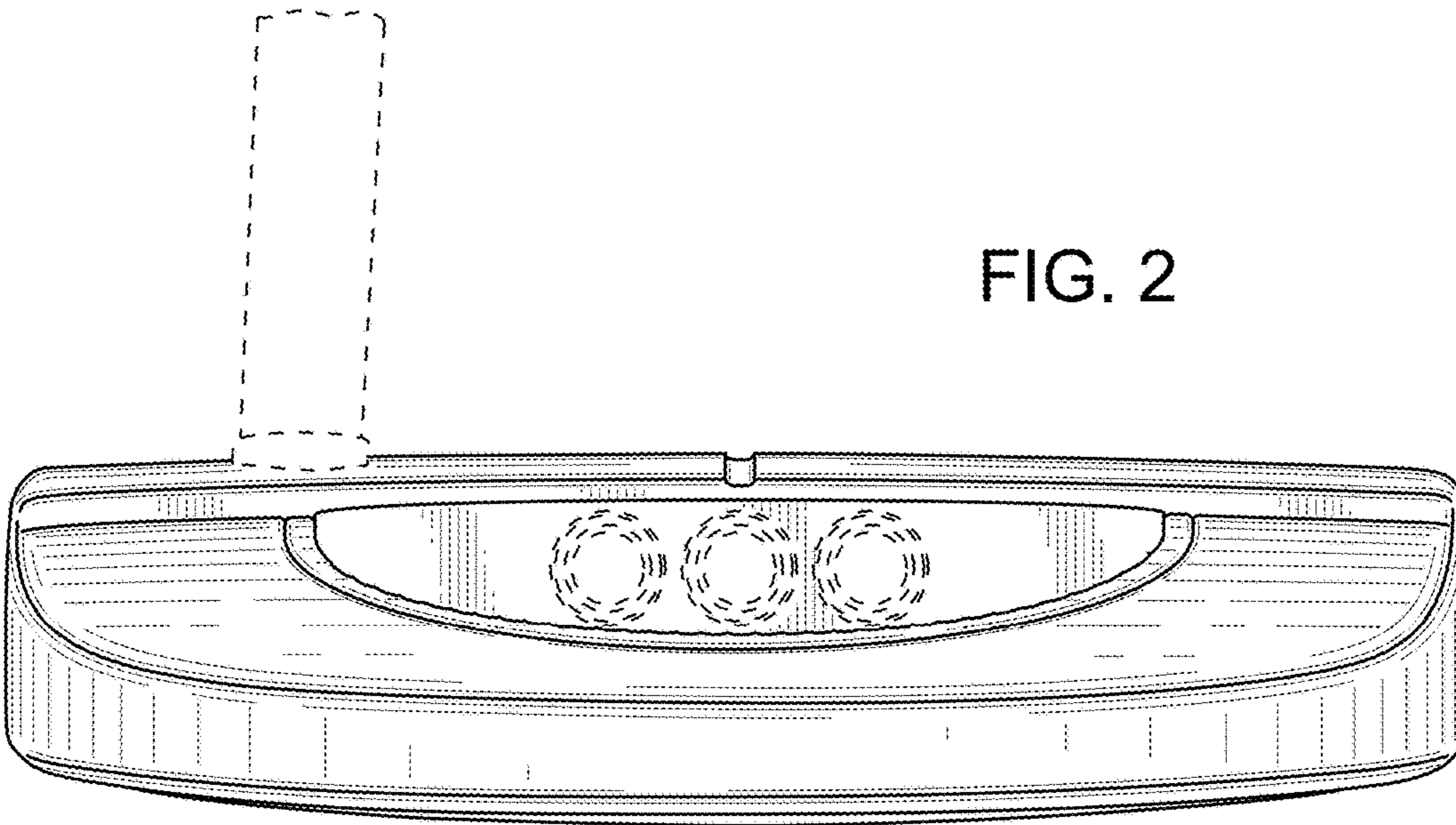


FIG. 2

FIG. 3

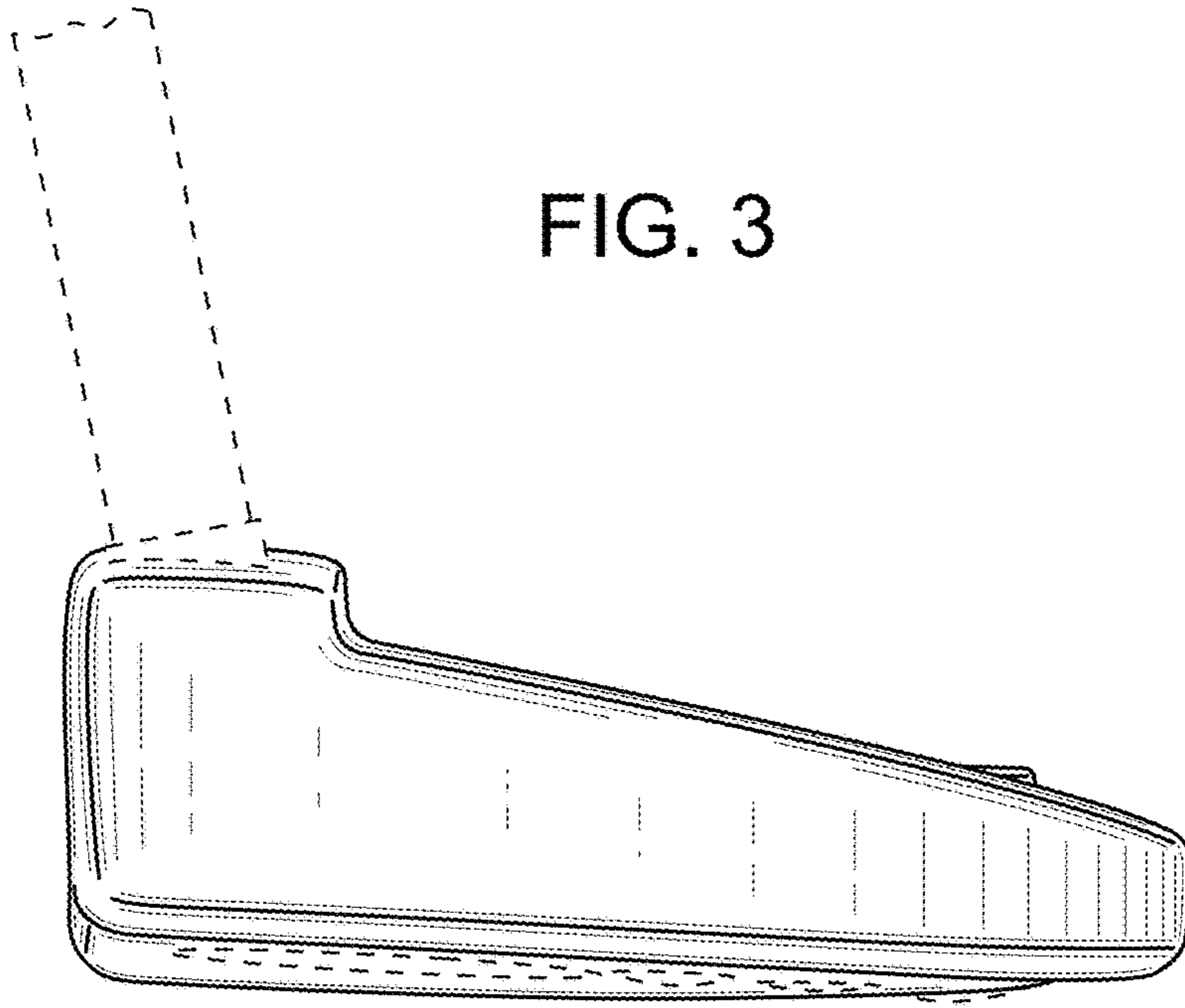


FIG. 4

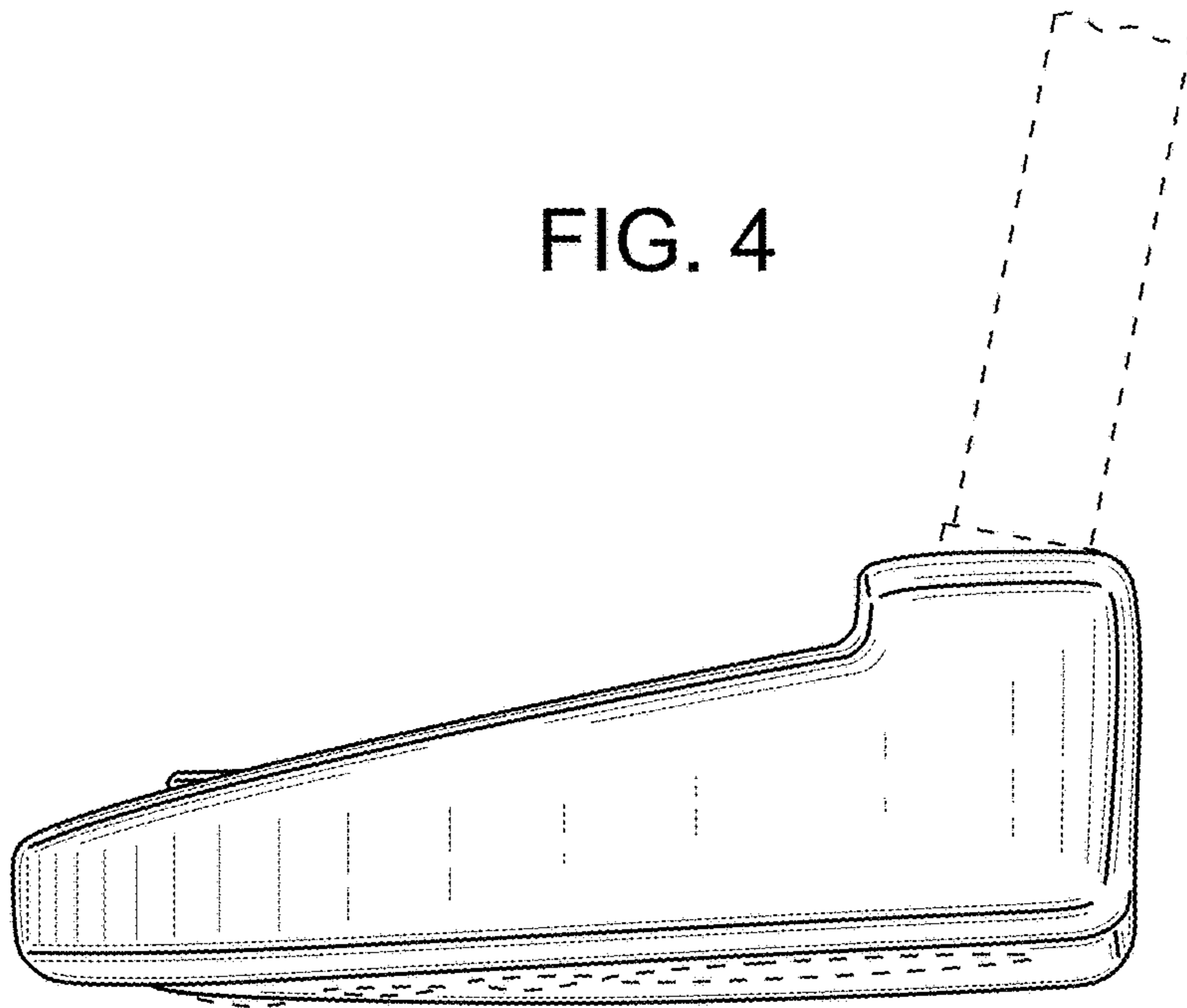


FIG. 5

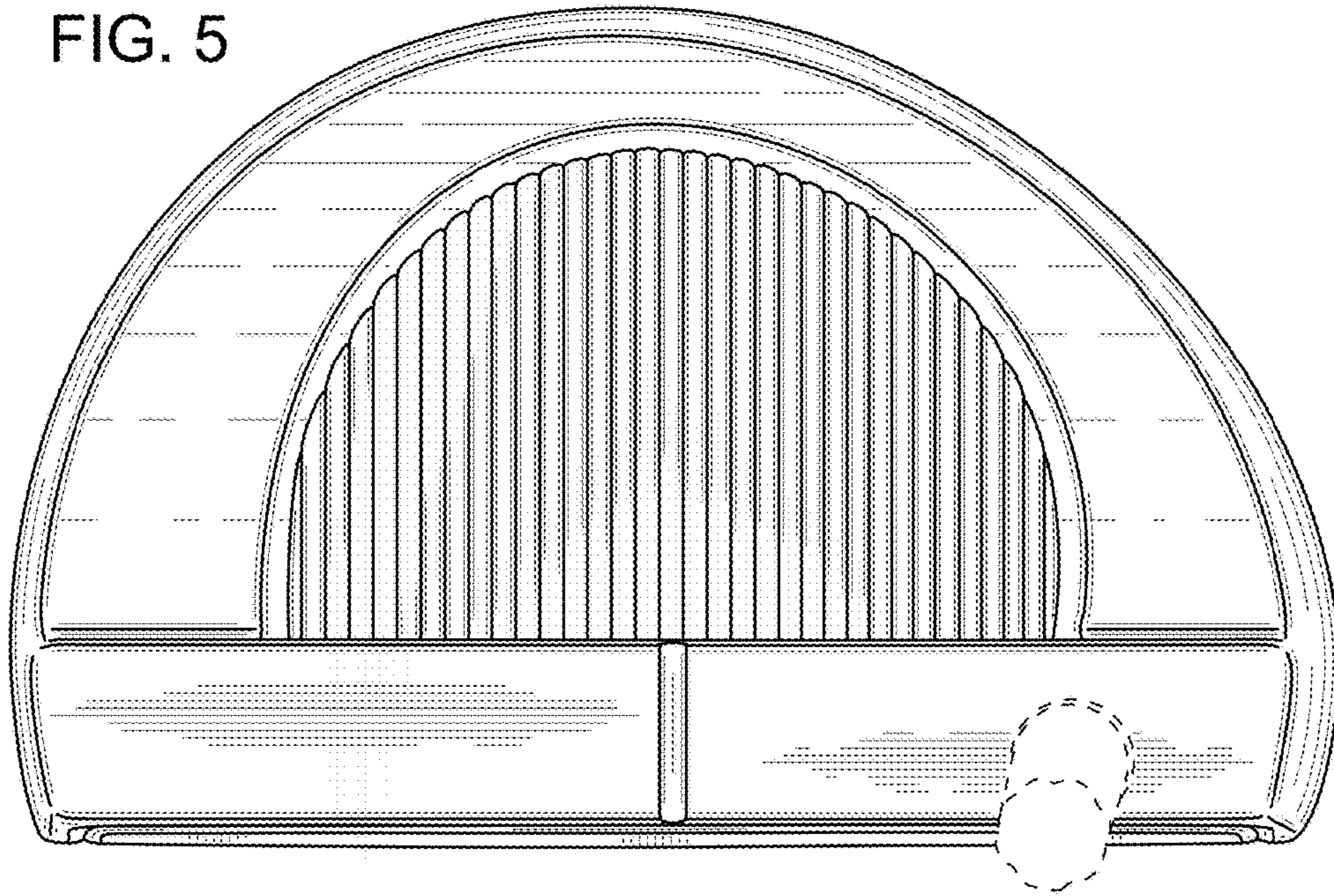


FIG. 6

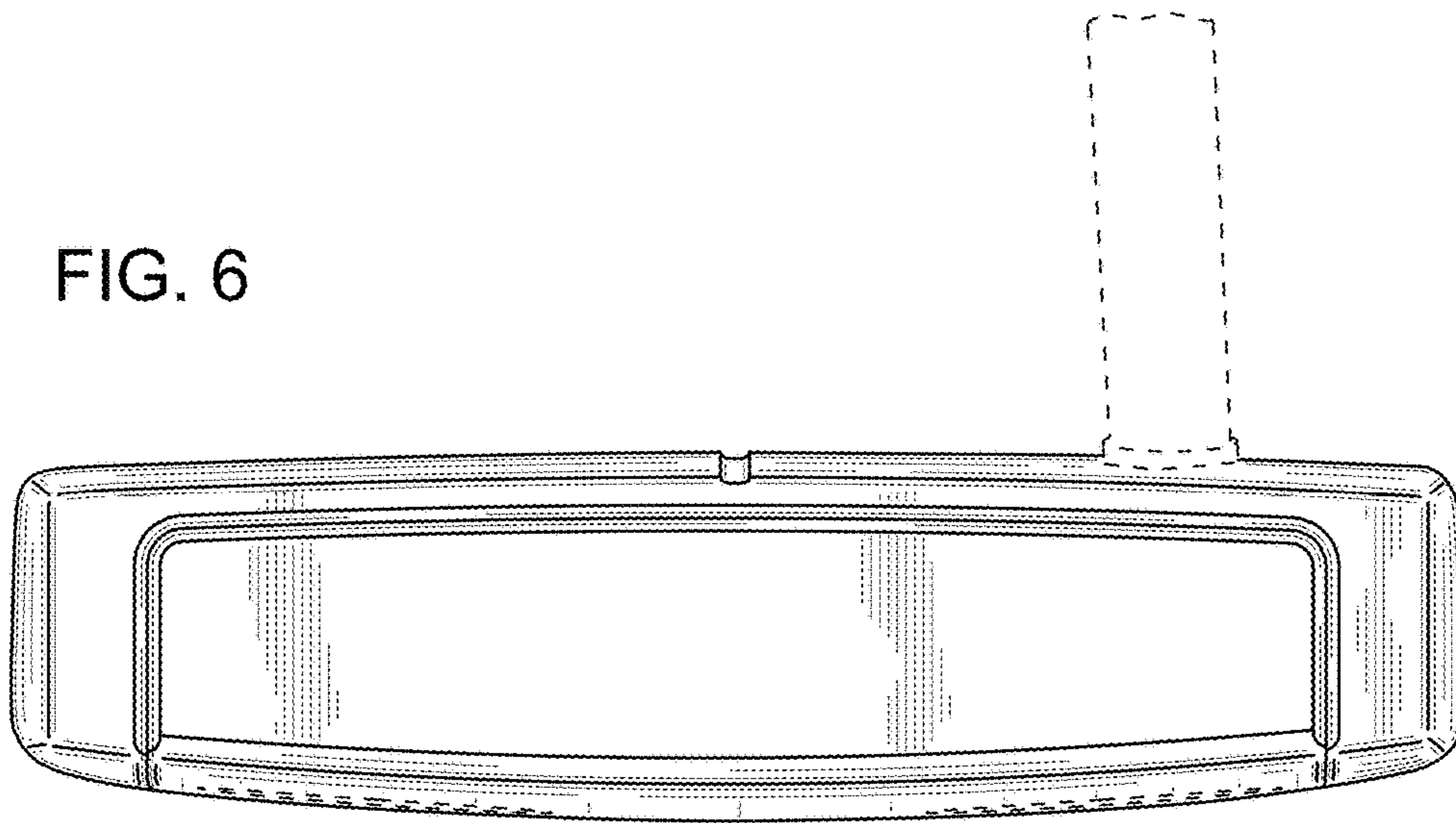


FIG. 7

