



US00D820363S

(12) **United States Design Patent** (10) **Patent No.:** **US D820,363 S**
Su (45) **Date of Patent:** **** Jun. 12, 2018**

(54) **TOY BALL STAND**
(71) Applicant: **TAIWAN JOCA CORP.**, Taipei (TW)
(72) Inventor: **Tsang-Sheng Su**, Taipei (TW)
(73) Assignee: **TAIWAN JOCA CORP.**, Taipei (TW)
(**) Term: **15 Years**
(21) Appl. No.: **29/574,931**
(22) Filed: **Aug. 19, 2016**
(51) **LOC (11) Cl.** **21-02**
(52) **U.S. Cl.**
USPC **D21/717; D21/715**
(58) **Field of Classification Search**
USPC D21/302, 303, 305, 701-703, 717, 715;
473/415-504
CPC A63B 63/00; A63B 63/08; A63B 63/083;
A63B 63/086; A63B 69/0071; A63B
69/0073; A63B 69/0075; A63B 71/02;
A63B 71/023; A63B 71/028; A63B
2071/025; A63B 2071/026; A63B
2225/09; A63B 2225/093; A63B 2210/50;
A63B 2243/0037; A63B 69/0002; A63B
2069/0008
See application file for complete search history.

(56) **References Cited**
U.S. PATENT DOCUMENTS
4,793,611 A * 12/1988 Thornell A63B 63/083
16/343
D320,637 S * 10/1991 Fish, Jr. D21/702
5,066,006 A * 11/1991 Driska A63B 63/083
273/389
5,082,261 A * 1/1992 Pelfrey A63B 71/023
248/407
5,100,134 A * 3/1992 Becker A63B 69/0075
473/417

5,672,130 A * 9/1997 O'Connell A63B 63/083
473/483
5,823,898 A * 10/1998 Wang A63B 71/023
473/483
D401,987 S * 12/1998 Amburgey D21/715
8,221,270 B1 * 7/2012 Kraska A63B 63/083
473/416
2007/0045964 A1 * 3/2007 Petras A63B 63/00
273/317
2011/0312448 A1 * 12/2011 Mcilvain A63B 63/083
473/448
2015/0367219 A1 * 12/2015 Bibbens A63B 69/0075
473/430
2016/0271473 A1 * 9/2016 Fitzpatrick A63B 69/0075
2016/0303450 A1 * 10/2016 Holland A63B 9/0002
2016/0332055 A1 * 11/2016 Su A63B 69/0075

* cited by examiner

Primary Examiner — Catherine A Tuttle
(74) *Attorney, Agent, or Firm* — Kirton McConkie; Evan R. Witt

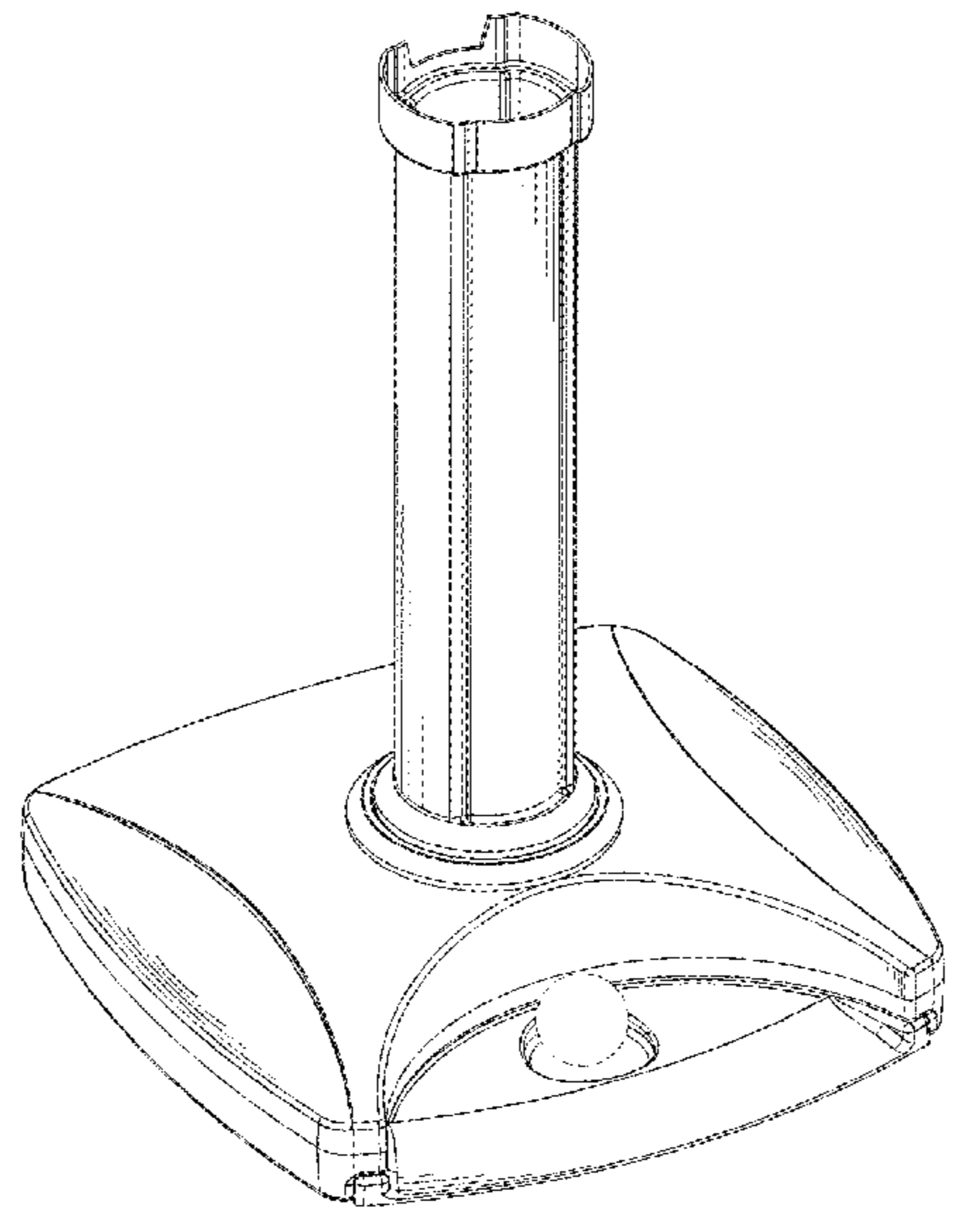
(57) **CLAIM**

The ornamental design for a toy ball stand, as shown and described.

DESCRIPTION

FIG. 1 is a perspective view of a toy ball stand, showing my new design;
FIG. 2 is a front elevational view thereof;
FIG. 3 is a rear elevational view thereof;
FIG. 4 is a left side elevational view thereof;
FIG. 5 is a right side elevational view thereof;
FIG. 6 is a top plan view thereof; and,
FIG. 7 is a bottom plan view thereof.
The broken lines are included for the purpose of illustrating portions of the toy ball stand that form no part of the claimed design.

1 Claim, 6 Drawing Sheets



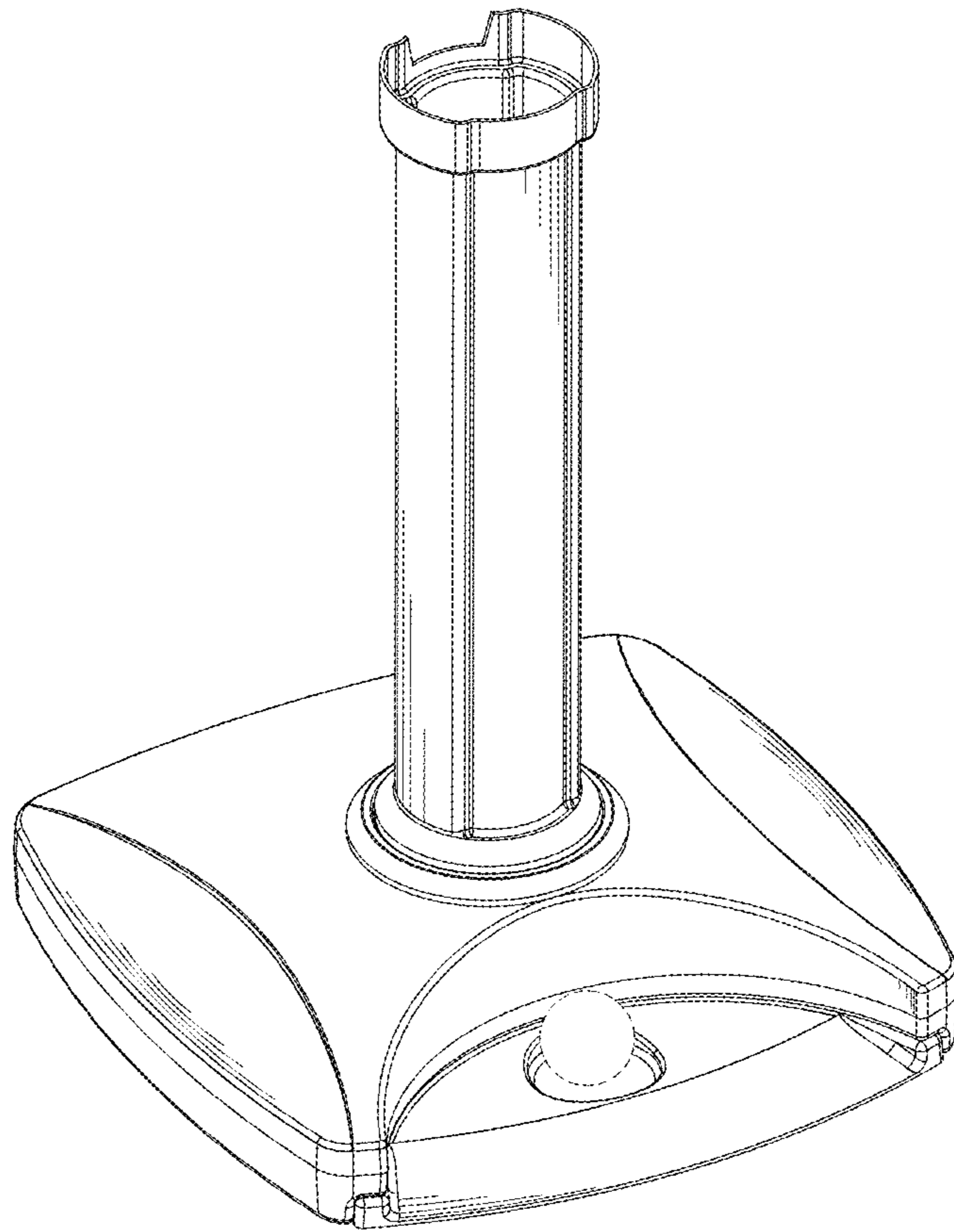


FIG. 1

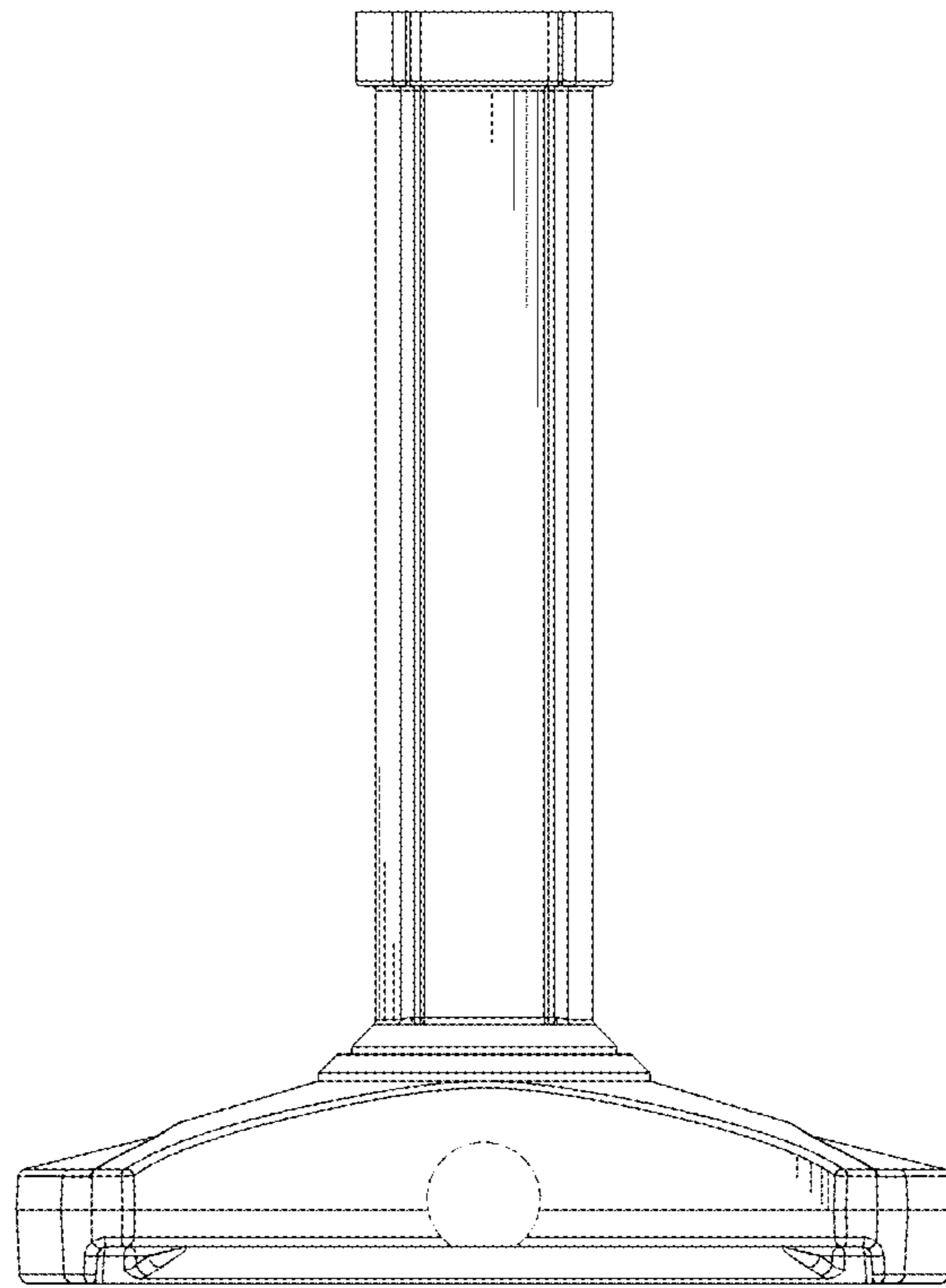


FIG. 2

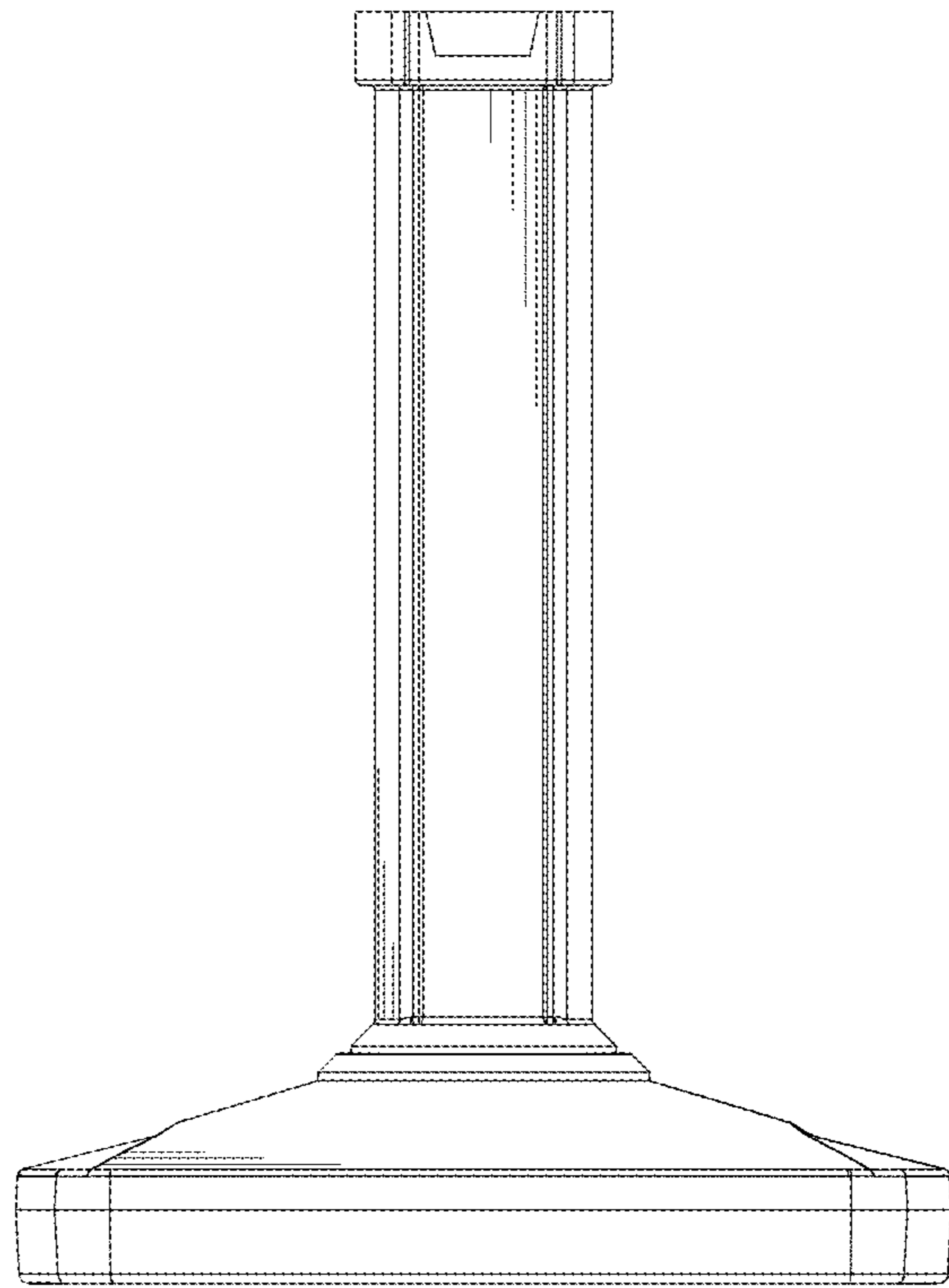


FIG. 3

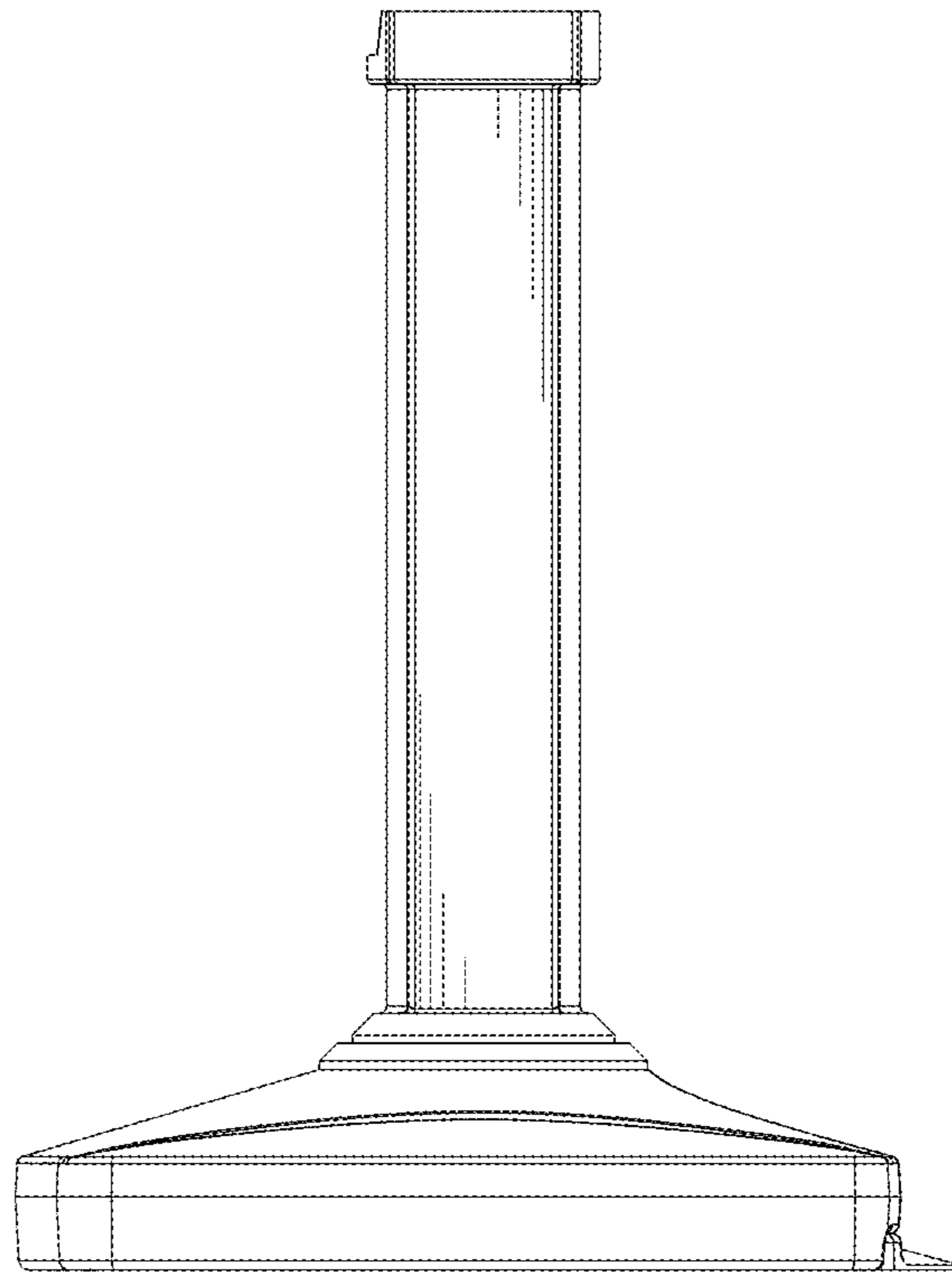


FIG. 4

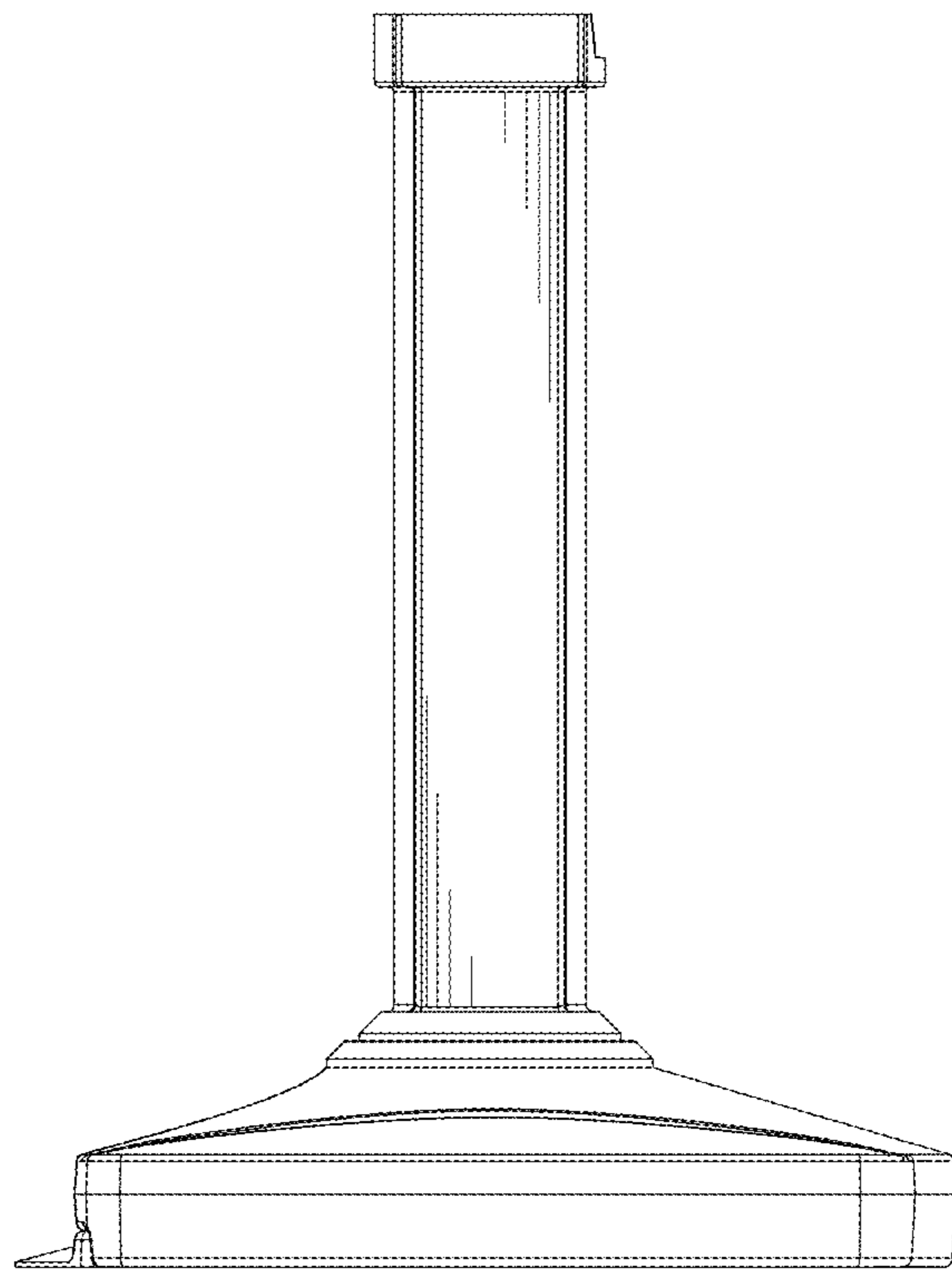


FIG. 5

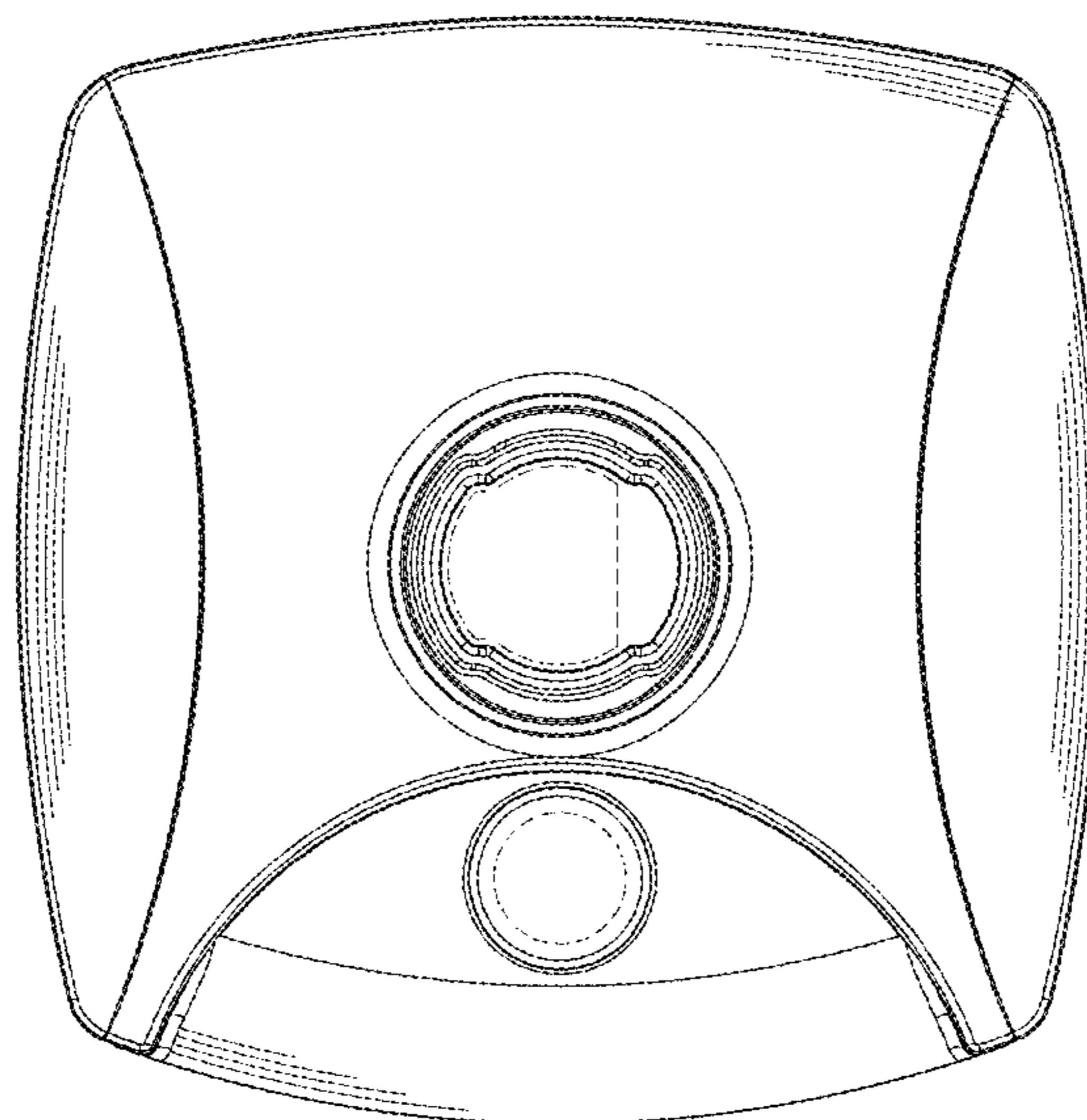


FIG. 6

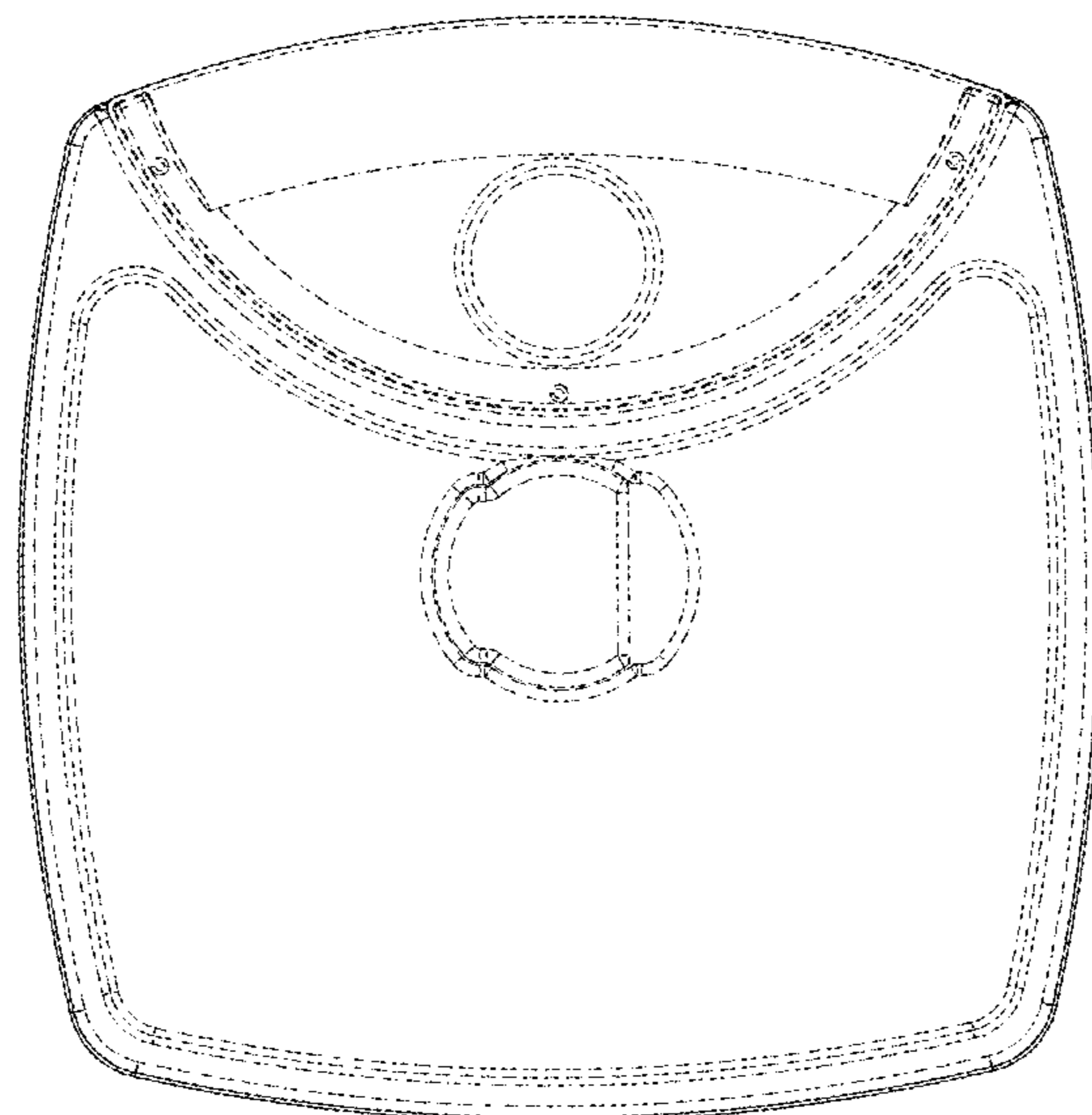


FIG. 7