



US00D820362S

(12) **United States Design Patent**
Citterio

(10) **Patent No.:** **US D820,362 S**
(45) **Date of Patent:** **** Jun. 12, 2018**

(54) **EXERCISE EQUIPMENT**
(71) Applicant: **TECHNOGYM S.p.A.**, Cesena
(Forli'-Cesena) (IT)
(72) Inventor: **Antonio Citterio**, Milan (IT)
(73) Assignee: **TECHNOGYM S.p.A.**, Cesena
(Forli'-Cesena) (IT)

D414,226 S * 9/1999 Kuo D21/676
D455,803 S * 4/2002 Webber D21/686
D477,372 S * 7/2003 Garner D21/690
D519,585 S * 4/2006 Webber D21/676
D568,951 S * 5/2008 Tornabene D21/673
2016/0114204 A1* 4/2016 Swanson A63B 21/4029
482/142

(**) Term: **15 Years**

(21) Appl. No.: **29/580,446**

(22) Filed: **Oct. 10, 2016**

(30) **Foreign Application Priority Data**

Apr. 11, 2016 (EM) 003064344

(51) **LOC (11) Cl.** **21-02**

(52) **U.S. Cl.**
USPC **D21/687**

(58) **Field of Classification Search**
USPC 128/845; 482/129, 130, 140, 141, 142,
482/144, 145, 148; 602/32, 33;
D21/662, 673, 676, 686, 687, 690, 695;
D24/183

CPC A63B 2208/0233; A63B 2213/00; A63B
23/0405; Y10S 482/907

See application file for complete search history.

(56) **References Cited**

U.S. PATENT DOCUMENTS

4,546,967 A * 10/1985 Kecala A63B 21/4031
482/145
D349,344 S * 8/1994 Kudlak D21/687
D370,506 S * 6/1996 Clem D21/687
D406,290 S * 3/1999 McBride D21/676

OTHER PUBLICATIONS

Technogym "Bench Personal" <https://www.technogym.com/us/bench-home-personal.html>. Oct. 8, 2017.*

* cited by examiner

Primary Examiner — Cynthia Ramirez
Assistant Examiner — Michael A Maharajh

(74) *Attorney, Agent, or Firm* — Thomas | Horstemeyer,
LLP

(57) **CLAIM**

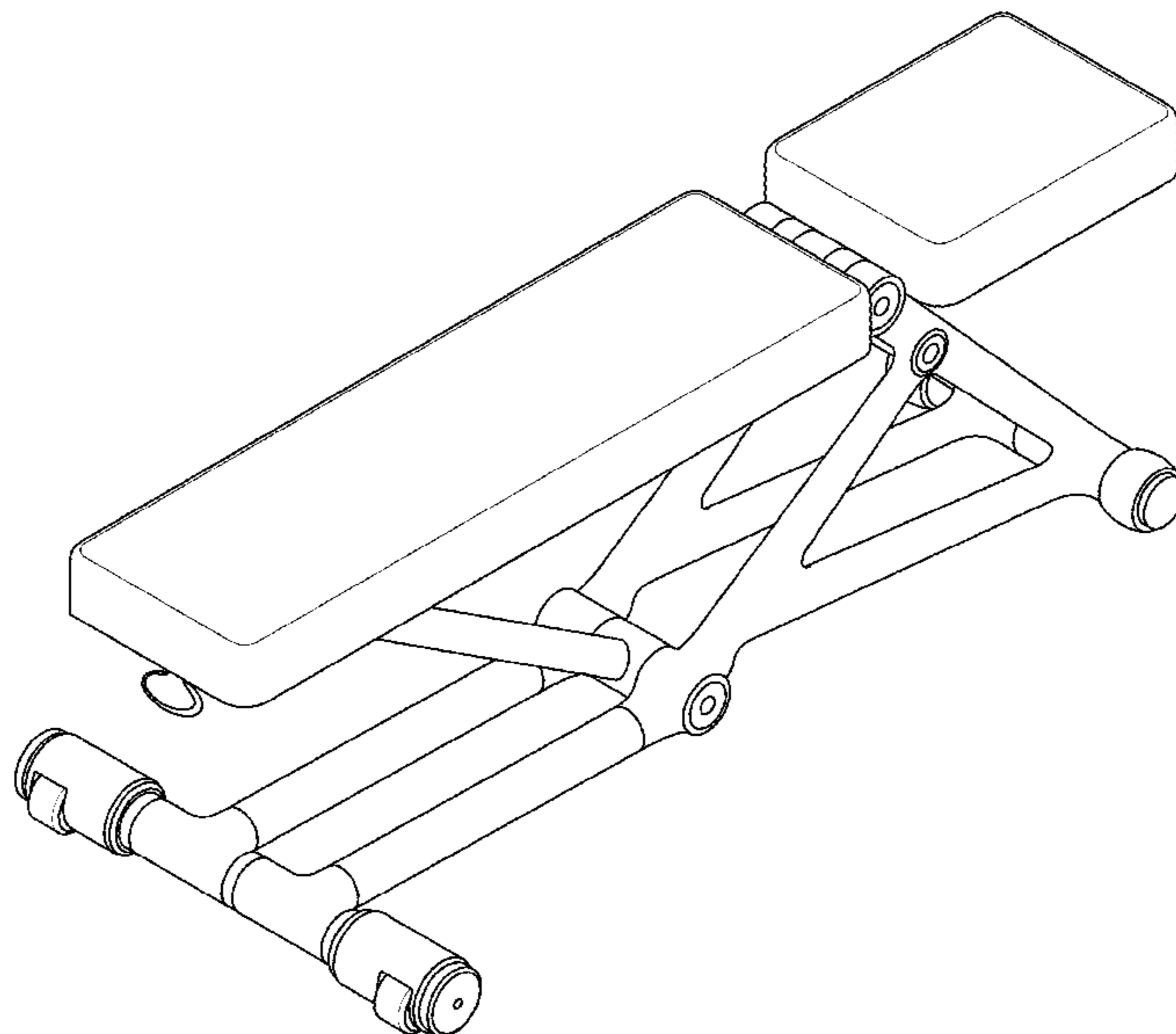
The ornamental design for an exercise equipment, as shown and described.

DESCRIPTION

FIG. 1 is a perspective view of an exercise equipment showing my new design;
FIG. 2 is a front elevational view thereof;
FIG. 3 is a rear elevational view thereof, opposite that of FIG. 2;
FIG. 4 is a side elevational view thereof;
FIG. 5 is a side elevational view thereof, from a side opposite that of FIG. 4;
FIG. 6 is a top view thereof; and,
FIG. 7 is a bottom view thereof.

The broken lines shown in the drawings illustrate portions of the exercise equipment that form no part of the claimed design.

1 Claim, 7 Drawing Sheets



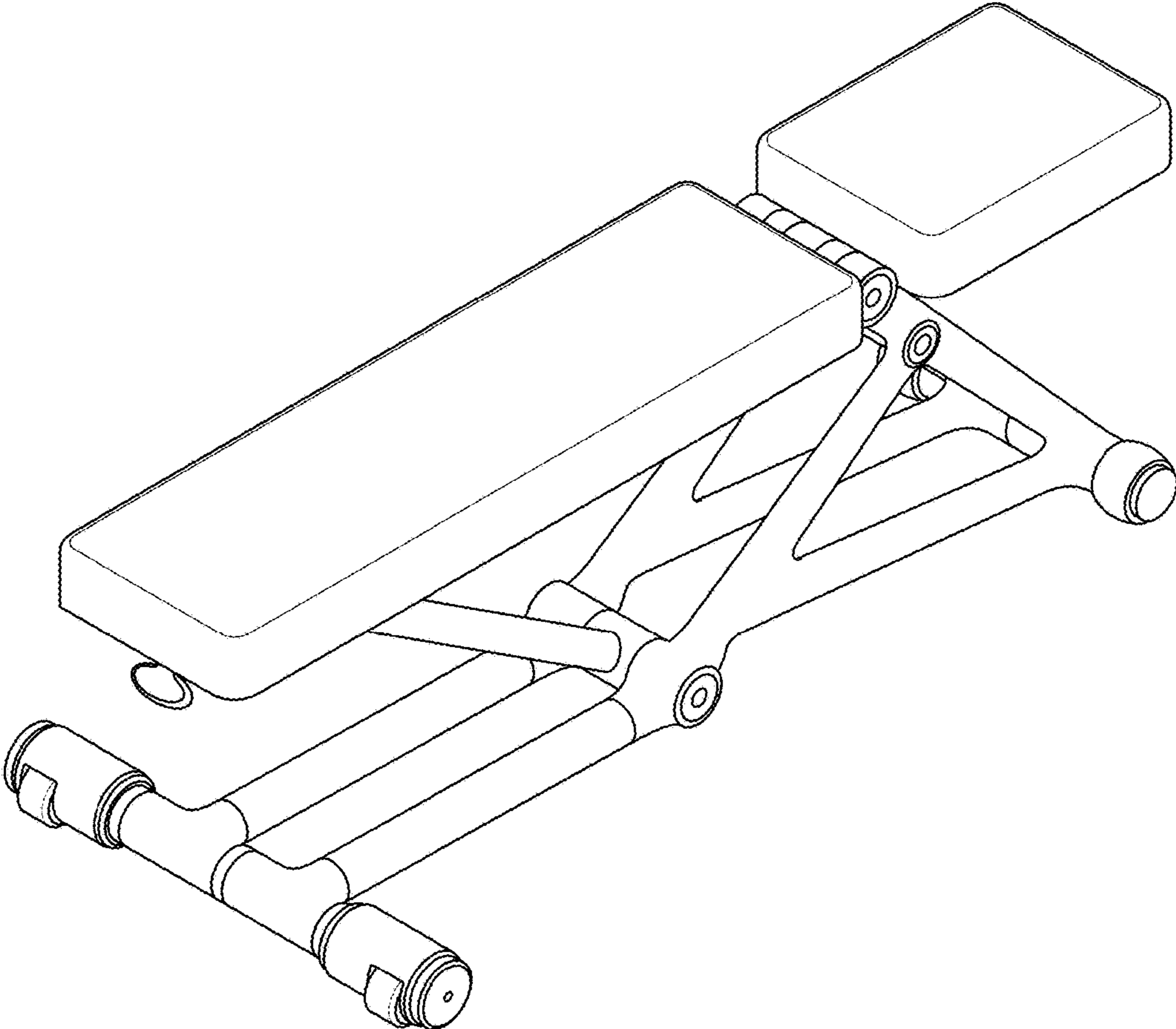


FIG. 1

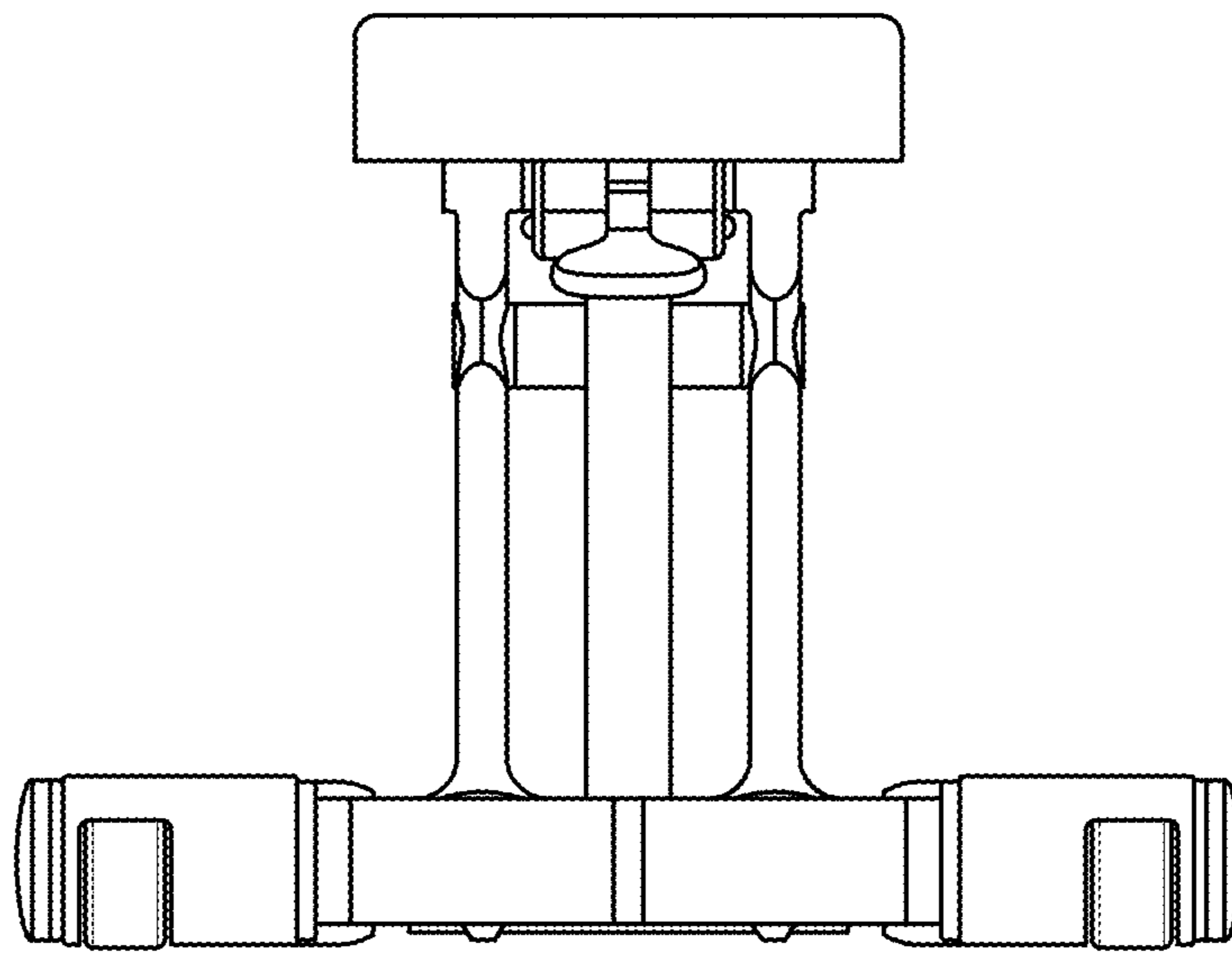


FIG. 2

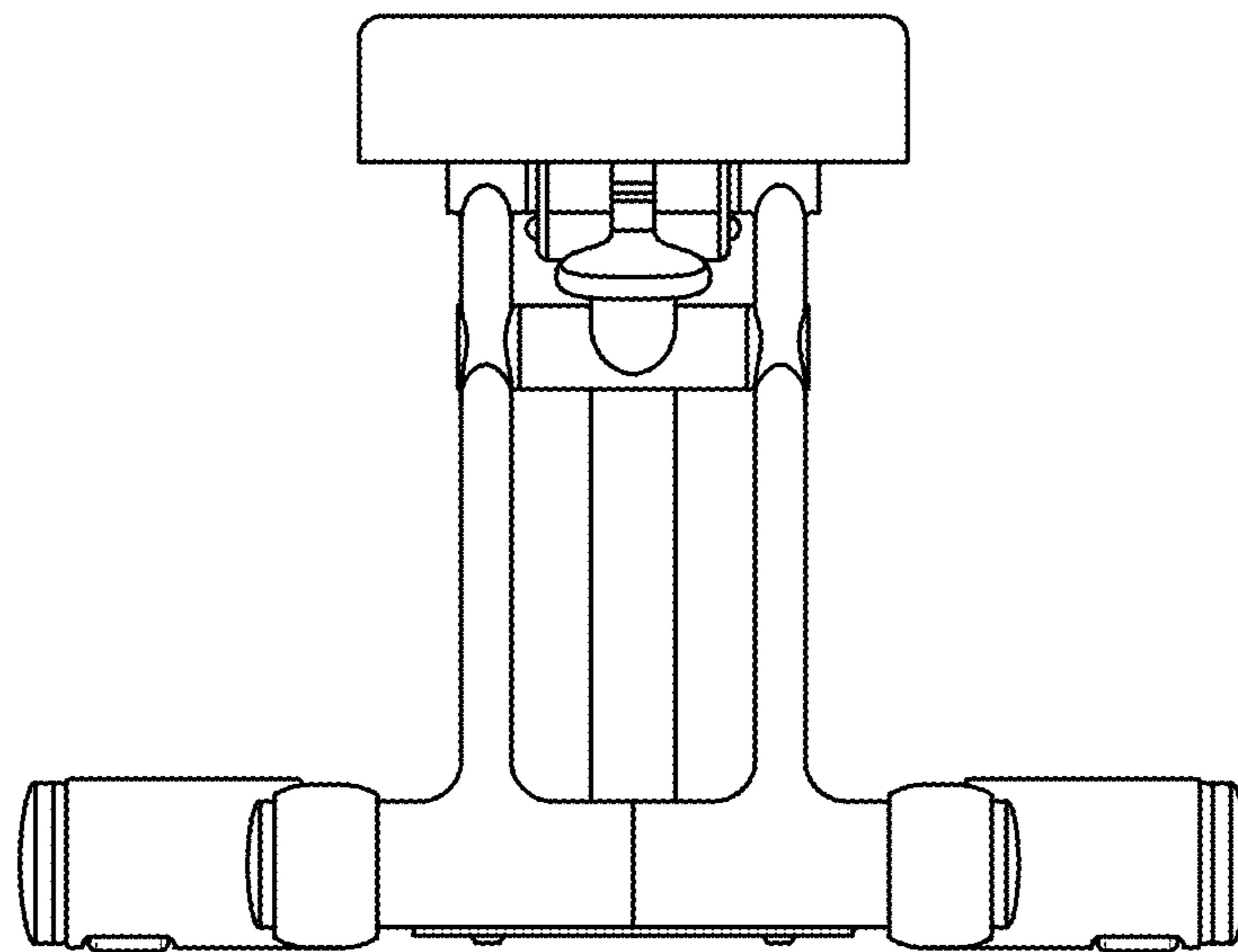


FIG. 3

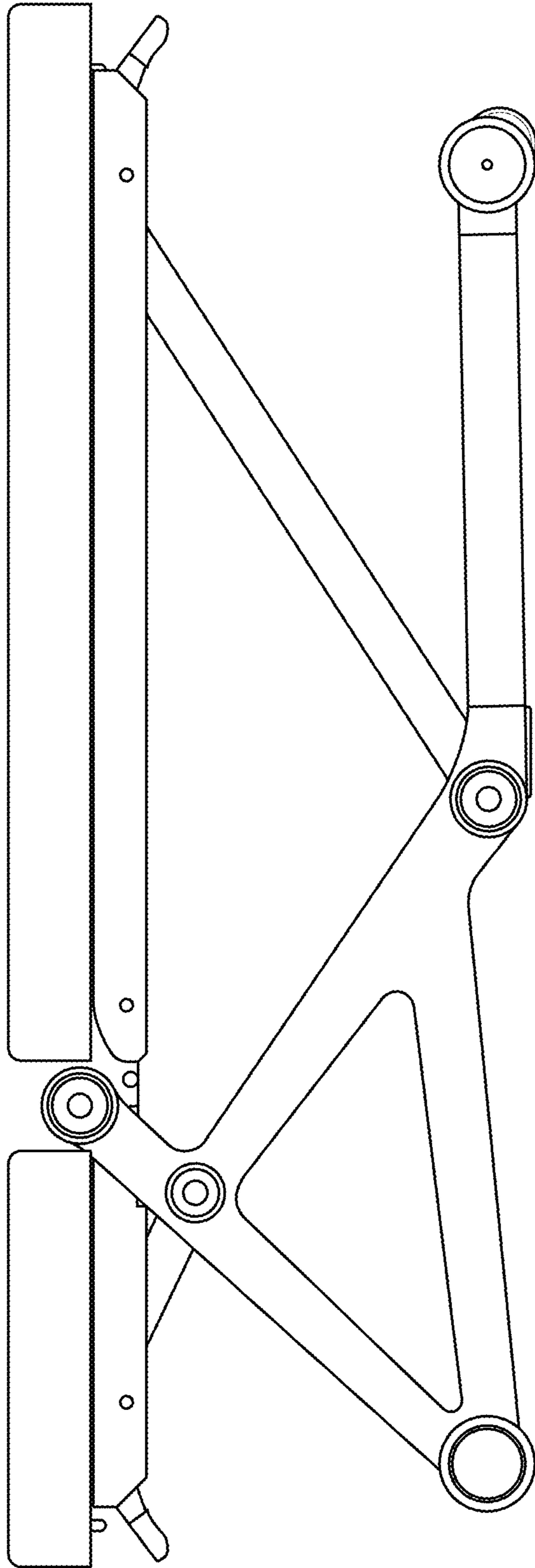


FIG. 4

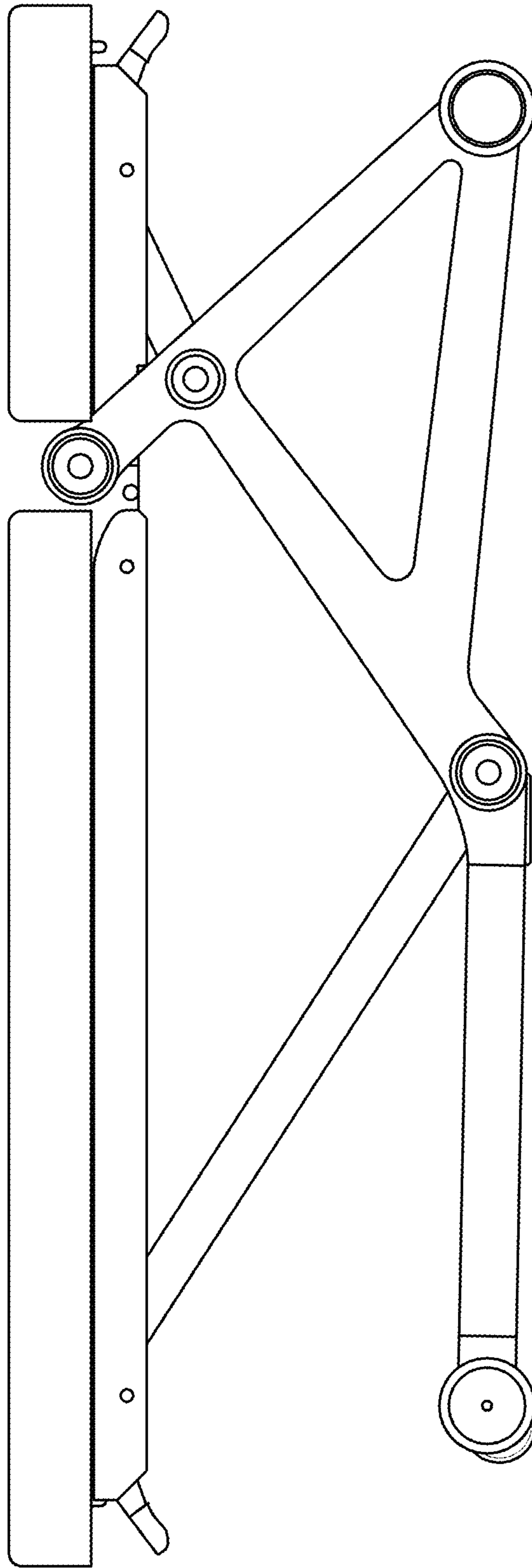


FIG. 5

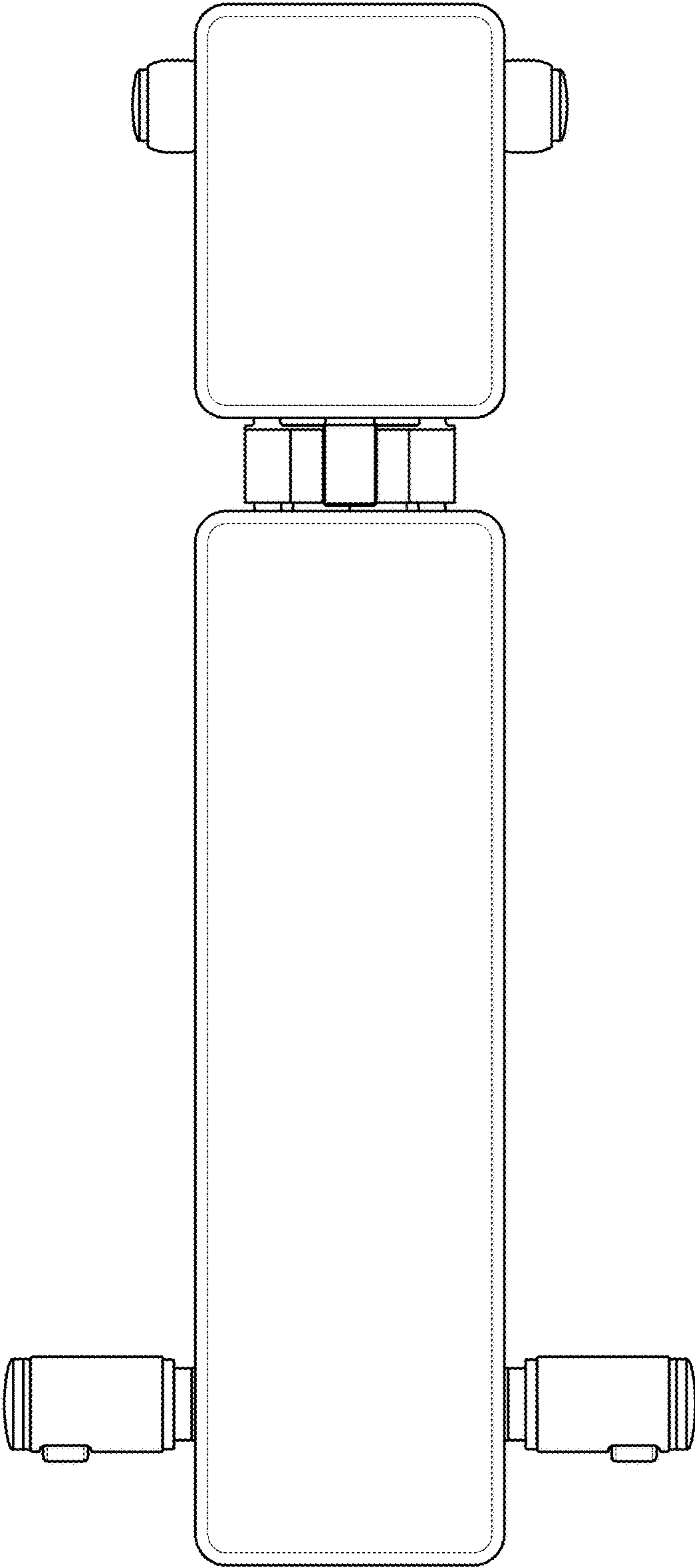


FIG. 6

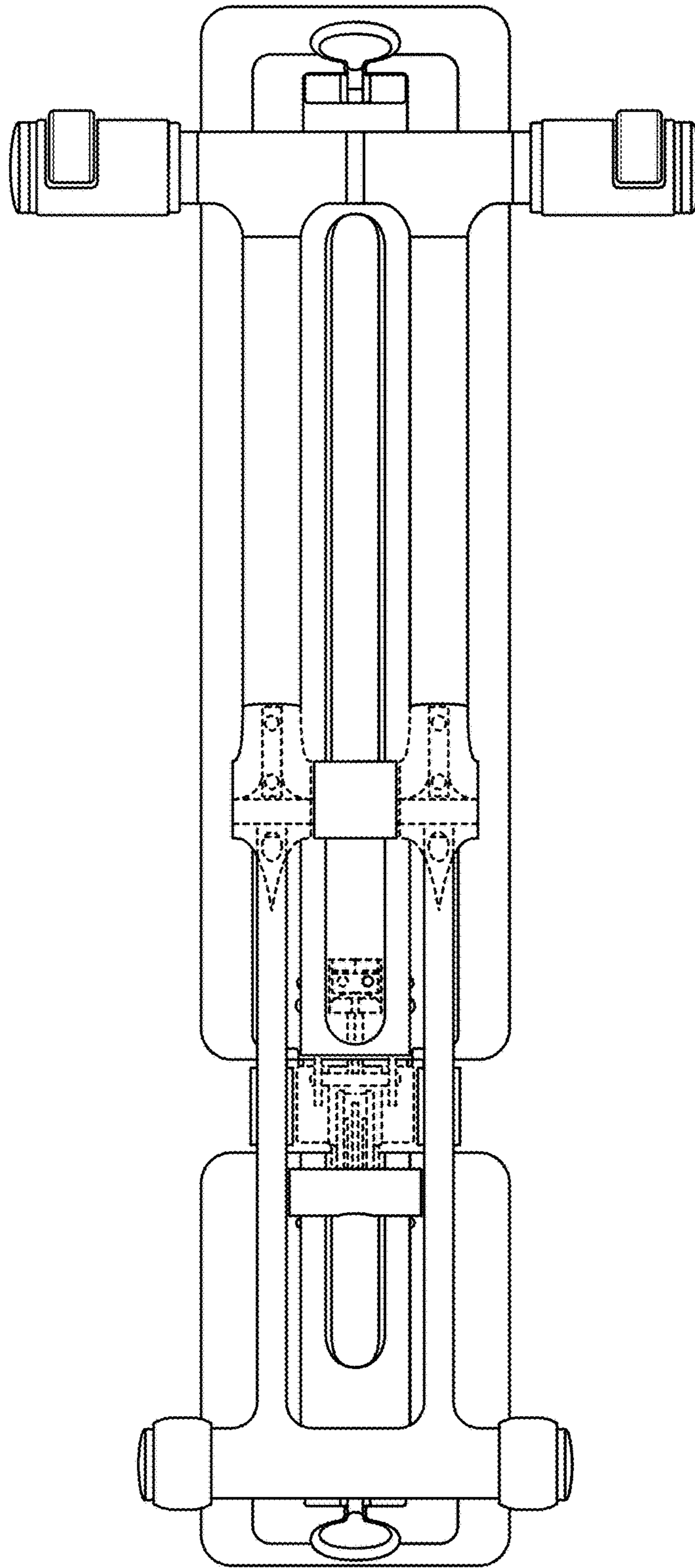


FIG. 7