



US00D820361S

(12) **United States Design Patent** (10) **Patent No.:** **US D820,361 S**
Slattery (45) **Date of Patent:** **** Jun. 12, 2018**

(54) **EXERCISE DEVICE**

(71) Applicant: **Stephen Slattery**, Swindon (GB)

(72) Inventor: **Stephen Slattery**, Swindon (GB)

(**) Term: **15 Years**

(21) Appl. No.: **29/581,224**

(22) Filed: **Oct. 17, 2016**

(30) **Foreign Application Priority Data**

May 24, 2016 (EM) 003149590

(51) **LOC (11) Cl.** **21-02**

(52) **U.S. Cl.**
USPC **D21/662**

(58) **Field of Classification Search**
USPC .. 482/4, 49, 79, 91, 96, 121, 140, 142, 146,
482/148; D21/662, 685, 686, 687, 688,
D21/694
CPC A63B 2022/185; A63B 2026/006; A63B
21/4035
See application file for complete search history.

(56) **References Cited**

U.S. PATENT DOCUMENTS

D298,266 S *	10/1988	Reyneke	D21/685
5,284,458 A *	2/1994	Perry	A63B 21/169
				482/49
D432,603 S *	10/2000	Bullard, Jr.	D21/686
D467,632 S *	12/2002	Berns	D21/662
D631,107 S *	1/2011	Gillis	D21/685
7,883,444 B1 *	2/2011	Wu	A61H 1/02
				482/4
D729,885 S *	5/2015	Wampler	D21/662
D729,886 S *	5/2015	Wampler	D21/662
D778,373 S *	2/2017	Gossett	D21/685
2011/0124473 A1 *	5/2011	Kole	A63B 21/028
				482/79

(Continued)

Primary Examiner — Cynthia Ramirez

Assistant Examiner — Michael A Maharajh

(74) *Attorney, Agent, or Firm* — King & Schickli, PLLC

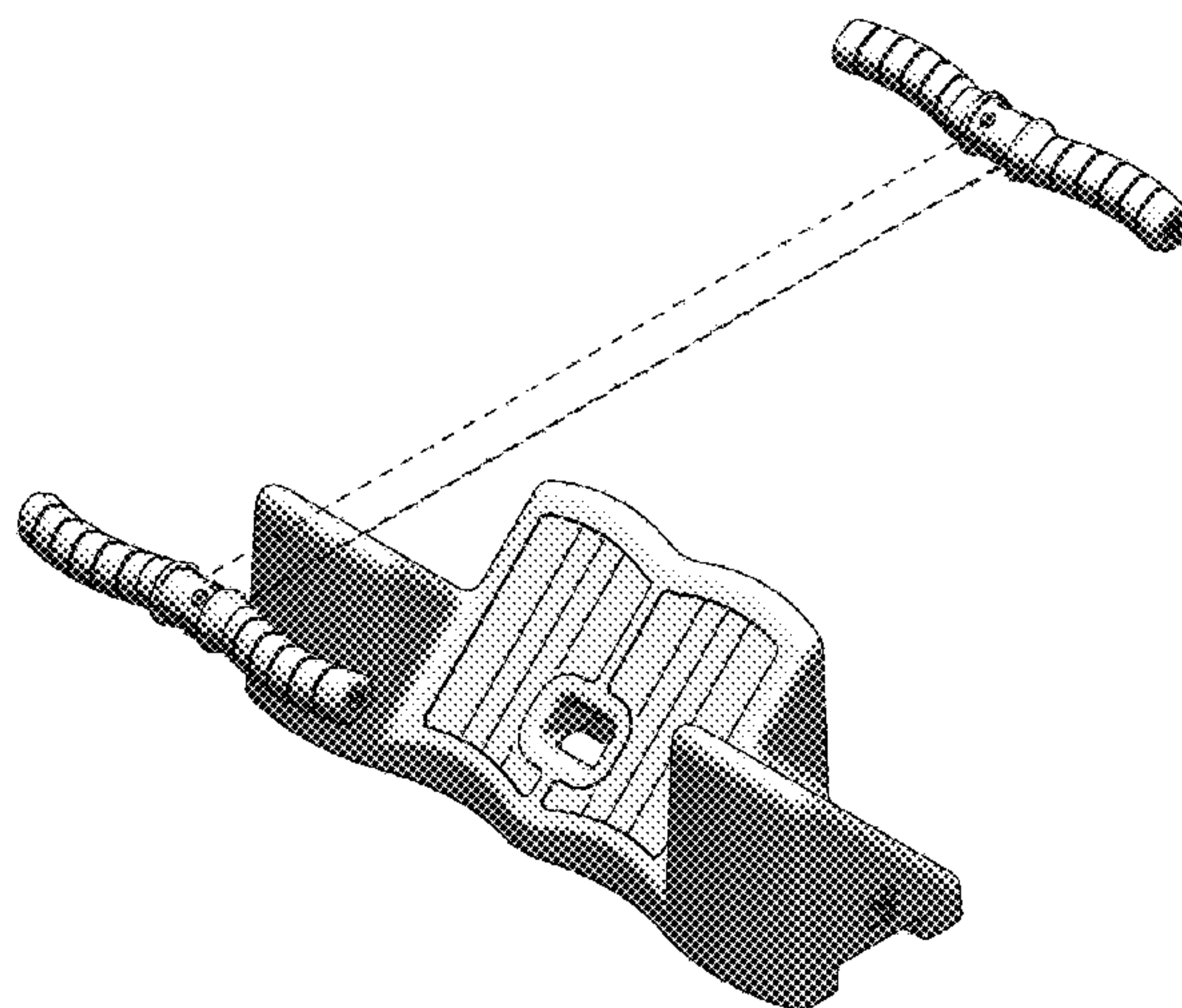
(57) **CLAIM**

The ornamental design for an exercise device, as shown and described.

DESCRIPTION

FIG. 1 is a front perspective view of an exercise device showing my new design;
 FIG. 2 is a front view thereof;
 FIG. 3 is a rear view thereof;
 FIG. 4 is a top view thereof;
 FIG. 5 is a bottom view thereof;
 FIG. 6 is a right side view thereof;
 FIG. 7 is a left side view thereof;
 FIG. 8 is a rear perspective view of the handle portion of the exercise device;
 FIG. 9 is a top view thereof;
 FIG. 10 is a bottom view thereof;
 FIG. 11 is a left side view thereof;
 FIG. 12 is a right side view thereof;
 FIG. 13 is a front view of the handle thereof;
 FIG. 14 is a back view thereof;
 FIG. 15 is a front perspective of a base portion of the exercise device;
 FIG. 16 is a front view thereof;
 FIG. 17 is a rear view thereof;
 FIG. 18 is a top view thereof;
 FIG. 19 is a bottom view thereof;
 FIG. 20 is a right side view thereof; and,
 FIG. 21 is a left side view thereof.
 One of the handles is being shown separately in FIGS. 8 through 14 and the base is shown separately in FIGS. 15 through 21 for convenience of illustration and for clarity. The broken lines in the figures are for the purposes of illustrating portions of the exercise device, which form no part of the claimed design.

1 Claim, 15 Drawing Sheets



(56)

References Cited

U.S. PATENT DOCUMENTS

2013/0150221 A1* 6/2013 Sibley A63B 21/15
482/148

* cited by examiner

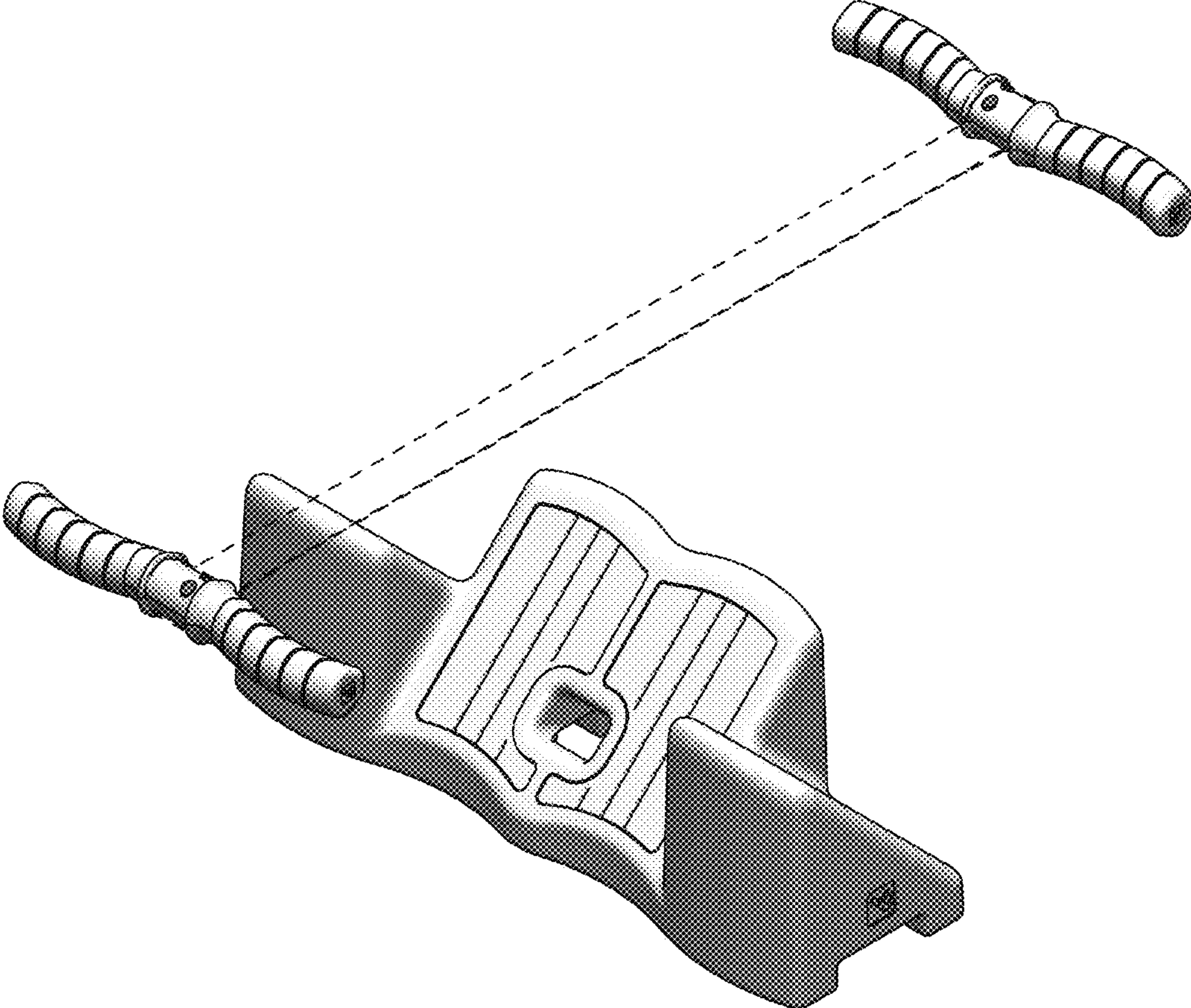


Fig. 1

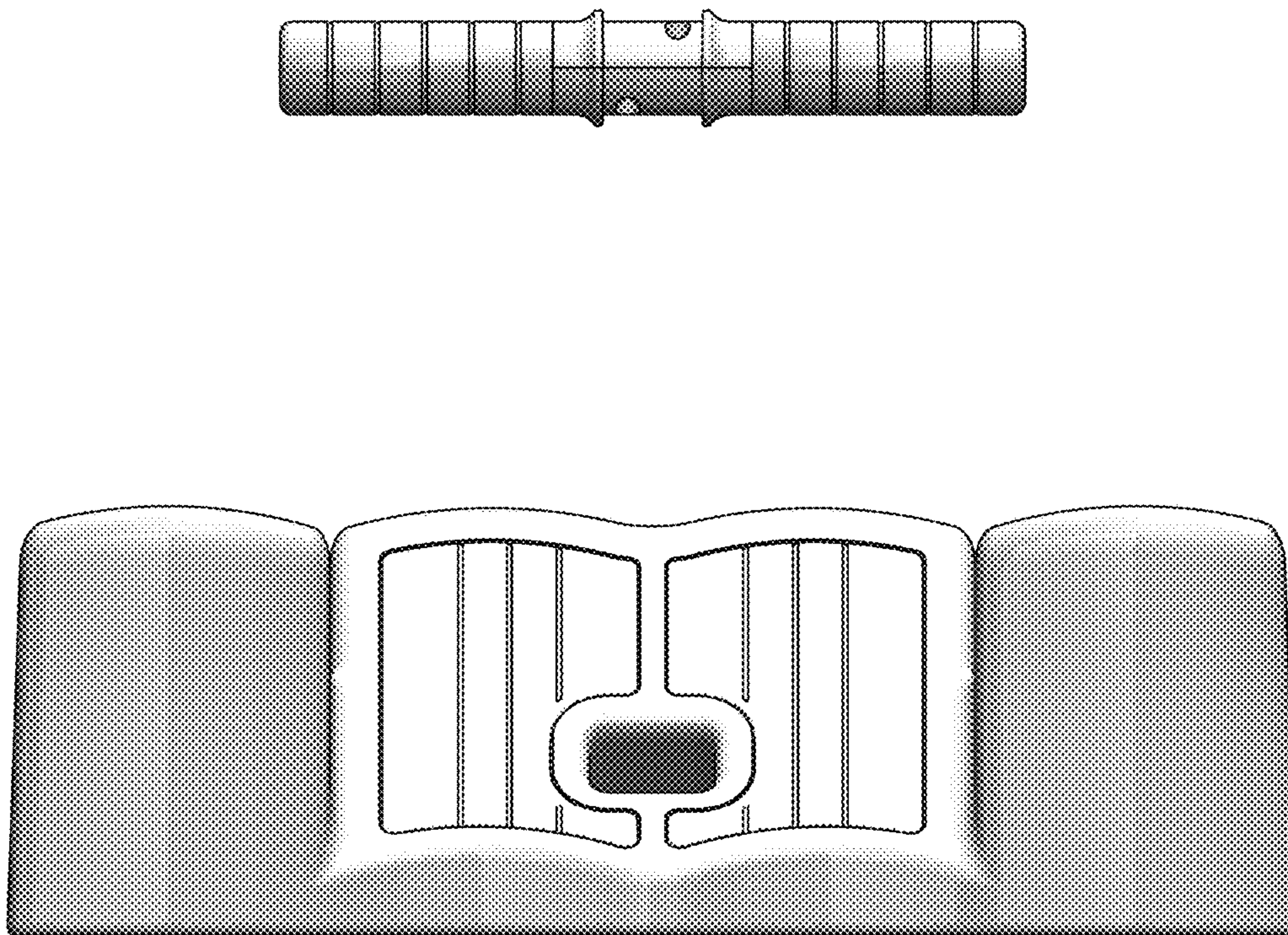


Fig. 2

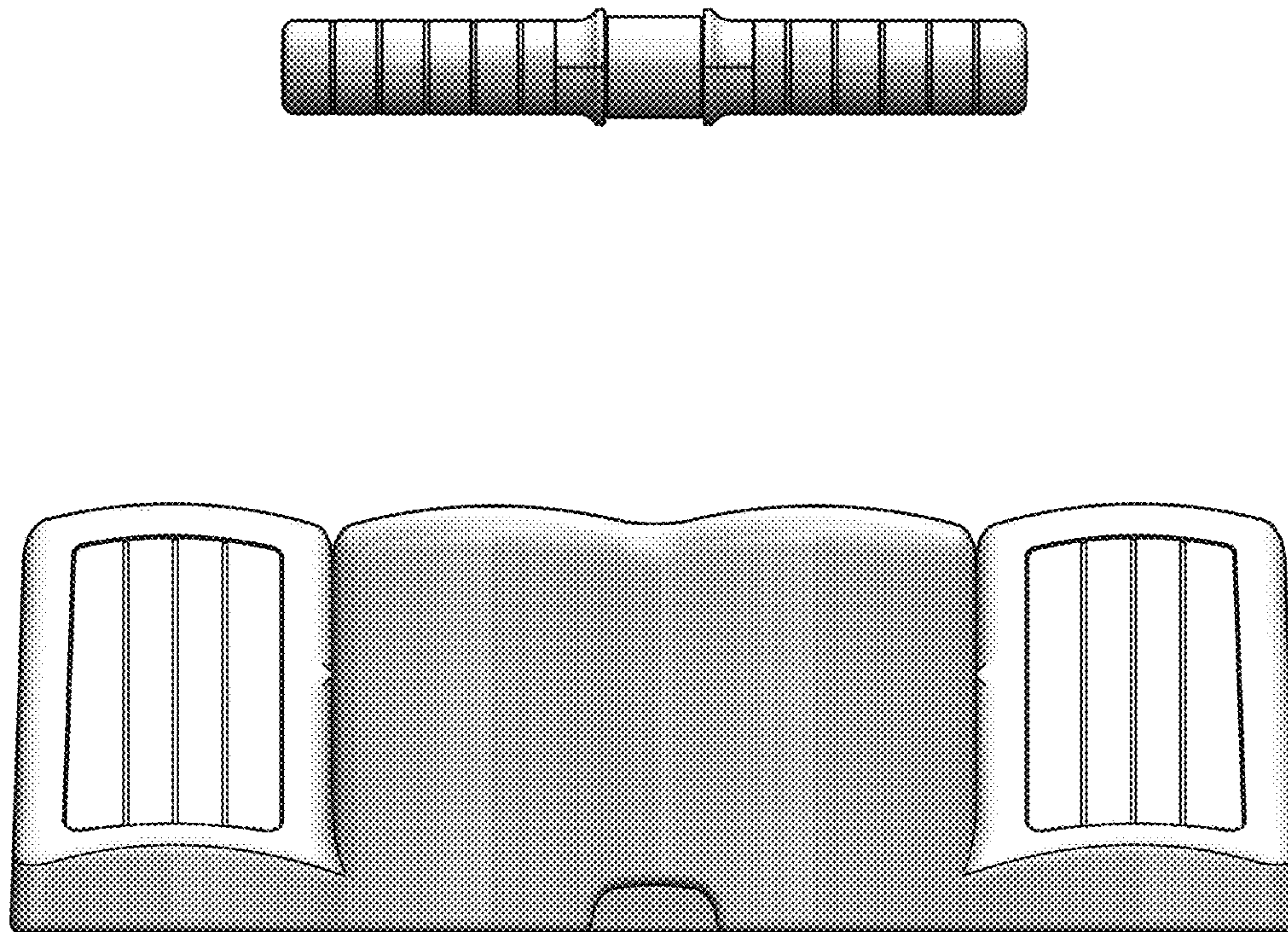


Fig. 3

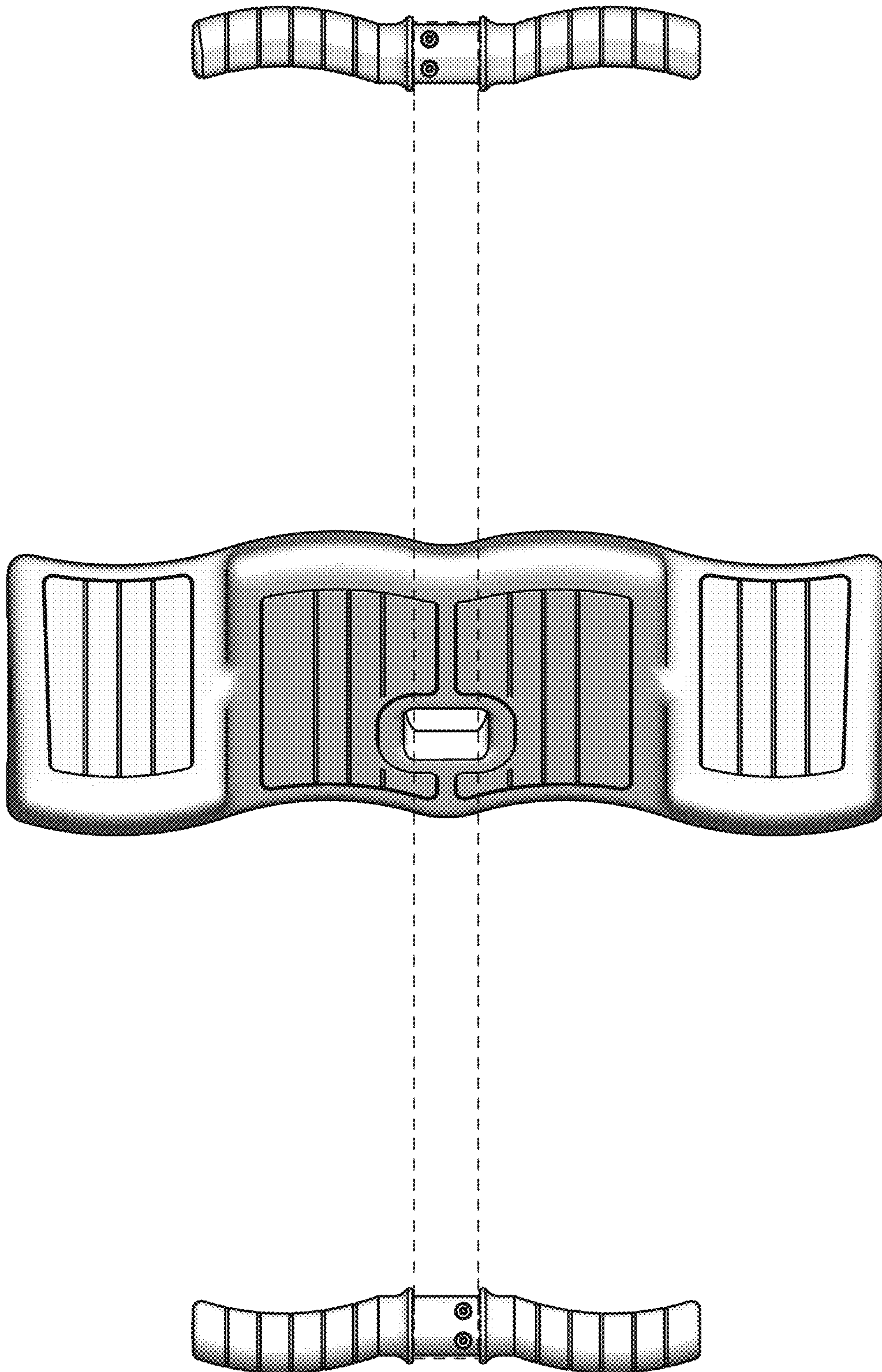


Fig. 4

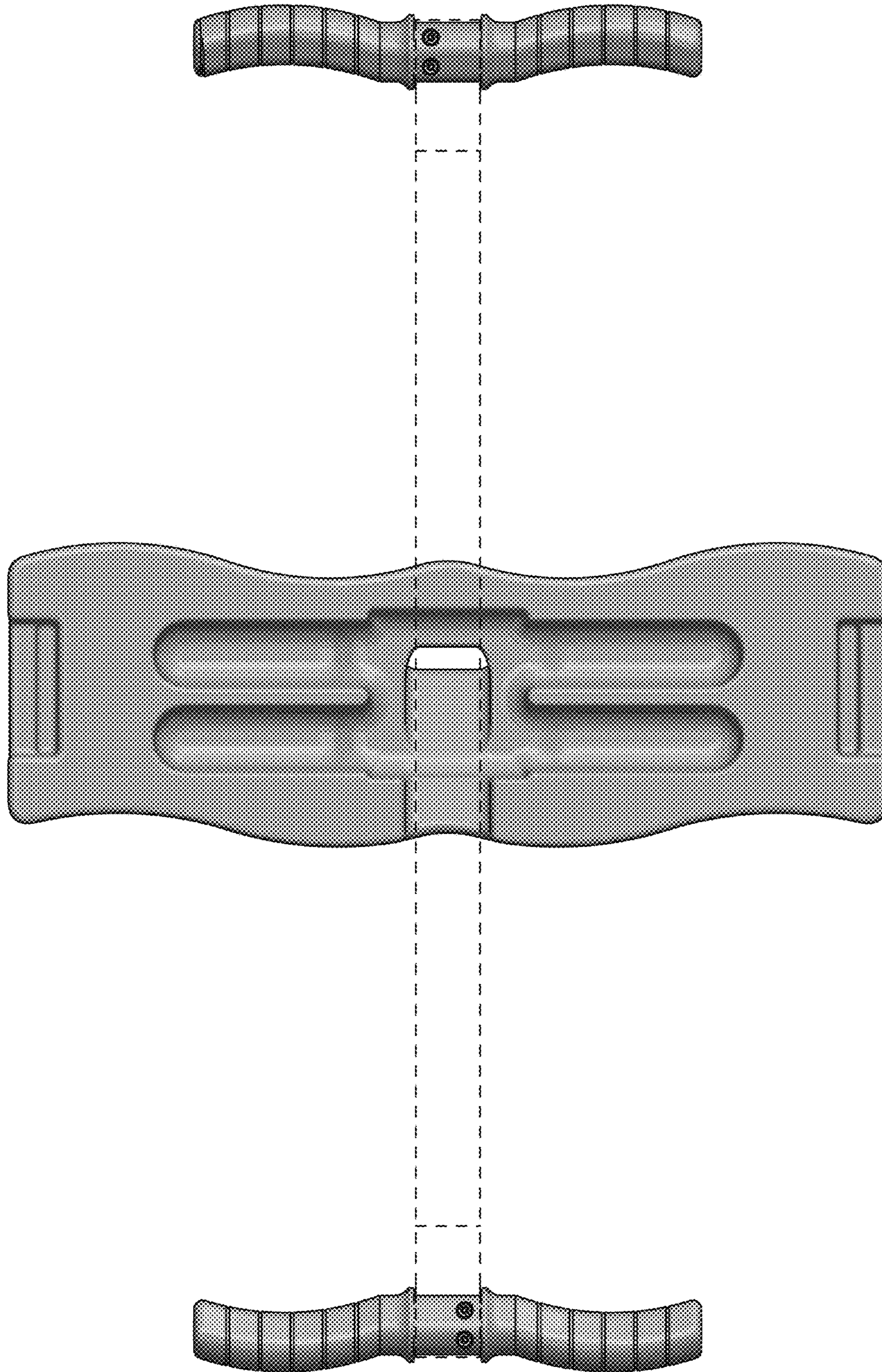


Fig. 5

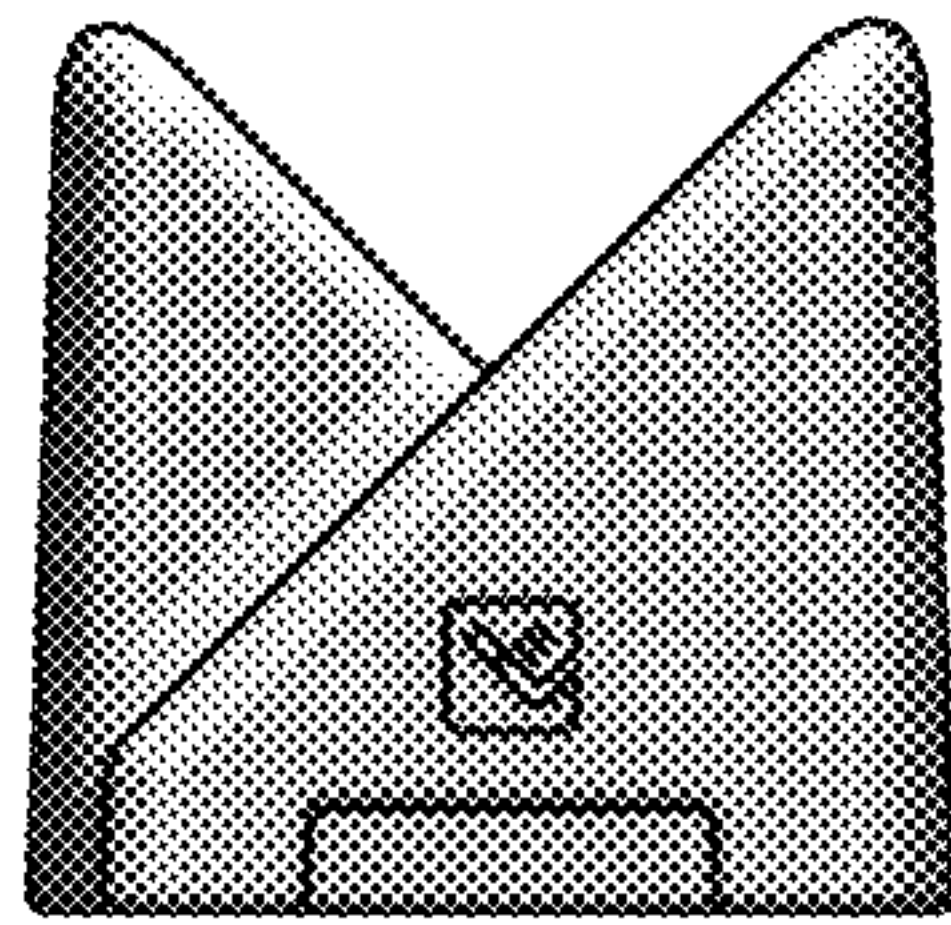
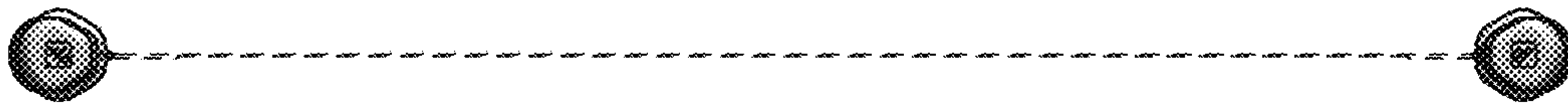


Fig. 6

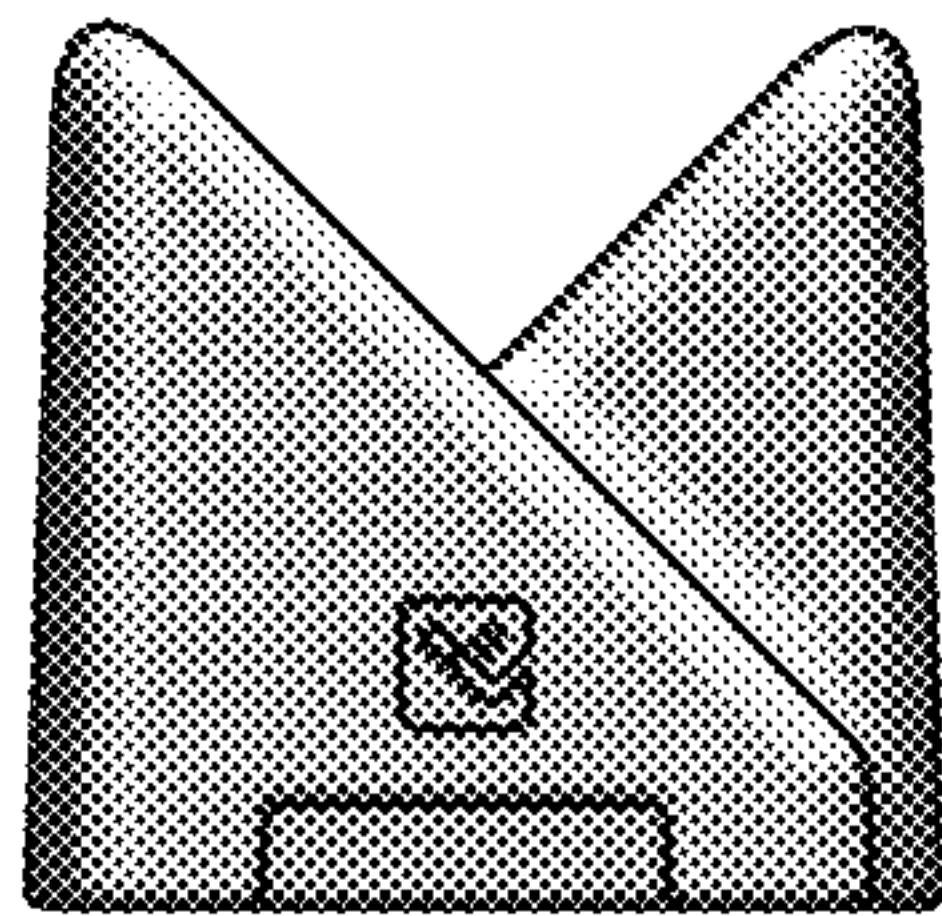


Fig. 7

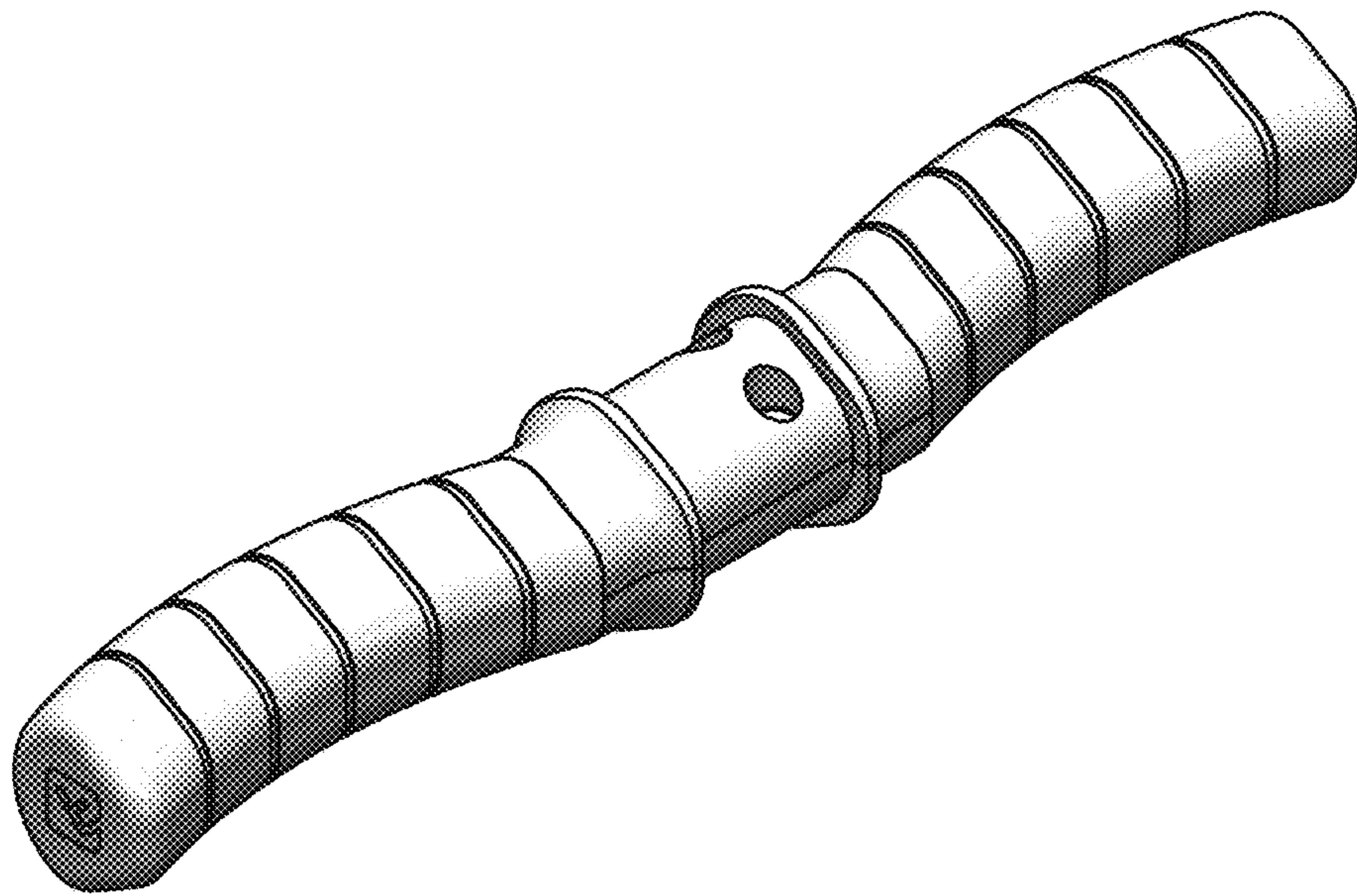


Fig. 8

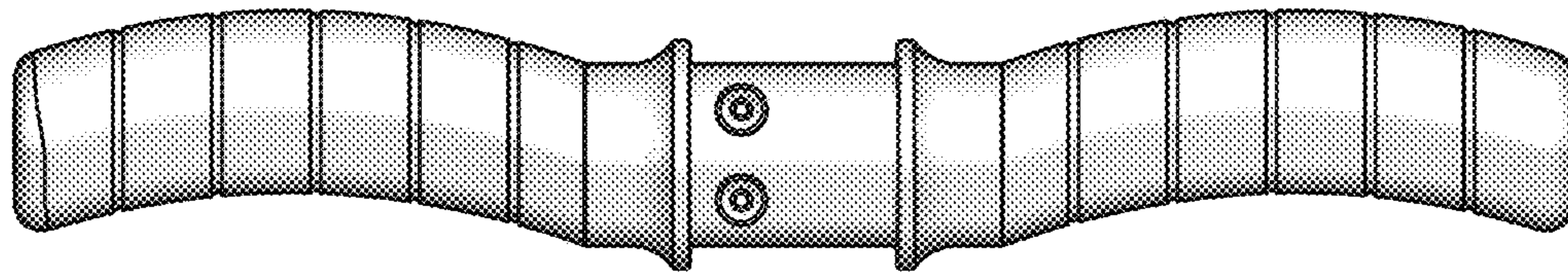


Fig. 9

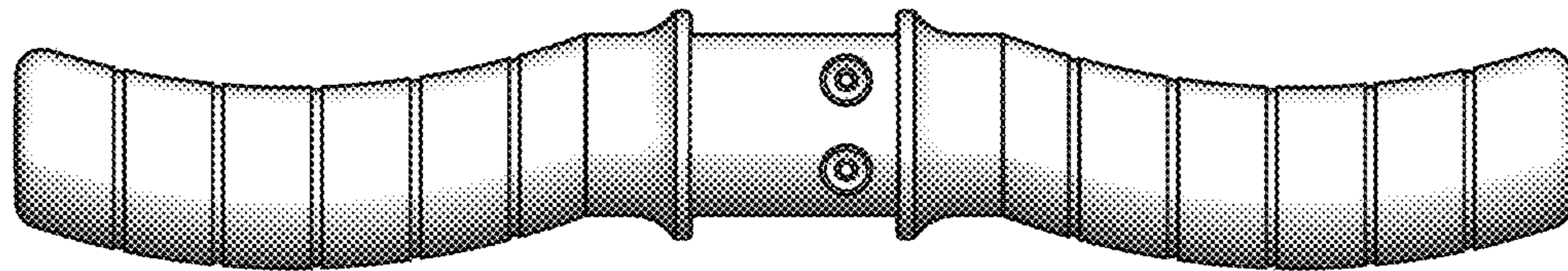


Fig. 10

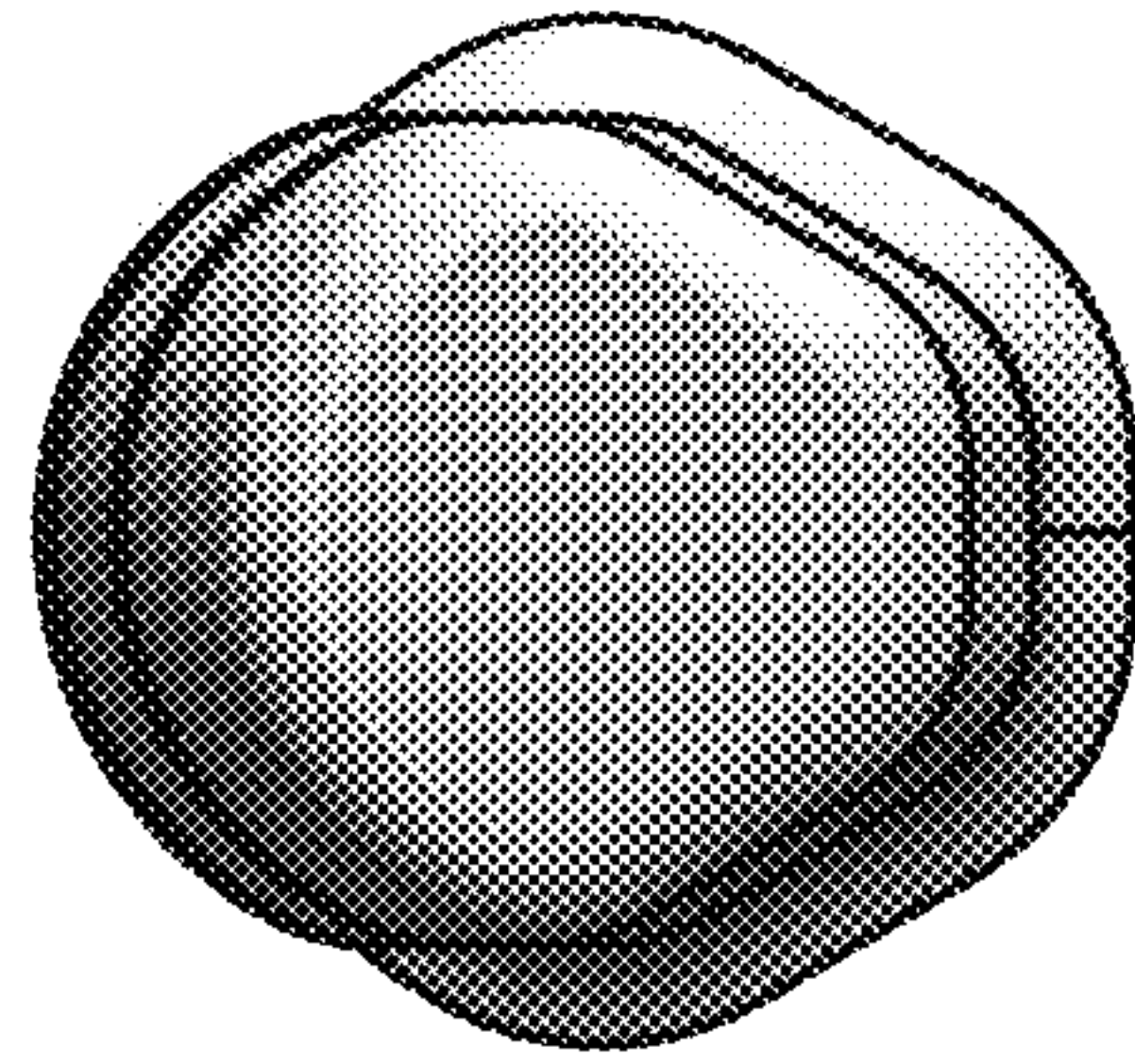


Fig. 11

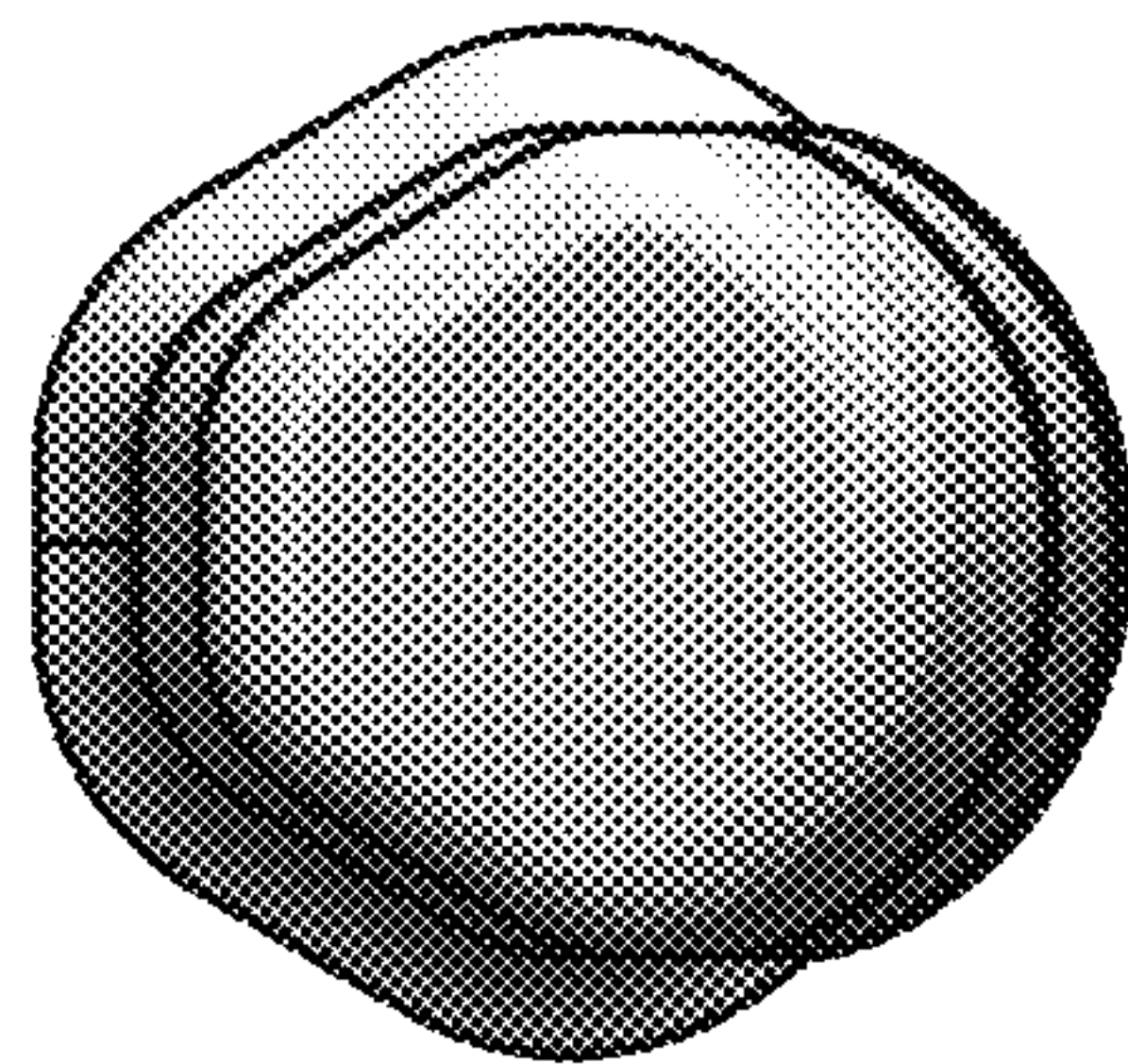


Fig. 12

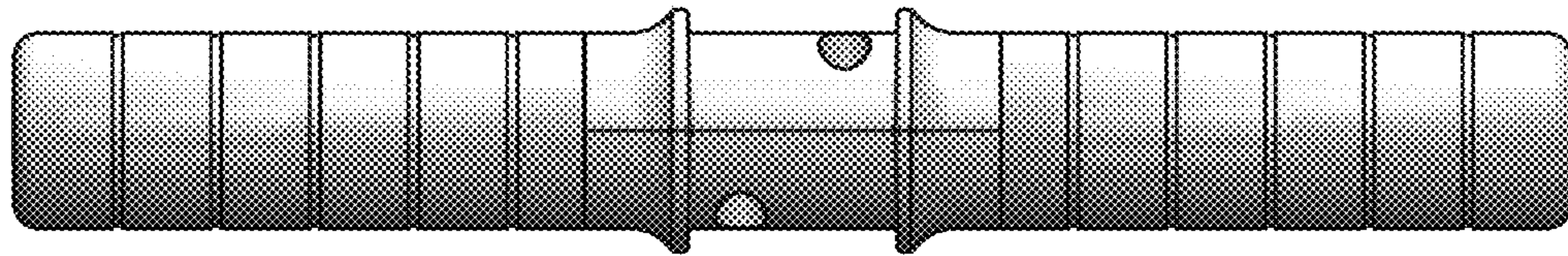


Fig. 13

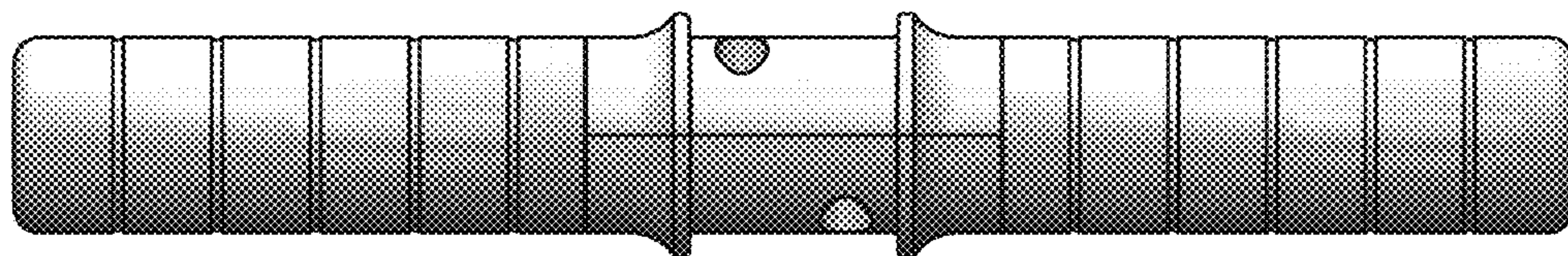


Fig. 14

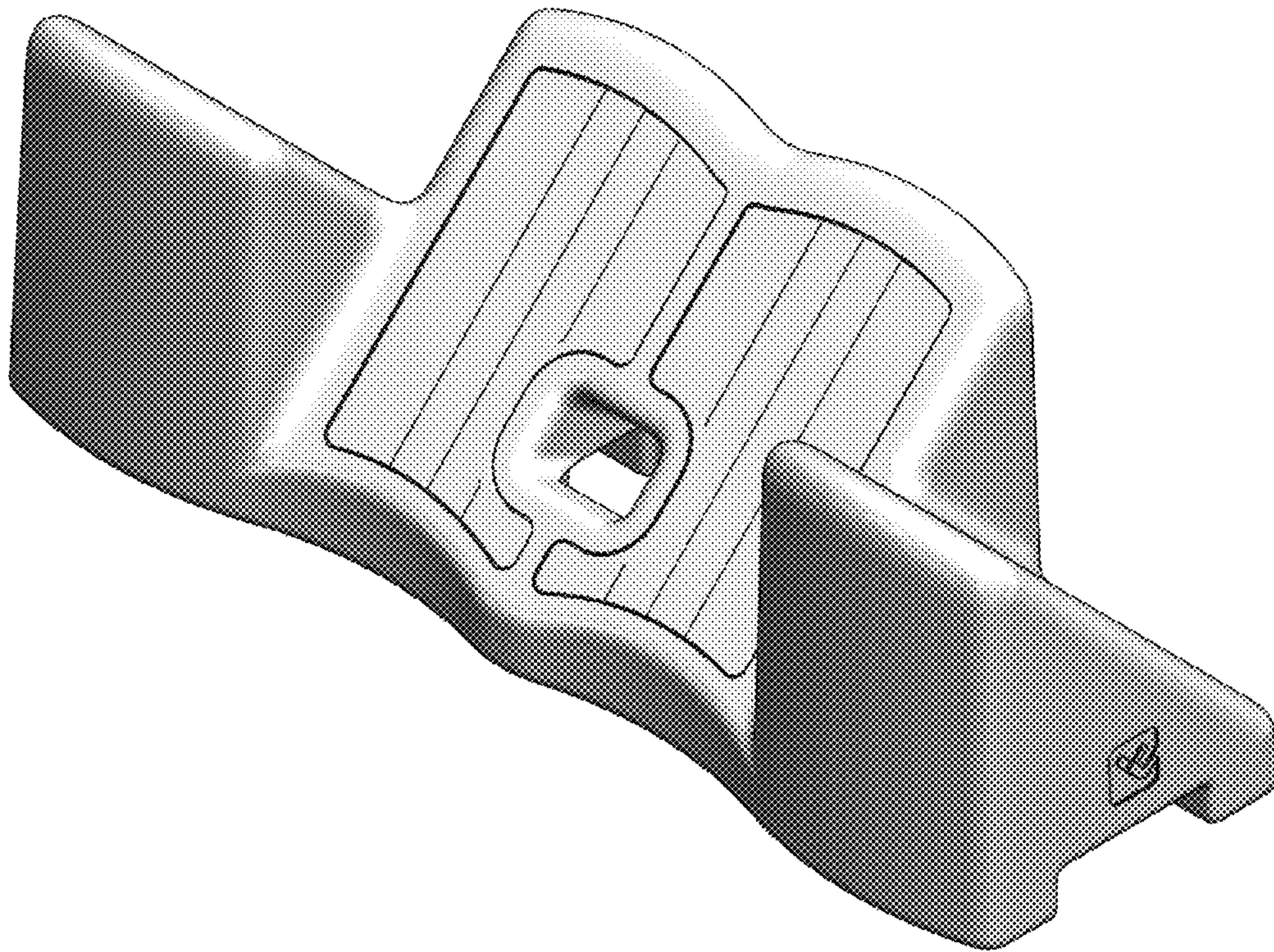


Fig. 15

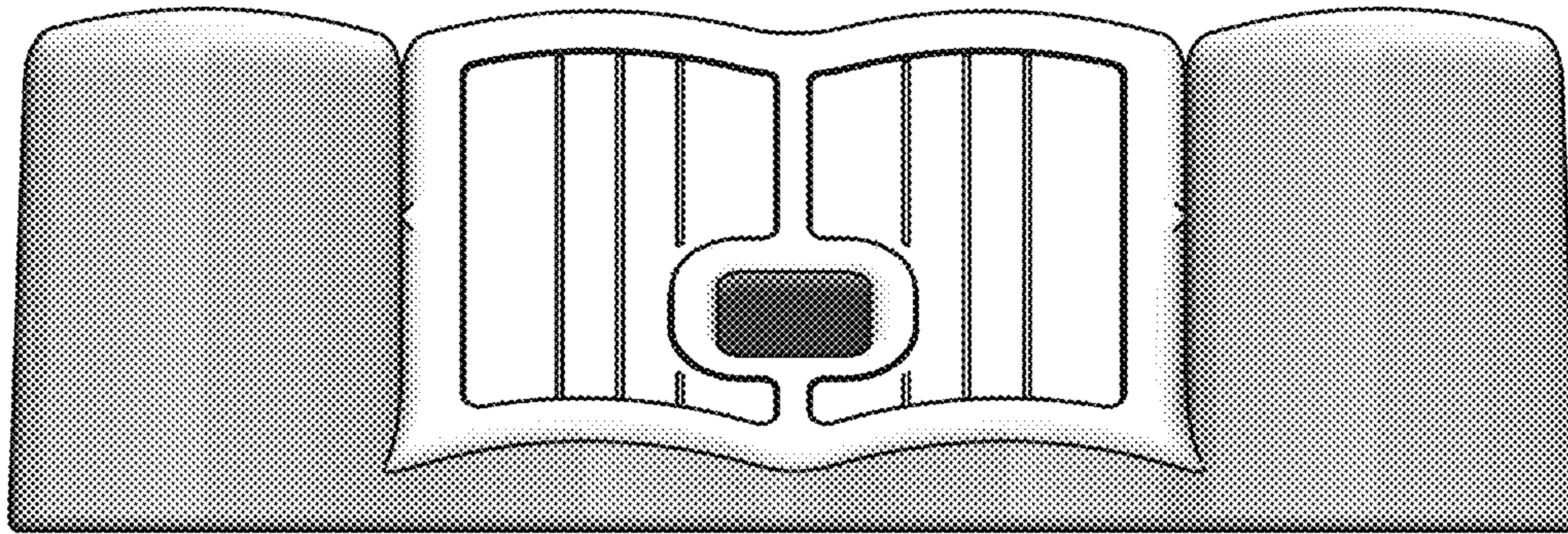


Fig. 16

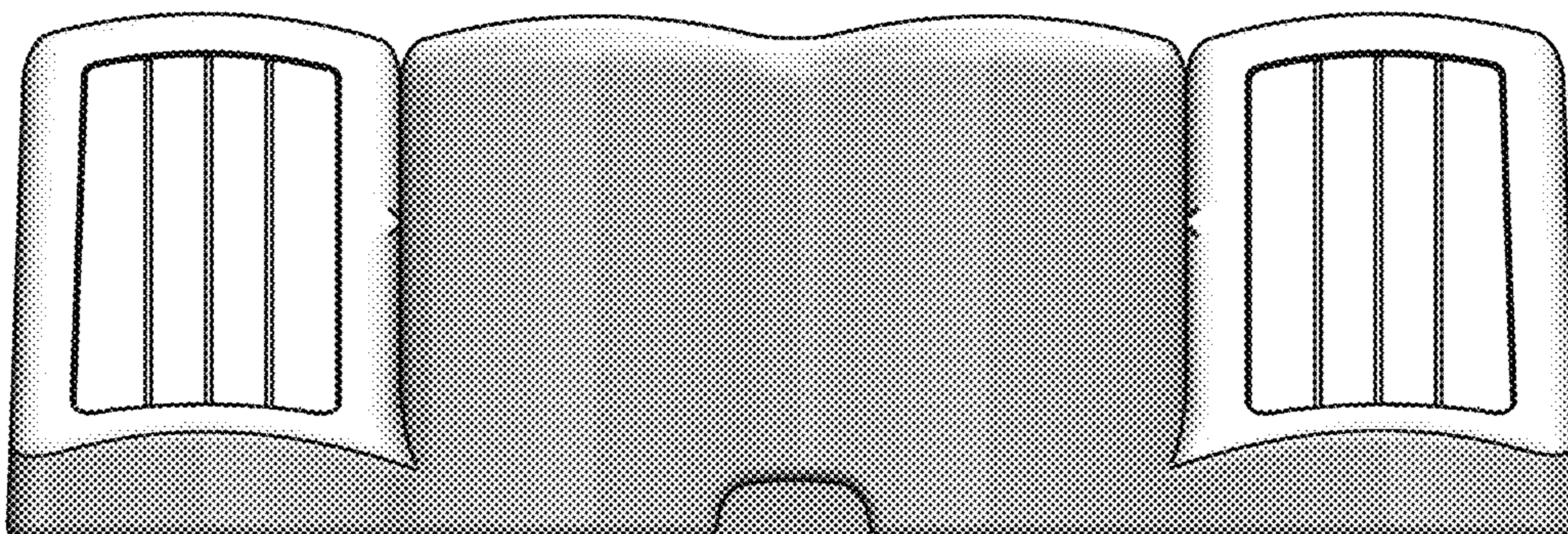


Fig. 17

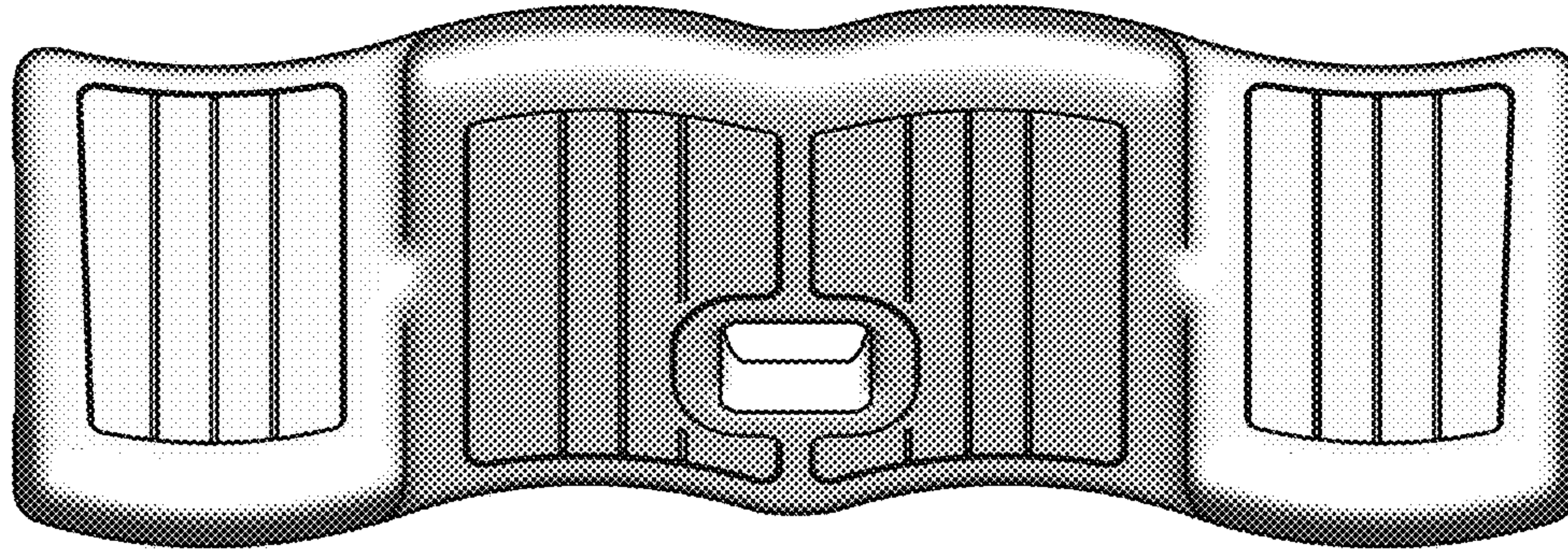


Fig. 18

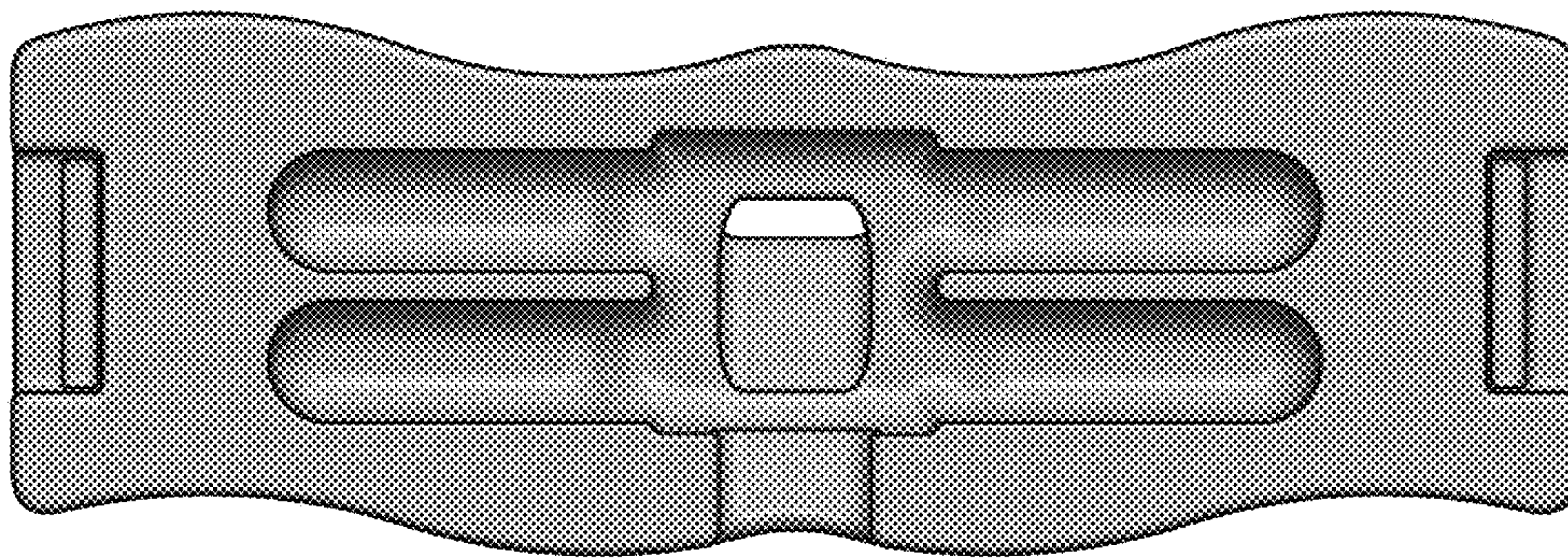


Fig. 19

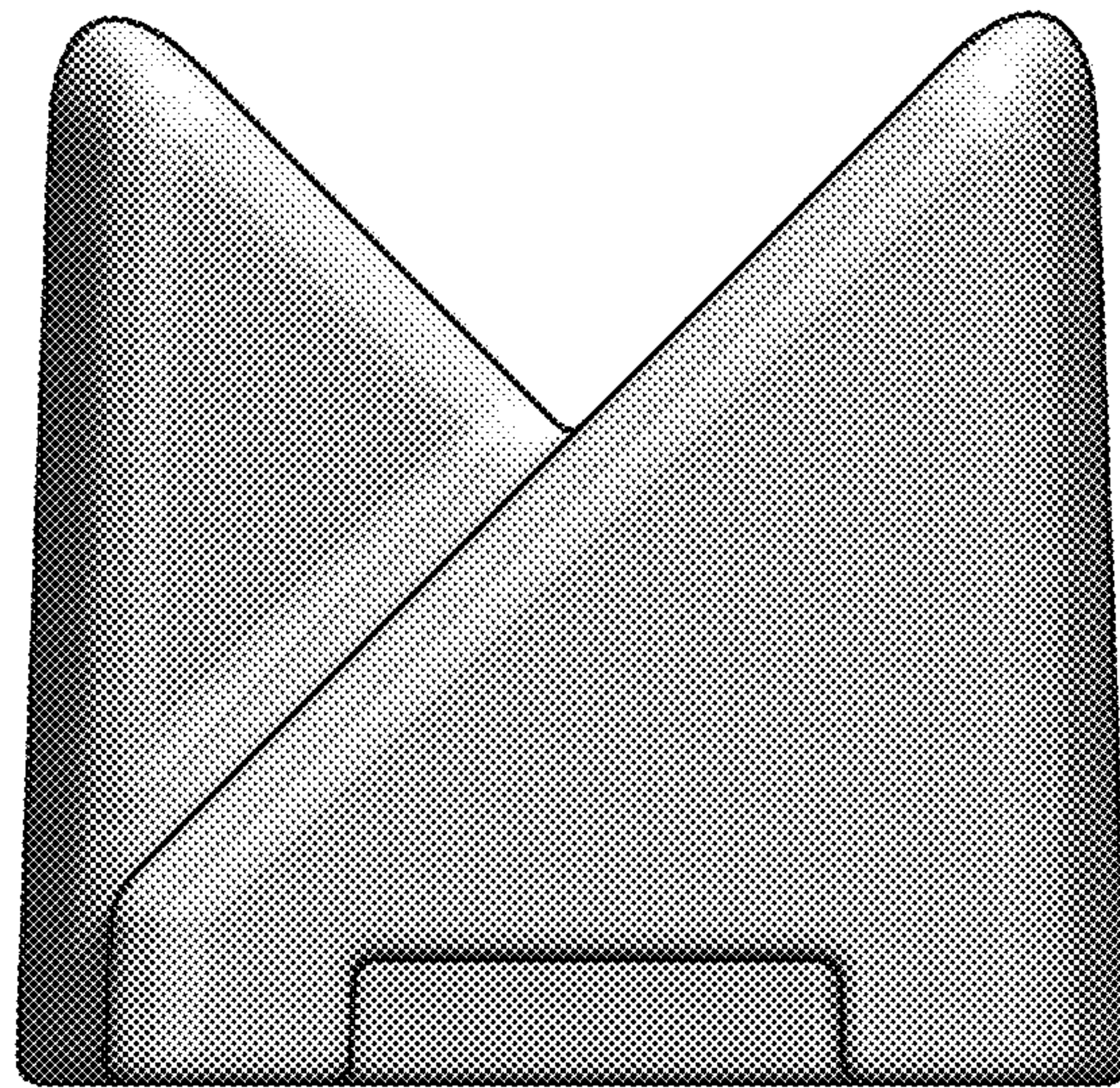


Fig. 20

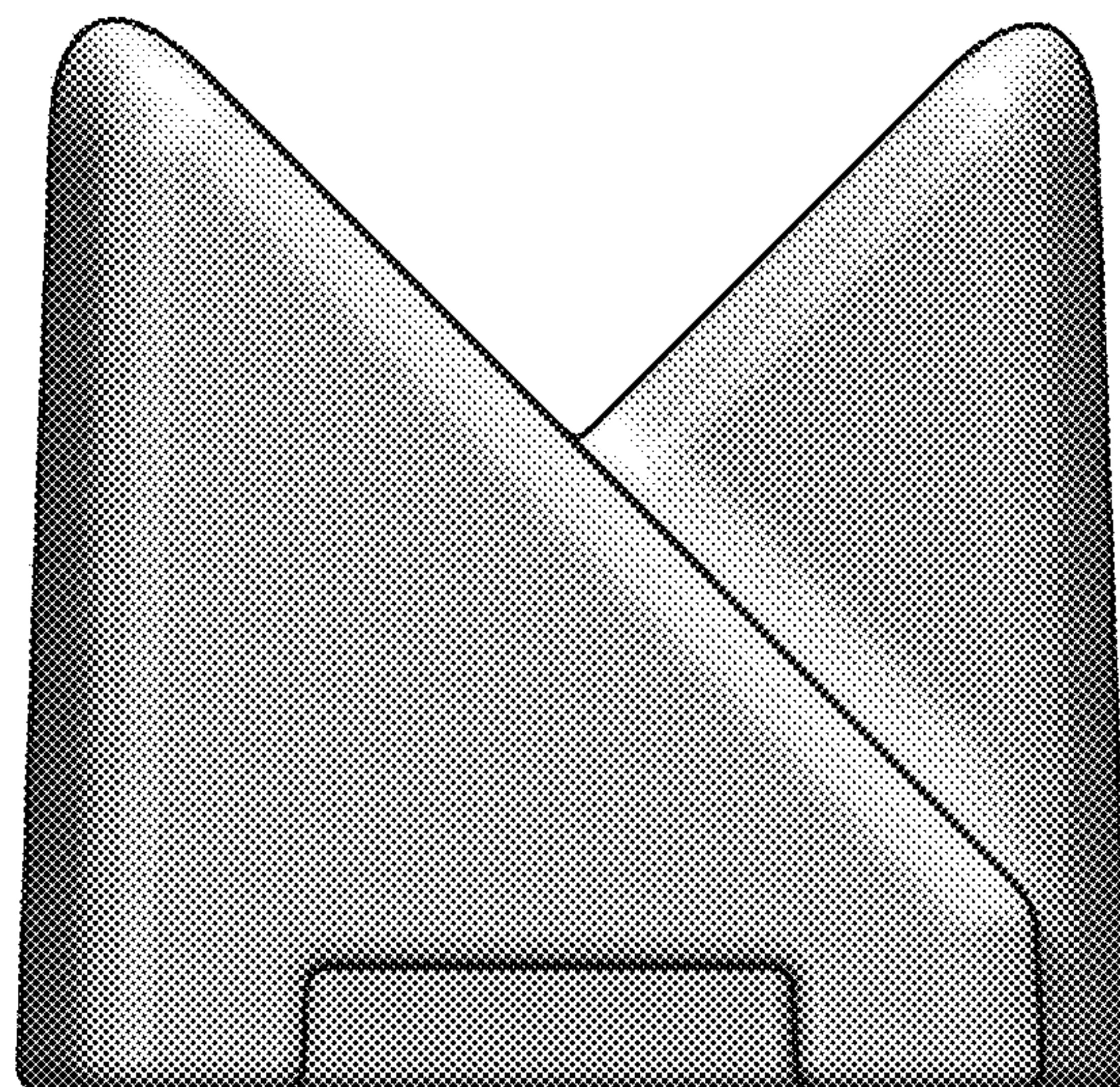


Fig. 21