



US00D820359S

(12) **United States Design Patent**
Deemer

(10) **Patent No.:** **US D820,359 S**
(45) **Date of Patent:** **** Jun. 12, 2018**

(54) **TOY CONSTRUCTION CONNECTOR KIT**

(71) Applicant: **Brett A. Deemer**, Blanchard, OK (US)

(72) Inventor: **Brett A. Deemer**, Blanchard, OK (US)

(**) Term: **15 Years**

(21) Appl. No.: **29/601,652**

(22) Filed: **Apr. 25, 2017**

(51) **LOC (11) Cl.** **21-01**

(52) **U.S. Cl.**
USPC **D21/484**

(58) **Field of Classification Search**
USPC D21/333, 373, 386, 389, 404, 468, 470,
D21/471, 475, 484-505; 446/69, 85,
446/102-128; 434/167, 208, 259, 403;
273/153, 156, 160; D8/354, 382
CPC A63H 33/04; A63H 33/06; A63H 33/062;
A63H 33/08; A63H 33/086; A63H
33/088; A63H 33/10; A63H 33/101;
A63H 33/108; A63H 33/12; A63F 9/12;
A63F 9/1224
See application file for complete search history.

5,121,526 A * 6/1992 Burkard A63H 33/10
24/336

5,378,185 A * 1/1995 Ban A63H 33/08
446/120

5,391,103 A * 2/1995 Mak A63H 33/06
446/124

5,803,782 A 9/1998 Selton

D409,679 S * 5/1999 Jensen D21/501

5,941,527 A * 8/1999 Selton A63F 3/00214
273/160

6,116,981 A * 9/2000 Zheng A63H 33/065
446/106

D437,011 S * 1/2001 Chang D21/501

D437,622 S * 2/2001 Chang D21/501

D442,236 S * 5/2001 Chang D21/501

D442,647 S * 5/2001 Chang D21/501

D543,841 S * 6/2007 Heindl D8/382

D640,533 S * 6/2011 Austro D8/382

D681,430 S * 5/2013 Heindl D8/382

(Continued)

Primary Examiner — Cynthia M Chin
(74) *Attorney, Agent, or Firm* — Dunlap Codding, P.C.

(57) **CLAIM**

The ornamental design for a toy construction connector kit, as shown and described.

DESCRIPTION

FIG. 1 is a perspective view of a toy construction connector kit showing my new design.

FIG. 2 is a front elevational view thereof, which is a mirror image of a rear elevational view thereof.

FIG. 3 is a side elevational view thereof.

FIG. 4 is a side elevational view of a side opposite that shown in FIG. 3.

FIG. 5 is a top plan view thereof; and,

FIG. 6 is a bottom plan view thereof.

The broken lines in the drawings are for the purpose of illustrating environment only and form no part of the claimed design.

1 Claim, 6 Drawing Sheets

(56) **References Cited**

U.S. PATENT DOCUMENTS

1,288,226 A * 12/1918 Schrader A63H 33/105
446/122

1,894,605 A * 1/1933 Wright A63H 33/04
446/122

3,153,299 A 10/1964 Jennings

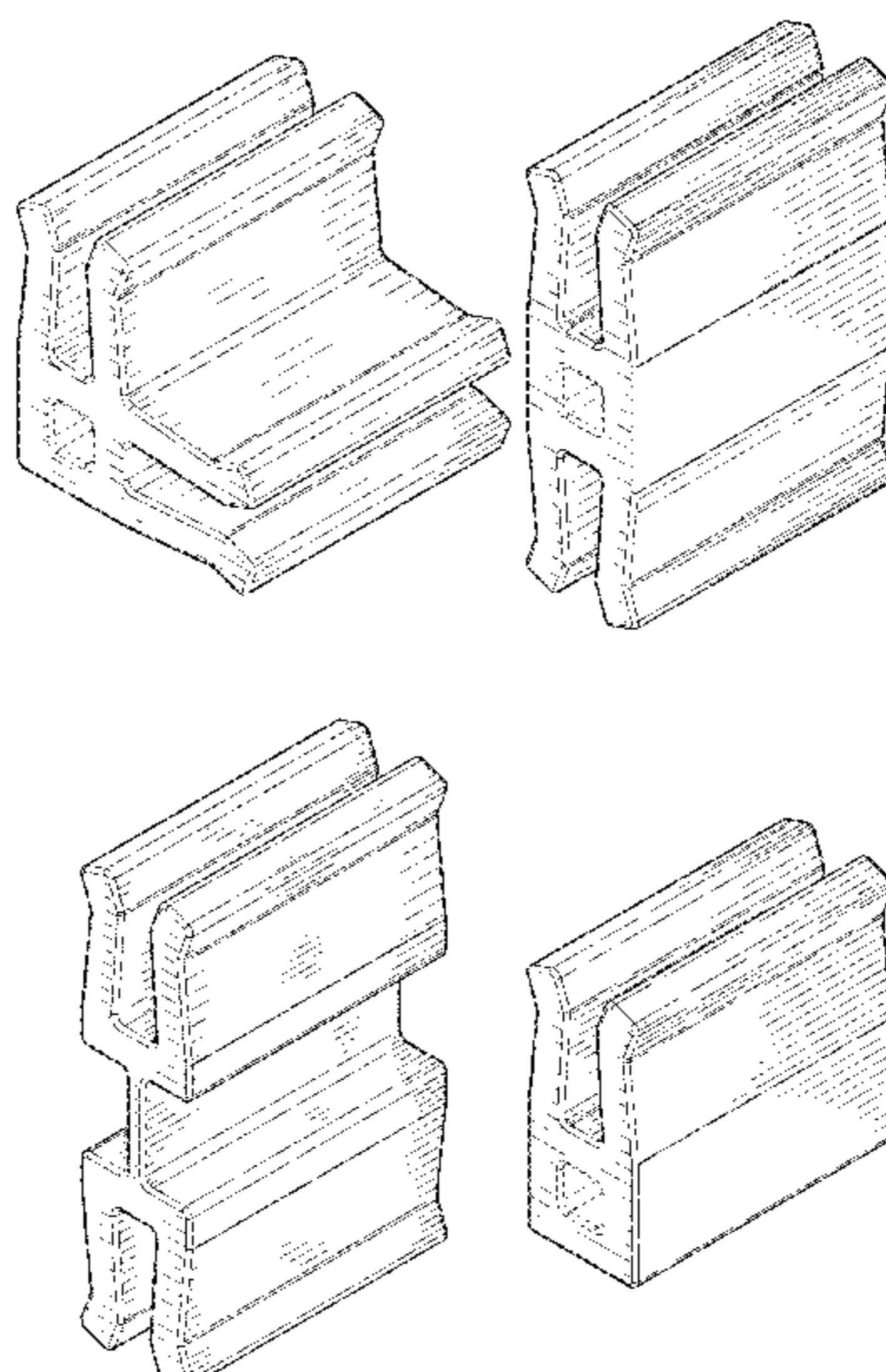
3,386,590 A * 6/1968 Gretz F21V 35/00
211/182

3,660,928 A * 5/1972 Michel A63H 33/084
446/124

3,663,717 A 5/1972 Coster

3,838,535 A * 10/1974 Larws A63H 33/084
446/124

3,882,630 A * 5/1975 Bianco A63H 33/088
446/106



(56)

References Cited

U.S. PATENT DOCUMENTS

D689,956 S *	9/2013	Chan	D21/501
D737,673 S *	9/2015	McShane	D8/382
D765,797 S *	9/2016	Banik	D21/484
2010/0151765 A1 *	6/2010	Kwak	A63H 33/08 446/124

* cited by examiner

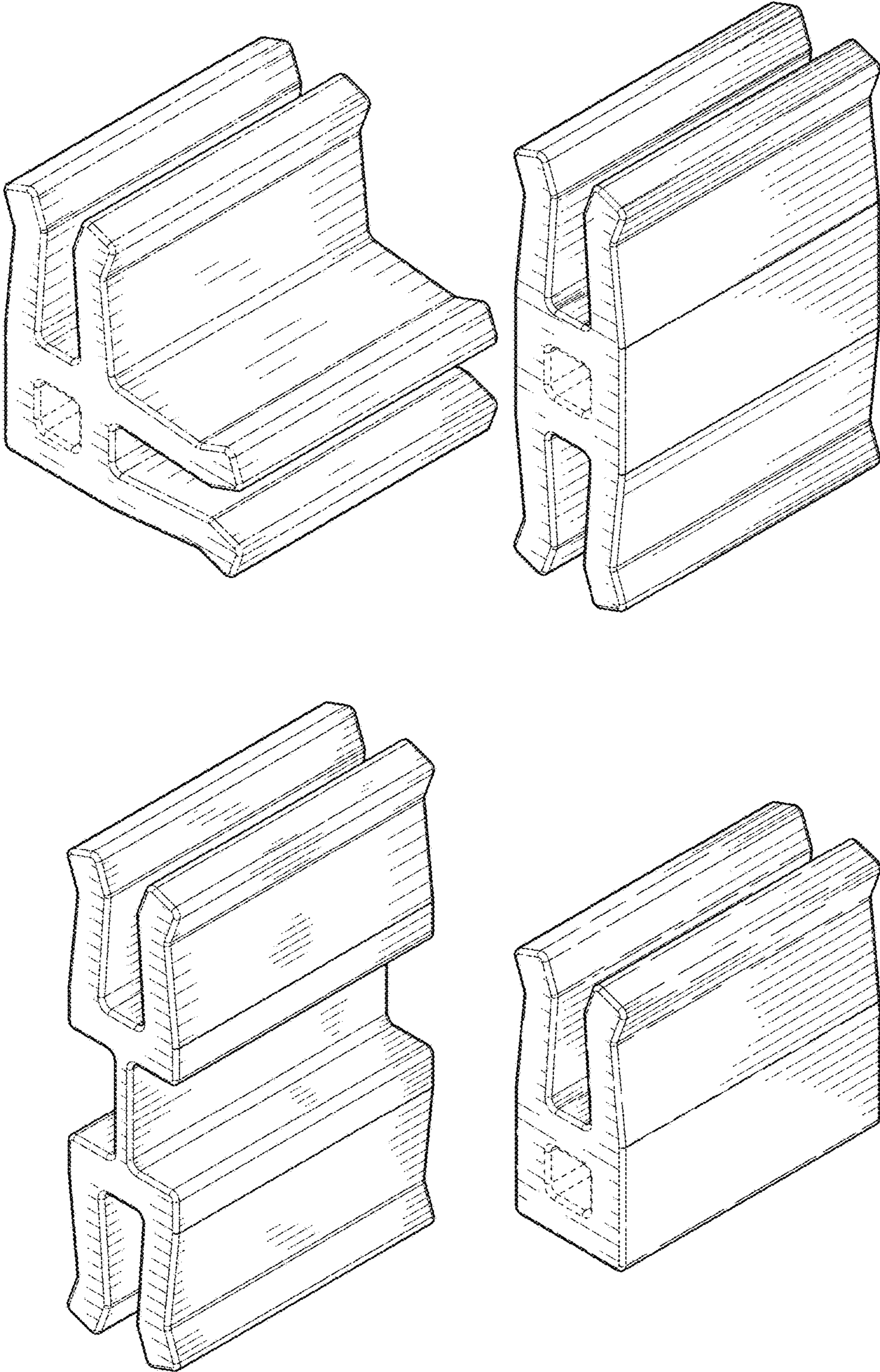


FIG. 1

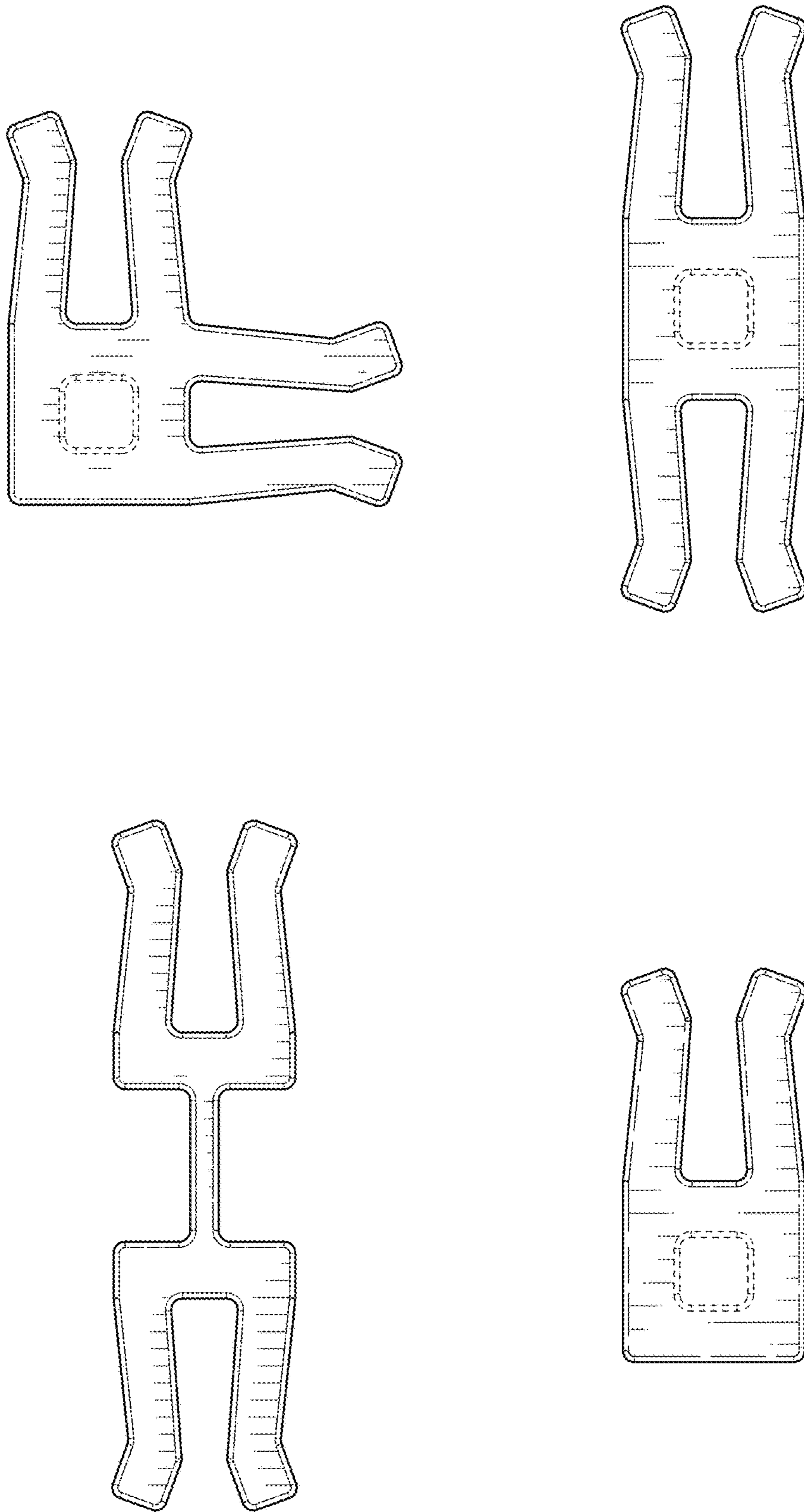


FIG. 2



FIG. 3

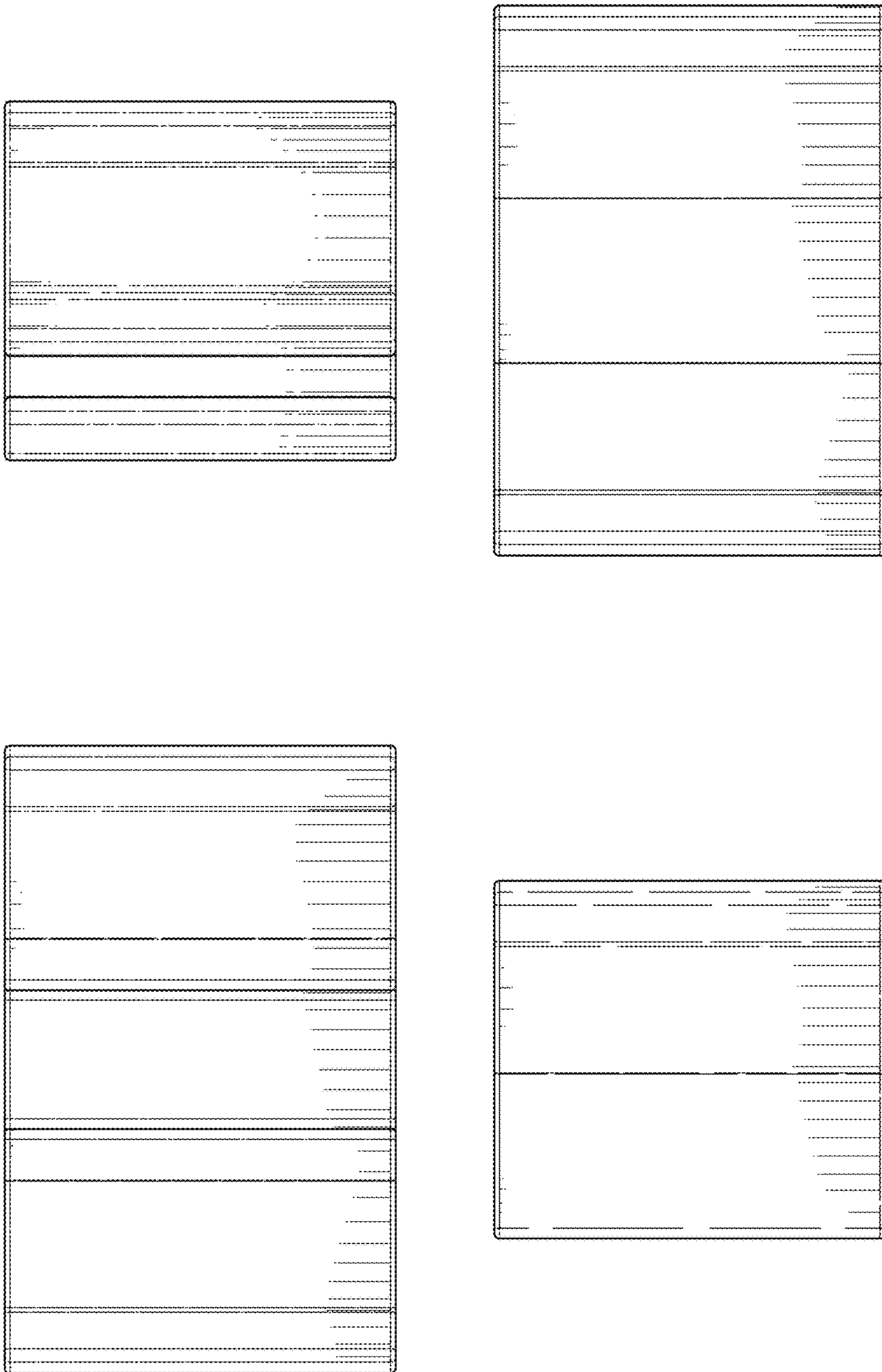


FIG. 4

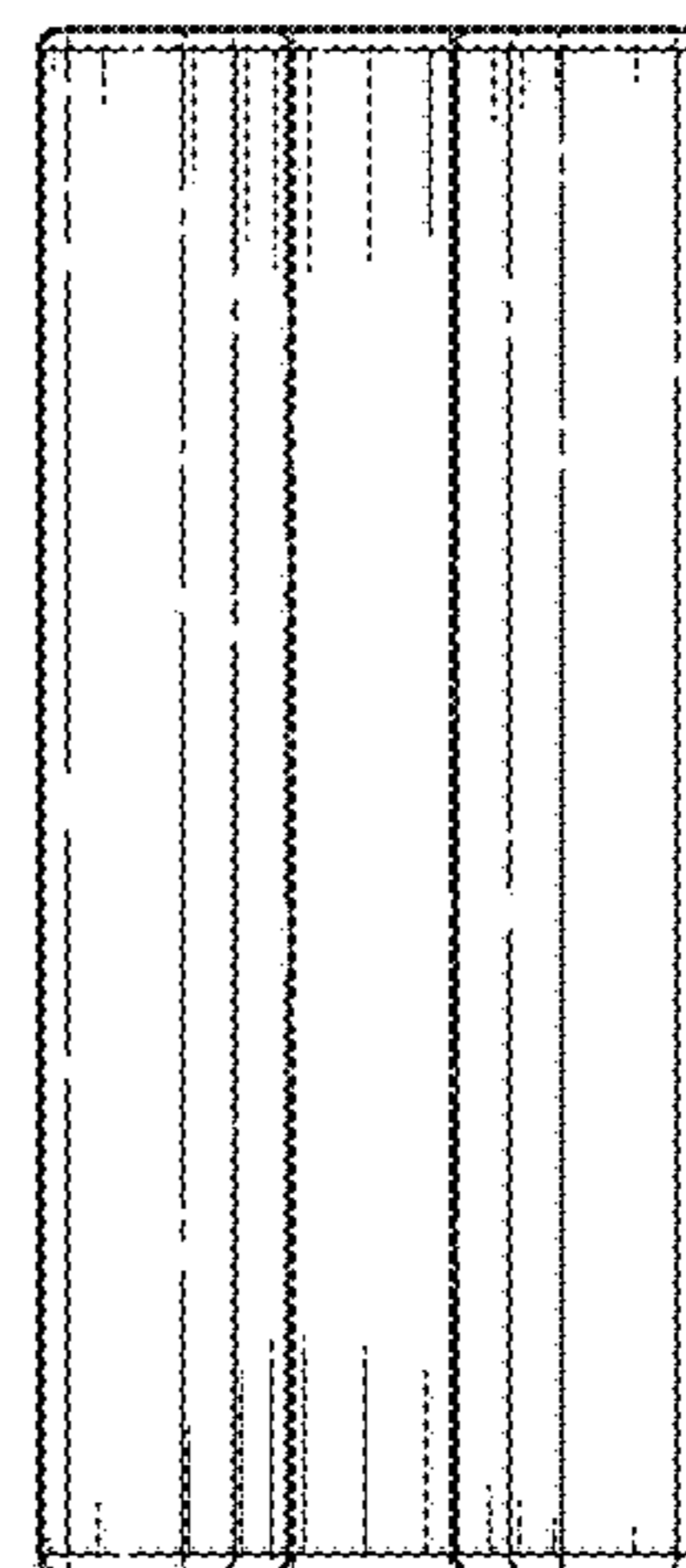
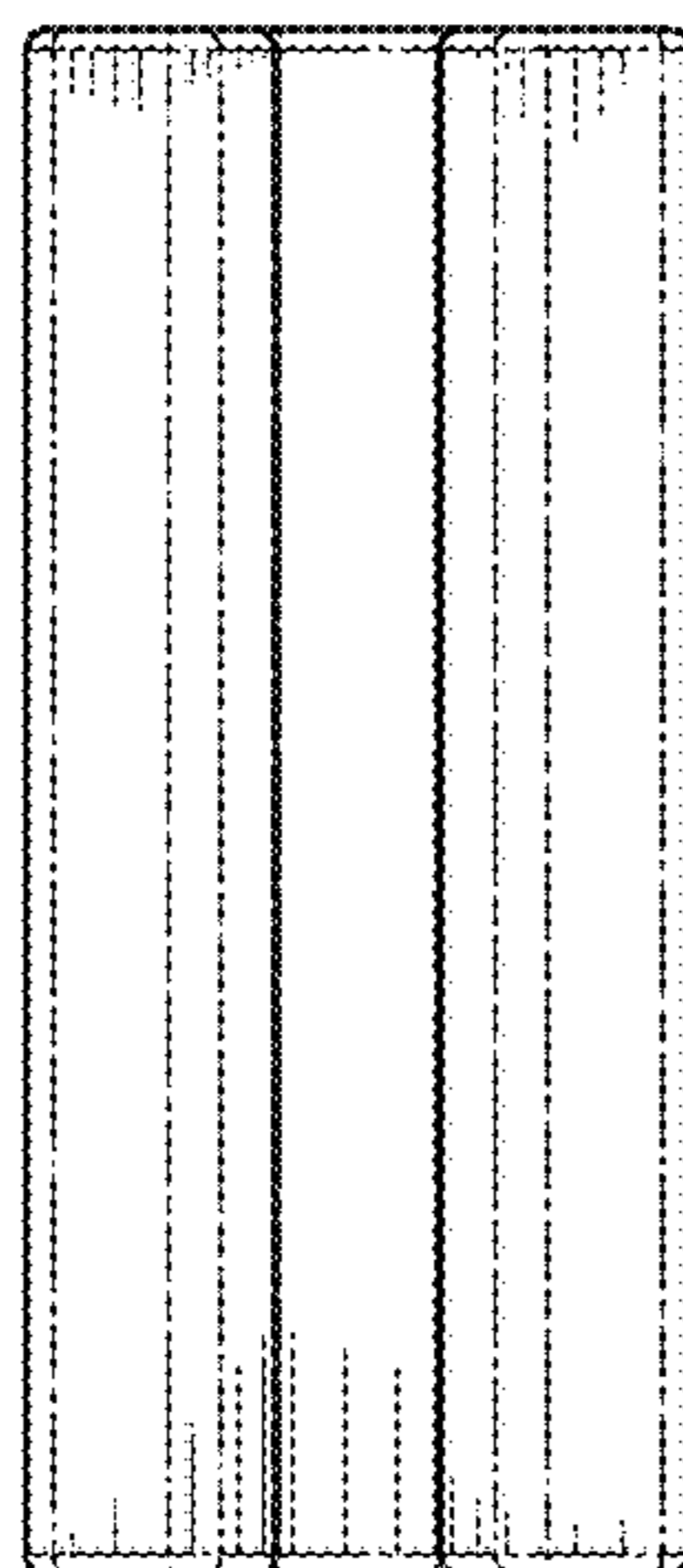
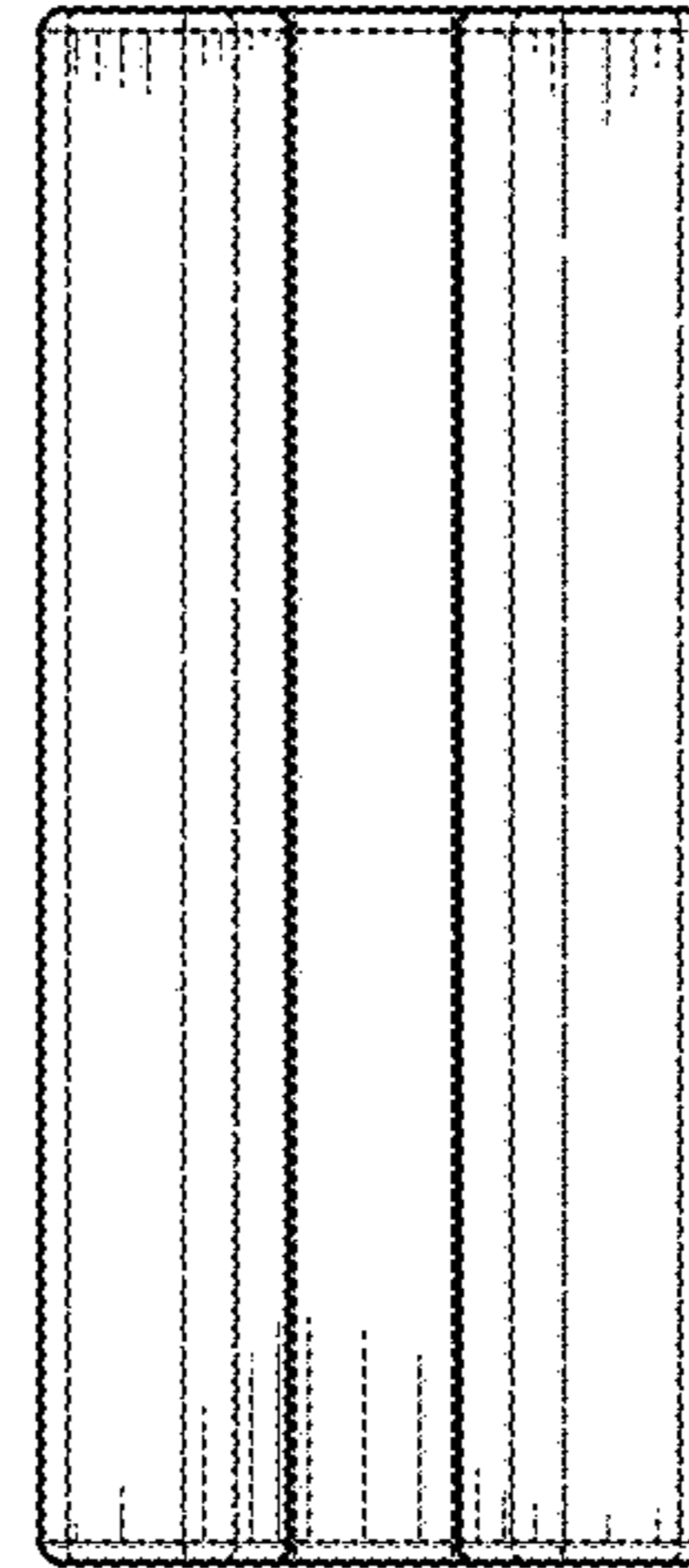
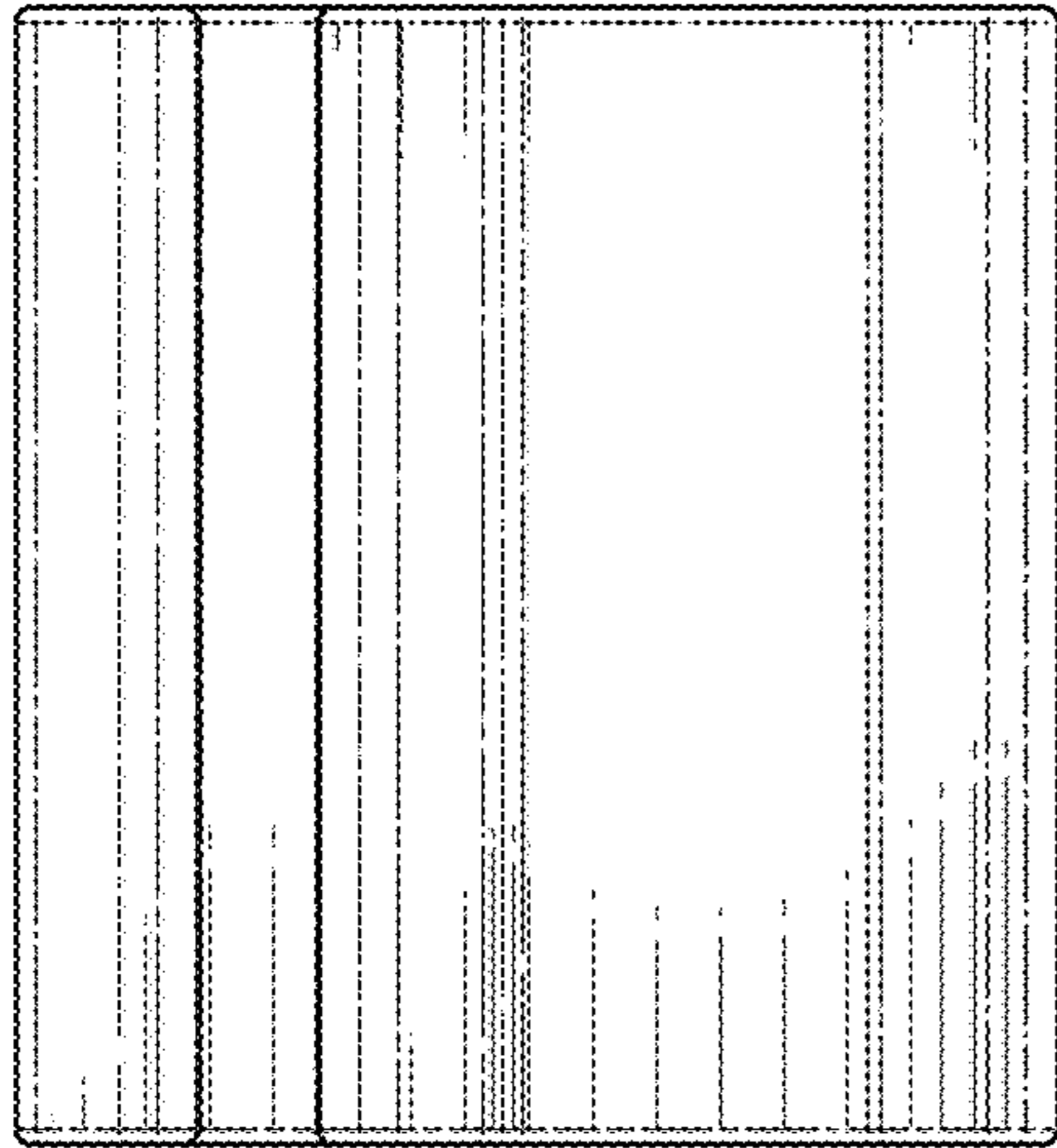


FIG. 5

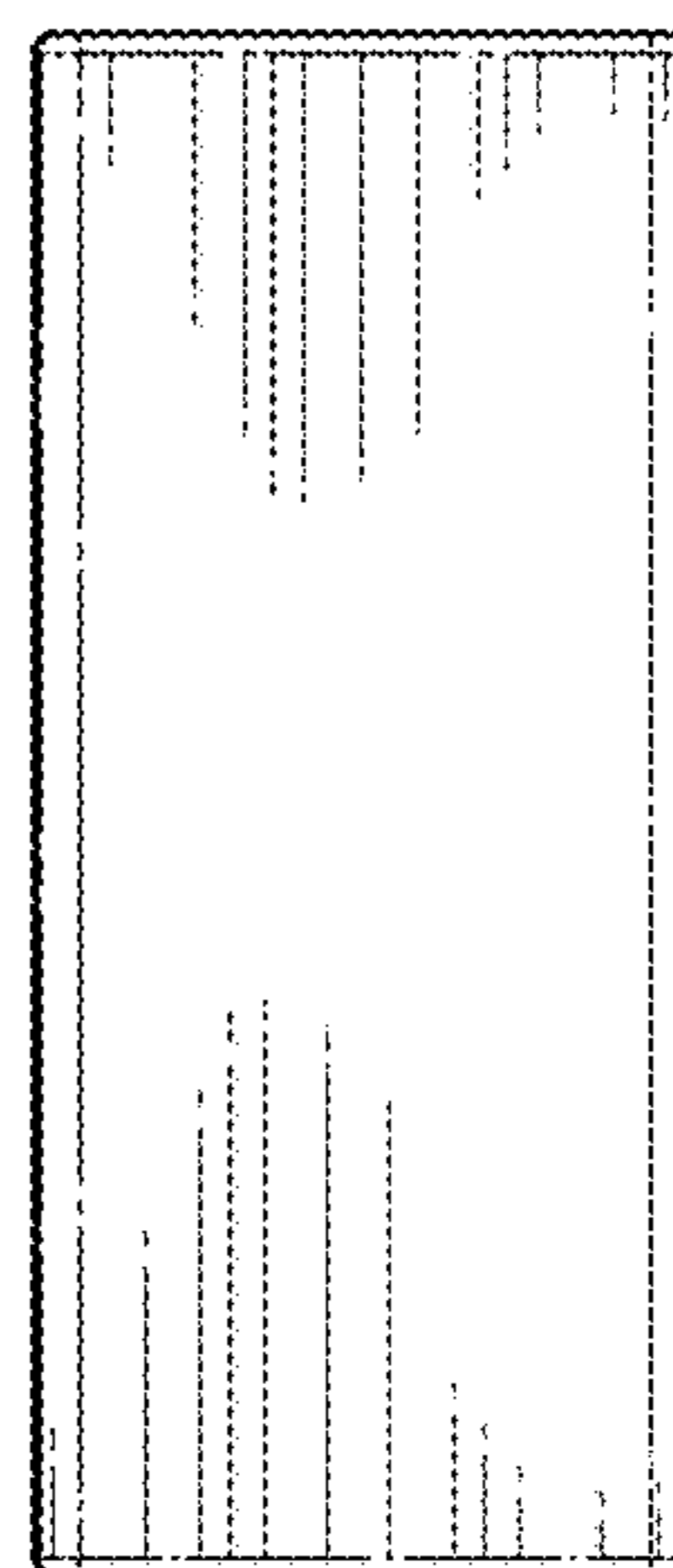
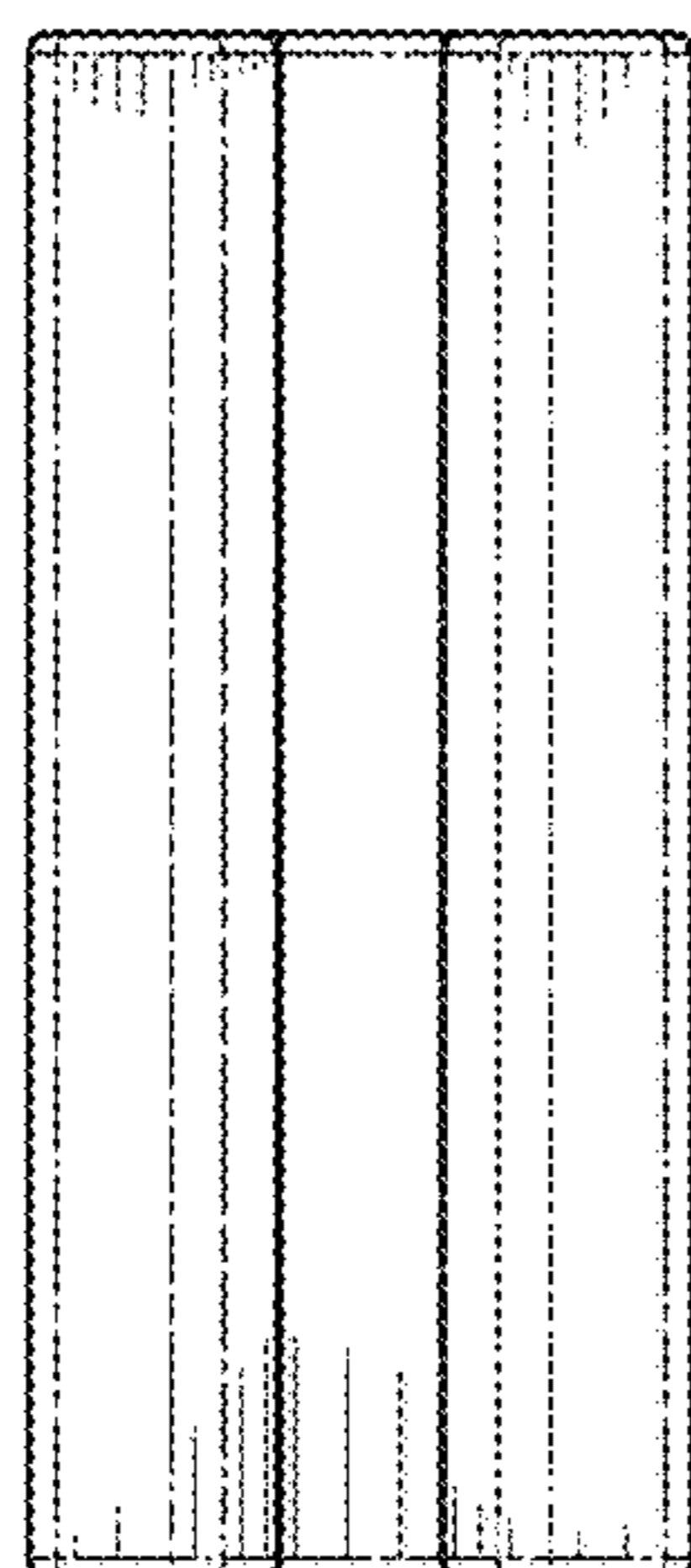
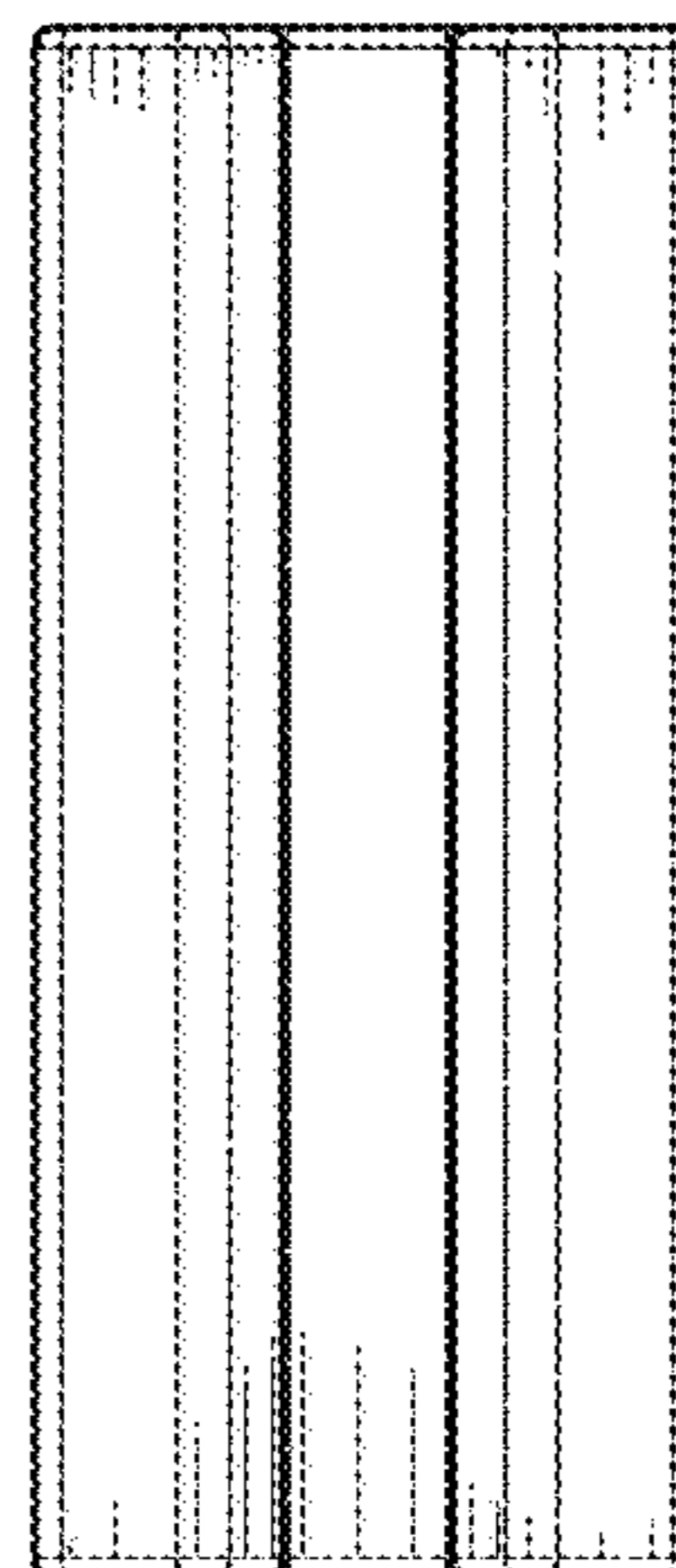
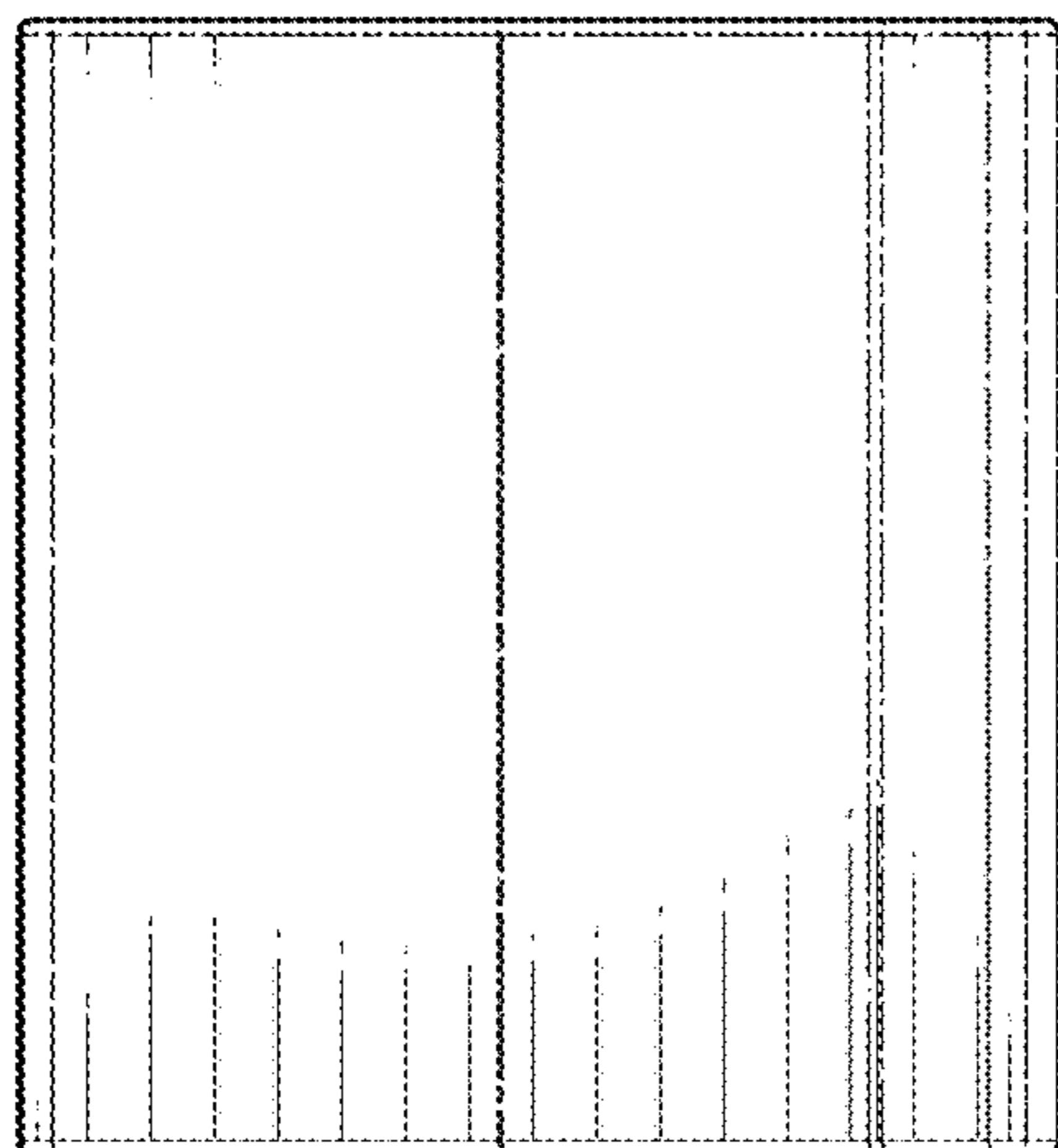


FIG. 6