



US00D820356S

(12) **United States Design Patent**
Mantis

(10) **Patent No.:** **US D820,356 S**
(45) **Date of Patent:** **** Jun. 12, 2018**

(54) **MICROPHONE ERASER**
(71) Applicant: **Kikkerland Design, Inc.**, New York,
NY (US)
(72) Inventor: **Steph Mantis**, New York, NY (US)
(73) Assignee: **Kikkerland Design, Inc.**, New York,
NY (US)
(**) Term: **15 Years**

5,144,677 A * 9/1992 Asakura H04R 1/086
381/150
D397,119 S * 8/1998 Okon D14/228
D446,205 S * 8/2001 Ming-Cheng D14/228
D449,041 S * 10/2001 Koike D14/228
D457,517 S * 5/2002 Chung D14/228
D462,343 S * 9/2002 Wang D14/225
D475,699 S * 6/2003 Thornton D14/228
D479,836 S * 9/2003 Thornton D14/228
7,204,655 B2 * 4/2007 Tsang B43K 19/02
401/195
D566,574 S * 4/2008 Ayinde D7/515
D576,498 S * 9/2008 Woods D9/600

(Continued)

(21) Appl. No.: **29/566,827**
(22) Filed: **Jun. 2, 2016**
(51) **LOC (11) Cl.** **19-06**
(52) **U.S. Cl.**
USPC **D19/189**
(58) **Field of Classification Search**
USPC D9/436, 446, 723; D14/411, 225-229;
D19/115-204, 81-85, 66, 70, 71
CPC ... B43K 5/00; B43K 7/00; B43K 7/12; B43K
8/04; B43K 8/06; B43K 19/00; B43K
19/02; B43K 19/14; B43K 24/08; H04R
1/083
See application file for complete search history.

OTHER PUBLICATIONS

Kikkerland Microphone Erasers, Set of 3, (ER47), \$11.00, ASIN
B01BEHGQ0A, 3 pages, Amazon.com, date first available on
Amazon Feb. 12, 2016.*

Primary Examiner — Elizabeth Albert
(74) *Attorney, Agent, or Firm* — Charles H Jew

(57) **CLAIM**

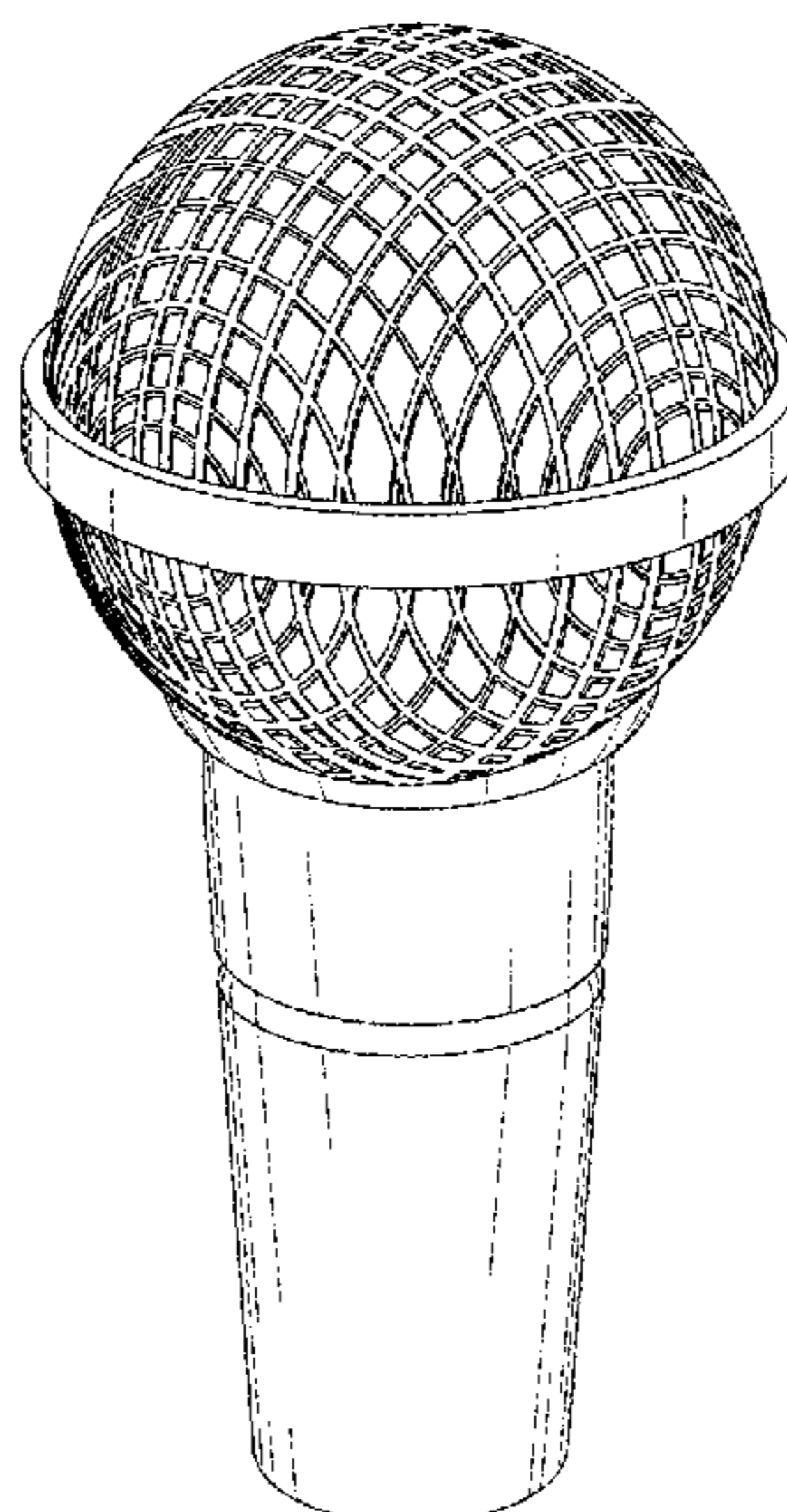
The ornamental design for a microphone eraser topper, as
shown and described.

DESCRIPTION

FIG. 1 is a front elevational view of a microphone eraser
topper showing my design;
FIG. 2 is a rear elevational view thereof;
FIG. 3 is a left side elevational view thereof;
FIG. 4 is a right side elevational view thereof;
FIG. 5 is a top plan view thereof;
FIG. 6 is a bottom plan view thereof;
FIG. 7 is a front perspective view thereof; and,
FIG. 8 is a front perspective view thereof showing the
microphone eraser topper covering a pencil.
The broken lines in FIG. 8 are included to show environ-
mental matter that forms no part of the claimed design.

(56) **References Cited**
U.S. PATENT DOCUMENTS
1,307,195 A * 6/1919 Gardner B43K 5/04
401/151
1,686,188 A * 10/1928 Tipton B01L 3/0265
222/209
2,132,942 A * 10/1938 Forsyth B43K 29/02
15/427
2,148,684 A * 2/1939 Isidor B43K 29/02
15/427
D247,706 S * 4/1978 Armstrong D14/228
4,694,499 A * 9/1987 Bartlett H04R 1/38
381/160
D310,368 S * 9/1990 Derhaag D14/225

1 Claim, 2 Drawing Sheets



(56)

References Cited

U.S. PATENT DOCUMENTS

D585,434 S *	1/2009	Ganley	D14/225
D619,619 S *	7/2010	Lee	D14/228
8,218,809 B2 *	7/2012	Wilson	H04R 1/08 381/388
9,113,116 B1 *	8/2015	Al-Saffar	H04N 5/645
D774,022 S *	12/2016	Huang	D14/209.1
9,521,477 B2 *	12/2016	Levinsohn	G09F 23/00
2009/0038114 A1 *	2/2009	Chen	H04R 1/083 16/110.1
2011/0054922 A1 *	3/2011	Gaines	G06Q 30/02 705/1.1

* cited by examiner

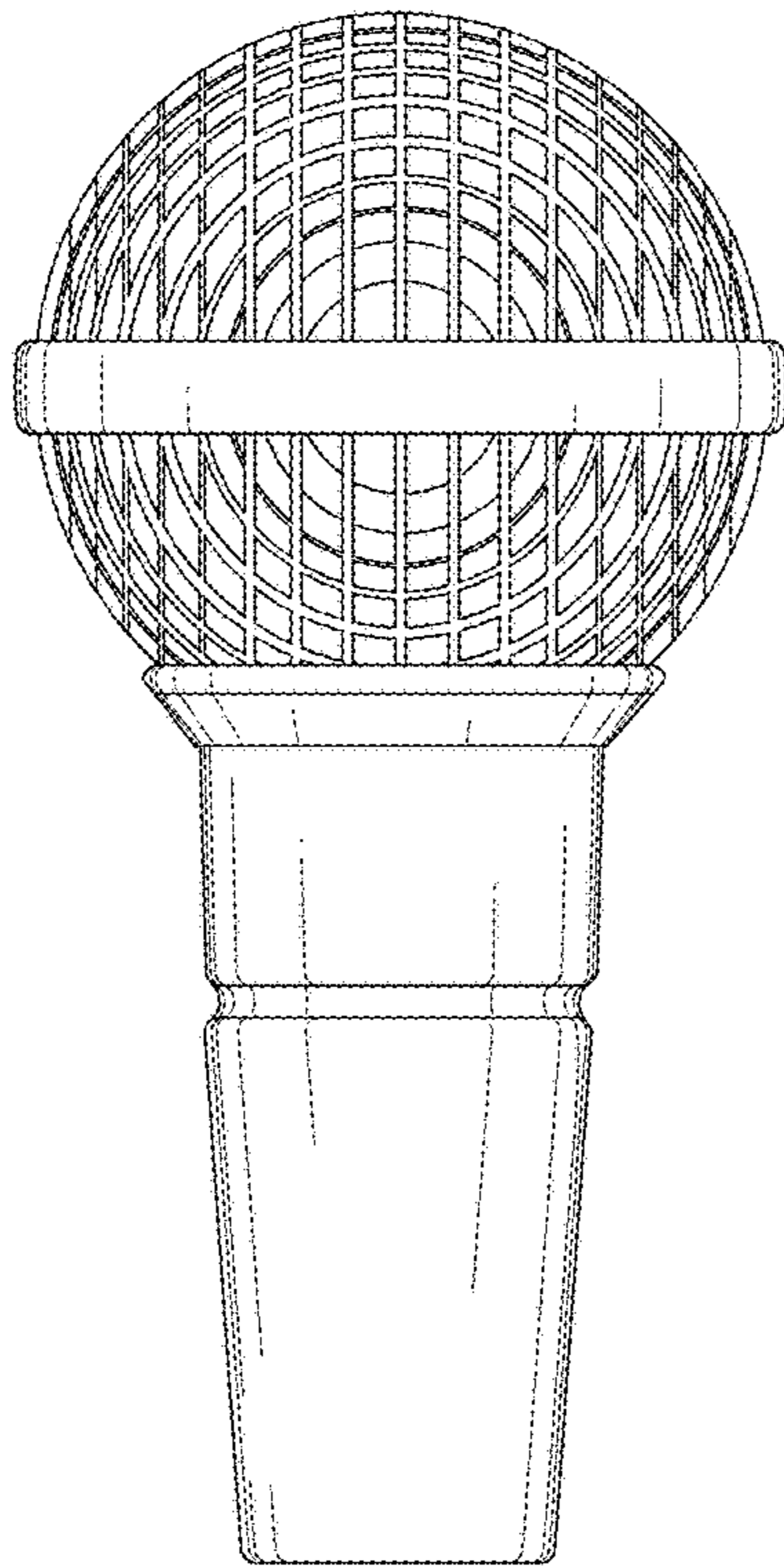


FIG. 1

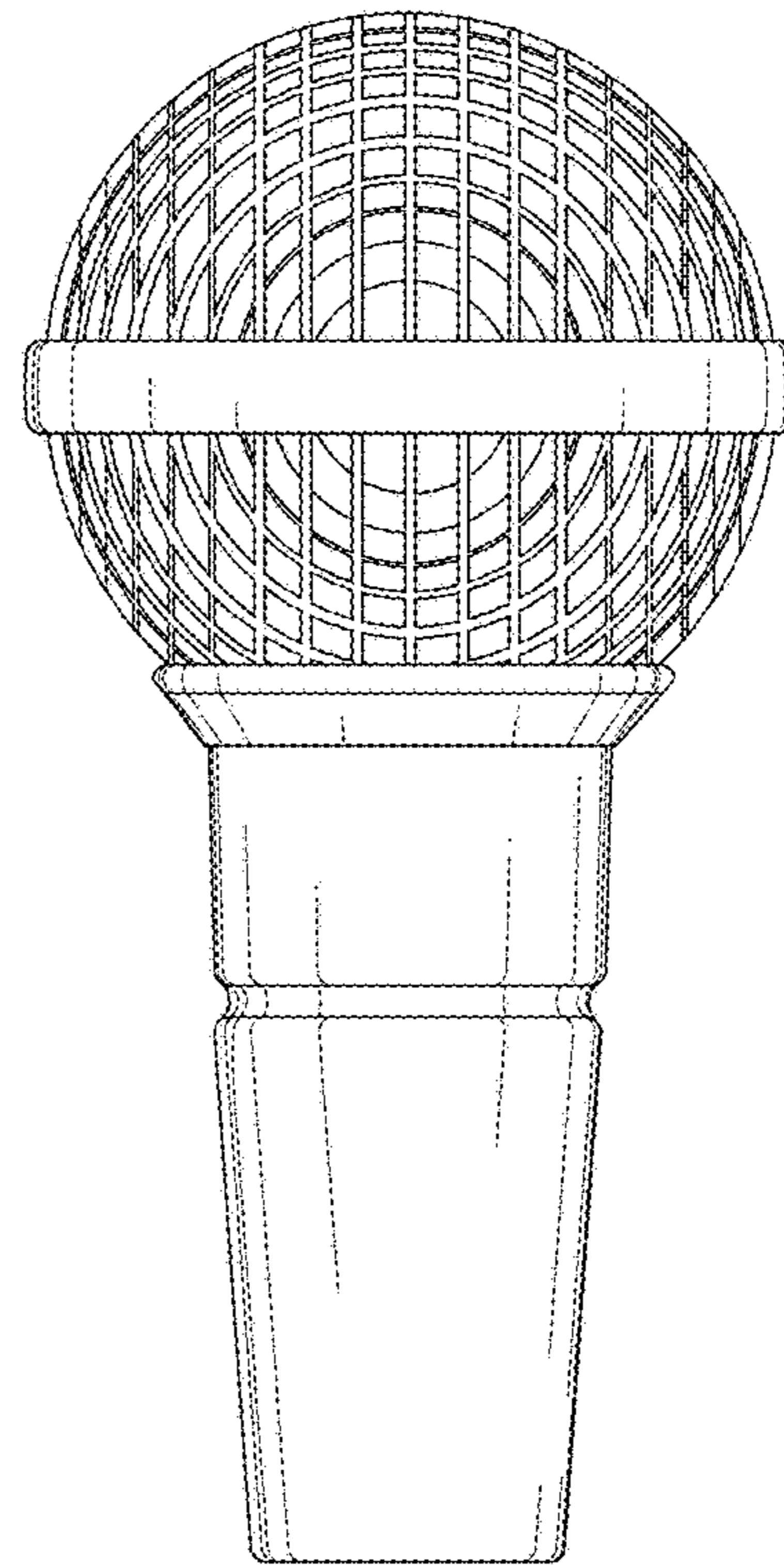


FIG. 2

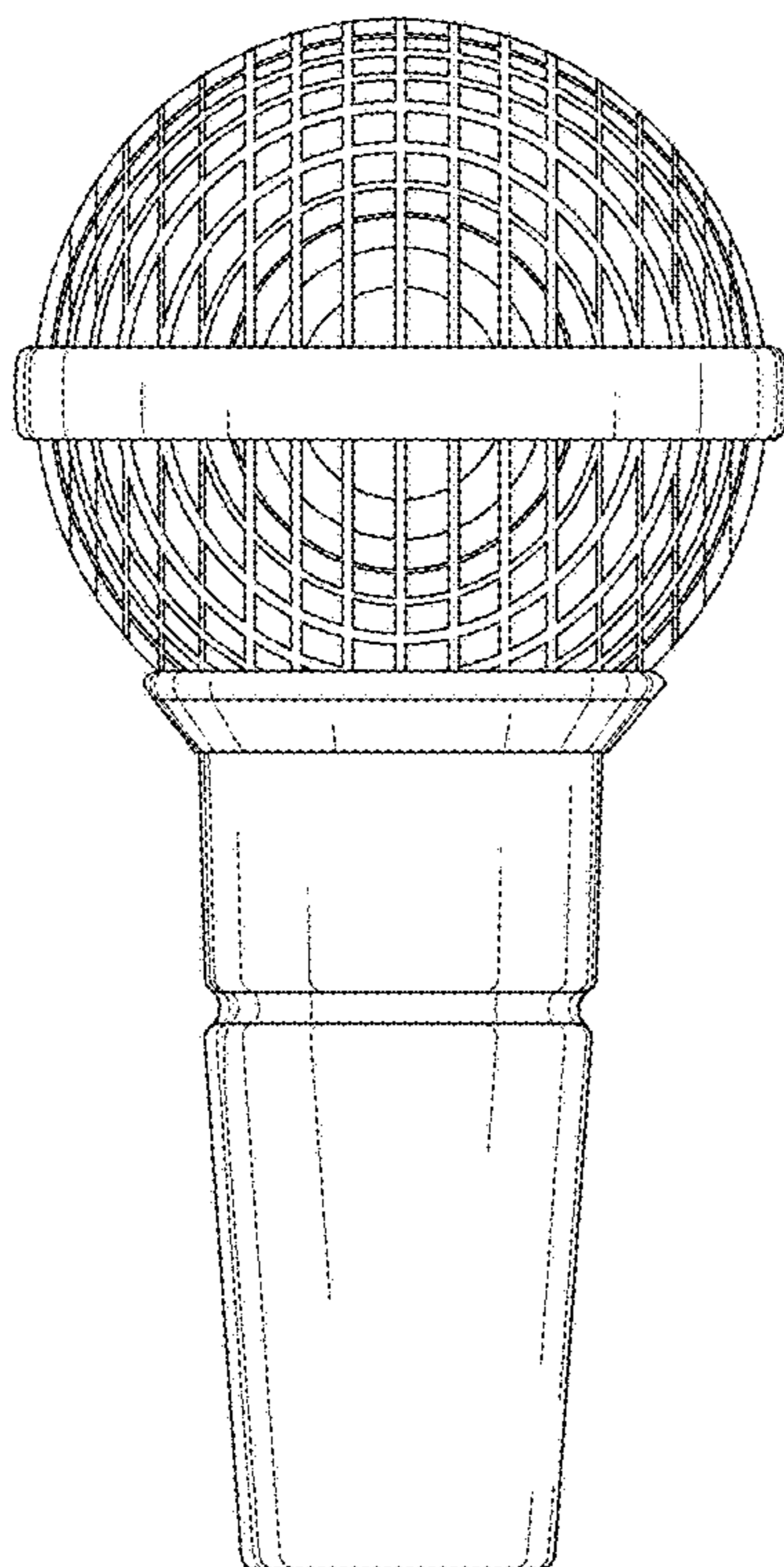


FIG. 3

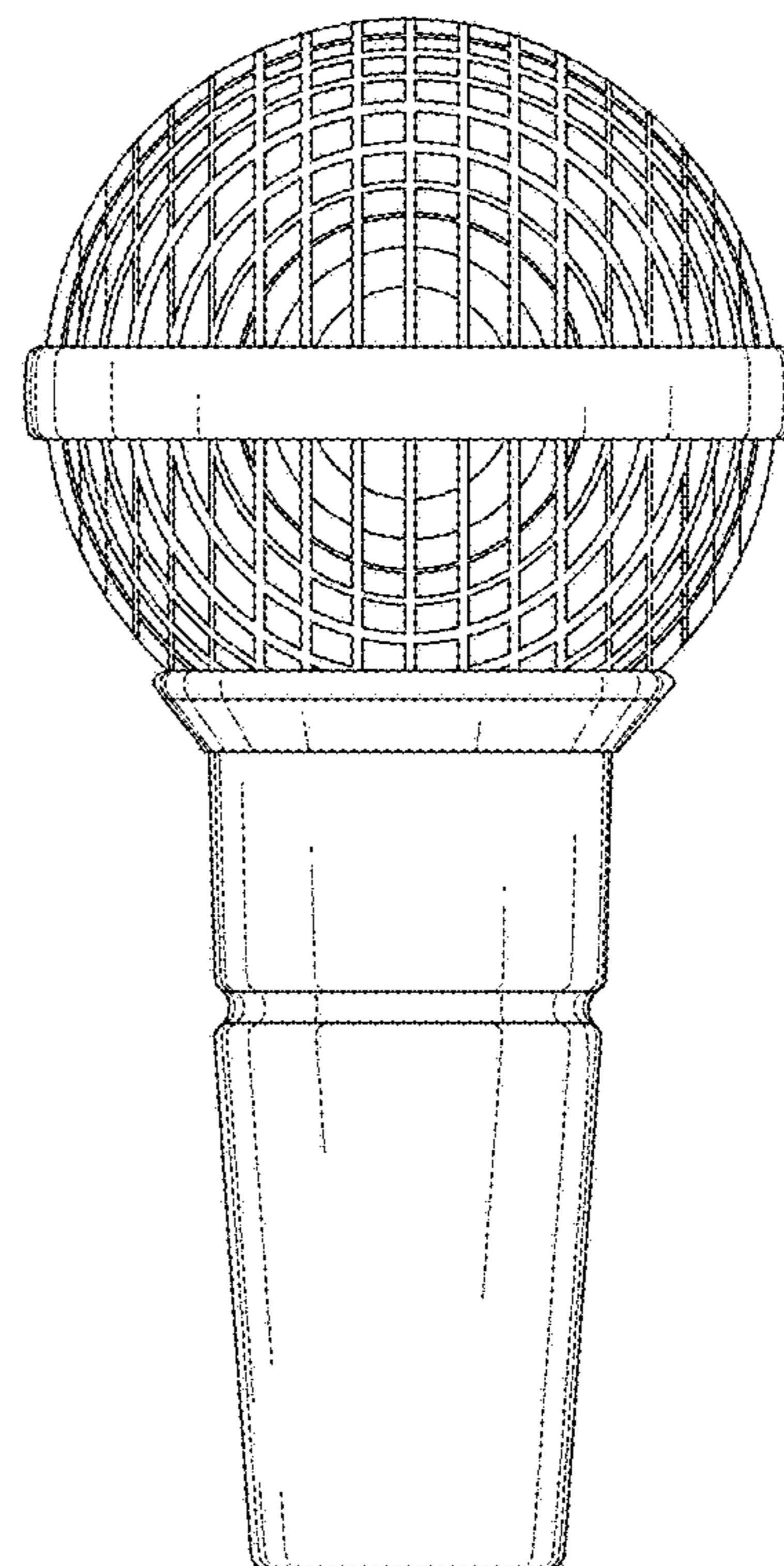


FIG. 4

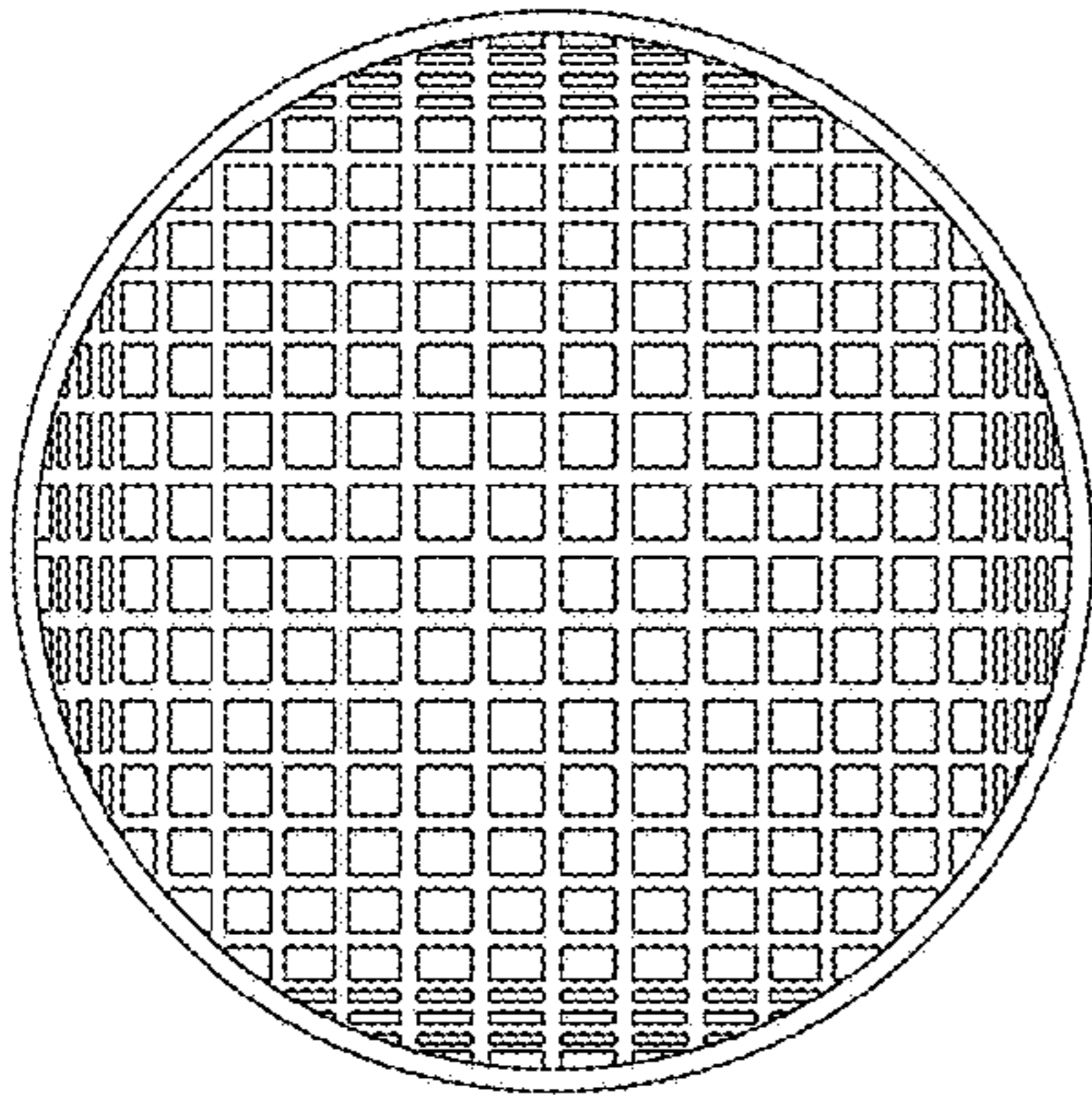


FIG. 5

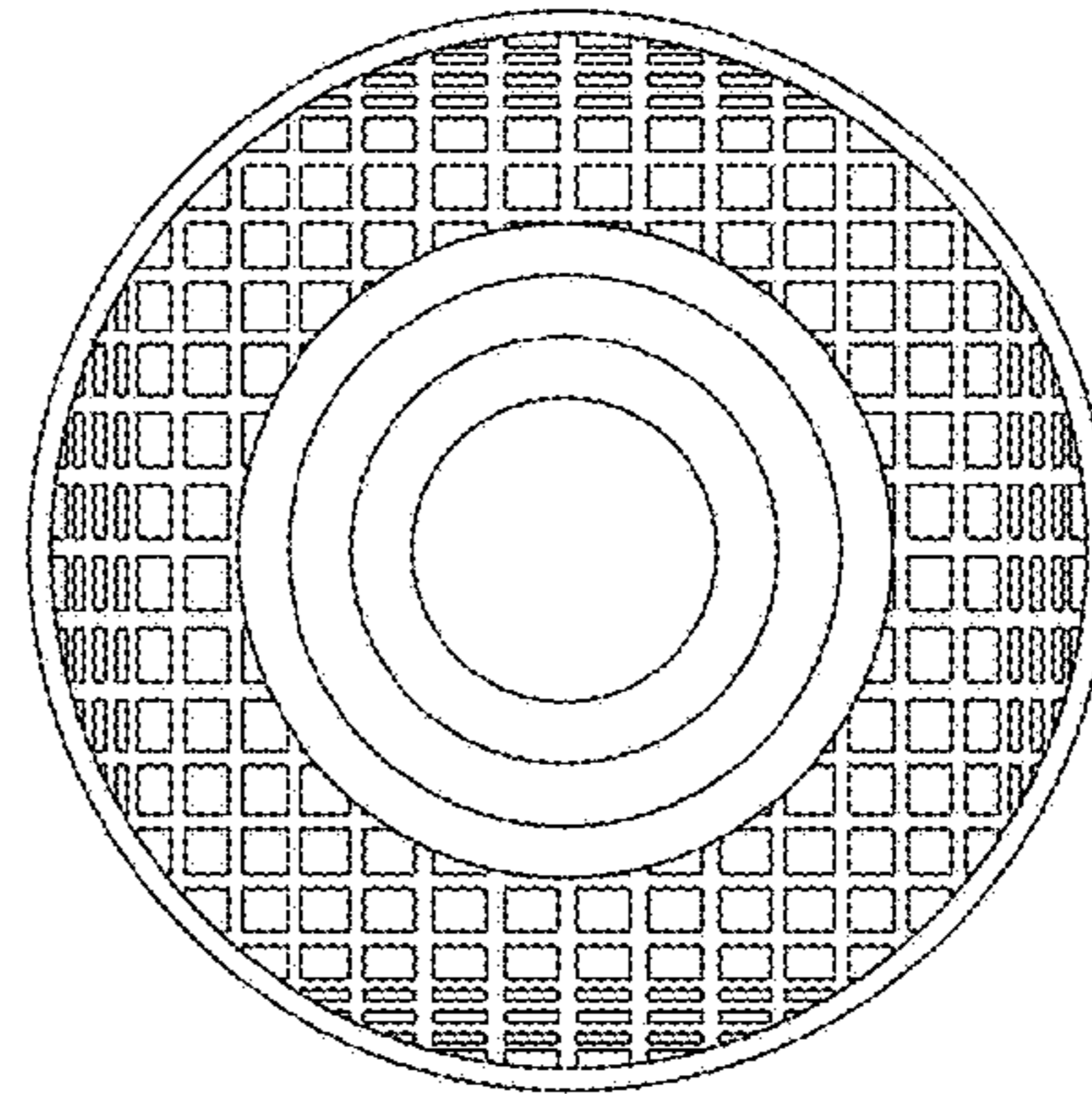


FIG. 6

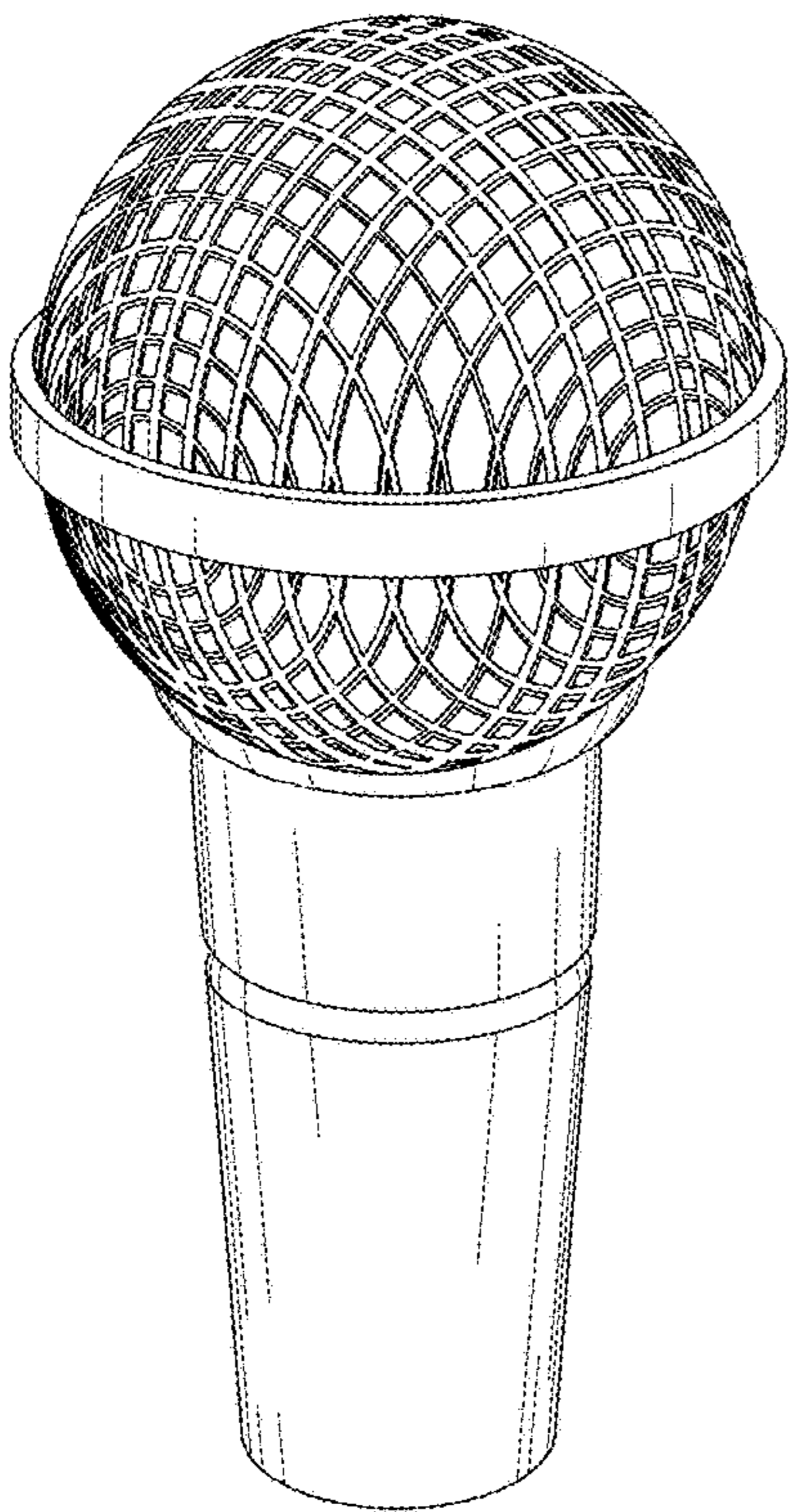


FIG. 7

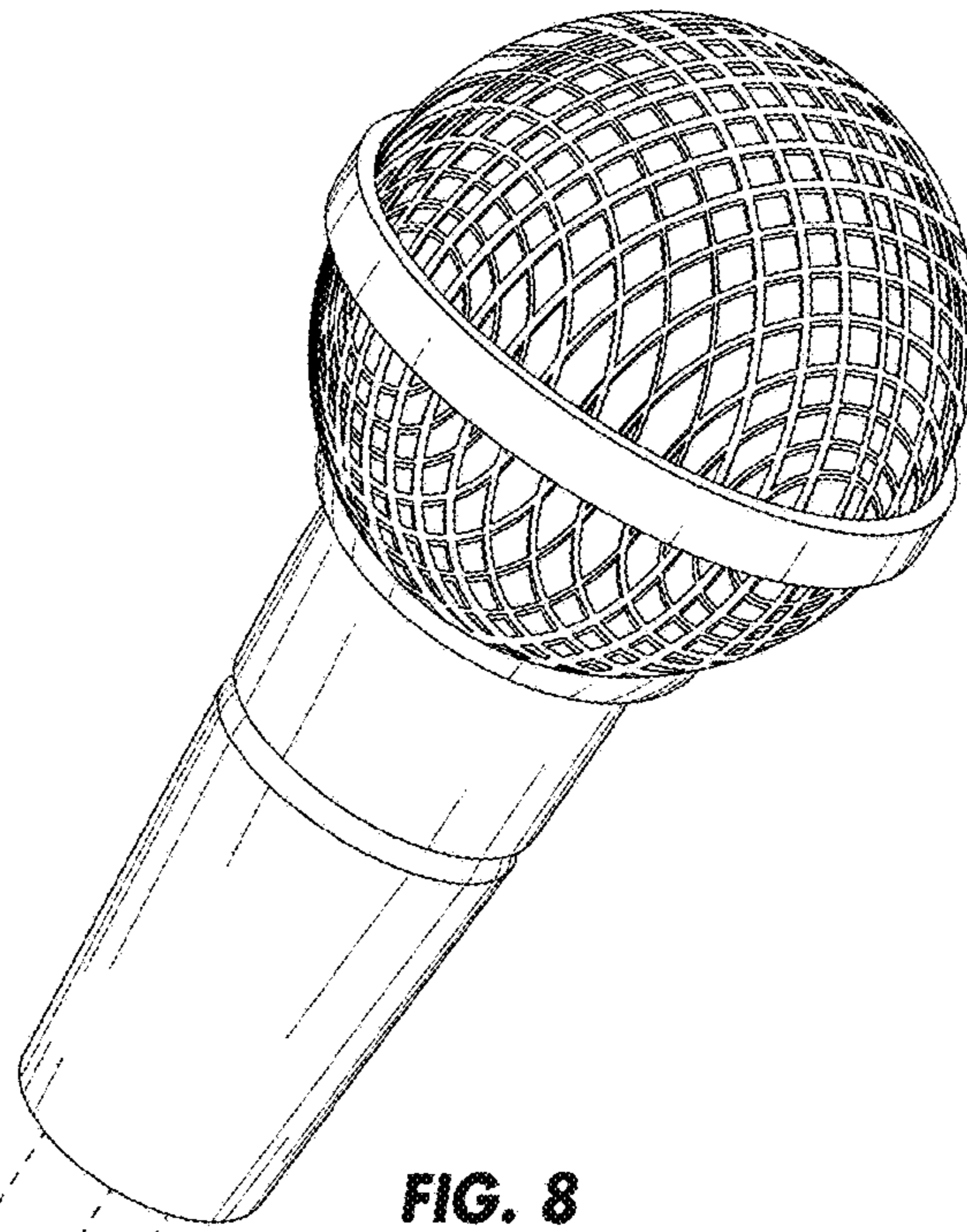


FIG. 8