



US00D820353S

(12) **United States Design Patent**
Choi et al.

(10) **Patent No.:** **US D820,353 S**
(45) **Date of Patent:** **** Jun. 12, 2018**

(54) **MOBILE PRINTER**
(71) Applicant: **S-PRINTING SOLUTION CO., LTD.**,
Suwon-si, Gyeonggi-do (KR)
(72) Inventors: **Eunha Choi**, Seoul (KR); **Jaehyung Kim**,
Gwangju-si (KR); **Young-Joong Jun**, Seoul (KR)
(73) Assignee: **S-PRINTING SOLUTION CO., LTD.**,
Samsung-Ro, Maetan-Dong,
Yeongtong-Gu, Suwon-si, Gyeonggi-Do
(KR)

(**) Term: **15 Years**
(21) Appl. No.: **29/574,023**
(22) Filed: **Aug. 11, 2016**
(30) **Foreign Application Priority Data**

Jun. 29, 2016 (KR) 30-2016-0031595
(51) **LOC (11) Cl.** **18-02**
(52) **U.S. Cl.**
USPC **D18/50; D13/108**
(58) **Field of Classification Search**
USPC D18/50, 14, 99, 54-55; D14/362-365;
D13/108
CPC . B41J 11/58; B41J 15/12; B41J 15/042; B41J
29/02; G06K 15/12; G06K 15/14
See application file for complete search history.

(56) **References Cited**
U.S. PATENT DOCUMENTS
D616,365 S * 5/2010 Wang D13/119
D656,182 S * 3/2012 Inada D18/50
D689,859 S * 9/2013 Kurata D14/365
D699,181 S * 2/2014 Hung D13/103
D729,239 S * 5/2015 Fukuoka D14/348
D732,108 S * 6/2015 Ryu D18/14
D740,358 S * 10/2015 Kang D18/14
D747,764 S 1/2016 Isozaki

D751,635 S * 3/2016 Jung D18/50
D756,914 S * 5/2016 Rautiainen D13/108
D760,647 S * 7/2016 Chen D13/103
D763,188 S * 8/2016 Park D13/108
D781,955 S * 3/2017 Kim D18/50
D782,410 S * 3/2017 Li D13/103
D787,441 S * 5/2017 Lee D13/108
(Continued)

FOREIGN PATENT DOCUMENTS

EM 000540646-0001 7/2006

OTHER PUBLICATIONS

Prinics Pickit M1 Mobile Printer (Pink Cover). FotoKem [online].
p. 1-10 [retrieved on Aug. 10, 2016]. Retrieved from the Internet:
<URL: <http://www.fotokem.com.my/prinics-pickit-m1-mobile-printer-pink-cover>.

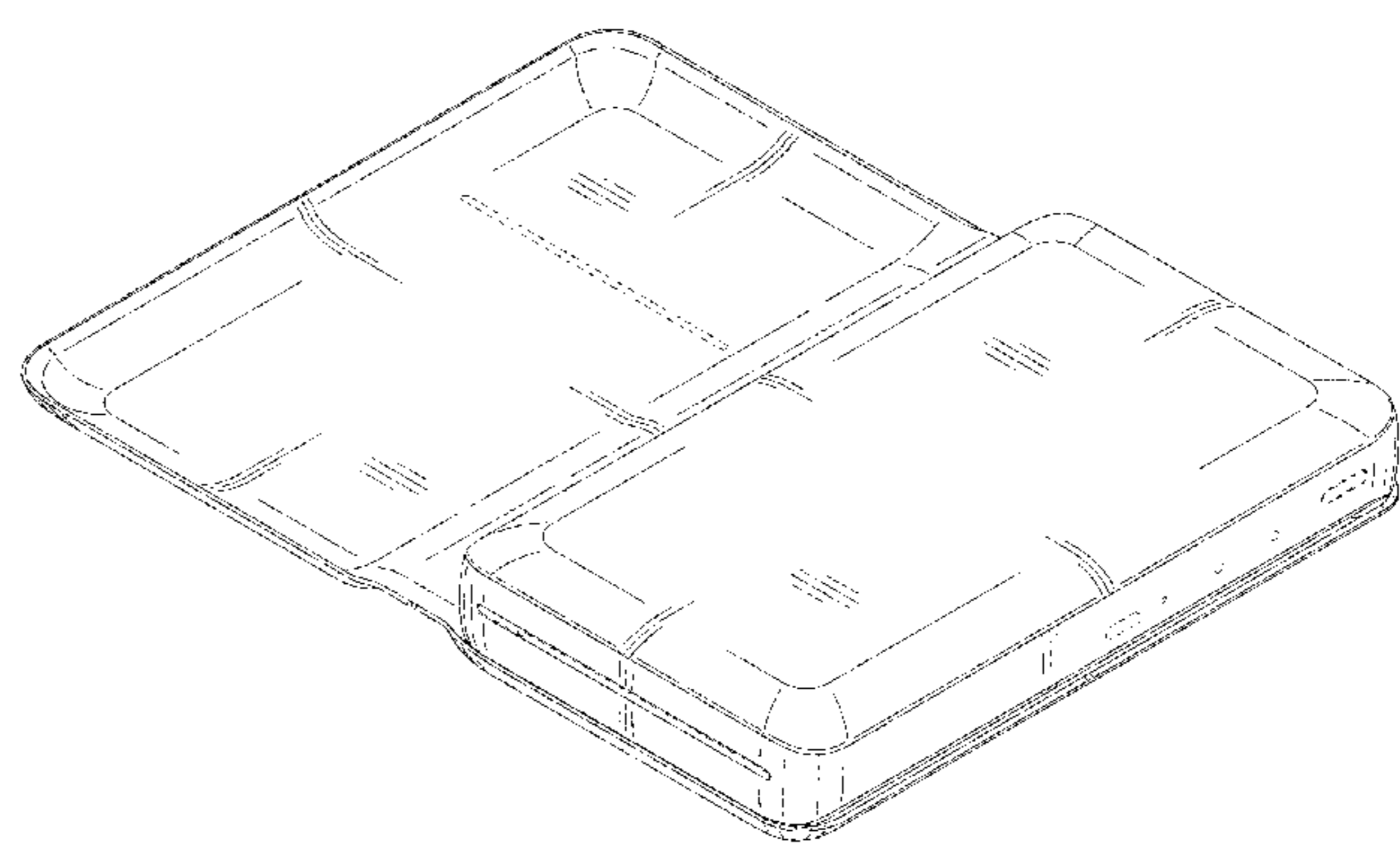
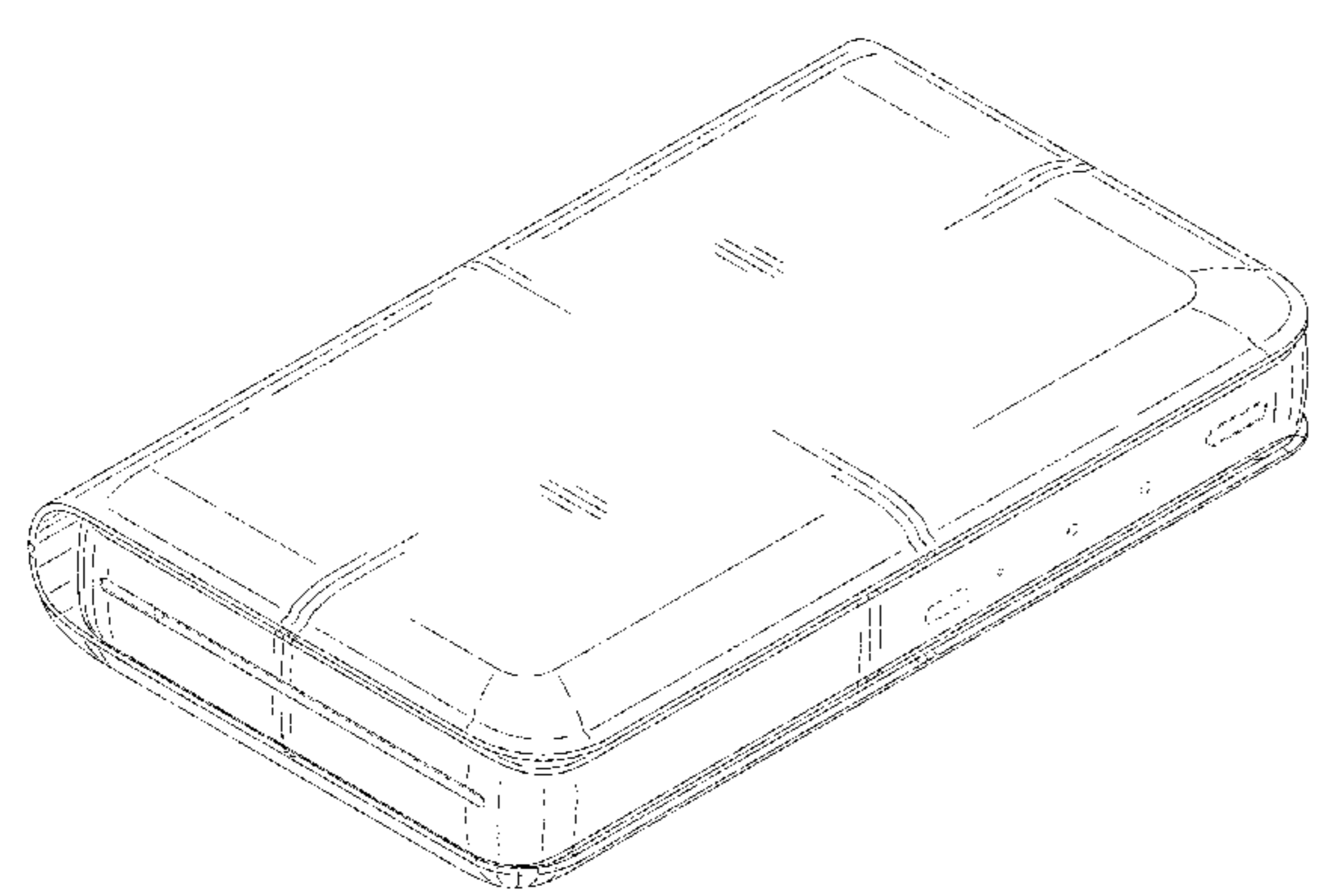
Primary Examiner — Robin V Webster
Assistant Examiner — James C Thorn, Sr.
(74) *Attorney, Agent, or Firm* — Cantor Colburn LLP

(57) **CLAIM**
The ornamental design for a mobile printer, as shown and described.

DESCRIPTION

FIG. 1 is a front perspective view of a mobile printer, showing our new design;
FIG. 2 is a front view thereof;
FIG. 3 is a rear view thereof;
FIG. 4 is a left side view thereof;
FIG. 5 is a right-side view thereof;
FIG. 6 is a top view thereof;
FIG. 7 is a bottom view thereof; and,
FIG. 8 is a front perspective view thereof in an alternate configuration.
The broken lines illustrating portions of the mobile printer form no part of the claimed design.

1 Claim, 8 Drawing Sheets



(56)

References Cited

U.S. PATENT DOCUMENTS

D793,958 S * 8/2017 Rautiainen D13/108
D797,044 S * 9/2017 Miller D13/108
D799,590 S * 10/2017 Dwyer D18/50
D800,211 S * 10/2017 Kamei D18/14
2017/0057237 A1* 3/2017 Shirotori B41J 2/17503
2017/0251116 A1* 8/2017 Miyamoto B41J 2/01

* cited by examiner

FIG. 1

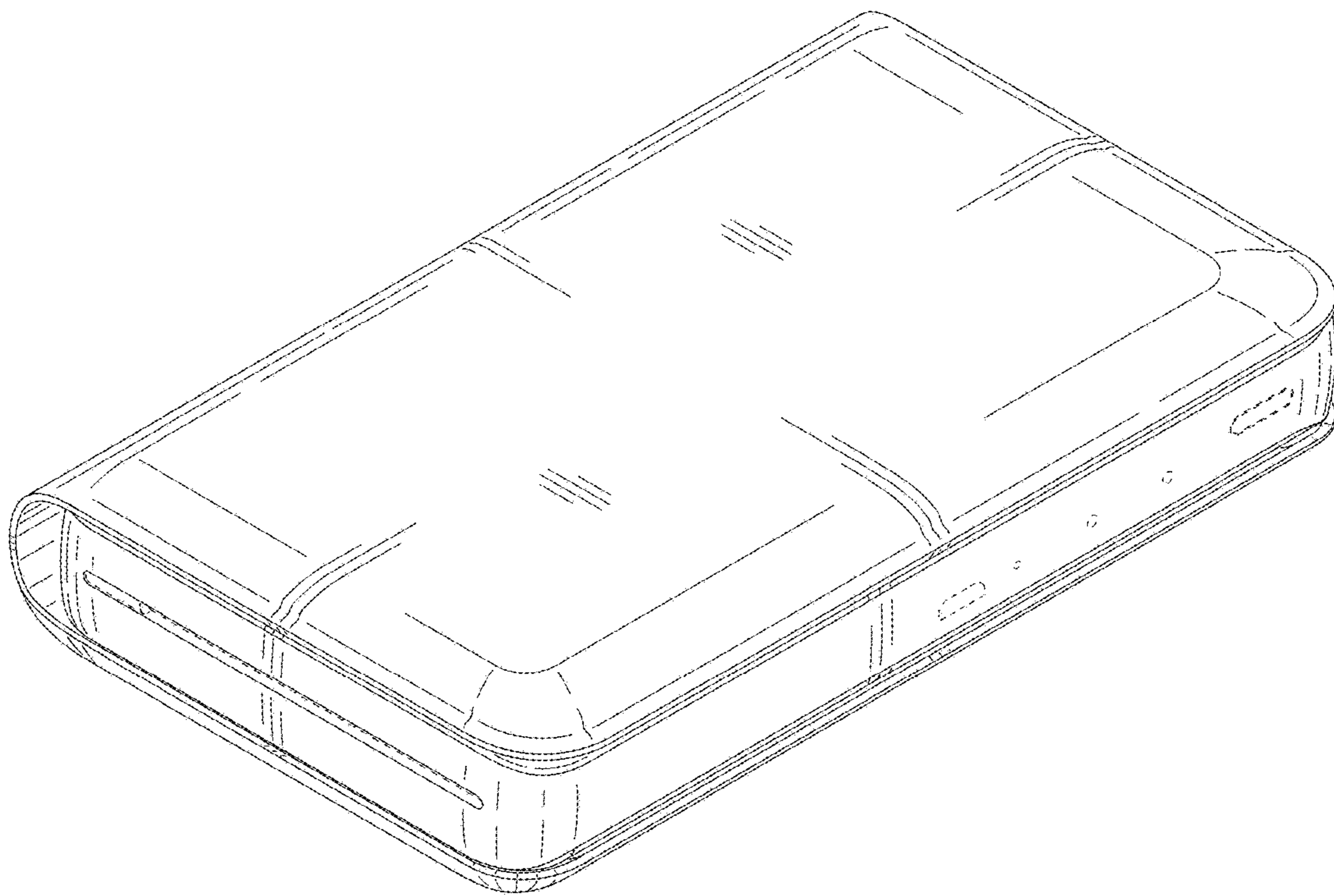


FIG. 2

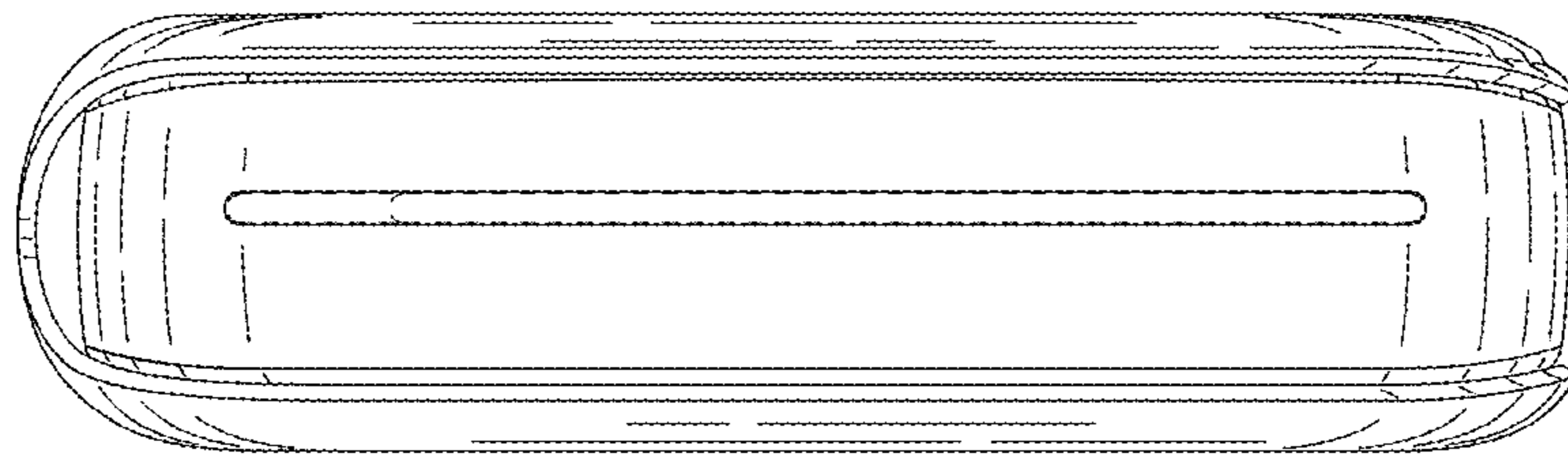


FIG. 3

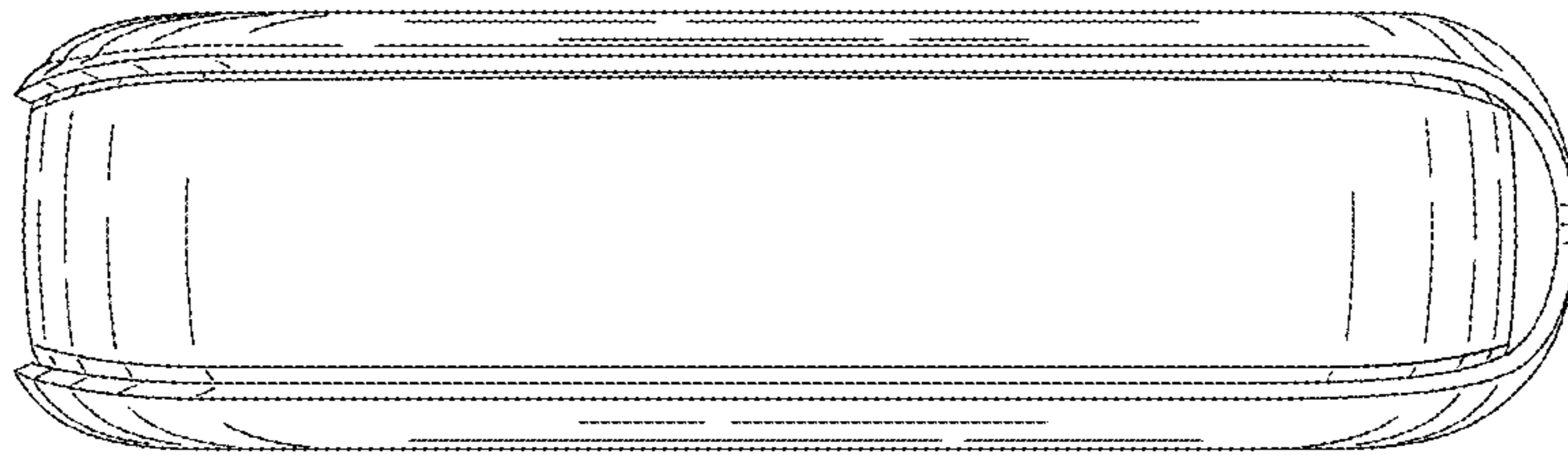


FIG. 4

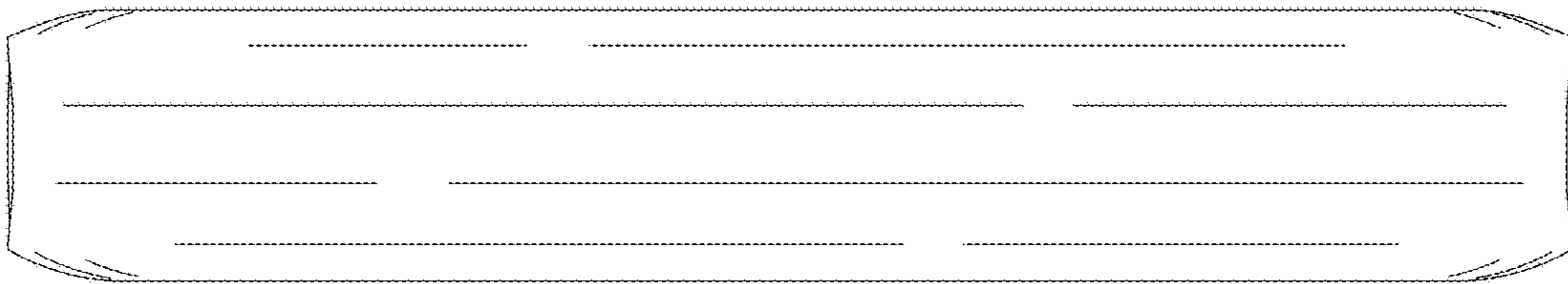


FIG. 5

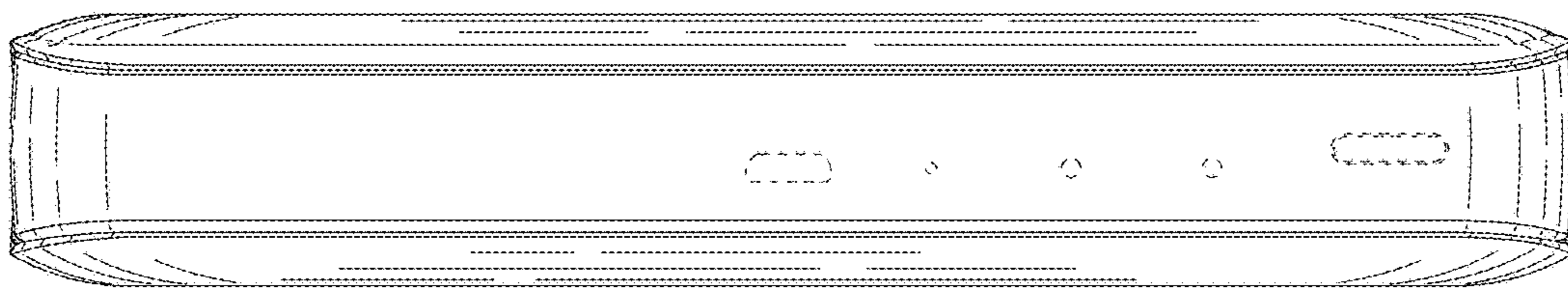


FIG. 6

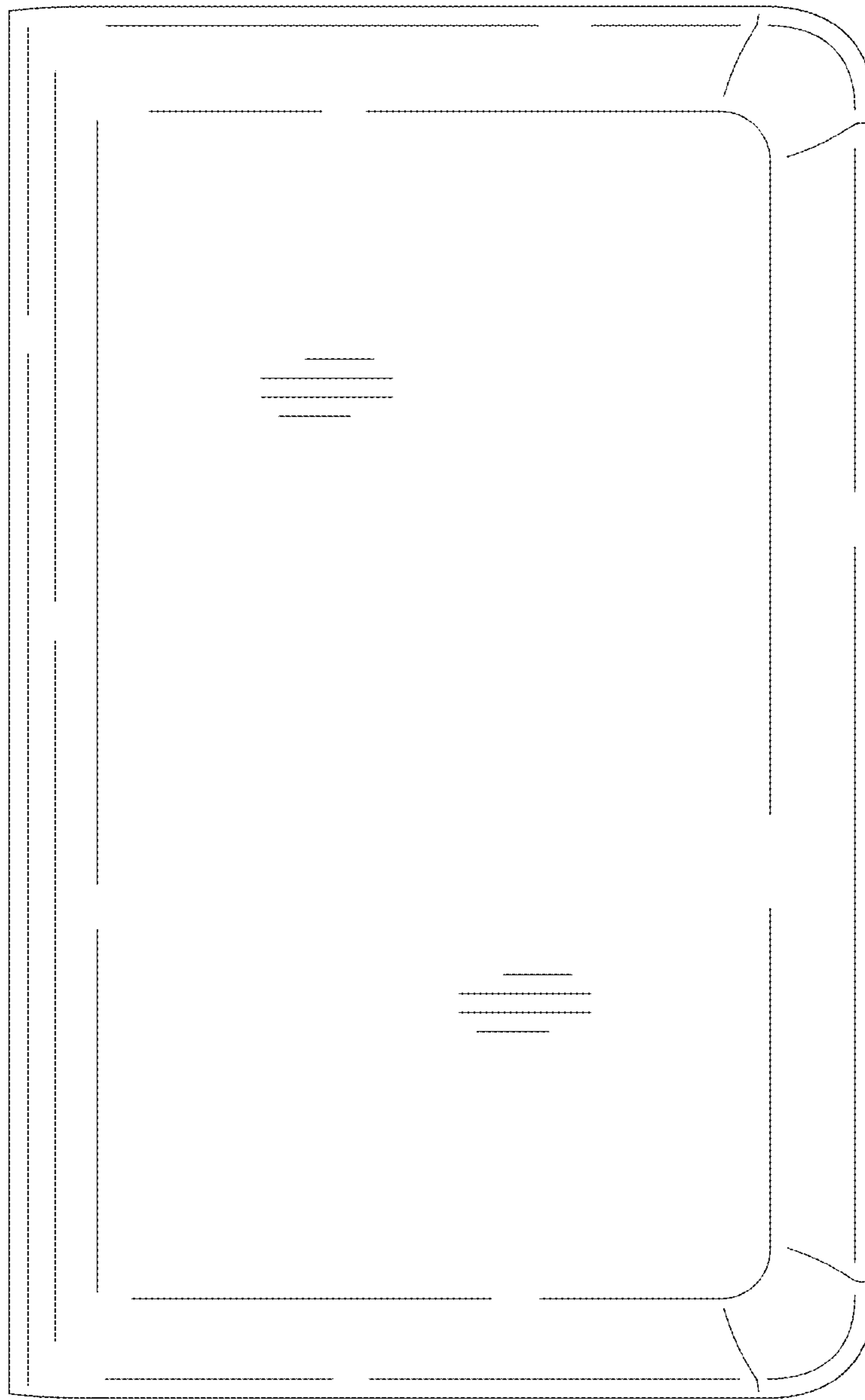


FIG. 7

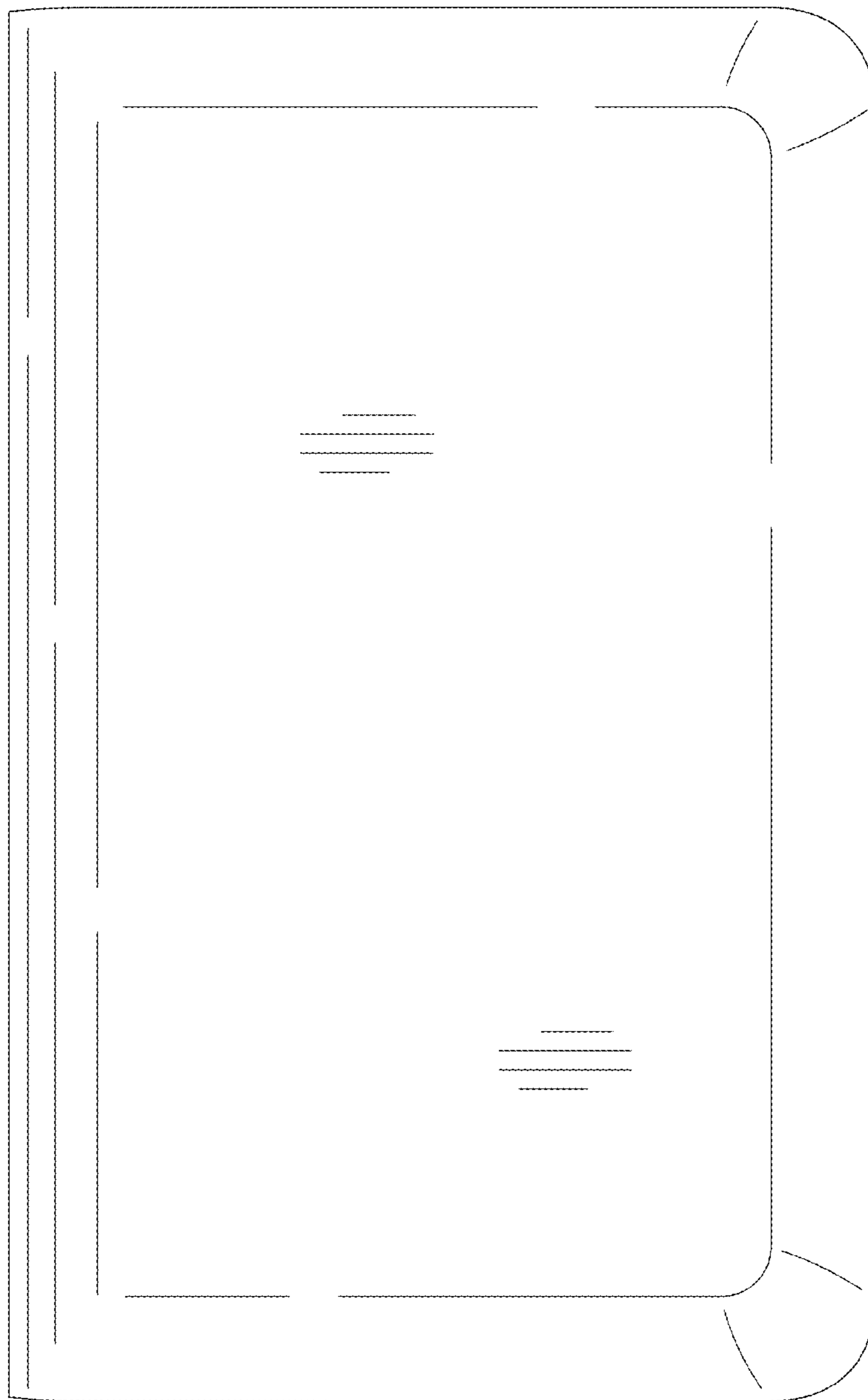


FIG. 8

