



US00D820350S

(12) **United States Design Patent**
Riegler et al.

(10) **Patent No.:** **US D820,350 S**
(45) **Date of Patent:** **** Jun. 12, 2018**

(54) **STAMP PAD**

FOREIGN PATENT DOCUMENTS

(71) Applicant: **Trodat GmbH**, Wels (AT)

AT 501318 11/2006
AT A50017/2014 1/2014

(72) Inventors: **Konrad Riegler**, Eberstalzell (AT);
Markus Zehetner, Leonding (AT);
Helmut Lindner, Peuerbach (AT)

(Continued)

(73) Assignee: **Trodat GmbH**, Wels (AT)

(**) Term: **15 Years**

(21) Appl. No.: **29/567,665**

(22) Filed: **Jun. 10, 2016**

(30) **Foreign Application Priority Data**

Dec. 10, 2015 (EM) 002904854

(51) **LOC (11) Cl.** **19-02**

(52) **U.S. Cl.**
USPC **D18/18**

(58) **Field of Classification Search**
USPC D18/15, 16, 17, 18, 50; D19/65-68, 70,
D19/71
CPC . B41J 2/1752; B41J 3/36; B41J 29/023; B41J
2/17526; B41J 3/28; B41K 1/38; B41K
1/00; B41K 1/006; B41K 1/02; B41K
1/08; B41K 1/40; B41K 1/42; B41K
1/52; B41K 1/54; B41K 1/56; B41K
1/36; B23K 26/00; B23K 26/10; B41C
3/04; B41D 7/00

See application file for complete search history.

(56) **References Cited**

U.S. PATENT DOCUMENTS

454,499 A 6/1891 Ryer
973,556 A 10/1910 Peterson
D331,418 S * 12/1992 Winston D18/15
D359,504 S 6/1995 Stefanski

(Continued)

OTHER PUBLICATIONS

Amazon. <URL: https://www.amazon.com/Replacement-TRODAT-Printy-Inking-Stamps/dp/B00FB7OJE0/ref=sr_1_1?ie=UTF8&qid=1496770907&sr=8-1&keywords=Replacement+Ink+Pad.> Feb. 11, 2012. Replacement Ink Pad.*

(Continued)

Primary Examiner — Bridget L Eland

Assistant Examiner — Lauren McVey

(74) *Attorney, Agent, or Firm* — Meyertons, Hood,
Kivlin, Kowert & Goetzel, P.C.

(57) **CLAIM**

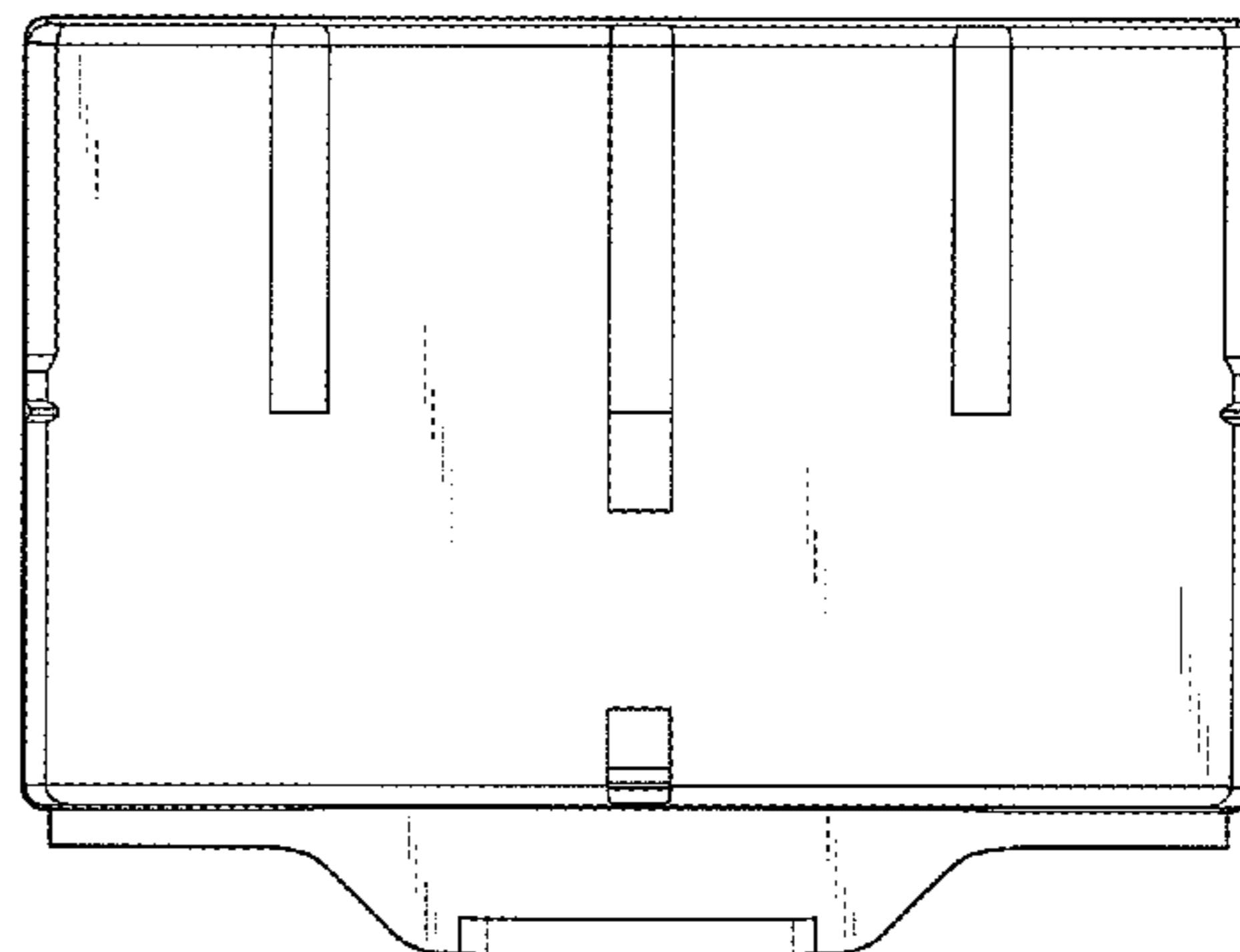
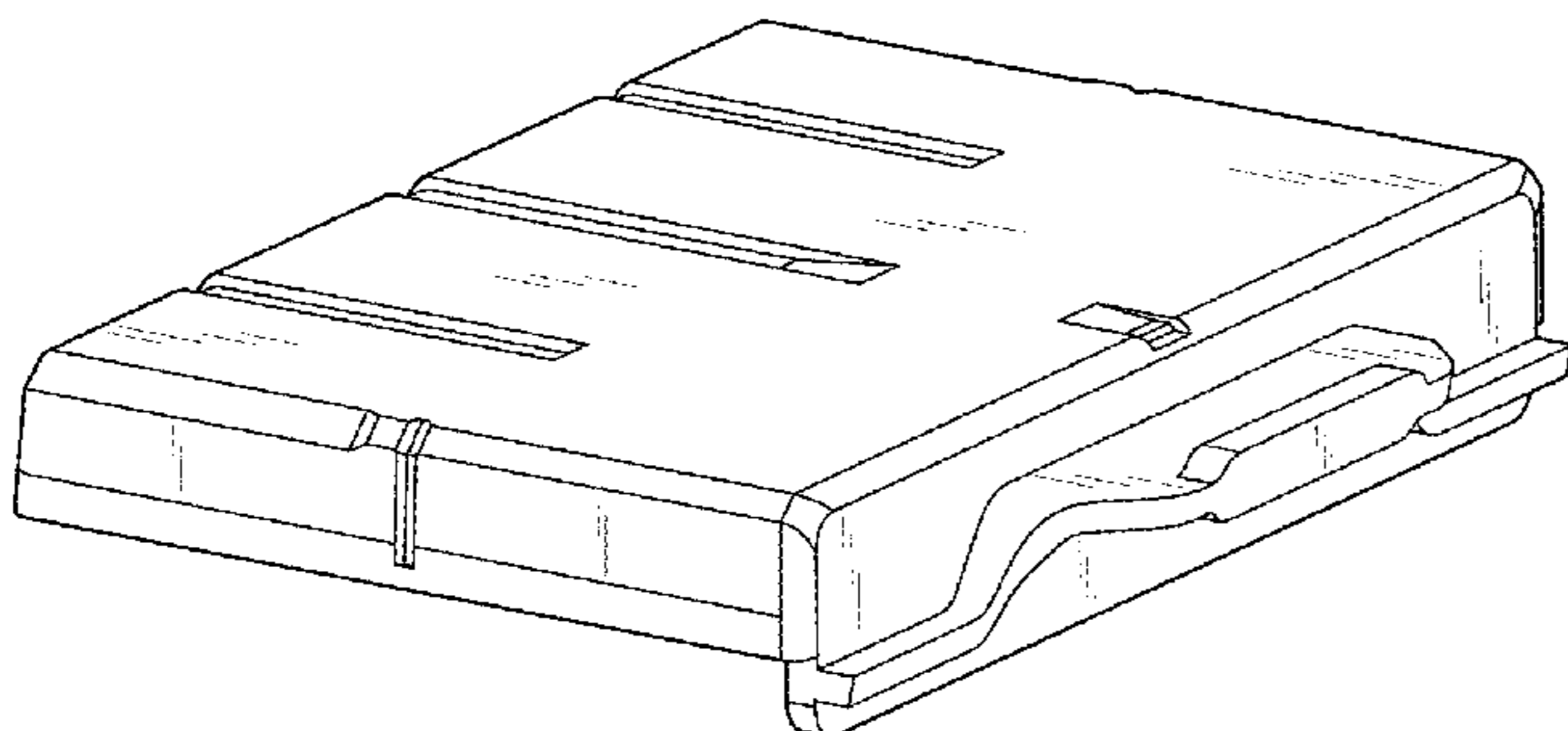
The ornamental design for a stamp pad, as shown and described.

DESCRIPTION

FIG. 1 is a front and left-side perspective view of a stamp pad, showing our new design;
FIG. 2 is a front view thereof;
FIG. 3 is a rear view thereof;
FIG. 4 is a top view thereof;
FIG. 5 is a bottom view thereof;
FIG. 6 is a right-side view thereof; and,
FIG. 7 is a left-side view thereof.

The three innermost broken lines immediately adjacent the claim in the FIG. 5 view represent the bounds of the claimed design; the broken lines form no part of the claimed design. In addition, the unshaded innermost surface in the FIG. 5 view that adjoins the claimed solid line edge and that directly adjoins the three broken lines forms no part of the claimed design. The wire frame lines shown throughout the view are intended to indicate surface contour.

1 Claim, 4 Drawing Sheets



(56)

References Cited

U.S. PATENT DOCUMENTS

D367,879	S	*	3/1996	Smith	D18/17
D387,800	S	*	12/1997	Daw	D18/18
D389,175	S	*	1/1998	Imamaki	D18/18
5,727,467	A		3/1998	Skopek		
5,768,992	A		6/1998	Daw et al.		
D400,566	S		11/1998	Schreiberhuber		
5,850,787	A		12/1998	Daw		
D417,464	S		12/1999	Skopek		
6,067,905	A		5/2000	Faber		
D451,944	S		12/2001	Lipkin		
6,732,649	B1		5/2004	Wall et al.		
6,813,999	B2	*	11/2004	Treml	B41K 1/54 101/103
6,834,584	B1	*	12/2004	MacNeil	B41K 1/50 101/103
6,892,638	B2		5/2005	Sculler		
7,069,852	B2		7/2006	Lindl		
D538,328	S		3/2007	Faber		
D540,848	S		4/2007	Faber		
D542,335	S		5/2007	Faber		
D542,835	S		5/2007	Faber		
7,389,727	B2		6/2008	Faber		
D588,187	S		3/2009	Shih		
7,520,221	B2		4/2009	Ameshofer		
D615,121	S	*	5/2010	Fukasawa	D18/17
D618,274	S		6/2010	Faber		
7,743,703	B2		6/2010	Ameshofer		
7,853,353	B1		12/2010	Hagen et al.		
7,877,909	B1		2/2011	Hagen et al.		
7,894,935	B1		2/2011	Hagen et al.		
8,050,796	B1		11/2011	Hagen et al.		
D668,714	S	*	10/2012	Zindl	D18/17
D677,322	S	*	3/2013	Zindl	D18/17
8,402,890	B2		3/2013	Faber		
8,408,126	B2		4/2013	Faber		
8,413,357	B1		4/2013	Hagen et al.		
9,227,450	B2		1/2016	Faber		
9,354,630	B2		5/2016	Sukhman		
9,475,326	B2	*	10/2016	Petersen	B41K 1/54
D803,307	S		11/2017	Riegler et al.		
9,895,919	B2		2/2018	Zehetner et al.		
2001/0049669	A1		12/2001	Ito et al.		
2003/0150343	A1		8/2003	Koneczny		
2005/0066828	A1		3/2005	Wei		
2006/0000374	A1		1/2006	Faber		
2006/0162596	A1		7/2006	Faber		
2006/0185539	A1		8/2006	Faber		
2007/0272099	A1		11/2007	Pointl		
2008/0087180	A1		4/2008	Ameshofer		
2009/0255427	A1		10/2009	Faber		
2009/0301327	A1		12/2009	Nelson		
2010/0031835	A1	*	2/2010	Faber	B41K 1/54 101/333
2010/0263561	A1		10/2010	Faber		
2011/0277647	A1		11/2011	Zindl		
2013/0291744	A1		11/2013	Anthony		
2015/0181033	A1		6/2015	Keller		
2016/0325381	A1		11/2016	Pinot et al.		
2016/0361934	A1		12/2016	Riegler et al.		
2016/0361935	A1		12/2016	Sillipp et al.		
2016/0361936	A1		12/2016	Zehetner et al.		
2016/0368297	A1		12/2016	Scharinger et al.		

FOREIGN PATENT DOCUMENTS

AT	A50473/2015		6/2015	
AT	A50474/2015		6/2015	
AT	A50475/2015		6/2015	
AT	A50478/2015		6/2015	
AT	517318	*	12/2016	
AT	517321	*	12/2016	
AT	517322	*	12/2016	
AT	517328	*	12/2016	
CA	2717256		11/2011	

CN	301153224		3/2010	
CN	304057436	*	2/2017	
DE	202010007577	U	8/2010	
EM	001922865-0001	*	2/2012	
EM	002716431-0001	*	1/2017	
EM	002716431-0011	*	1/2017	
EM	002904854-0007	*	1/2017	
EP	0459969		12/1991	
EP	0804344	B1	9/1998	
EP	2384283	B1	11/2011	
EP	2591921	B1	5/2013	
EP	2594406		5/2013	
JP	D1546014	*	3/2016	
WO	1999064246		12/1999	
WO	2004085110		10/2004	
WO	2006029422		3/2006	
WO	2006079129		8/2006	
WO	2006079131		8/2006	
WO	2010085828		8/2010	
WO	2011056345		5/2011	
WO	2011151604		12/2011	
WO	WO 2014113833	A1	7/2014 B41K 1/36
WO	2014/172738	A1	10/2014	
WO	2014172738		10/2014	
WO	2015103654		7/2015	
WO	2016/197172		12/2016	
WO	2016197170		12/2016	
WO	2016197171		12/2016	
WO	2016197173		12/2016	

OTHER PUBLICATIONS

Riegler et al., Design U.S. Appl. No. 29/548,144, entitled "Hand Stamp", filed Dec. 10, 2015, 7 pages.

Registered Community Design No. 002716431, registered Community design for hand stamp and pad, Jun. 10, 2015, 86 pages.

Co-Pending Design U.S. Appl. No. 29/567,664 entitled, "Hand Stamp" to Riegler et al. filed Jun. 10, 2016.

Co-Pending Design U.S. Appl. No. 29/567,665 entitled, "Stamp Pad" to Riegler et al. filed Jun. 10, 2016.

Co-Pending Design U.S. Appl. No. 29/567,666 entitled, "Hand Stamp" to Riegler et al., filed Jun. 10, 2016.

NPL03—Written Opinion for PCT/AT2015/050003 dated Sep. 11, 2015. (publication No. WO2015103654).

NPL04—International Search Report for PCT/AT2015/050003 dated Dec. 11, 2015. (publication No. WO2015103654).

NPL05—Registered Community Design No. 002904854, registered Community design for hand stamp and pad, Dec. 10, 2015, 23 pages.

NPL06—Amazon. <URL: <https://www.amazon.com/dp/B01MQDH576?psc=1>> Nov. 3, 2016. Self-inking stamp.

NPL07—Amazon. <URL: <http://a.co/3GHpXYC>> Feb. 12, 2011 Self-inking stamp.

NPL09—Universal Laser Systems, Inc., "The Turnkey Laser Personalization and Identification Program," 2000.

Notice of Allowance for U.S. Appl. No. 29/567,664 dated Jul. 12, 2017.

Non Final Office Action for U.S. Appl. No. 29/567,665 dated Jun. 29, 2017.

Non Final Office Action for U.S. Appl. No. 29/567,666 dated Jun. 30, 2017.

Non Final Office Action for U.S. Appl. No. 15/177,072 dated Mar. 27, 2017.

Non Final Office Action for U.S. Appl. No. 15/177,078 dated Mar. 31, 2017.

Non Final Office Action for U.S. Appl. No. 15/177,091 dated Mar. 31, 2017.

NPL10—Communication for U.S. Appl. No. 29/567,665 faxed on Jan. 3, 2018.

Final Office Action for U.S. Appl. No. 15/177,072 dated Oct. 11, 2017.

Advisory Action for U.S. Appl. No. 15/177,072 dated Dec. 27, 2017.

(56)

References Cited

OTHER PUBLICATIONS

Final Office Action for U.S. Appl. No. 15/177,078 dated Oct. 20, 2017.

Notice of Allowance for U.S. Appl. No. 15/177,100 dated Oct. 19, 2017.

Final Office Action for U.S. Appl. No. 15/177,091 dated Oct. 5, 2017.

Notice of Allowance for U.S. Appl. No. 29/548,144 dated Mar. 19, 2018.

Notice of Allowance for U.S. Appl. No. 29/567,665 dated Mar. 19, 2018.

Final Office Action for U.S. Appl. No. 29/567,666 dated Feb. 26, 2018.

Advisory Action for U.S. Appl. No. 15/177,078 dated Feb. 21, 2018.

Advisory Office Action for U.S. Appl. No. 15/177,091 dated Jan. 19, 2018.

Non Final Office Action for U.S. Appl. No. 15/177,091 dated Mar. 27, 2018.

* cited by examiner

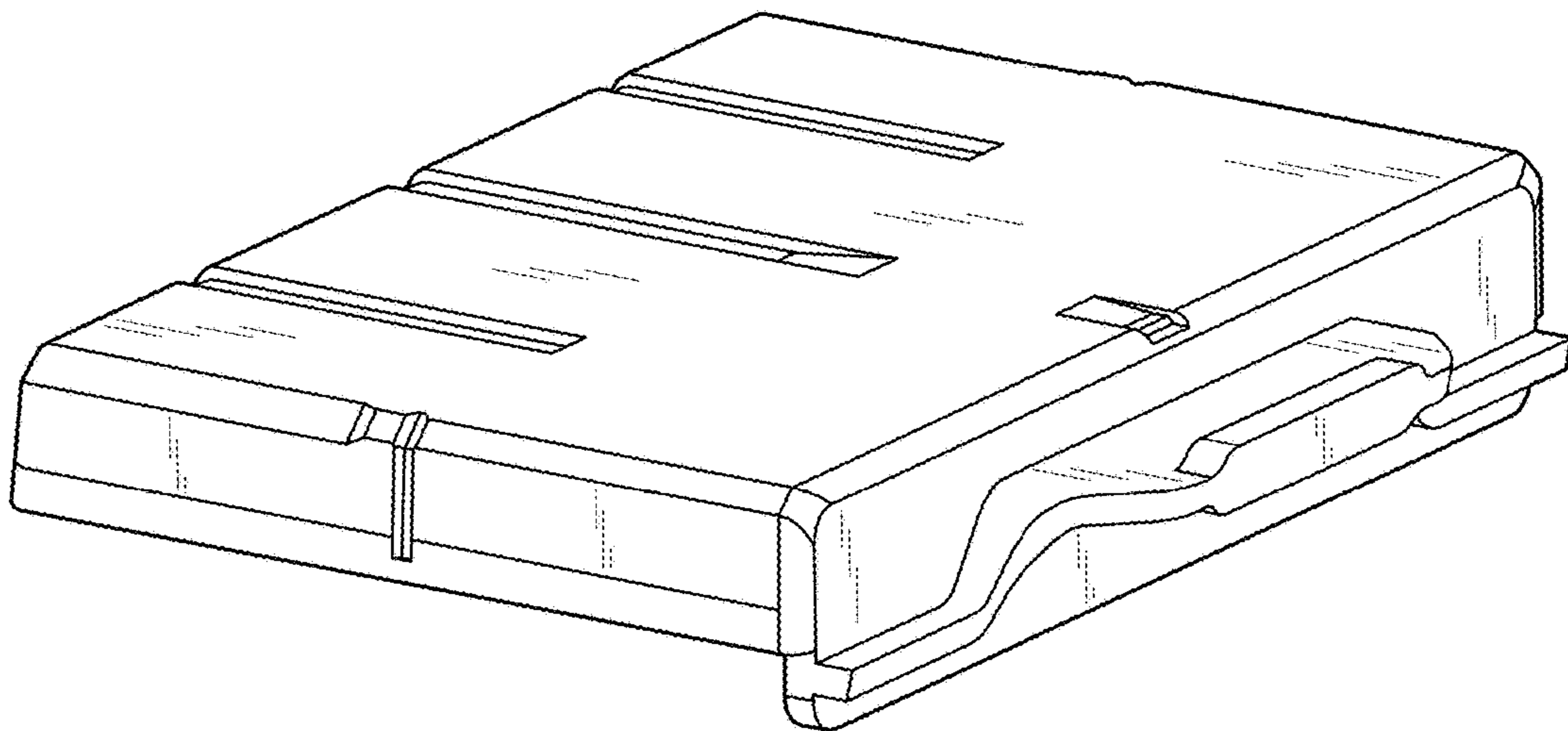


FIG. 1

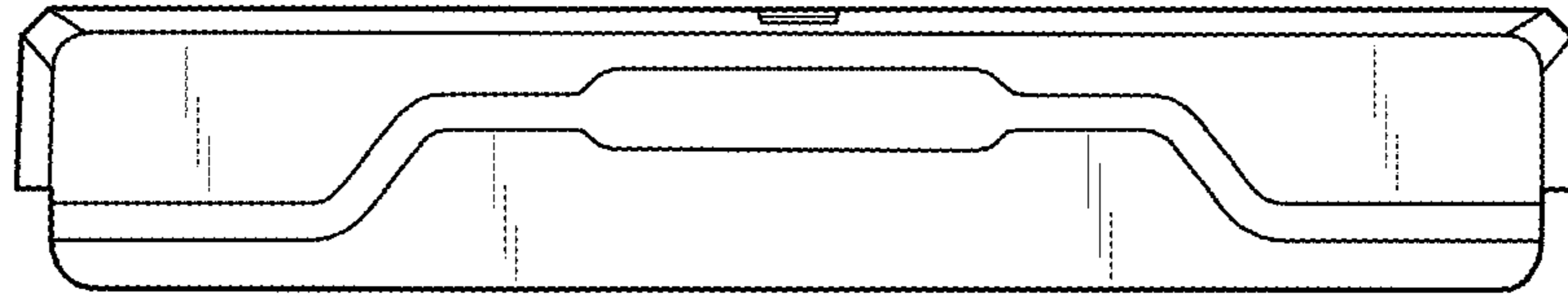


FIG. 2

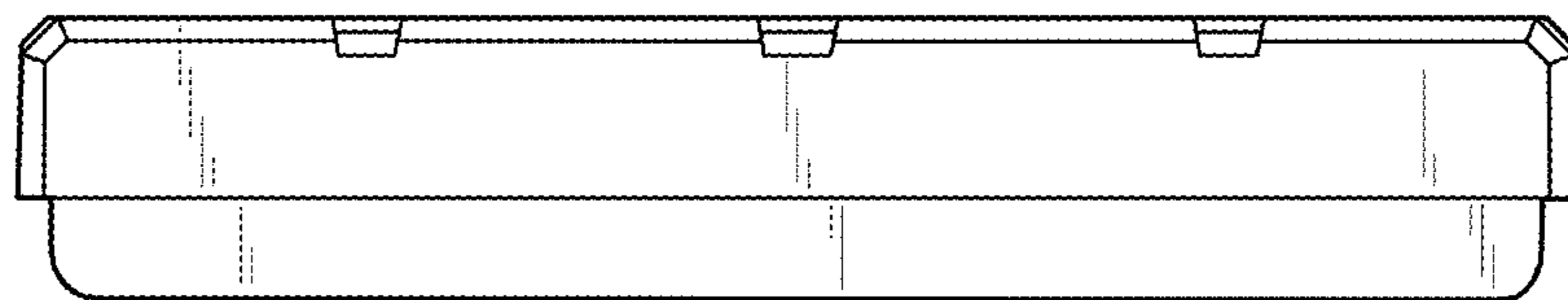


FIG. 3

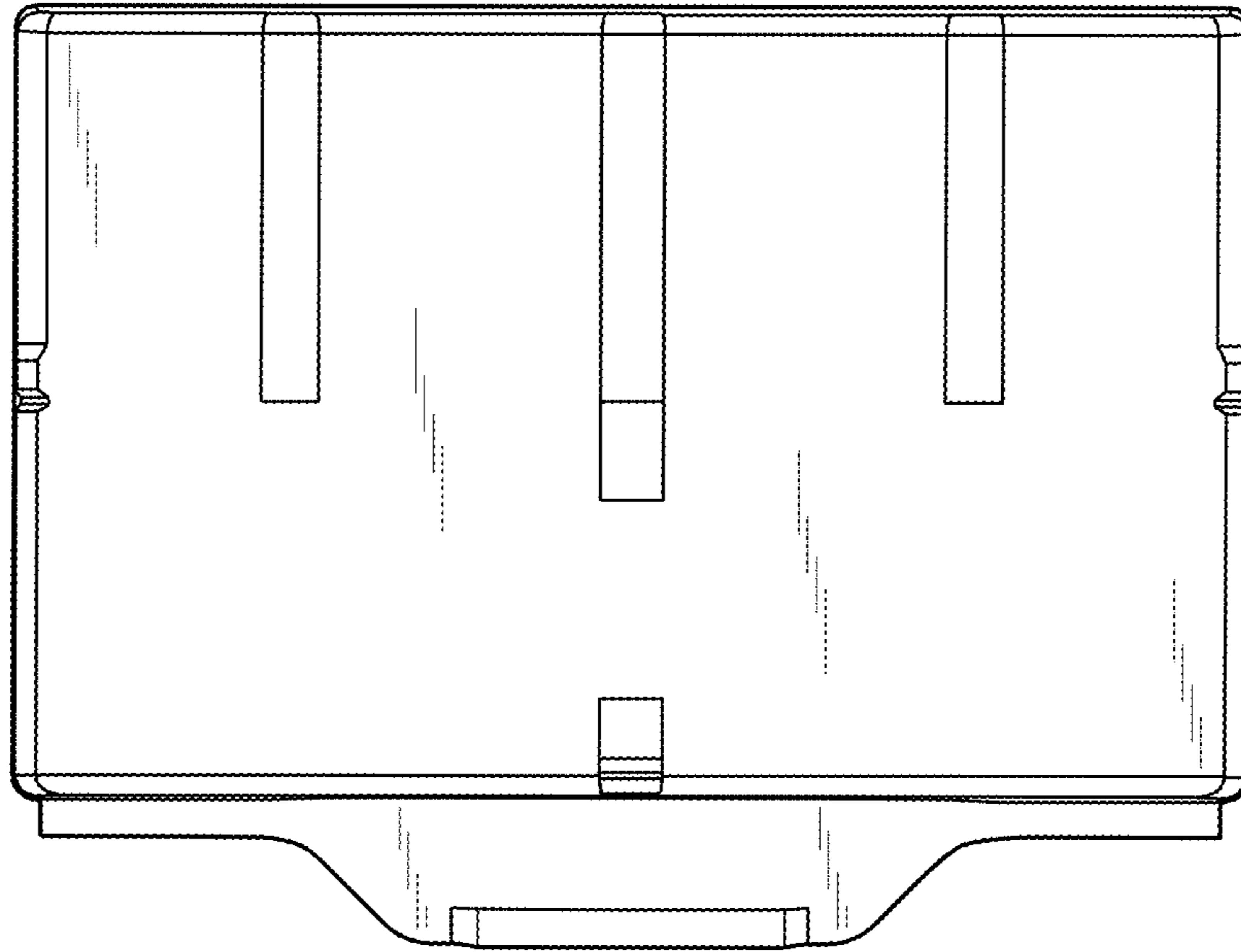


FIG. 4

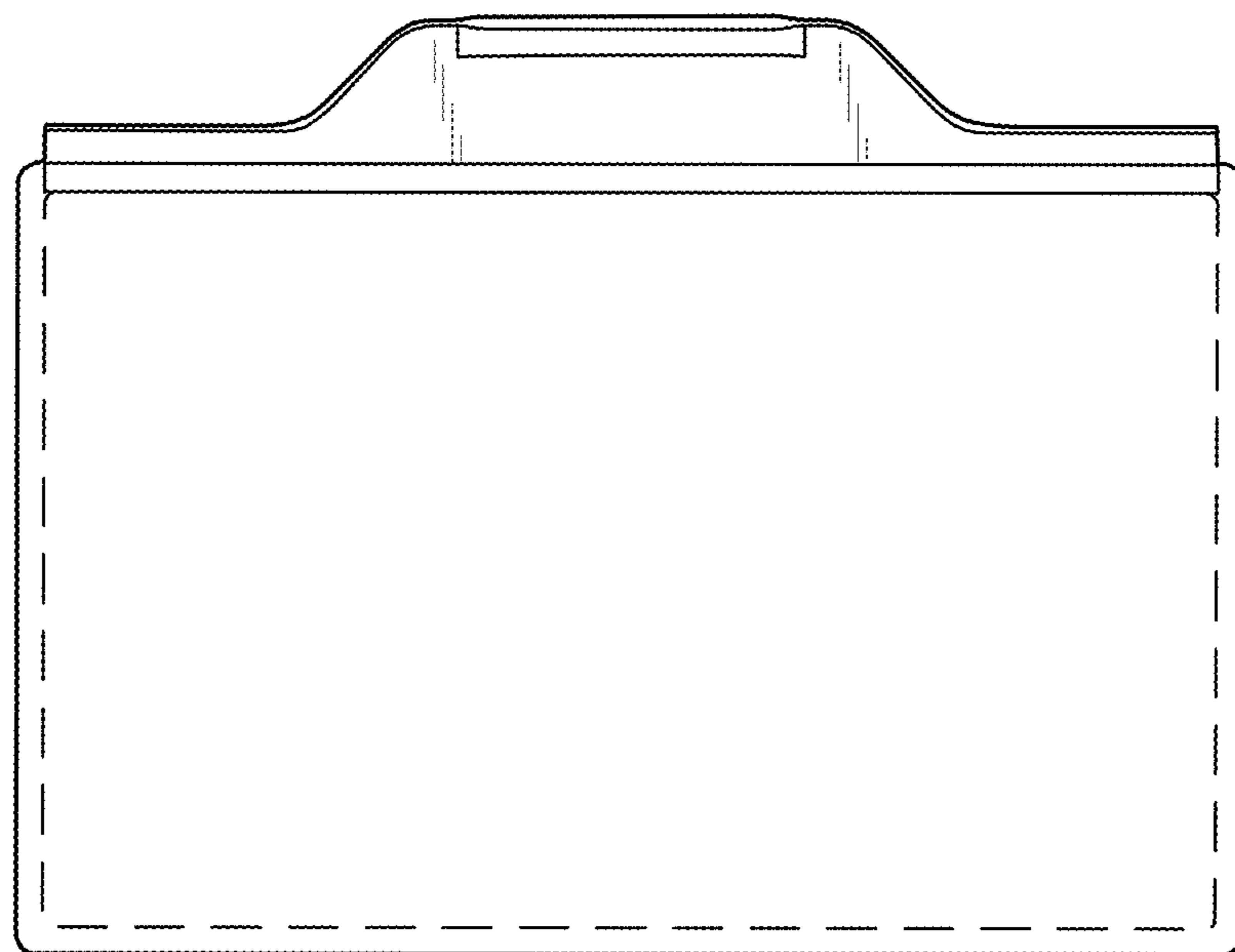


FIG. 5

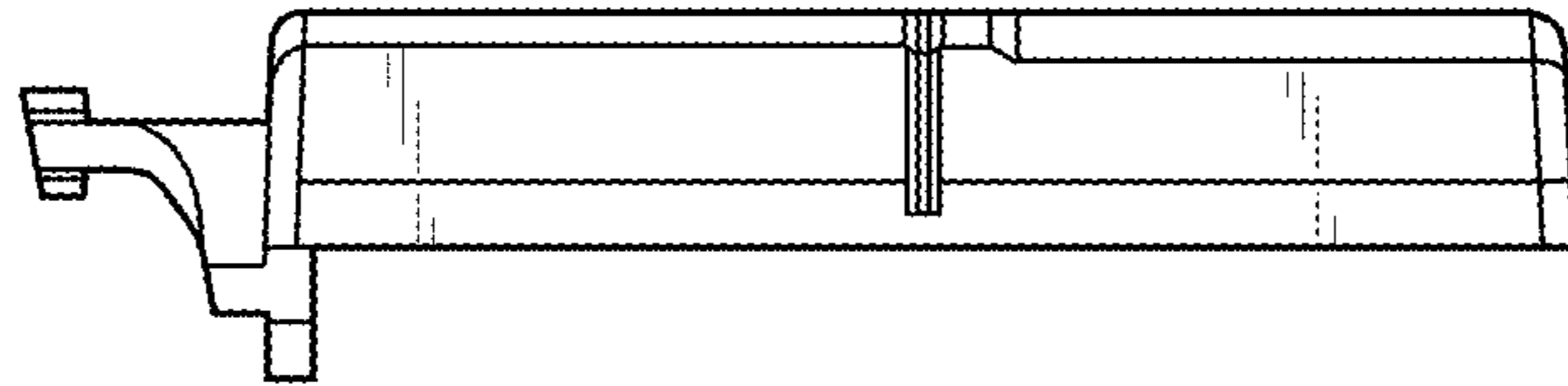


FIG. 6

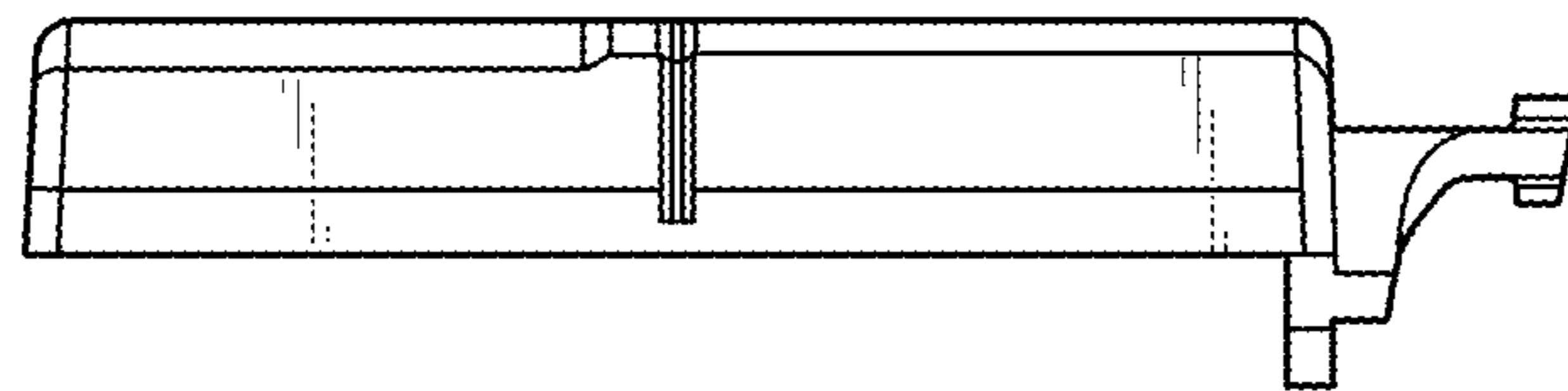


FIG. 7