



US00D820349S

(12) **United States Design Patent**
Rashleigh et al.

(10) **Patent No.:** **US D820,349 S**
(45) **Date of Patent:** **** Jun. 12, 2018**

(54) **MUSICAL INSTRUMENT**
(71) Applicant: **Warwick Music Limited**, Coventry
(GB)

D135,719 S * 5/1943 Peers D21/454
2,556,535 A * 6/1951 Hansen A63B 21/0603
84/382
2,758,497 A * 8/1956 Sarad G10D 9/026
84/399

(Continued)

(72) Inventors: **Hugh Michael Rashleigh**, Coventry
(GB); **Steven Robert Greenall**,
Coventry (GB); **Christopher Fower**,
Coventry (GB); **Mathew Robert Pope**,
Coventry (GB)

FOREIGN PATENT DOCUMENTS

CH 561456 A5 * 4/1975 G10D 7/10
FR 682019 A * 5/1930 G10D 7/066

(73) Assignee: **Warwick Music Limited**, Coventry
(GB)

OTHER PUBLICATIONS

Ralph Borland, Jubilee, art piece created in 2004, [online], [site
visited on Sep. 22, 2017]. Available from Internet, URL: [http://
ralphborland.net/promisedland/jubilee.html](http://ralphborland.net/promisedland/jubilee.html) (Year: 2004).*

(Continued)

(**) Term: **15 Years**

Primary Examiner — Sheryl Lane
Assistant Examiner — Samantha N Wood
(74) *Attorney, Agent, or Firm* — Troutman Sanders LLP;
Ryan A. Schneider; Chris N. Davis

(21) Appl. No.: **29/571,542**

(22) Filed: **Jul. 19, 2016**

(30) **Foreign Application Priority Data**

Feb. 2, 2016 (EM) 002967752-0001

(51) **LOC (11) Cl.** **17-02**

(52) **U.S. Cl.**
USPC **D17/11**

(58) **Field of Classification Search**
USPC D17/10-13, 99; D16/130, 132;
D21/405, 409, 410, 324
CPC G10D 7/066; G10D 7/08; G10D 7/10;
G10D 9/02; G10D 15/00; G10D 17/00
See application file for complete search history.

(57) **CLAIM**

The ornamental design for a musical instrument, as shown
and described.

DESCRIPTION

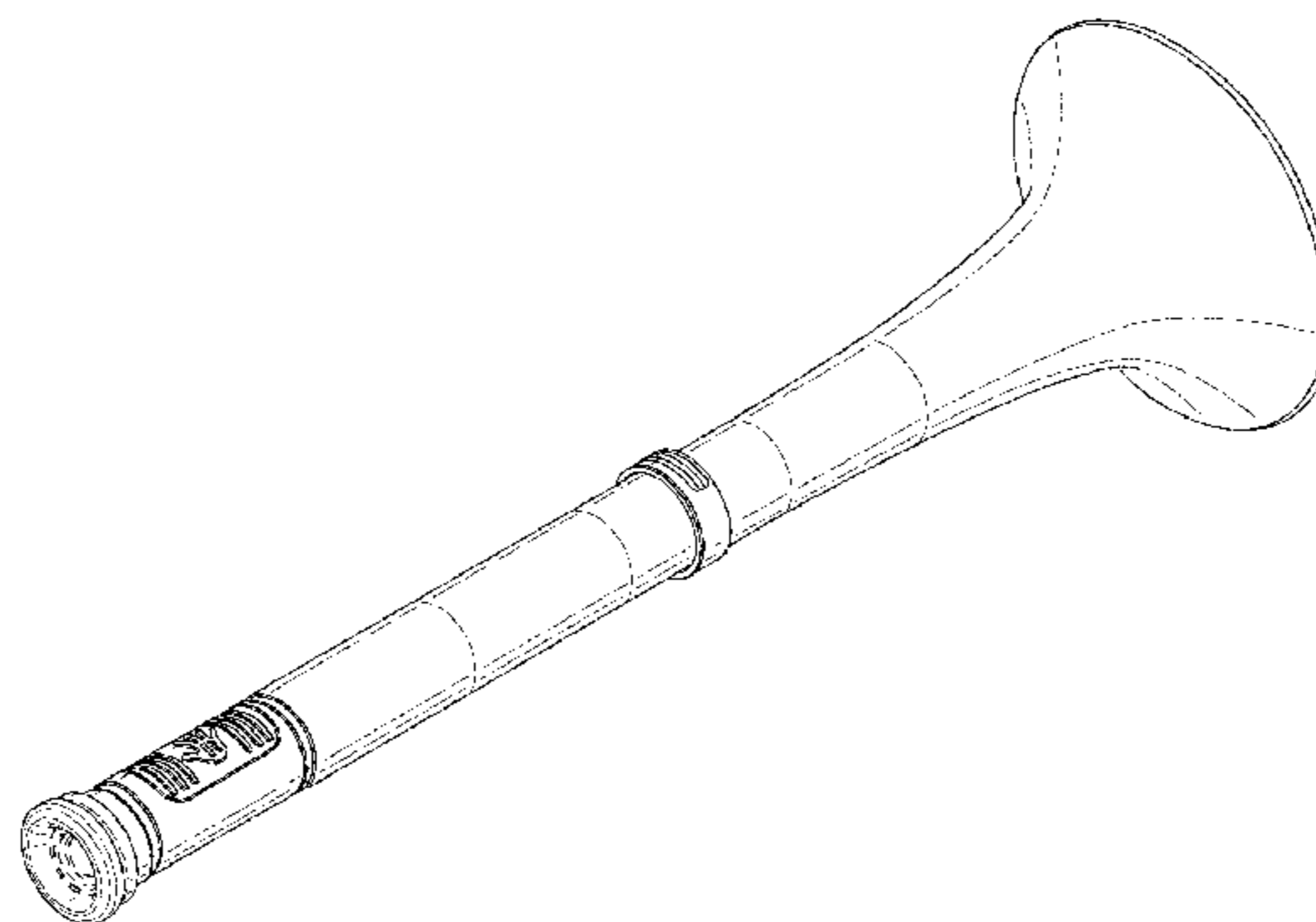
FIG. 1 is a perspective view of a musical instrument
showing my new design in a partly extended state;
FIG. 2 is a front view thereof;
FIG. 3 is a rear view thereof;
FIG. 4 is a perspective view thereof, in a further extended
state;
FIG. 5 is a perspective view thereof, in a fully extended
state;
FIG. 6 is a side view thereof, in a fully extended state; and,
FIG. 7 is top view thereof, in a fully extended state.
The broken lines are included for the purpose of illustrating
portions of the musical instrument that forms no part of the
claimed design.

(56) **References Cited**

U.S. PATENT DOCUMENTS

D55,149 S * 5/1920 Cheney D17/13
D57,511 S * 4/1921 Couturier D17/13
D101,969 S * 11/1936 Peebles D17/10
D128,476 S * 7/1941 Berlin D10/119.2

1 Claim, 7 Drawing Sheets



(56)

References Cited

U.S. PATENT DOCUMENTS

D245,405 S * 8/1977 Nelson D10/120
D288,140 S * 2/1987 Fontlladosa D1/102
5,218,150 A * 6/1993 Pastor G10D 9/026
84/398
6,087,572 A * 7/2000 Dillon G10D 7/10
84/387 R
D474,802 S * 5/2003 Tuttle D17/9
D504,146 S * 4/2005 Suzuki D17/11
D770,561 S * 11/2016 Clissold D17/10
2010/0104351 A1 * 4/2010 Chen B43K 7/005
401/195

OTHER PUBLICATIONS

Amazon, World Cup Stadium Horn Blue 29 inches, customer review on Jul. 22, 2010, [online], [site visited on Sep. 22, 2017]. Available from Internet, URL: <https://www.amazon.com/World-Stadium-Horn-Blue-inches/dp/B003RYUNYY> (Year: 2010).*

* cited by examiner

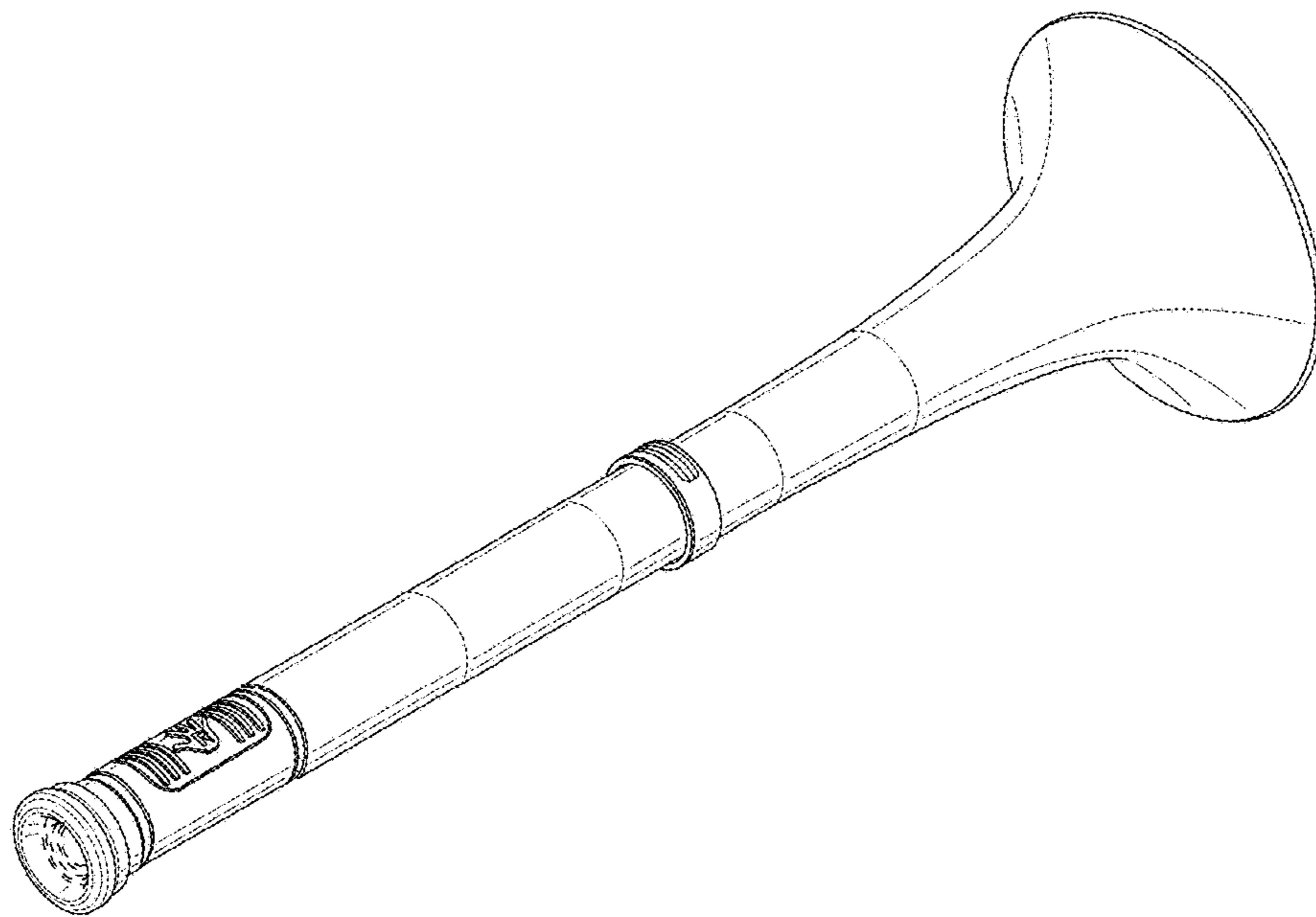


FIG. 1

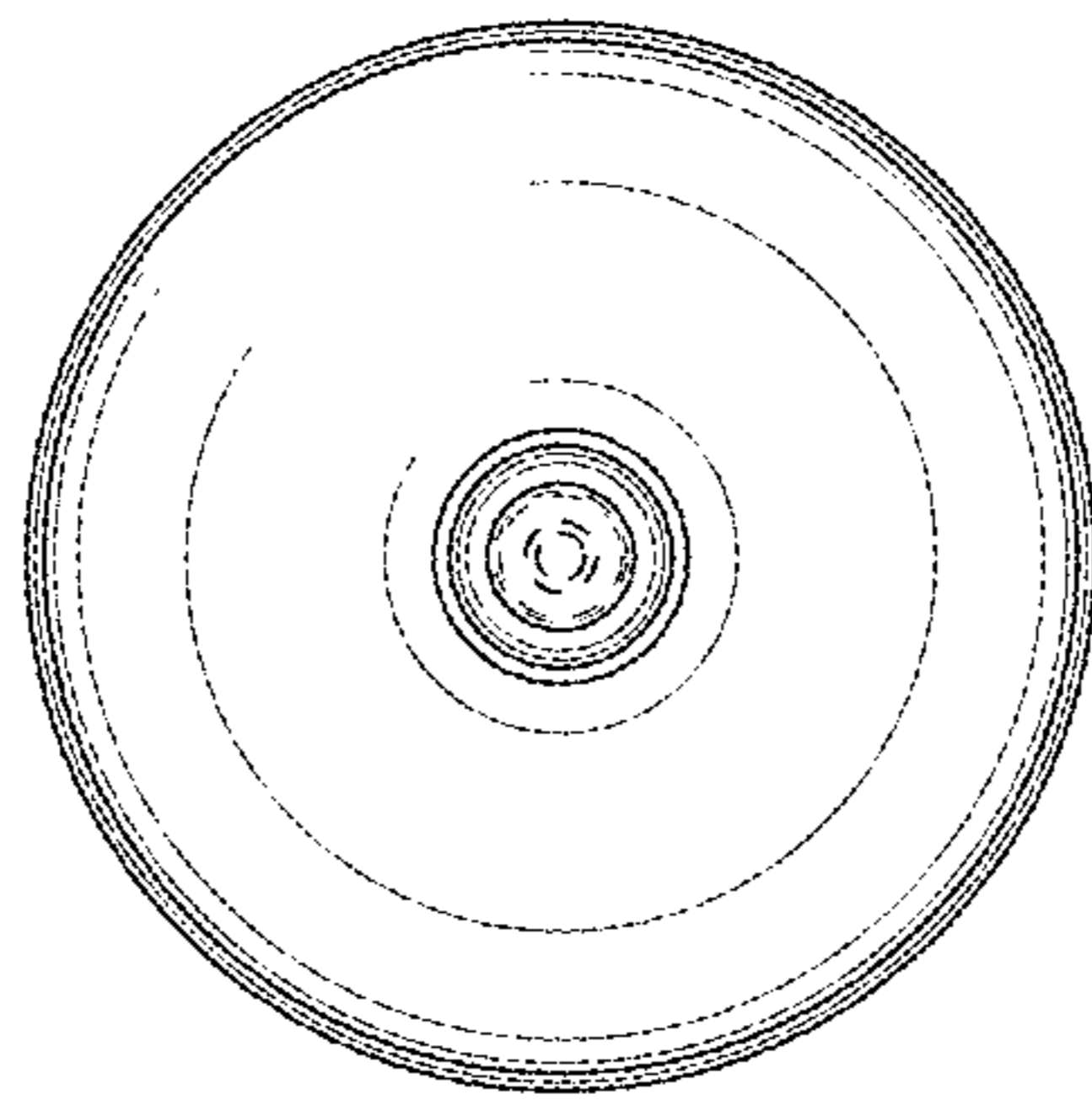


FIG. 2

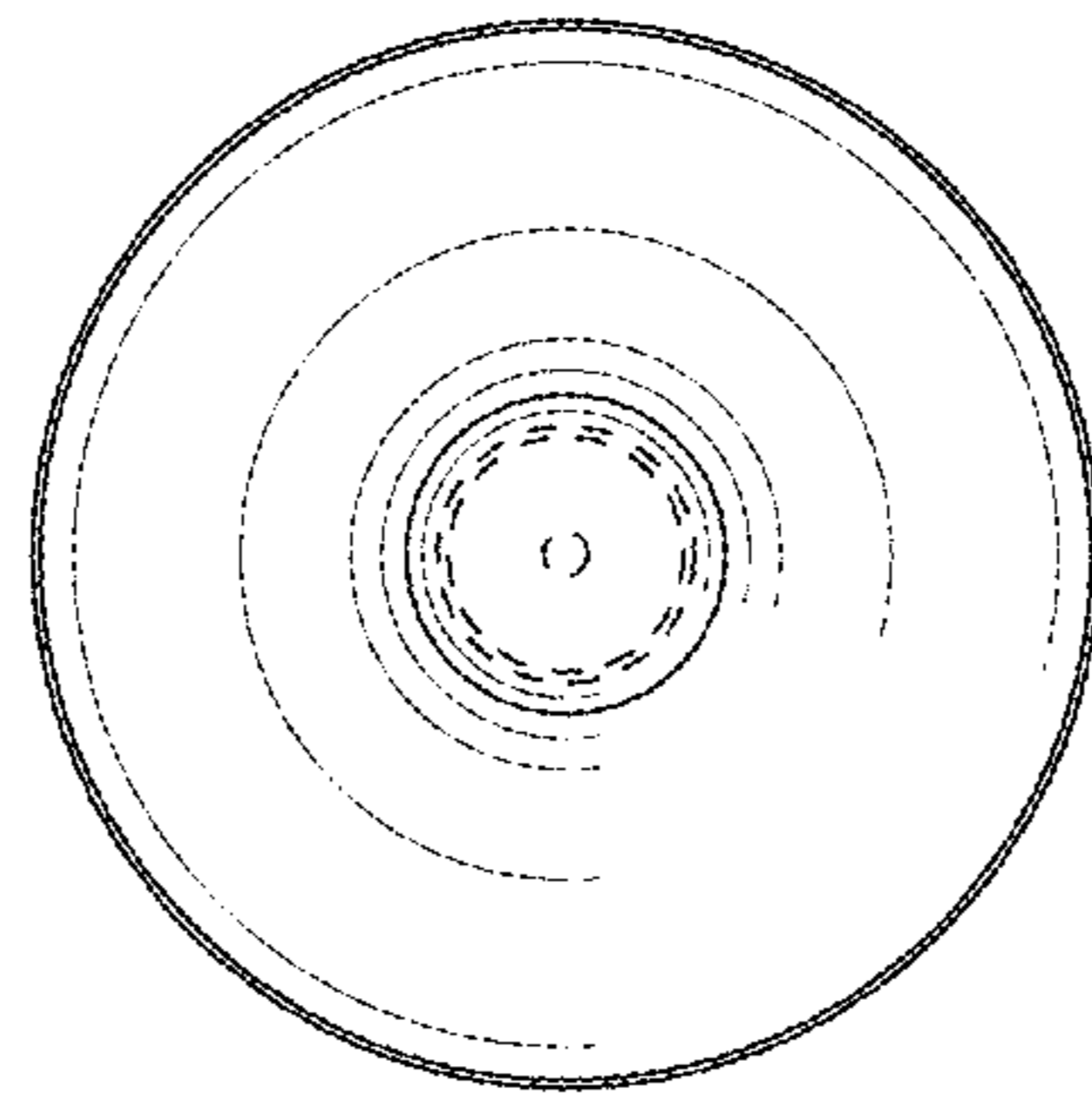


FIG. 3

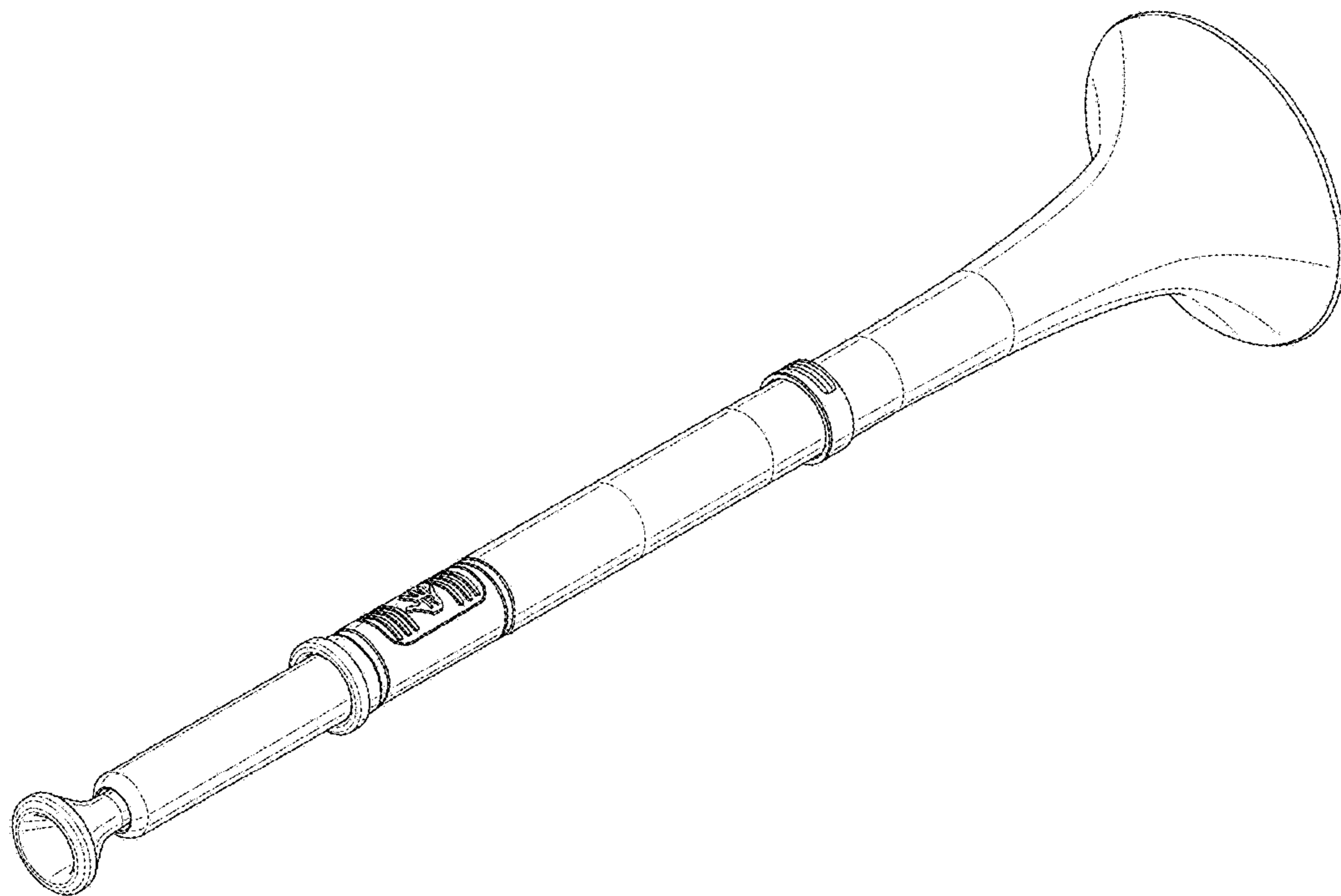


FIG. 4

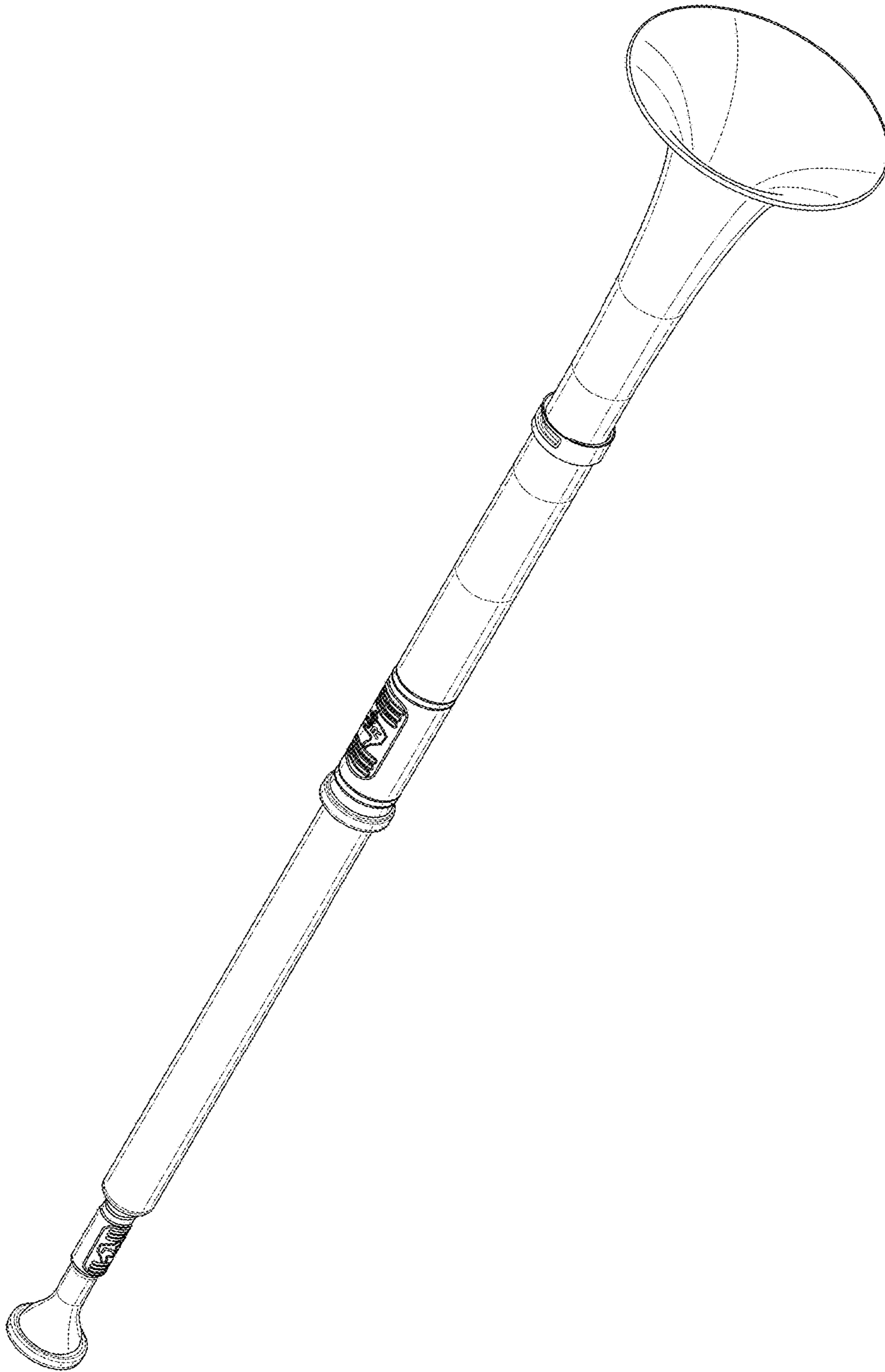


FIG. 5

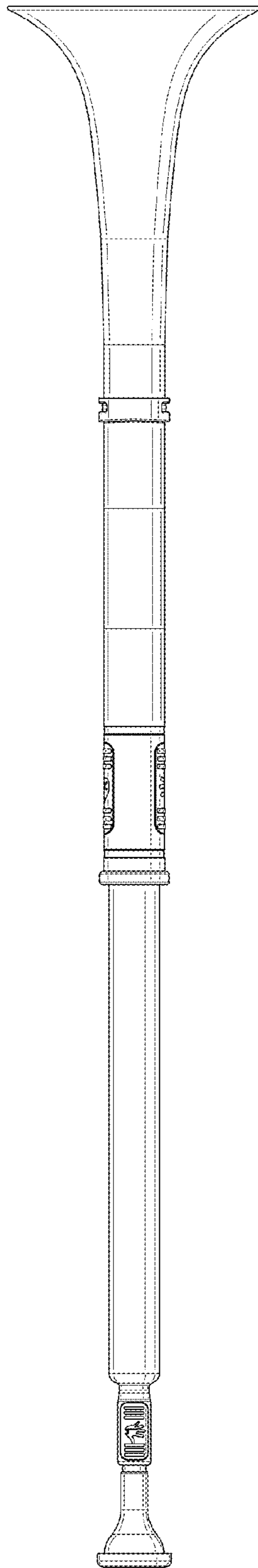


FIG. 6

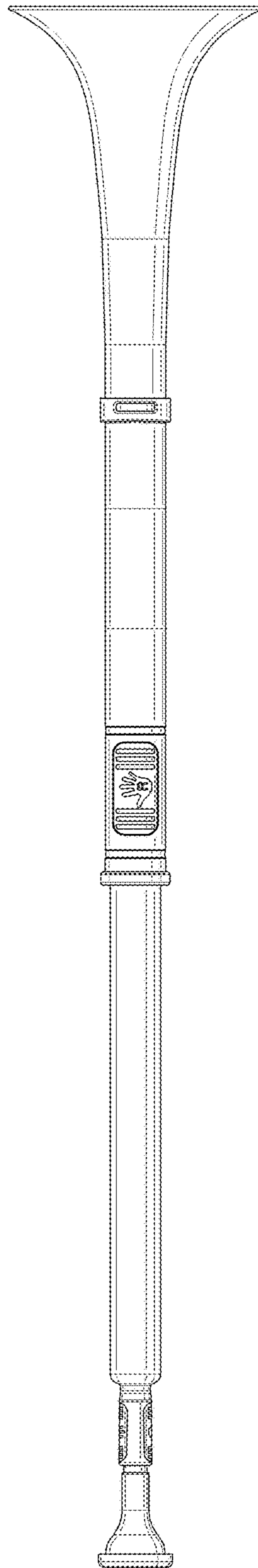


FIG. 7