



US00D820348S

(12) **United States Design Patent**
Serlenga

(10) **Patent No.:** **US D820,348 S**
(45) **Date of Patent:** **** Jun. 12, 2018**

(54) **EYEGLASSES**
(71) Applicant: **Silhouette International Schmied AG,**
Linz (AT)
(72) Inventor: **Sonia Serlenga,** Altenberg (AT)
(73) Assignee: **SILHOUETTE INTERNATIONAL**
SCHMIED AG, Linz (AT)

6,655,800 B2 12/2003 Takeda et al.
6,729,725 B1 5/2004 Cheng
D531,656 S 11/2006 Della Valle
D533,579 S 12/2006 Raile
D534,943 S 1/2007 Mouclier
D536,723 S * 2/2007 Mouclier D16/321
(Continued)

(**) Term: **15 Years**
(21) Appl. No.: **29/600,293**
(22) Filed: **Apr. 11, 2017**
(30) **Foreign Application Priority Data**

Jan. 12, 2017 (EM) 003619774
(51) **LOC (11) Cl.** **16-06**
(52) **U.S. Cl.**
USPC **D16/335**

(58) **Field of Classification Search**
USPC D16/101, 300-342, 900; D29/109-110;
D21/483, 659-661; D14/372; 351/41,
351/44, 45-48, 51-52, 62, 158, 92,
351/103-123, 140-153, 63, 59; 2/13, 15,
2/426-432, 447-449, 441, 434-437
CPC G02C 2200/08; G02C 1/06; G02C 5/14;
G02C 11/02; G02C 11/04; G02C 5/16;
G02C 2200/22; G02C 5/146; G02C
5/2254; G02C 5/008; G01C 5/16; A61M
2021/0044; A63B 33/002
See application file for complete search history.

(56) **References Cited**
U.S. PATENT DOCUMENTS
1,285,177 A 11/1918 Hochstein
D149,634 S 5/1948 Hansen
D152,502 S 1/1949 Stegeman
D406,859 S 3/1999 Brune
D455,451 S 4/2002 Onodera

OTHER PUBLICATIONS

Mosaic (5468), [online], [site visited Mar. 1, 2017]. Available from Internet, <URL:https://www.silhouette.com/us/en/optical-eyewear/mosaic/5470/6052>.*

Primary Examiner — Michelle E Wilson
Assistant Examiner — Sanjeev Paul
(74) *Attorney, Agent, or Firm* — Alston & Bird LLP

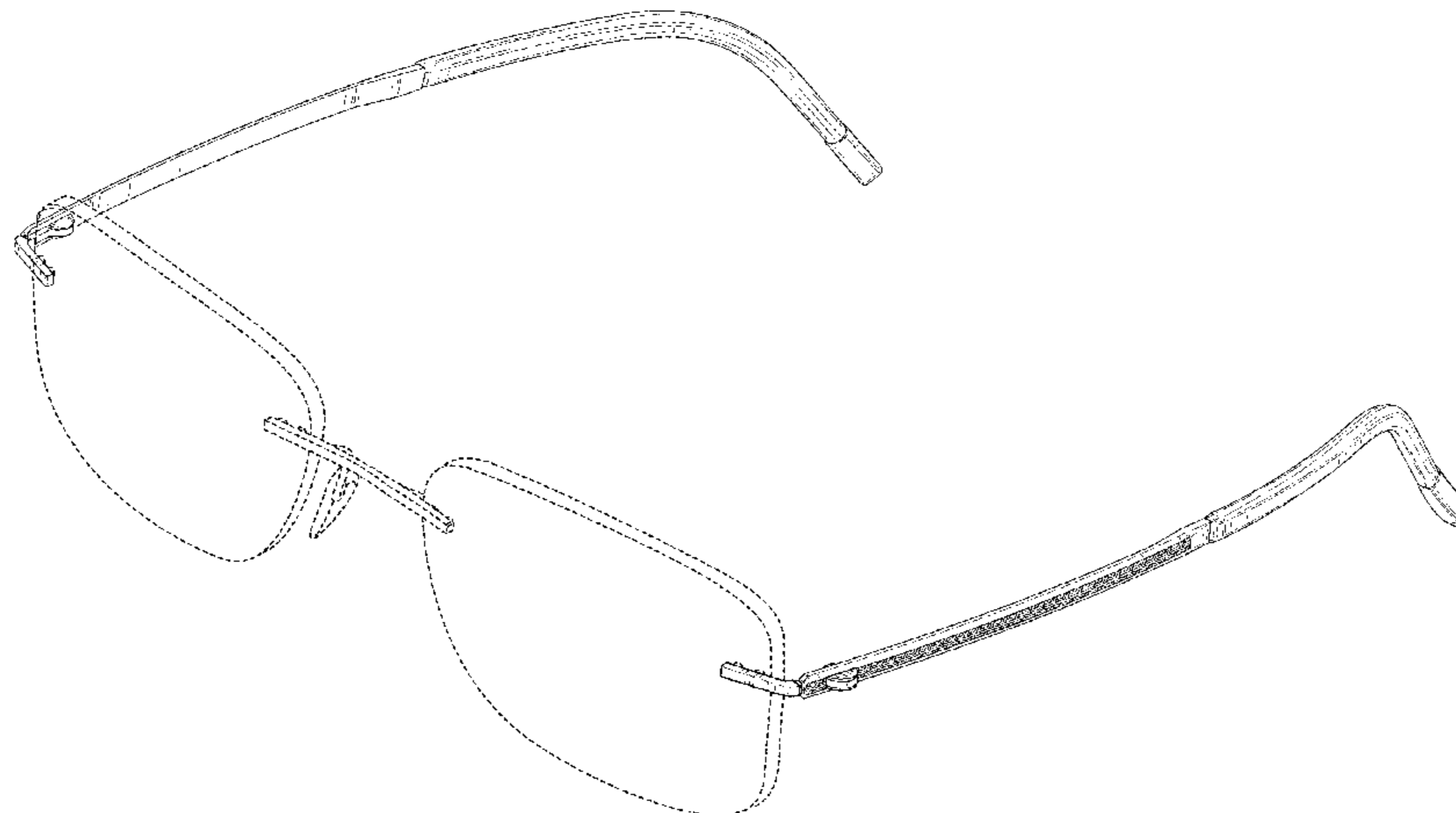
(57) **CLAIM**

I claim the ornamental design for eyeglasses, as shown and described.

DESCRIPTION

FIG. 1 is a perspective view of eyeglasses showing my new design;
FIG. 2 is a front elevation view thereof;
FIG. 3 is a rear elevation view thereof;
FIG. 4 is a top plan view thereof;
FIG. 5 is a bottom plan view thereof;
FIG. 6 is a left side elevation view thereof, the right side being a mirror image thereof;
FIG. 7 is a left side elevation cross-section view thereof taken along line 7-7 in FIG. 4;
FIG. 8 is a left side elevation view of an enlarged portion thereof identified by circle 8-8 in FIG. 7; and,
FIG. 9 is a top plan view of an enlarged portion thereof identified by circle 9-9 in FIG. 4, shown in a partially open, partially closed position of use.
The broken lines are directed to unclaimed features of the eyeglasses. The broken lines form no part of the claimed design.

1 Claim, 8 Drawing Sheets



(56)

References Cited

U.S. PATENT DOCUMENTS

D544,901 S * 6/2007 Fuchs D16/327
 D552,156 S 10/2007 Fuchs
 D556,819 S 12/2007 Fuchs
 D567,838 S 4/2008 Fuchs
 D567,839 S * 4/2008 Fuchs D16/315
 D573,170 S * 7/2008 Fuchs D16/316
 D577,377 S 9/2008 Fuchs
 D581,448 S 11/2008 Fuchs
 D582,965 S 12/2008 Fuchs
 D590,005 S 4/2009 Fuchs
 D593,593 S * 6/2009 Fuchs D16/315
 D597,123 S * 7/2009 Strecker D16/315
 D601,181 S 9/2009 Fuchs
 D602,975 S 10/2009 Fuchs
 D604,758 S 11/2009 Rohrbach et al.
 D631,084 S 1/2011 Phillips
 D632,327 S * 2/2011 Fuchs D16/326
 D633,128 S * 2/2011 Fuchs D16/311
 D633,940 S 3/2011 Preuer-Lackner
 D634,774 S * 3/2011 Fuchs D16/327
 D638,873 S * 5/2011 Fuchs D16/315

D650,002 S 12/2011 Zoonens
 D650,411 S * 12/2011 Fuchs D16/300
 D654,947 S 2/2012 Shin et al.
 D661,723 S 6/2012 Fuchs
 D671,982 S 12/2012 Fuchs
 D671,983 S 12/2012 Fuchs
 D675,670 S 2/2013 Fuchs
 D678,390 S * 3/2013 Fuchs D16/315
 D712,452 S * 9/2014 Fuchs D16/335
 D721,128 S 1/2015 Yoo
 D724,133 S * 3/2015 Fuchs D16/315
 D741,943 S * 10/2015 Keplinger D16/315
 D743,477 S * 11/2015 Strecker D16/335
 D757,158 S * 5/2016 Fuchs D16/315
 D761,898 S * 7/2016 Yoo D16/326
 D765,161 S * 8/2016 Sallard D16/315
 D767,014 S * 9/2016 Fuchs D16/315
 D775,264 S * 12/2016 Fuchs D16/326
 D778,341 S * 2/2017 Chae D16/326
 D781,952 S * 3/2017 Fuchs D16/335
 D801,420 S * 10/2017 Fuchs D16/330
 D804,564 S * 12/2017 Fuchs D16/321
 2011/0013134 A1 * 1/2011 Siu G02C 1/02
 351/110

* cited by examiner

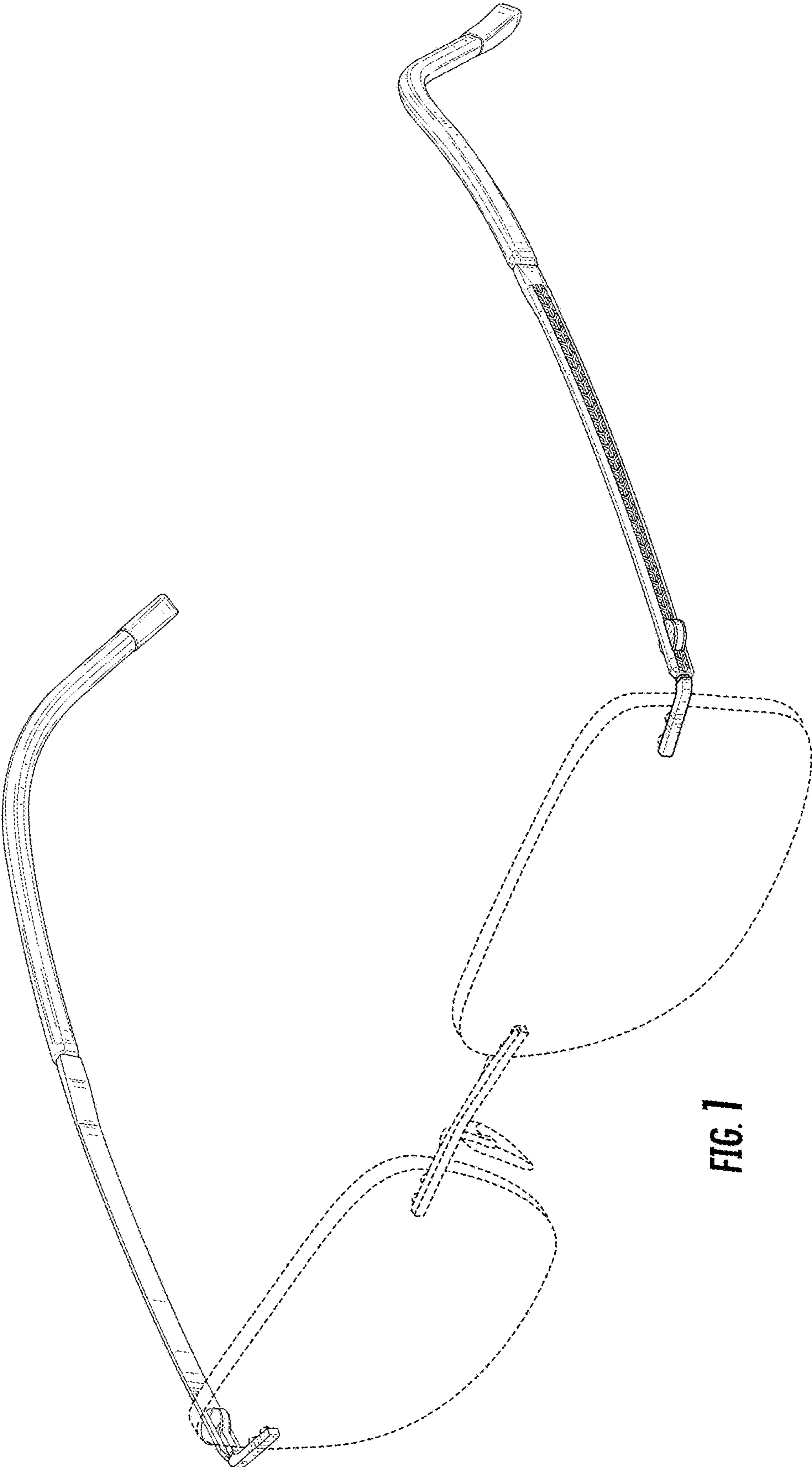


FIG. 1

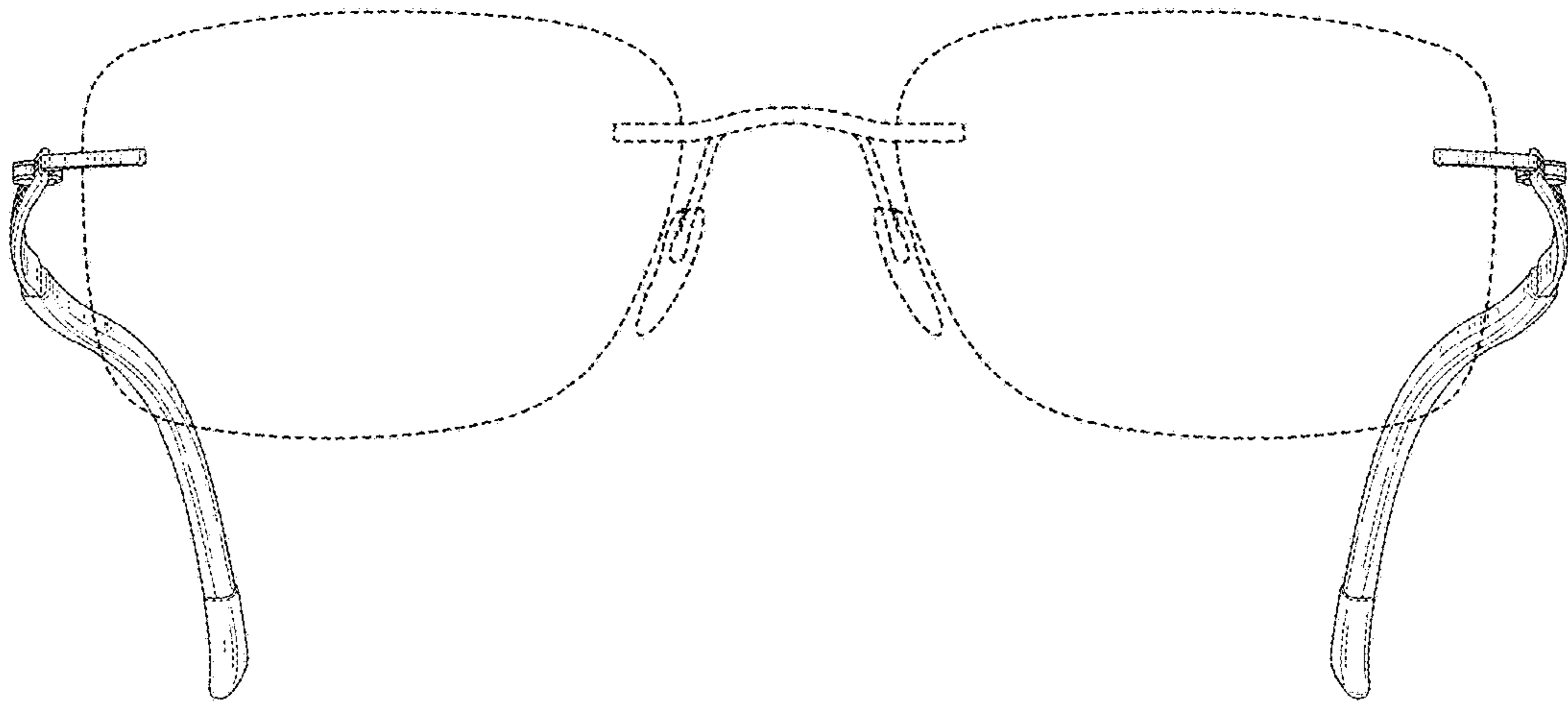


FIG. 2

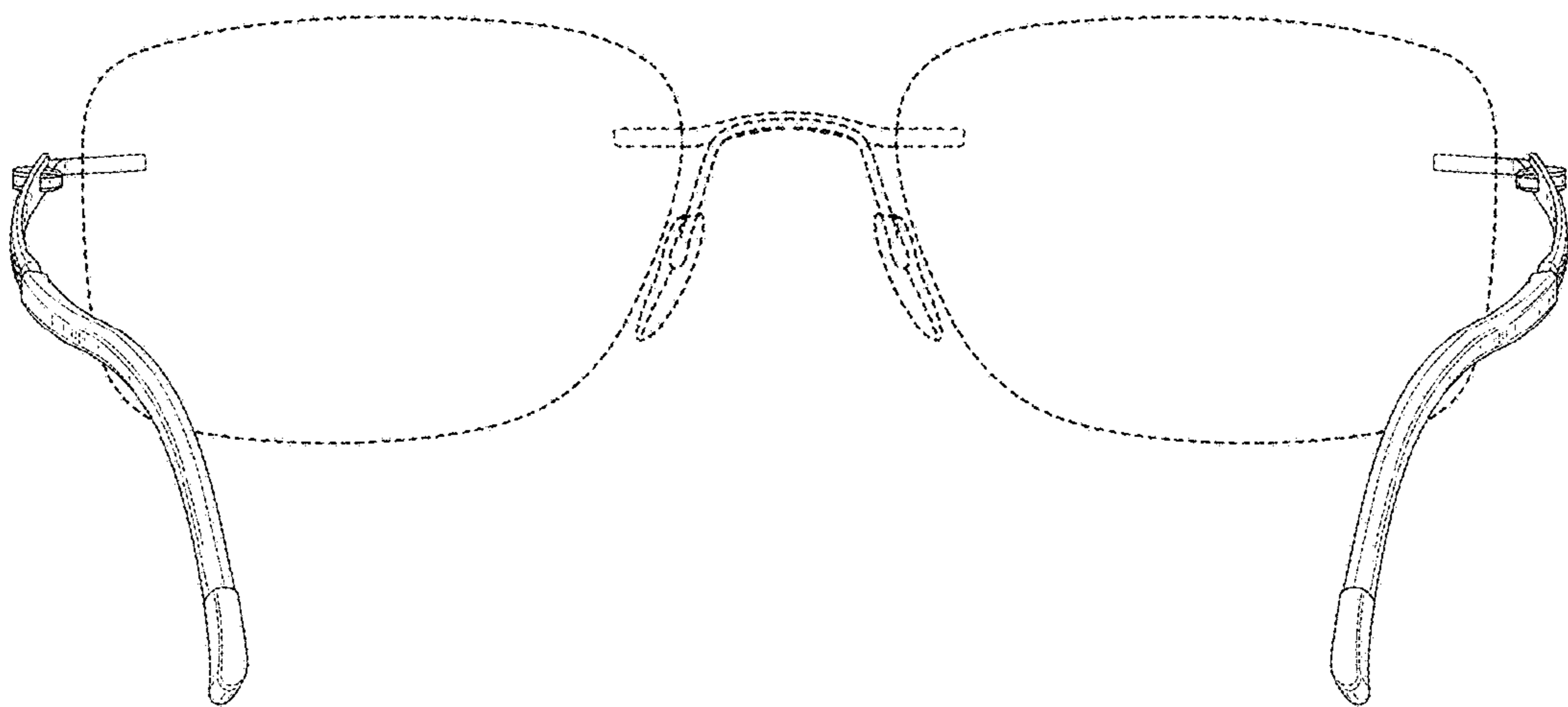


FIG. 3

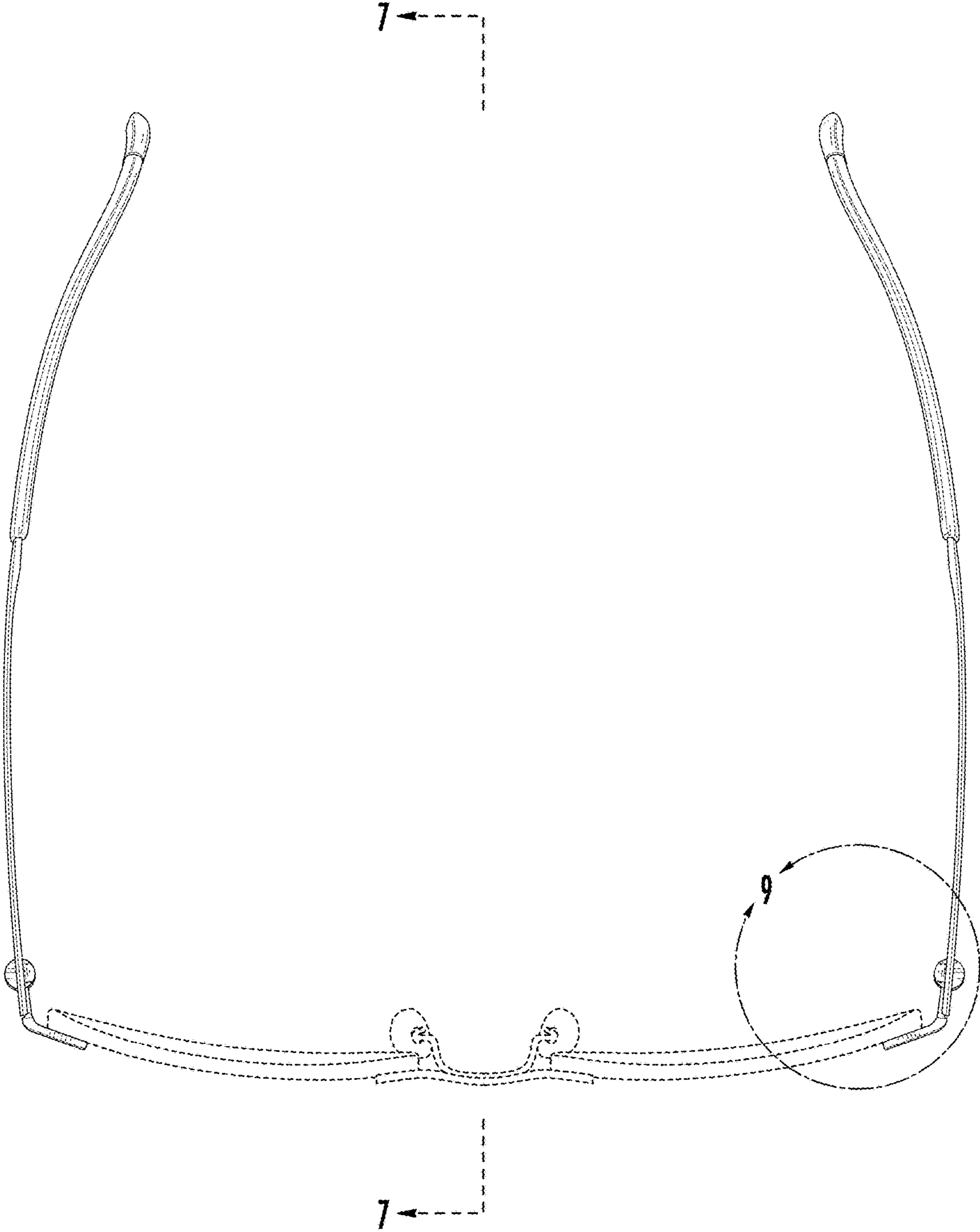


FIG. 4

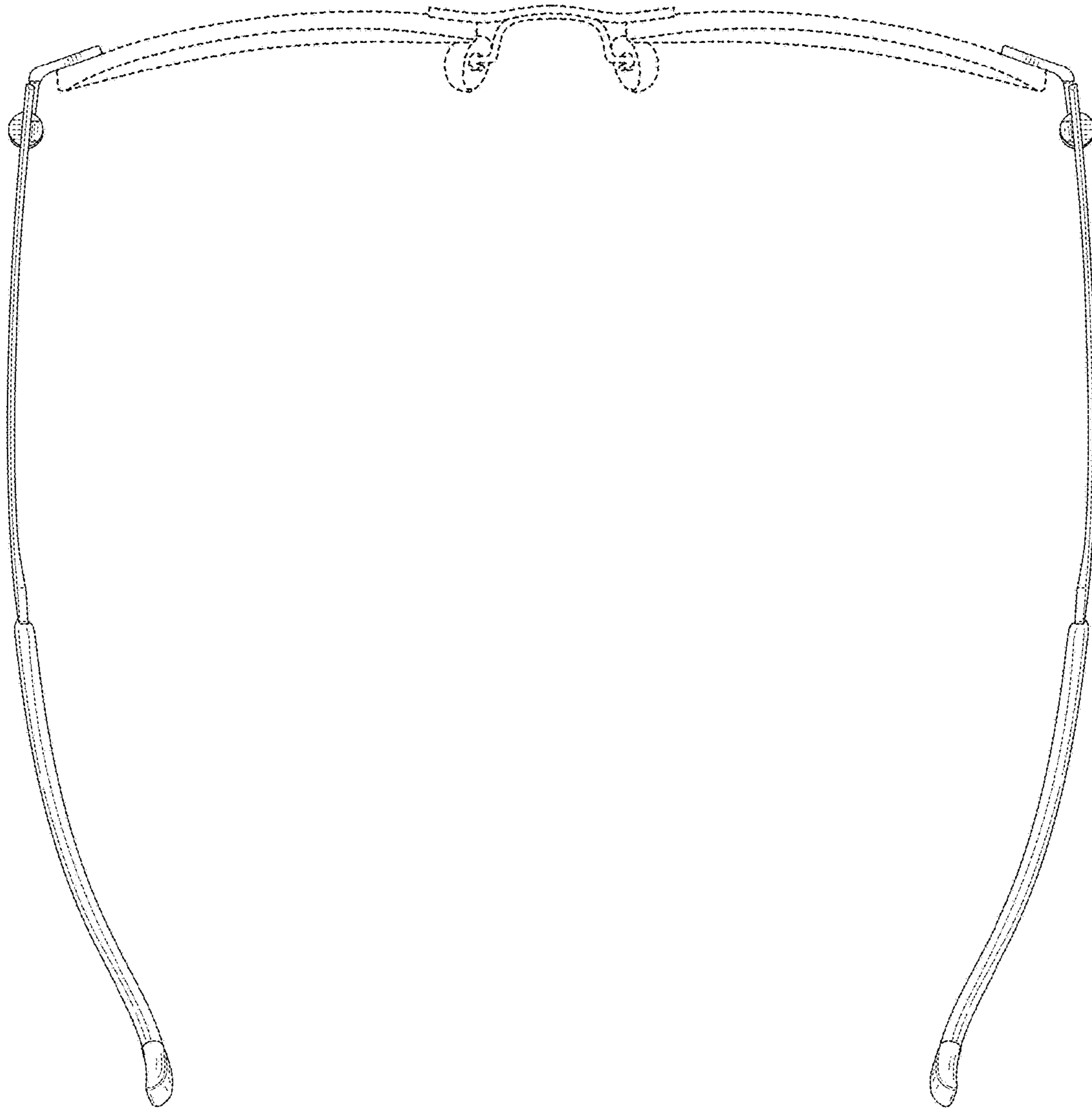


FIG. 5

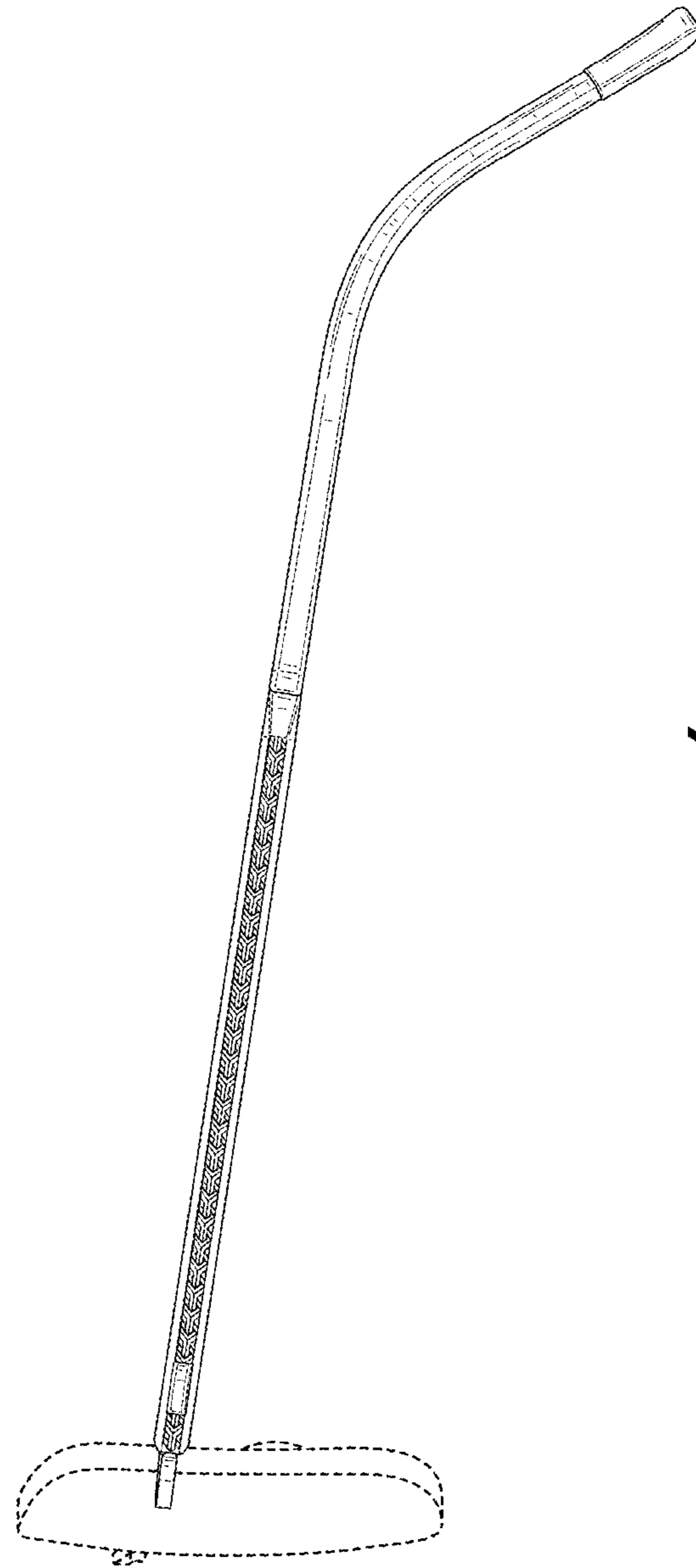


FIG. 6

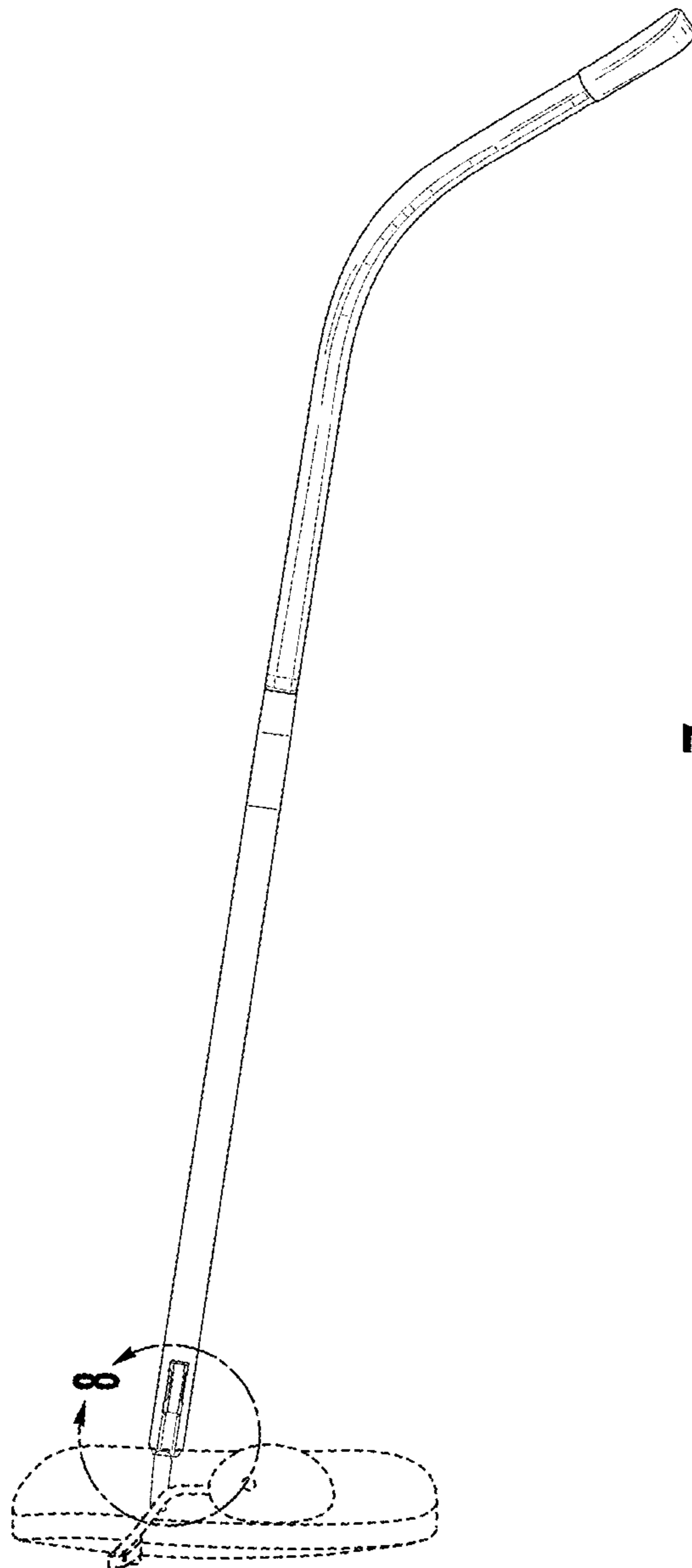


FIG. 7

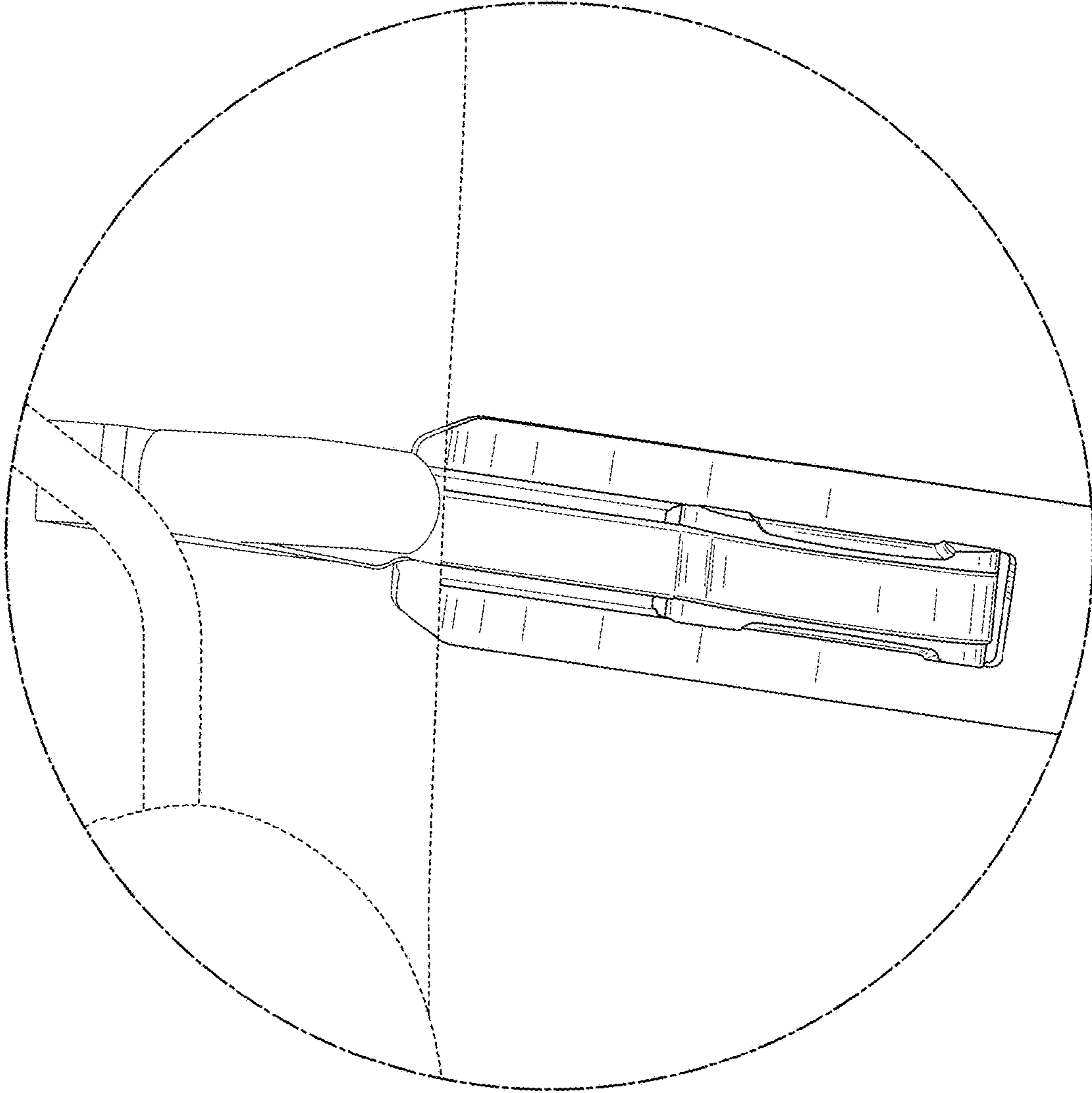


FIG. 8

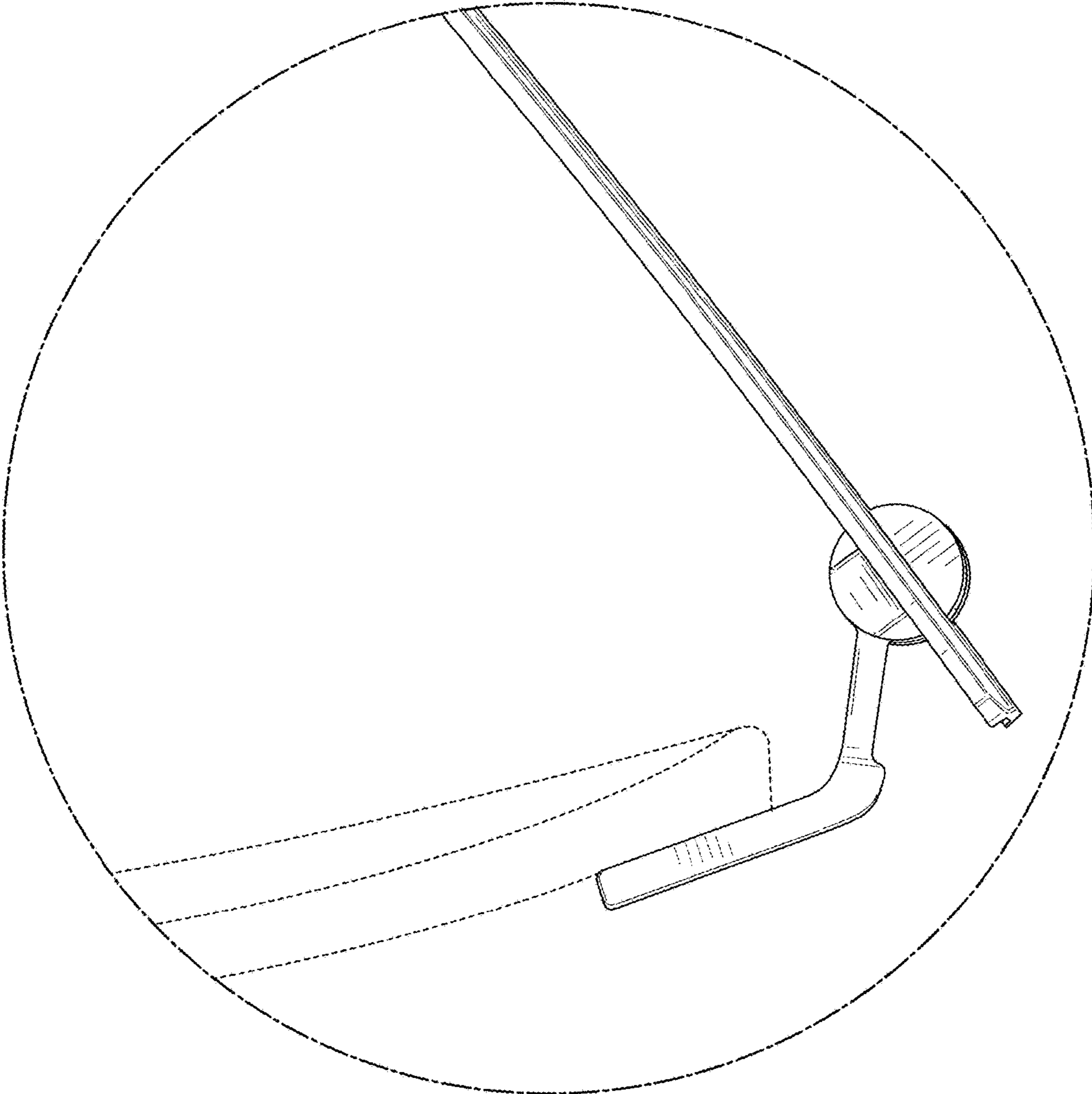


FIG. 9