



US00D820345S

(12) **United States Design Patent**
Chiang

(10) **Patent No.:** **US D820,345 S**
(45) **Date of Patent:** **** Jun. 12, 2018**

- (54) **SWIMMING GOGGLE**
- (71) Applicant: **Global Esprit Inc.**, New Taipei (TW)
- (72) Inventor: **Herman Chiang**, New Taipei (TW)
- (**) Term: **15 Years**
- (21) Appl. No.: **29/605,307**
- (22) Filed: **May 25, 2017**
- (51) **LOC (11) Cl.** **16-06**
- (52) **U.S. Cl.**
USPC **D16/303**
- (58) **Field of Classification Search**
USPC D16/101, 300–342, 900; D29/109–110;
D21/483, 659–661; D14/372; 351/41,
351/44, 45–48, 51–52, 62, 158, 92,
351/103–123, 140–153, 63, 59; 2/13, 15,
2/426–432, 447–449, 441, 434–437
CPC G02C 2200/08; G02C 1/06; G02C 5/14;
G02C 5/16; G02C 11/02; G02C 11/04;
G02C 2200/22; G02C 5/146; G02C
5/2254; G02C 5/008; G01C 5/16; A61M
2021/0044; A63B 33/002
See application file for complete search history.

(56) **References Cited**

U.S. PATENT DOCUMENTS

D555,700 S *	11/2007	Chiang	D16/303
D574,032 S *	7/2008	Chiang	D16/303
D585,472 S *	1/2009	Chiang	D16/303
D589,076 S *	3/2009	Chiang	D16/303
D589,077 S *	3/2009	Chiang	D16/303
D590,002 S *	4/2009	Chiang	D16/303
D601,610 S *	10/2009	Chiang	D16/303
D613,786 S *	4/2010	Chiang	D16/303
D633,549 S *	3/2011	Chiang	D16/303
D648,371 S *	11/2011	Chiang	D16/303
8,117,680 B1 *	2/2012	Chou	A63B 33/002 2/450
D696,337 S *	12/2013	Chiang	D16/303

D717,858 S *	11/2014	Chiang	D16/303
D717,861 S *	11/2014	Chiang	D16/303
D717,862 S *	11/2014	Chiang	D16/303
D717,863 S *	11/2014	Chiang	D16/303
D723,611 S *	3/2015	Chiang	D16/303
D723,612 S *	3/2015	Chiang	D16/303
D745,081 S *	12/2015	Ooba	D16/303
D745,082 S *	12/2015	Ooba	D16/311
2002/0170108 A1 *	11/2002	Chiang	A63B 33/002 2/442
2002/0194669 A1 *	12/2002	Takeshi	A63B 33/002 2/452
2004/0187196 A1 *	9/2004	Haslbeck	A63B 33/002 2/426

(Continued)

OTHER PUBLICATIONS

Barracuda Dr.B Optical Swim Goggle F935—Honeycomb-structured Gaskets, announced Dec. 13, 2017, [online], [site visited Mar. 14, 2018]. Available from Internet, <URL: [https://www.amazon.com/gp/product/B073TW864T/ref=s9_dcacsd_dcoop_bw_c_x_2_w# customerReviews](https://www.amazon.com/gp/product/B073TW864T/ref=s9_dcacsd_dcoop_bw_c_x_2_w#customerReviews)> (Year: 2017).*

Primary Examiner — Eric L Goodman
Assistant Examiner — Sanjeev Paul

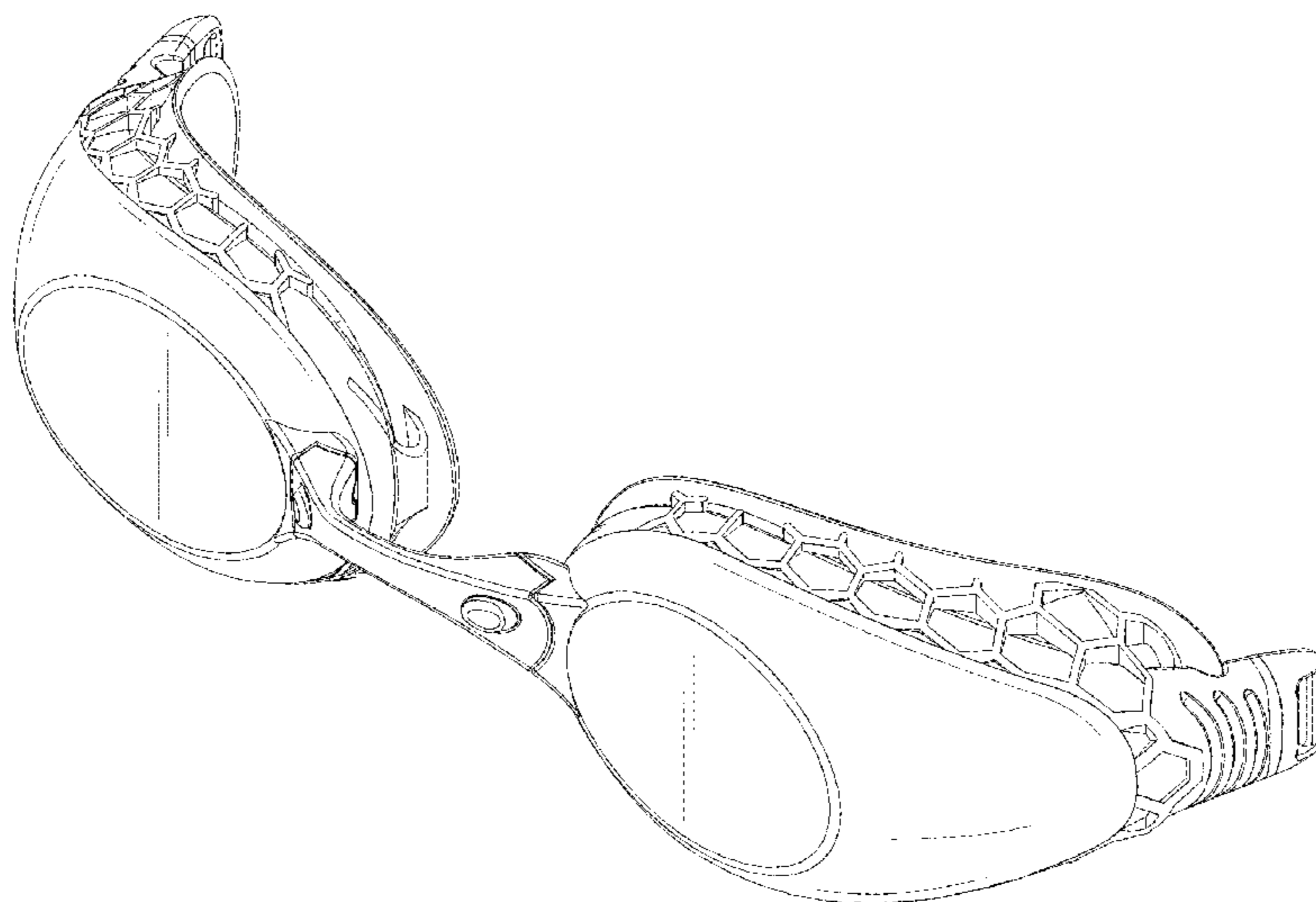
(57) **CLAIM**

The ornamental design for a swimming goggle, as shown and described.

DESCRIPTION

FIG. 1 is a perspective view of a swimming goggle showing my new design;
FIG. 2 is a front elevational view thereof;
FIG. 3 is a rear elevational view thereof;
FIG. 4 is a left elevational view thereof;
FIG. 5 is a right elevational view thereof;
FIG. 6 is a top plan view thereof; and,
FIG. 7 is a bottom plan view thereof.

1 Claim, 7 Drawing Sheets



(56)

References Cited

U.S. PATENT DOCUMENTS

2004/0187197 A1* 9/2004 Chiang A63B 33/002
2/445
2004/0210991 A1* 10/2004 Chiang A63B 33/002
2/445
2008/0263753 A1* 10/2008 Chiang A63B 33/002
2/431
2009/0064399 A1* 3/2009 Chou A63B 33/002
2/442
2009/0300828 A1* 12/2009 Chiang A63B 33/002
2/428
2010/0024098 A1* 2/2010 Chiang A63B 33/002
2/428
2011/0004981 A1* 1/2011 Chiang A63B 33/002
2/446
2011/0088150 A1* 4/2011 Tominaga A63B 33/002
2/440
2011/0302702 A1* 12/2011 Chiang A63B 33/002
2/442
2014/0331395 A1* 11/2014 Chiang A63B 33/002
2/442
2016/0016047 A1* 1/2016 Chiang A63B 33/002
2/440
2016/0030811 A1* 2/2016 Chiang A63B 33/002
2/442
2017/0252609 A1* 9/2017 Chiang A63B 33/002

* cited by examiner

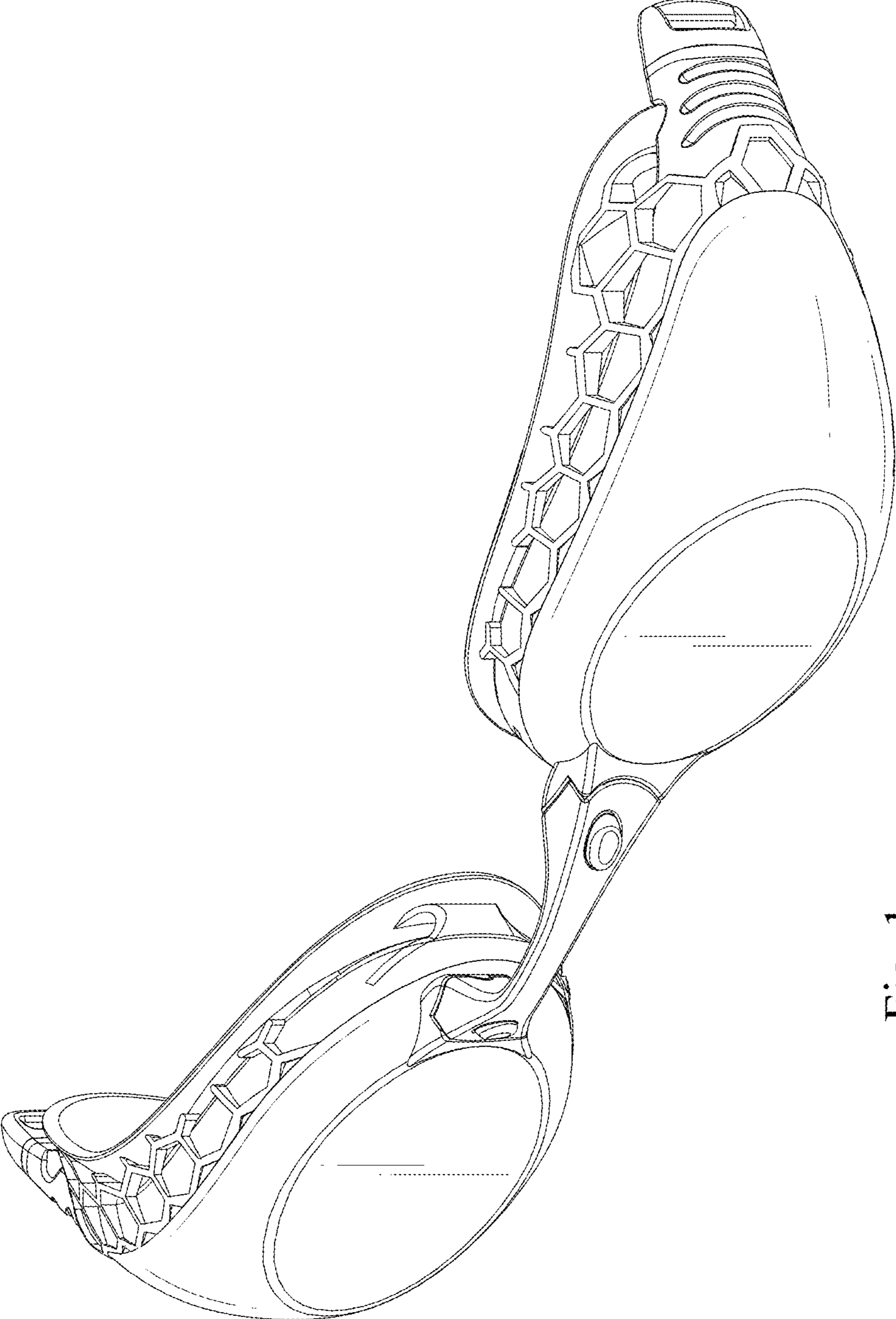


Fig. 1

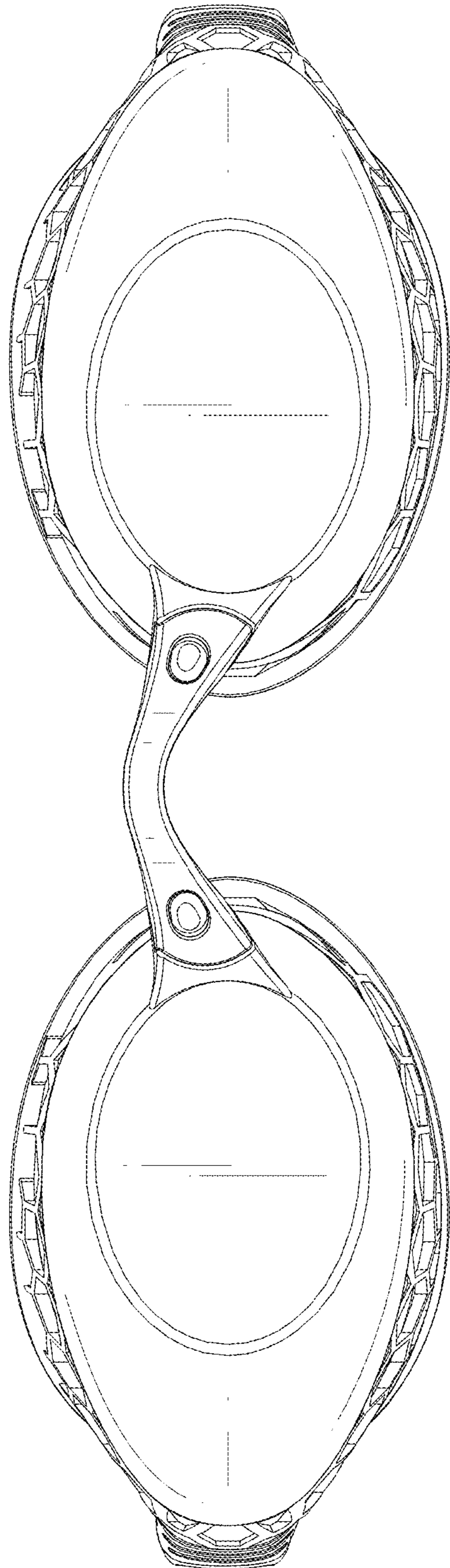


Fig. 2

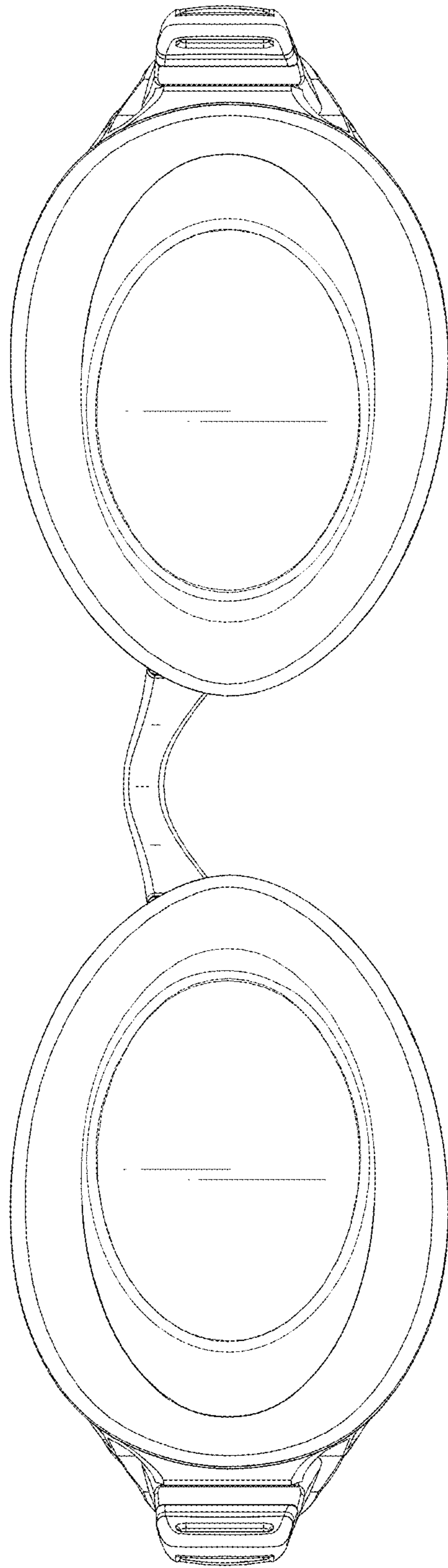


Fig. 3

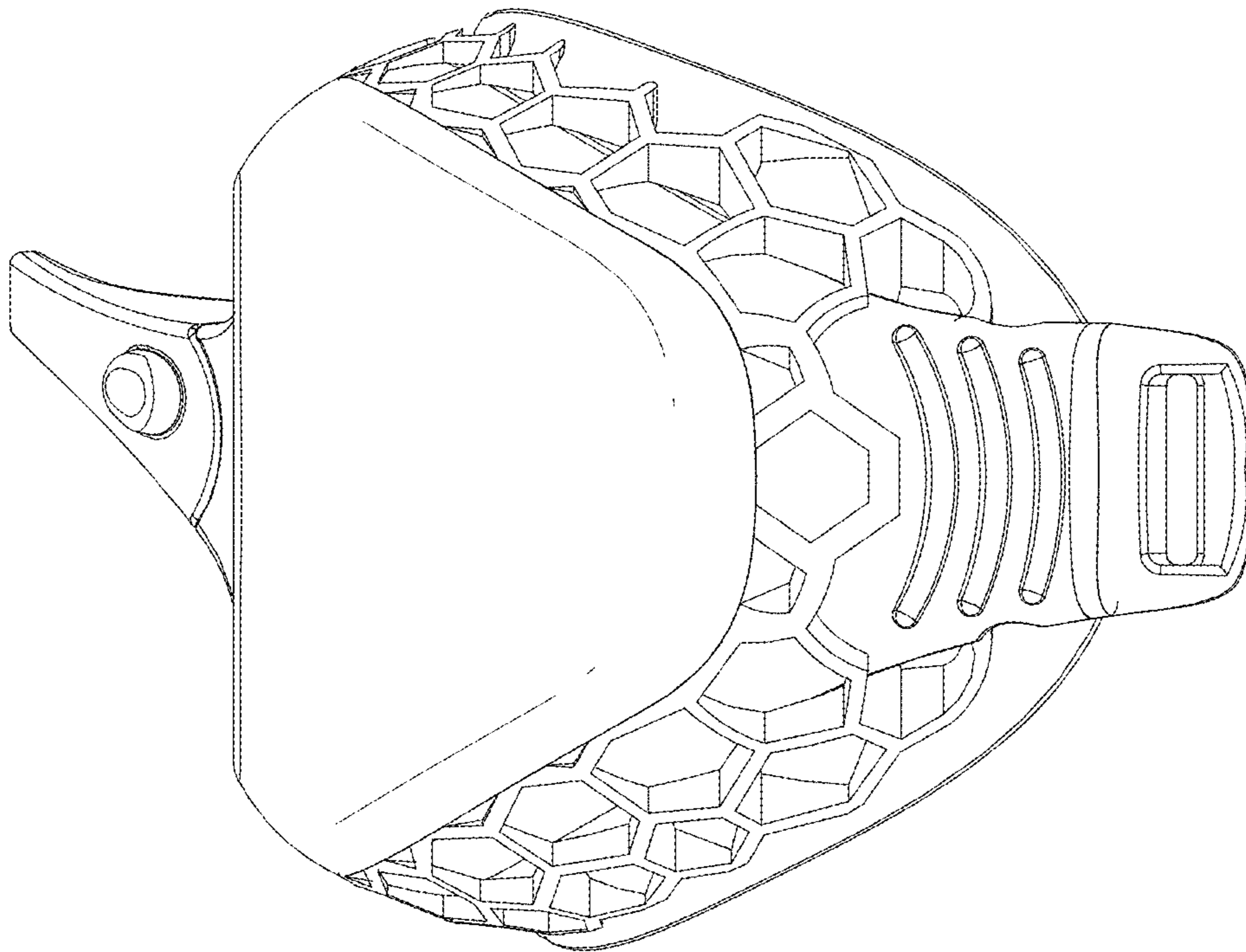


Fig. 4

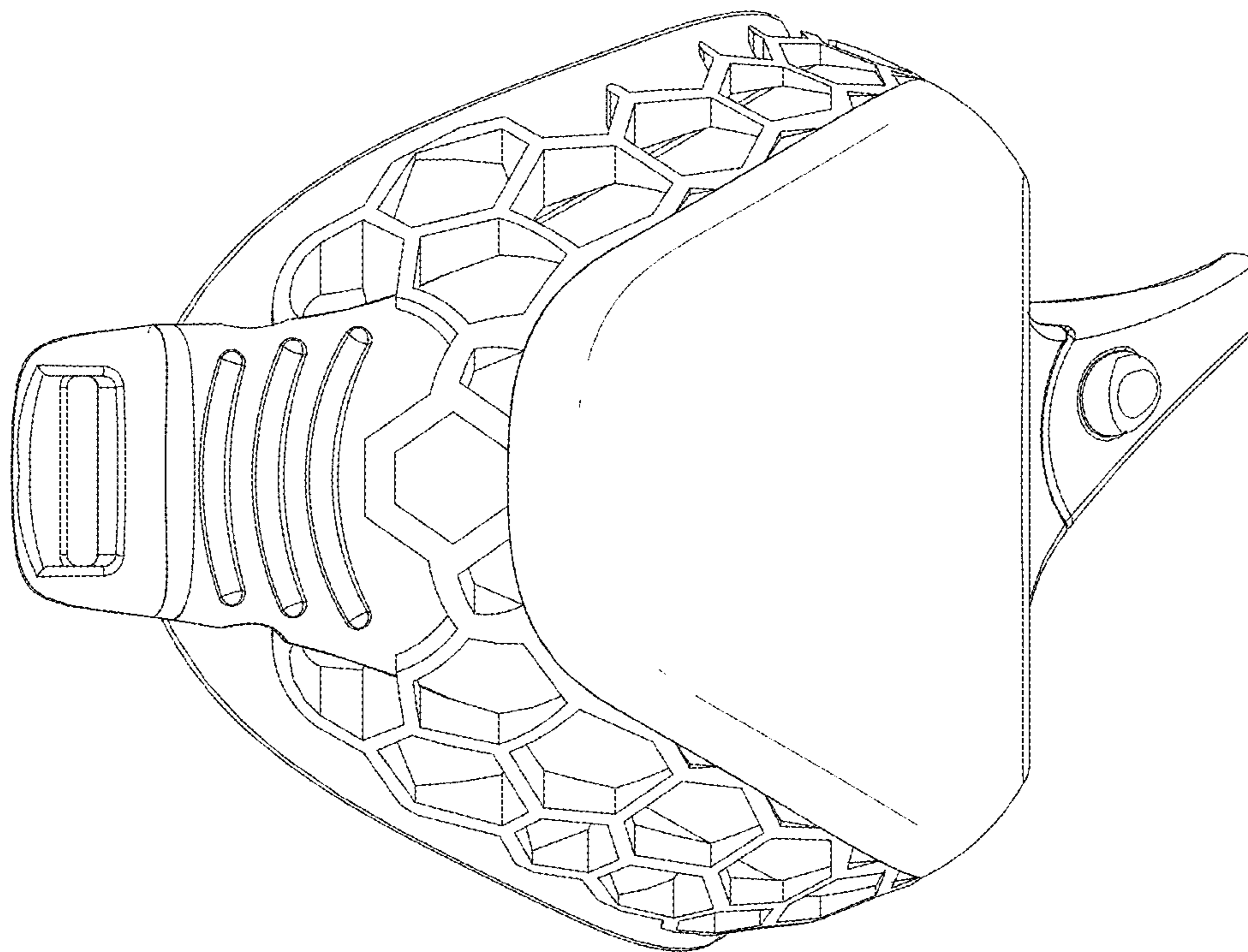


Fig. 5

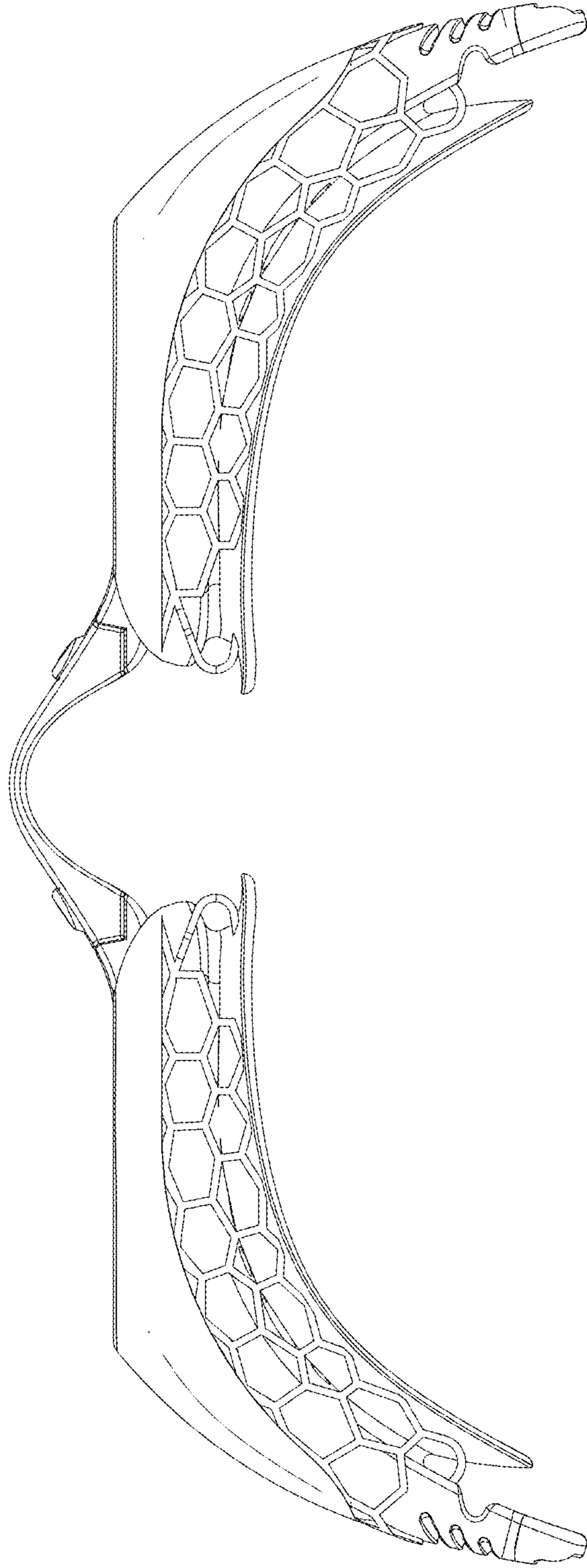


Fig. 6

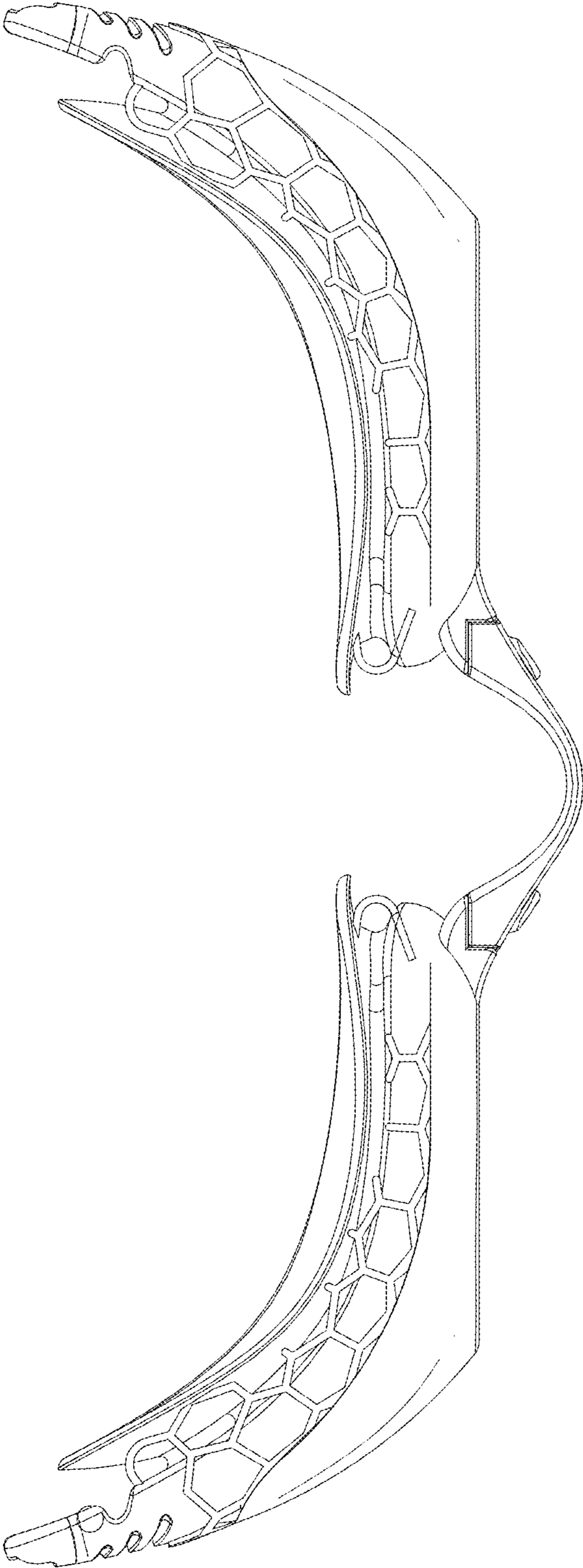


Fig. 7