



US00D820342S

(12) **United States Design Patent**
Harms et al.

(10) **Patent No.:** **US D820,342 S**
(45) **Date of Patent:** **** Jun. 12, 2018**

- (54) **SHIRT CLIP ASSEMBLY FOR CAMERA**
- (71) Applicants: **Dwight David Harms**, Little Elm, TX (US); **Timothy Francis Hall**, Little Elm, TX (US)
- (72) Inventors: **Dwight David Harms**, Little Elm, TX (US); **Timothy Francis Hall**, Little Elm, TX (US)
- (73) Assignee: **Trinity Innovative Solutions, LLC**, Little Elm, TX (US)

5,452,500 A *	9/1995	Revis	A44B 99/00
				24/499
D386,215 S *	11/1997	White	D20/43
D393,797 S *	4/1998	Kostigian	D32/64
D438,452 S *	3/2001	Tsai	D8/390
D477,029 S *	7/2003	Korowitz	D19/65
D477,364 S *	7/2003	Tsai	D19/65
D478,628 S *	8/2003	Sheldon	D19/65
D497,183 S *	10/2004	Chiu	D19/65
D523,477 S *	6/2006	Cetera	D19/65
D534,939 S *	1/2007	Sheehan	D16/208
D552,978 S *	10/2007	Liao	D8/395
D563,452 S *	3/2008	Tan	D16/237
D564,559 S *	3/2008	Stephens	D16/208
D607,716 S *	1/2010	Chiu	D8/395
D614,945 S *	5/2010	Chiu	D8/395

(**) Term: **15 Years**

(21) Appl. No.: **29/546,788**

(22) Filed: **Nov. 25, 2015**

(51) **LOC (11) Cl.** **16-05**

(52) **U.S. Cl.**
USPC **D16/242**

(58) **Field of Classification Search**
USPC D8/363, 373, 354, 394, 349; D16/200, D16/204, 208, 213-219, 235, 237-250; D14/203, 209, 217, 224, 250-253, 345, D14/440
CPC G03B 17/02; G03B 17/04; G03B 17/14; G03B 21/20-21/2066; G03B 15/041-15/0436; G03B 17/56; F16M 11/32

See application file for complete search history.

(56) **References Cited**

U.S. PATENT DOCUMENTS

4,228,569 A *	10/1980	Snyder	A44B 99/00
				24/489
D306,870 S *	3/1990	Overstreet	D16/219
5,159,730 A *	11/1992	Radvin	A44B 99/00
				24/543

(Continued)

Primary Examiner — Mark Goodwin

(74) *Attorney, Agent, or Firm* — David W. Carstens; J. Andrew Reed; Carstens & Cahoon, LLP

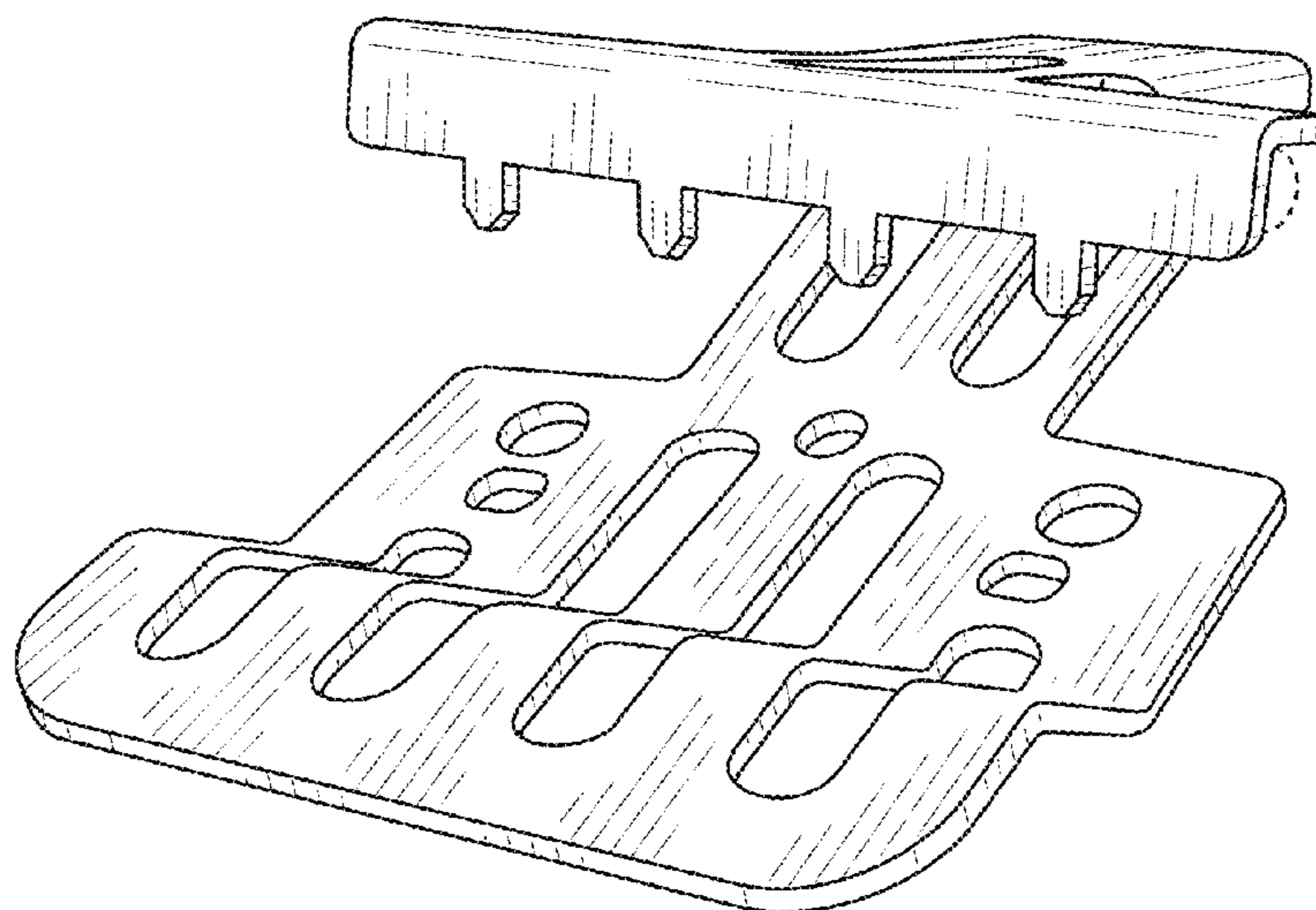
(57) **CLAIM**

The ornamental design for a shirt clip assembly for camera, as shown and described.

DESCRIPTION

FIG. 1 is a side view of the shirt clip assembly for camera having first and second clip elements;
FIG. 2 is an end view of clip;
FIG. 3 is a side view of first clip element;
FIG. 4 is a top view of first clip element;
FIG. 5 is a top view of second clip element;
FIG. 6 is a side view of second clip element;
FIG. 7 is an end view of second clip element;
FIG. 8 is a perspective view of clip in a closed position; and, FIG. 9 is a perspective view of clip in an open position.
The broken line showing of the connective element in FIGS. 8 and 9 is included for the purpose of illustrating environmental structure only and forms no part of the claimed design.

1 Claim, 4 Drawing Sheets



(56)

References Cited

U.S. PATENT DOCUMENTS

7,775,486 B2 *	8/2010	Depay	F16M 11/10 248/121
D631,509 S *	1/2011	Liang	D19/65
D637,480 S *	5/2011	Chen	D19/65
D679,700 S *	4/2013	Werth	D14/253
D682,332 S *	5/2013	Wang	D16/202

* cited by examiner

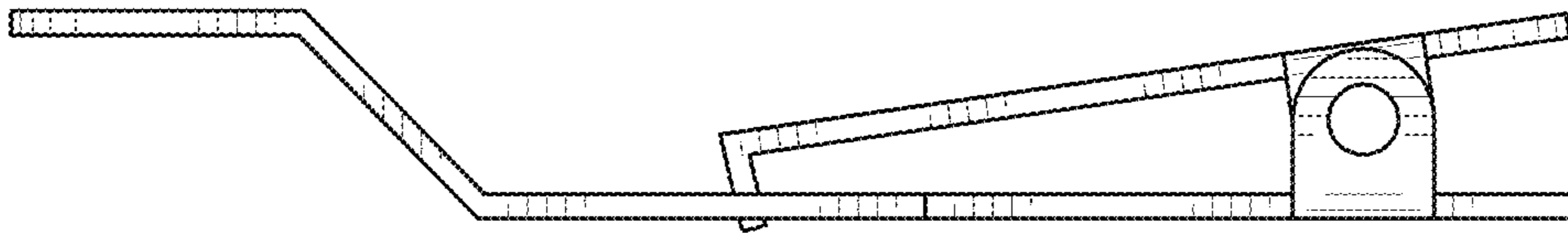


FIG. 1

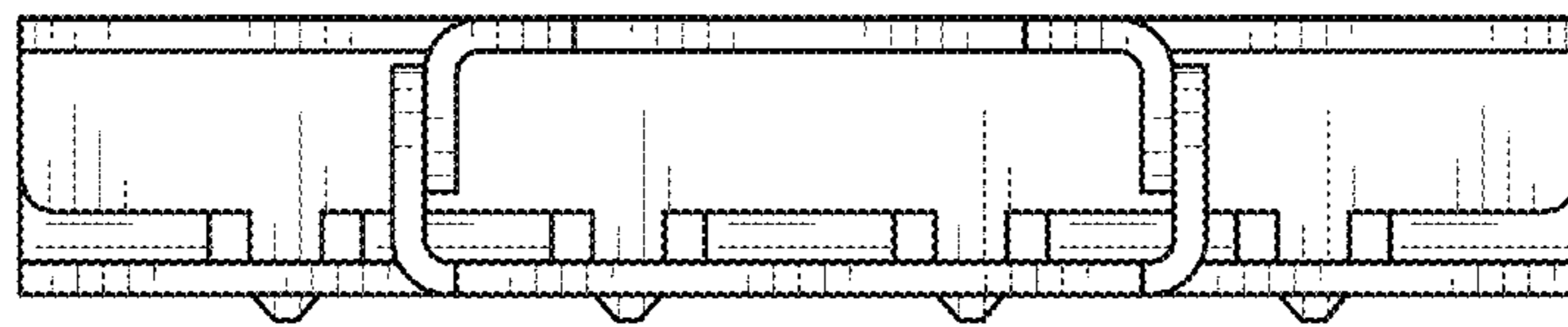


FIG. 2

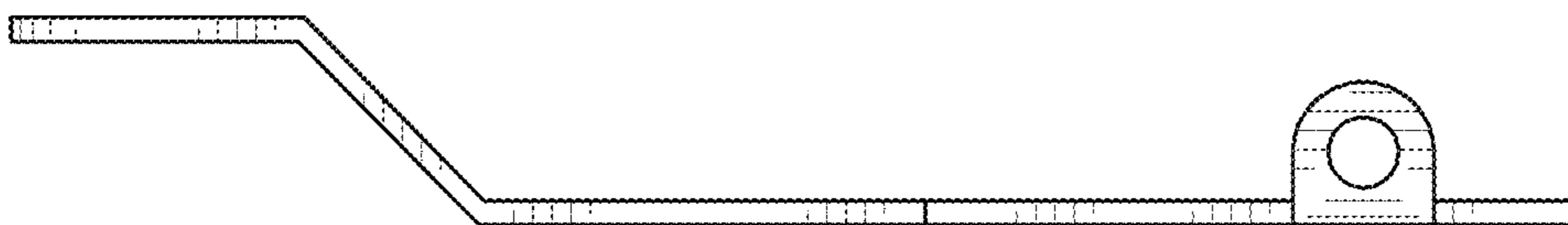


FIG. 3

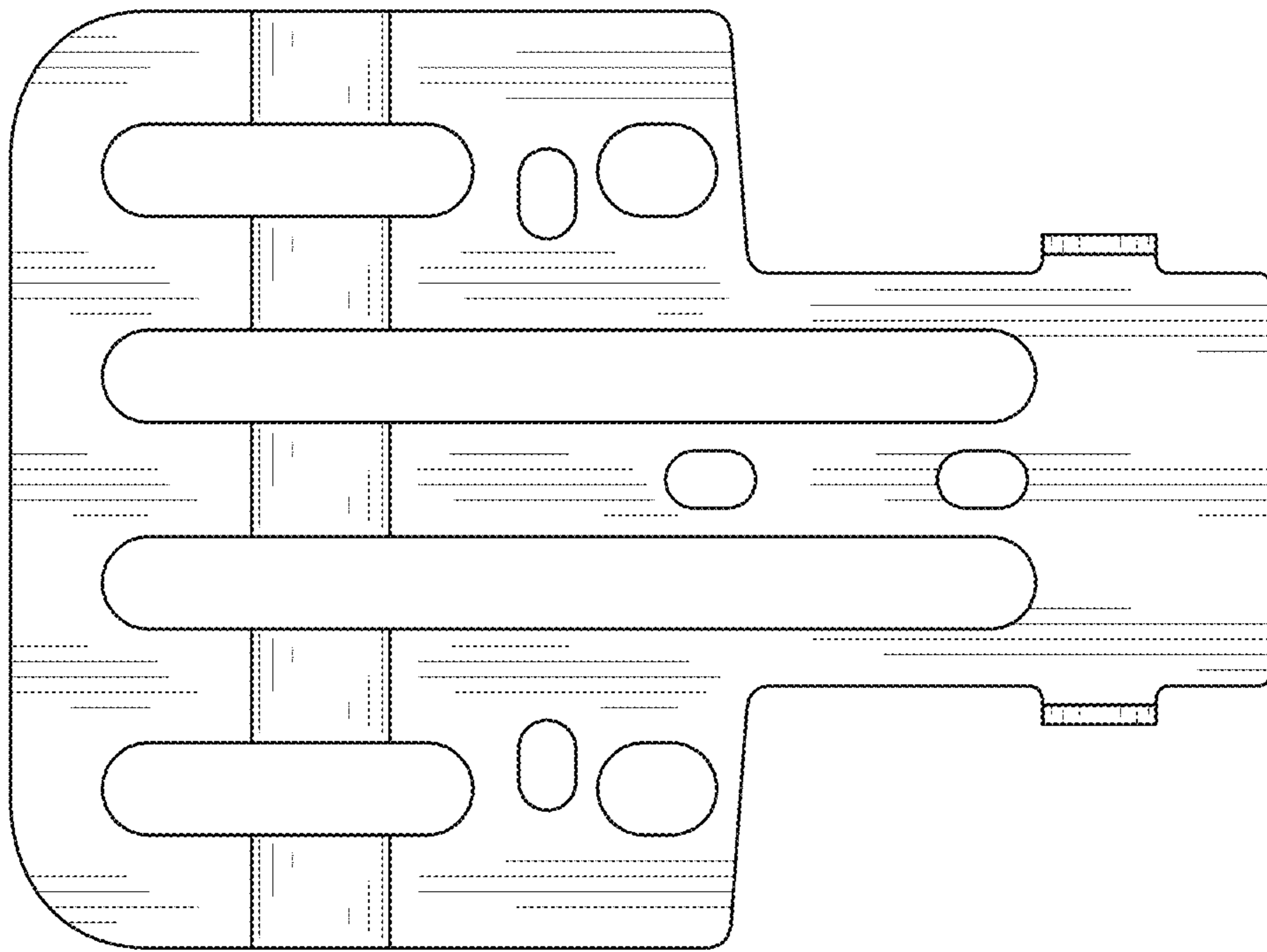


FIG. 4

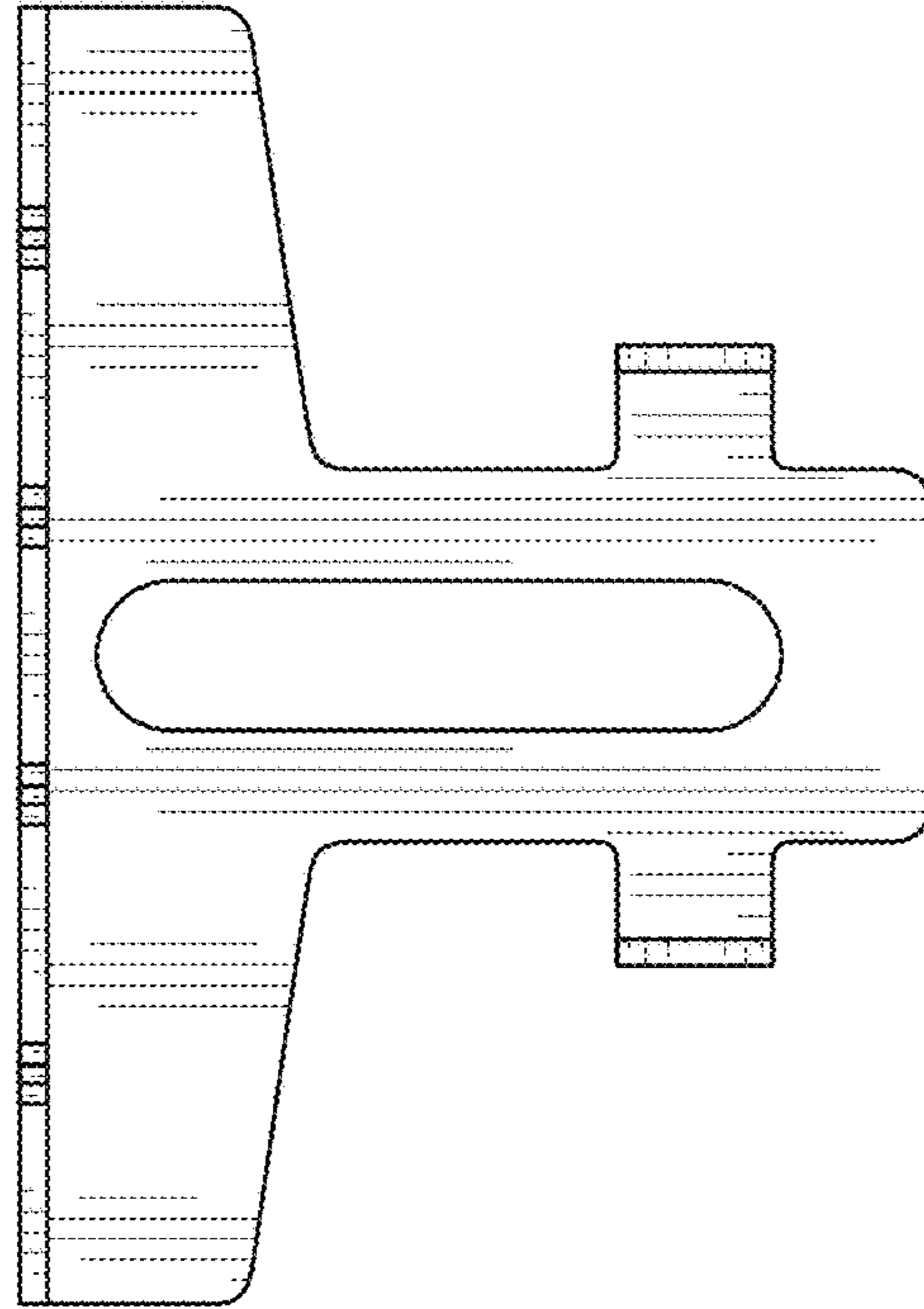


FIG. 5

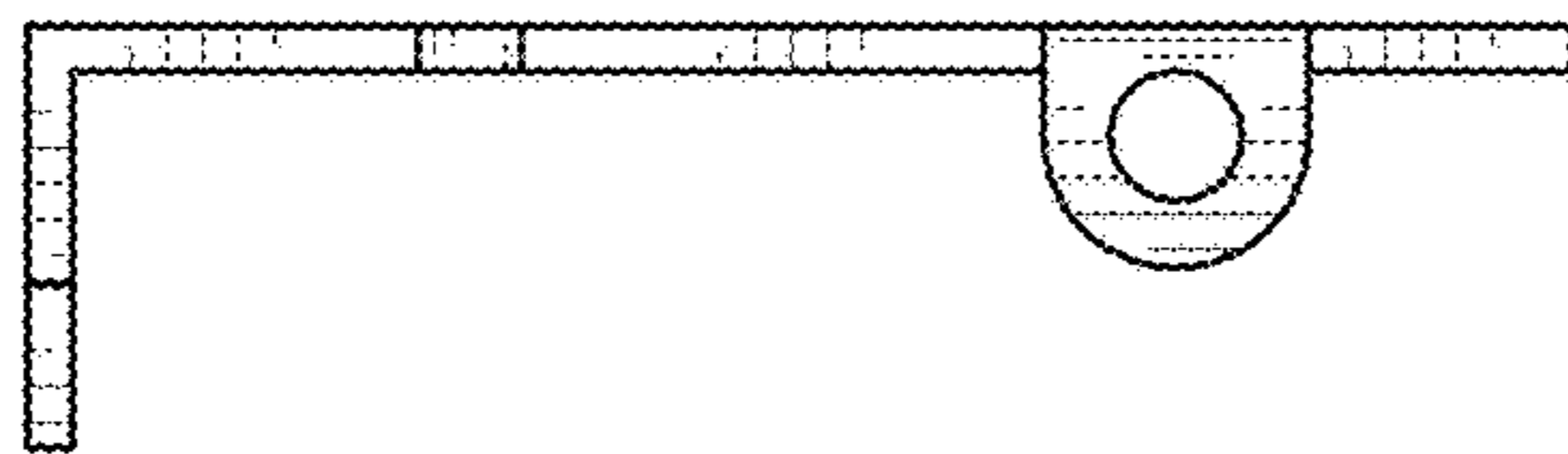


FIG. 6

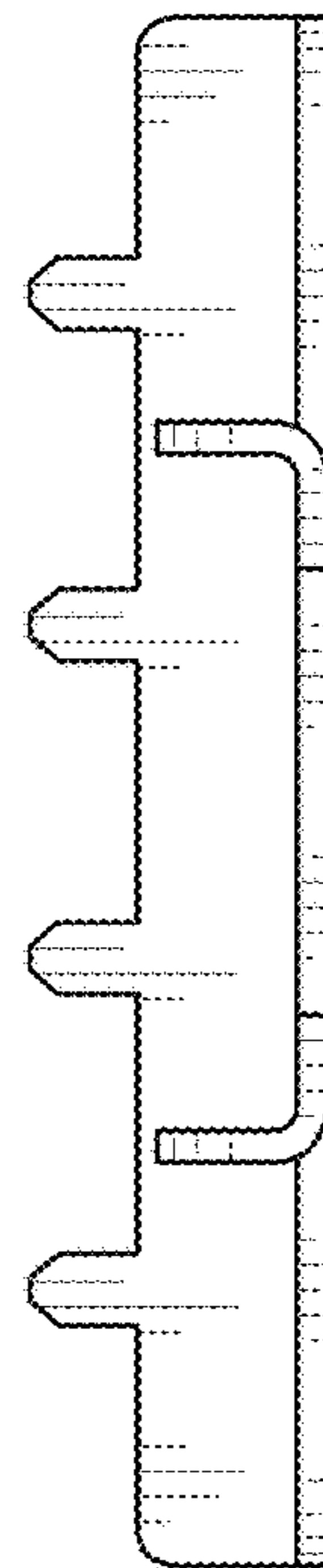


FIG. 7

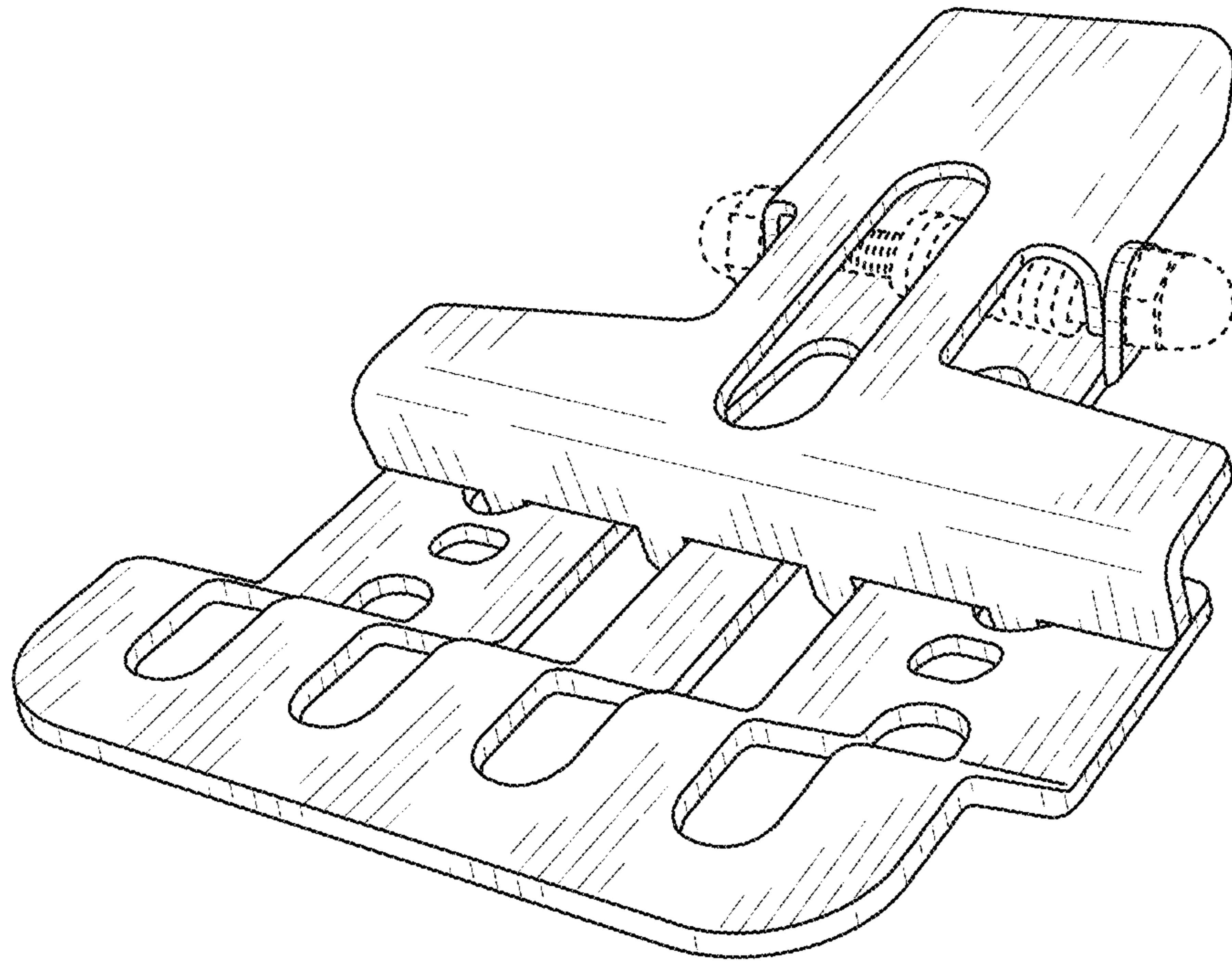


FIG. 8

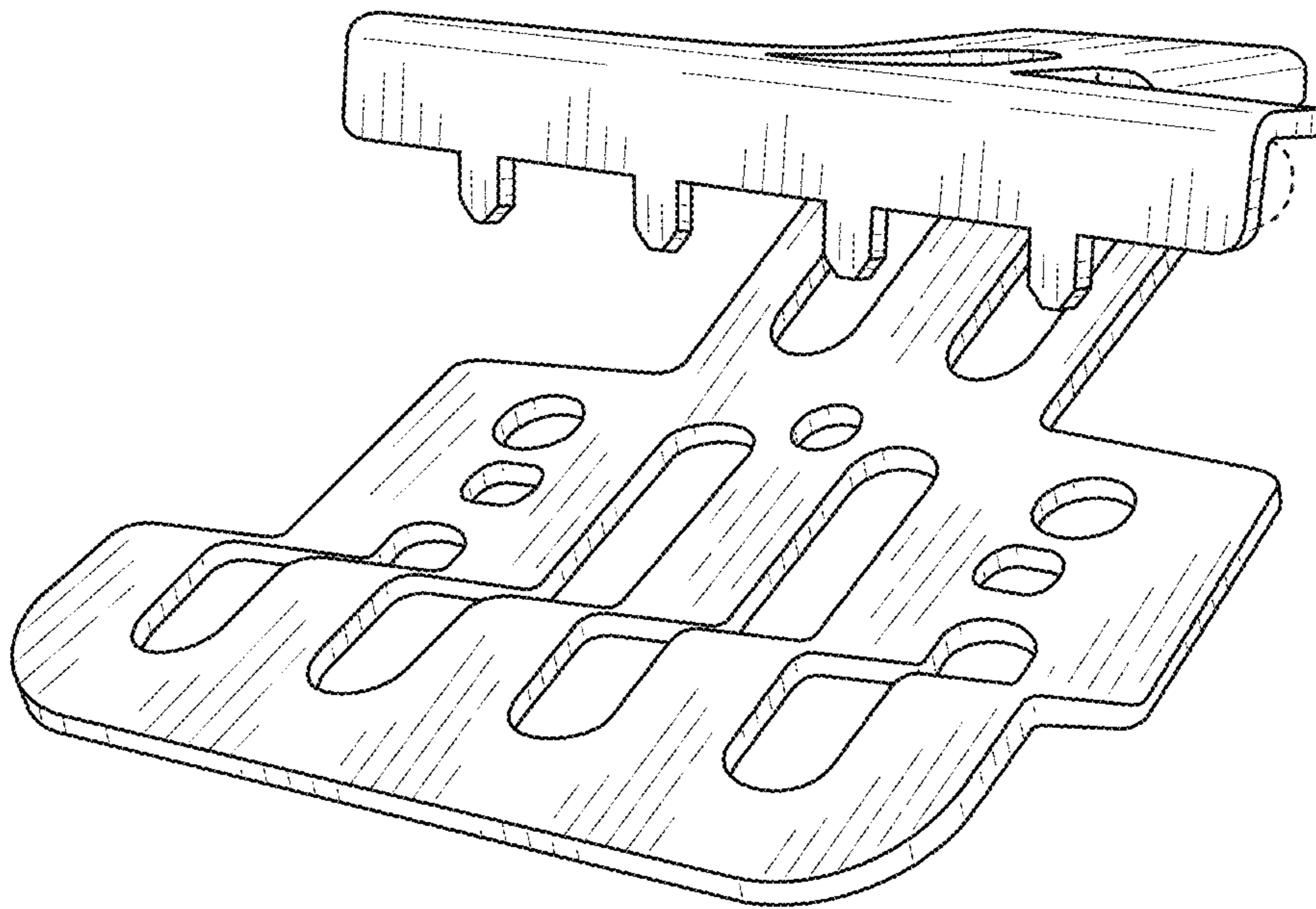


FIG. 9