



US00D820341S

(12) **United States Design Patent**
Tokiwa et al.

(10) **Patent No.:** **US D820,341 S**
(45) **Date of Patent:** **** Jun. 12, 2018**

(54) **CAMERA BODY**

(71) Applicant: **FUJIFILM Corporation**, Tokyo (JP)

(72) Inventors: **Kentaro Tokiwa**, Saitama (JP);
Nobuyuki Kondo, Saitama (JP)

(73) Assignee: **FUJIFILM Corporation**, Tokyo (JP)

(**) Term: **15 Years**

(21) Appl. No.: **29/595,016**

(22) Filed: **Feb. 24, 2017**

(30) **Foreign Application Priority Data**

Aug. 31, 2016 (JP) 2016-018718

(51) **LOC (11) Cl.** **16-05**

(52) **U.S. Cl.**
USPC **D16/219**

(58) **Field of Classification Search**
USPC D16/200–220, 131, 250, 163; D8/16,
D8/373
CPC ... G02B 7/02; G02B 7/04; G02B 7/14; G02B
3/14; G03B 17/00; G03B 17/02; G03B
17/56; G03B 17/04; G03B 17/14; G03B
15/03; G03B 9/08; H04N 5/2251; H04N
5/2252; H04N 5/2253; H04N 5/2254;
H04N 7/00; H04N 2101/00; F16M 13/00
See application file for complete search history.

(56) **References Cited**

U.S. PATENT DOCUMENTS

- 5,778,271 A * 7/1998 Kawasaki G03B 17/14
396/532
- D546,364 S * 7/2007 Ito D16/134
- D648,363 S * 11/2011 Takagi D16/134
- D669,930 S * 10/2012 Koyama D16/134
- D676,475 S * 2/2013 Tainaka D16/200
- D681,710 S * 5/2013 Sato D16/200

- D693,395 S * 11/2013 Sato D16/219
- D698,839 S * 2/2014 Sato D16/200
- D723,084 S * 2/2015 Awazu D16/219
- D777,233 S * 1/2017 Sakai D16/202
- 9,674,467 B2 * 6/2017 Izawa H04N 5/3572

(Continued)

OTHER PUBLICATIONS

Development of Professional-use Mirrorless Camera System
GFX_033, published Sep. 19, 2016 [online], [retrieved Feb. 27,
2018], Available from Internet, URL: <<https://www.youtube.com/watch?v=Ggikv6m8FNs>> at approximately 0:33.*

(Continued)

Primary Examiner — Barbara Fox

Assistant Examiner — Mary C Ramirez

(74) *Attorney, Agent, or Firm* — Sughrue Mion, PLLC

(57) **CLAIM**

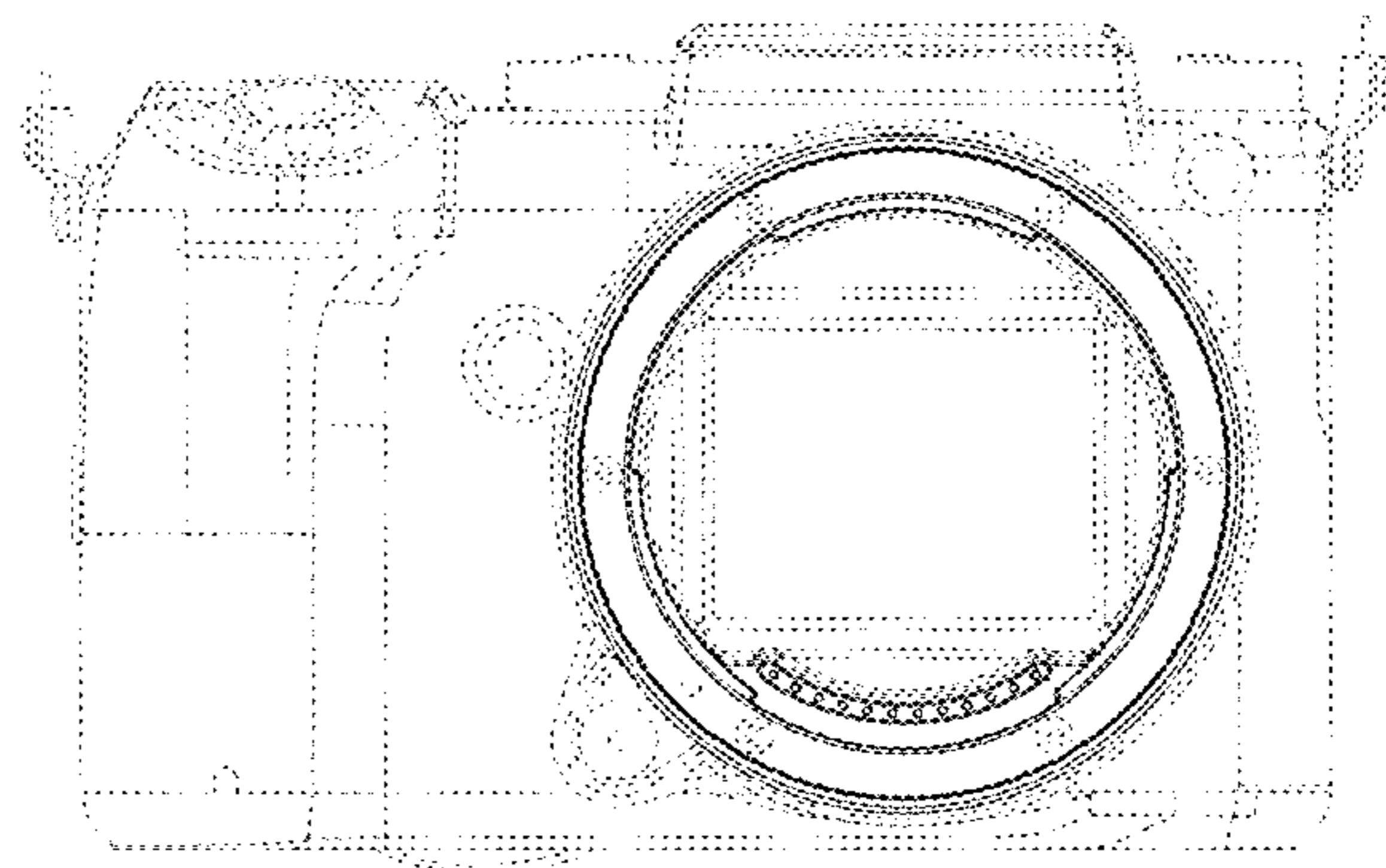
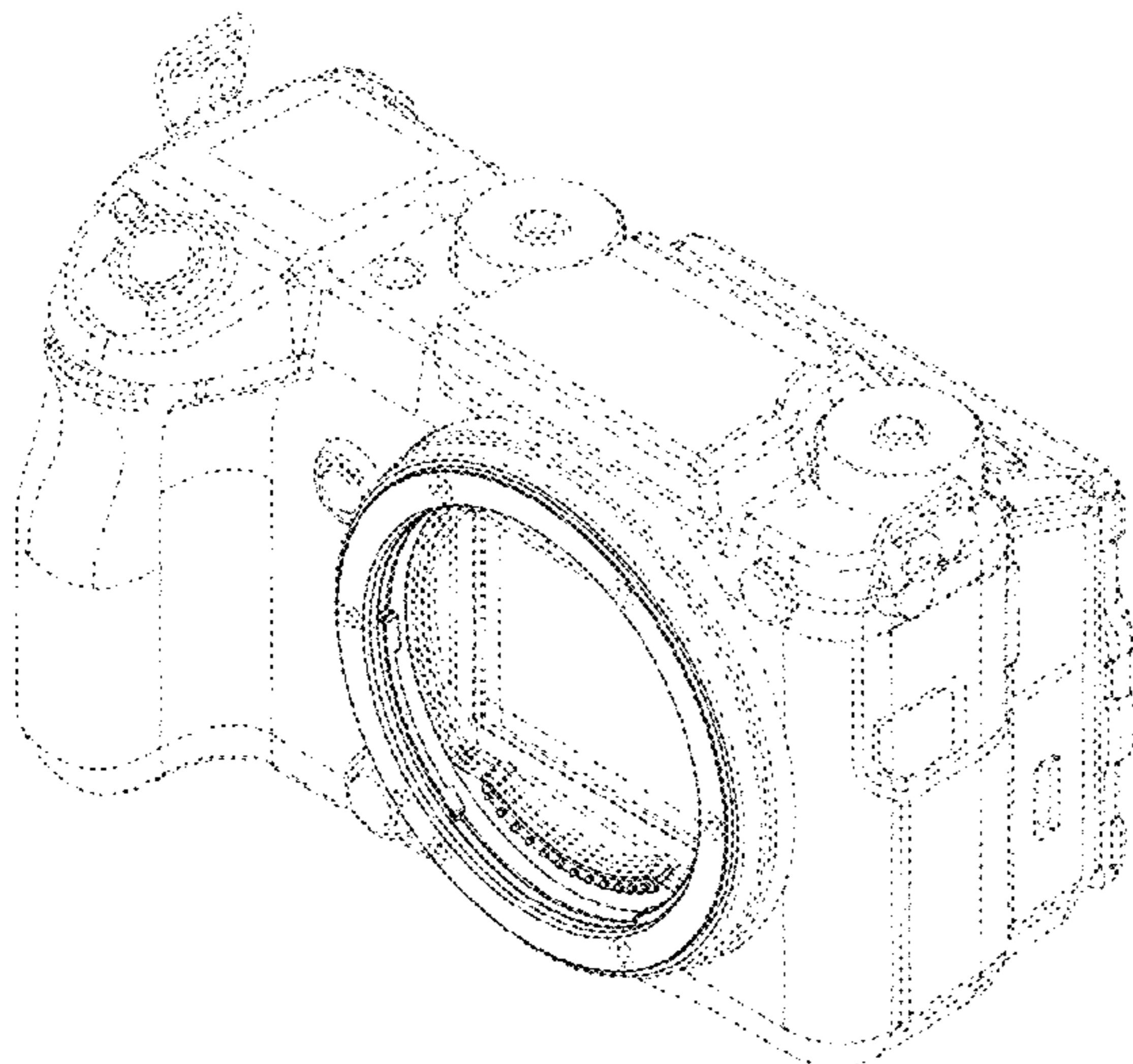
The ornamental design for a camera body, as shown and
described.

DESCRIPTION

FIG. 1 is a perspective view of a camera body, viewed from
the front upper-right side thereof, showing our new design;
FIG. 2 is a front view thereof;
FIG. 3 is a right side view thereof;
FIG. 4 is a top view thereof;
FIG. 5 is a bottom view thereof;
FIG. 6 is a perspective viewed from the front upper-left side
thereof;
FIG. 7 is a perspective viewed from the front lower-right
side thereof; and,
FIG. 8 is a perspective viewed from the front lower-left side
thereof.

The broken lines shown in the drawings depict portions of
the camera body that from no part of the claimed design.

1 Claim, 8 Drawing Sheets



(56)

References Cited

U.S. PATENT DOCUMENTS

2010/0020184	A1*	1/2010	Kurosawa	G03B 17/00 348/208.11
2011/0044681	A1*	2/2011	Yasuda	G03B 7/26 396/177
2011/0052171	A1*	3/2011	Yasuda	G03B 15/05 396/176
2013/0022348	A1*	1/2013	Hasuda	G03B 17/14 396/530
2013/0033770	A1*	2/2013	Koga	G02B 7/102 359/823
2013/0077953	A1*	3/2013	Kikuchi	G02B 7/102 396/530
2014/0111686	A1*	4/2014	Iikawa	G03B 17/14 348/374
2015/0181090	A1*	6/2015	Park	H04N 5/2254 348/374
2016/0006923	A1*	1/2016	Imamura	H04N 5/23209 348/208.11

OTHER PUBLICATIONS

Canon's Catalog of Digital Camera EOS-8000D released on Jun. 2016.

* cited by examiner

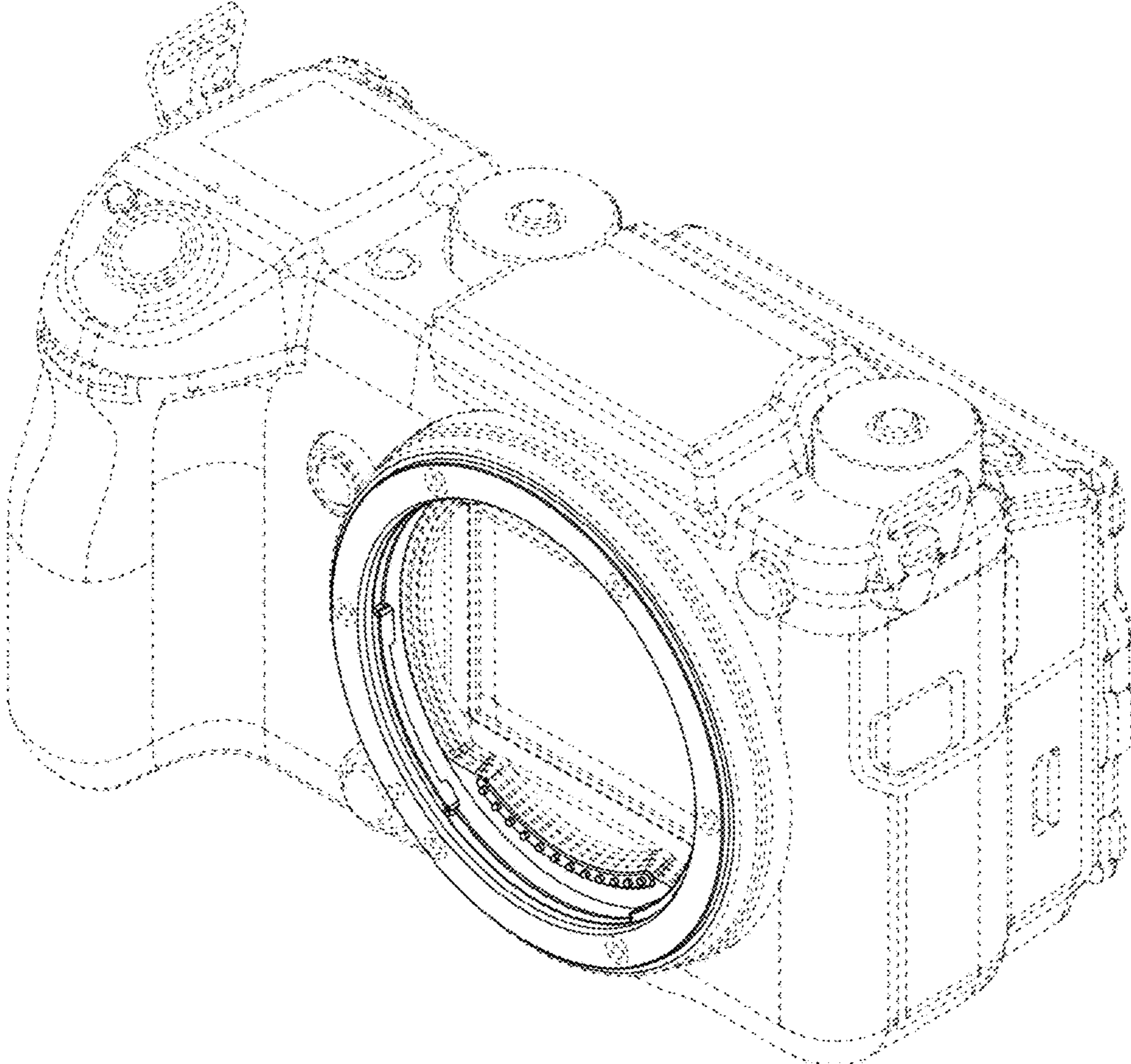


Fig. 1

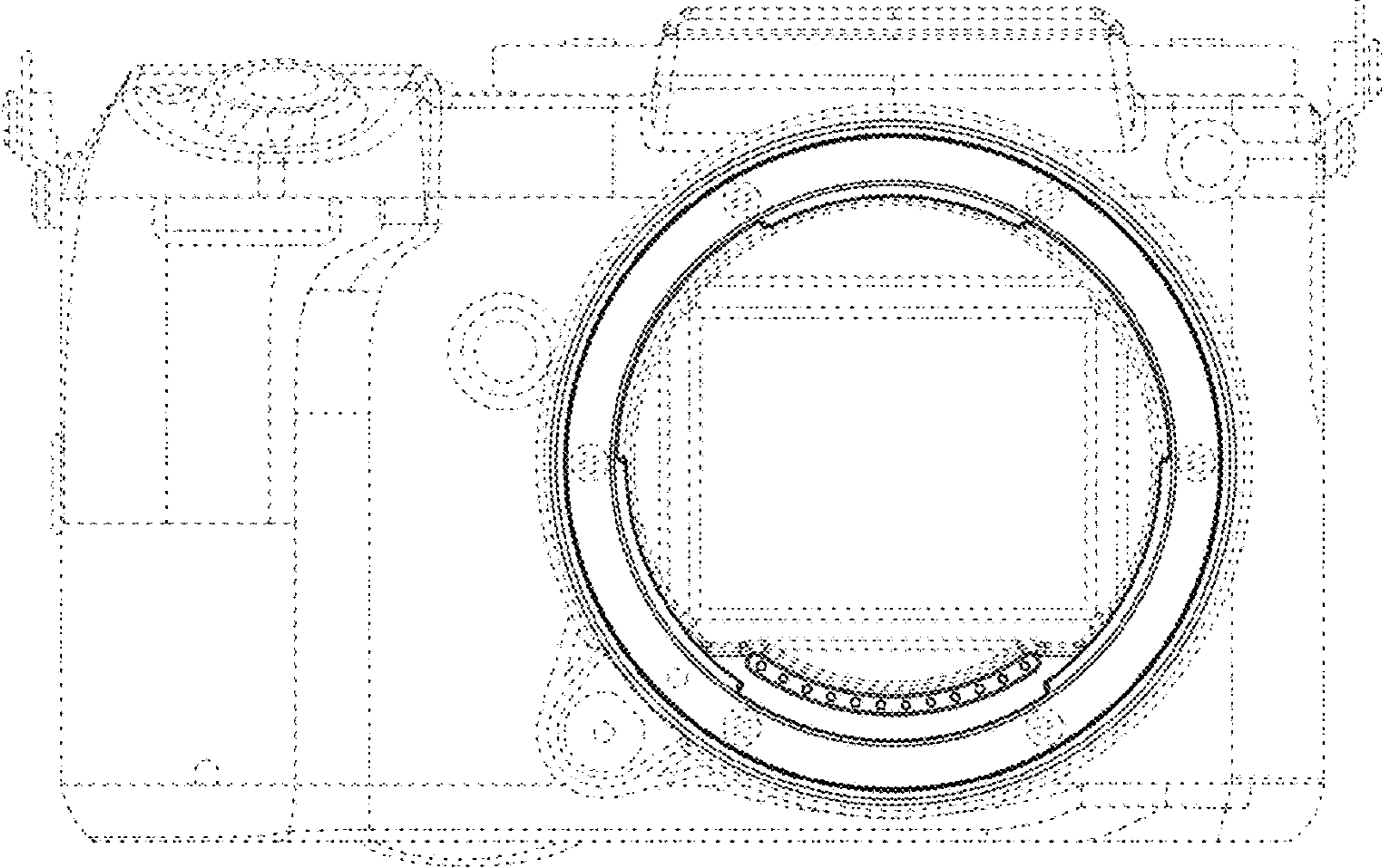


Fig. 2

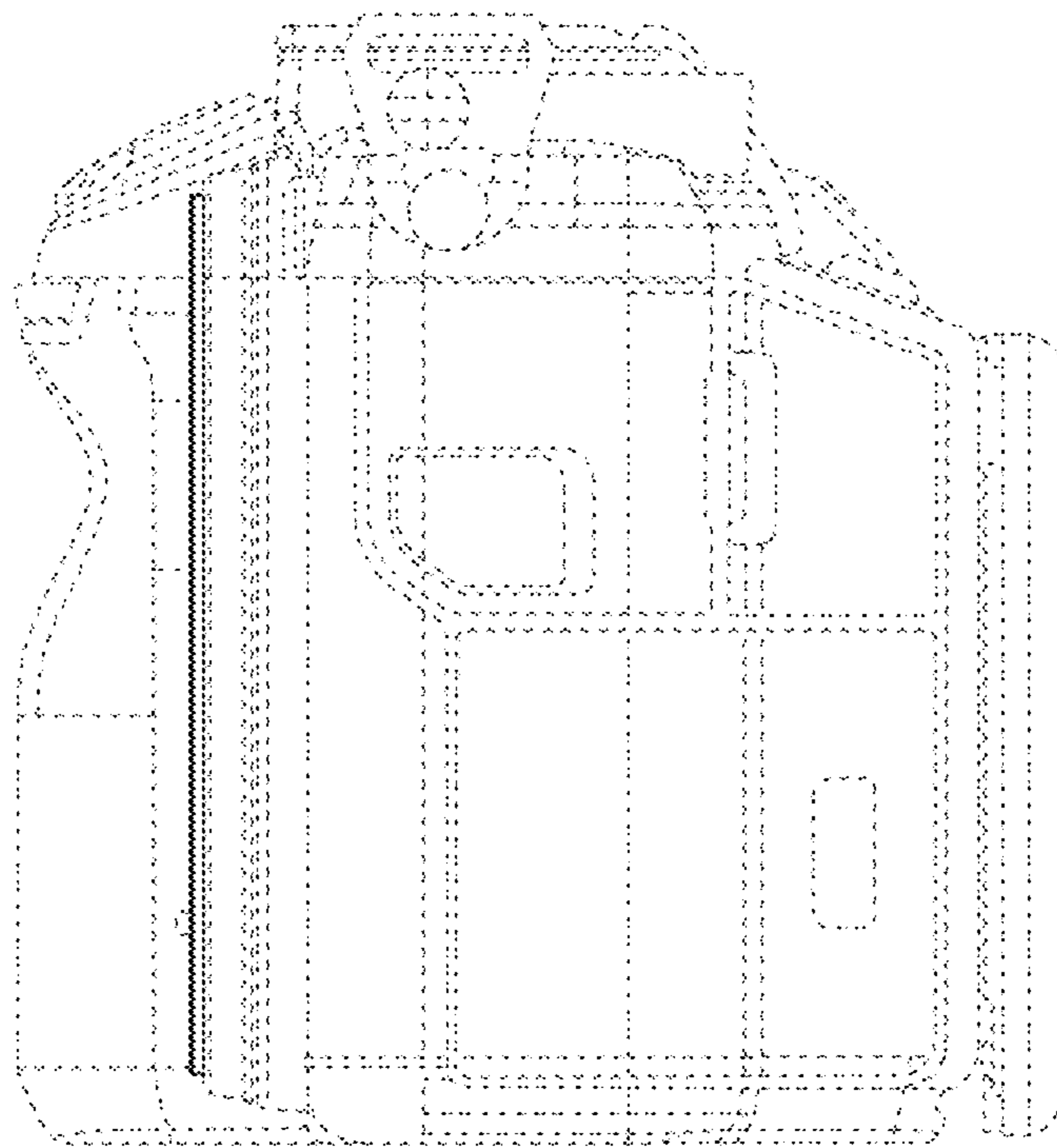


Fig. 3

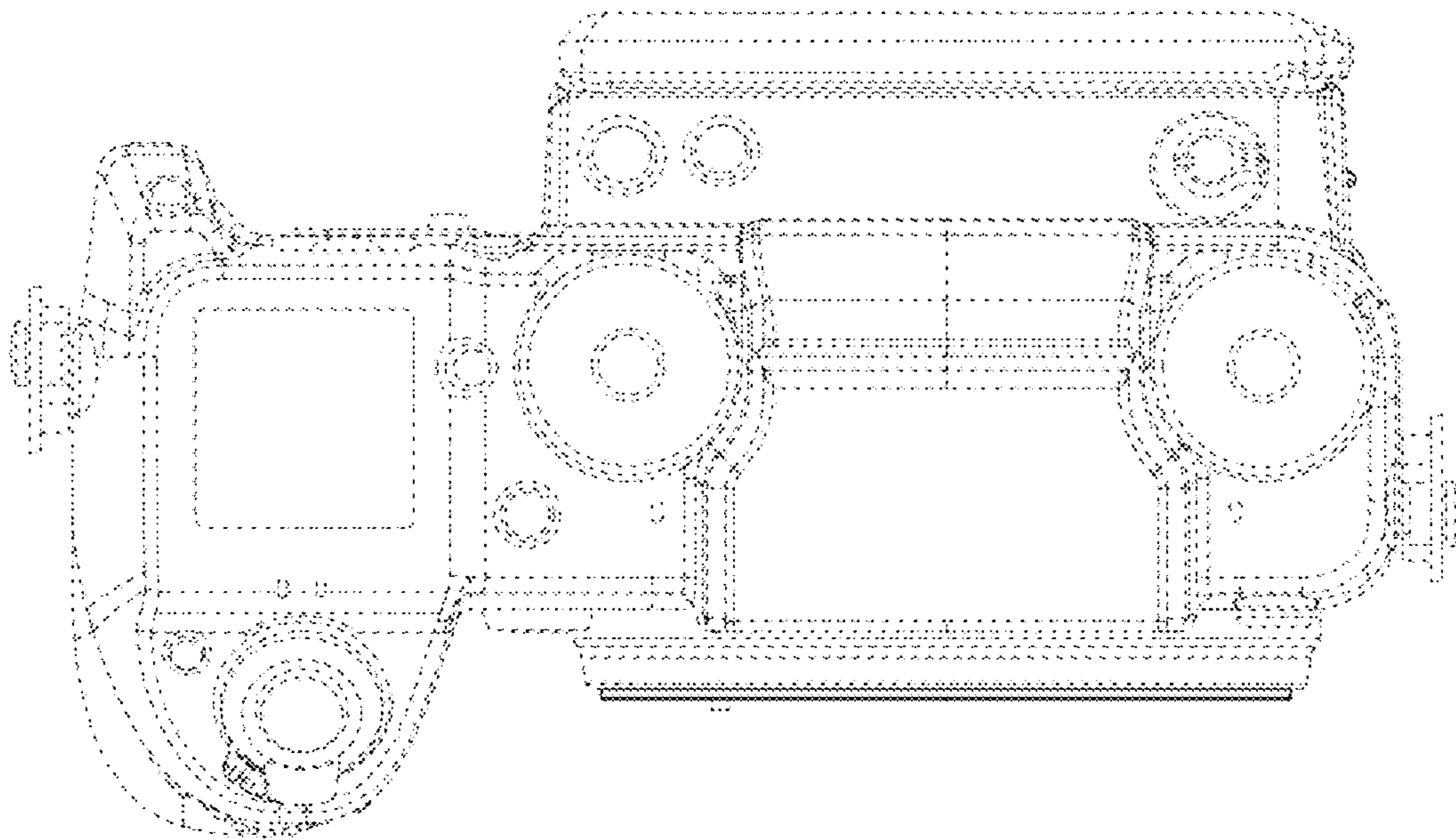


Fig. 4

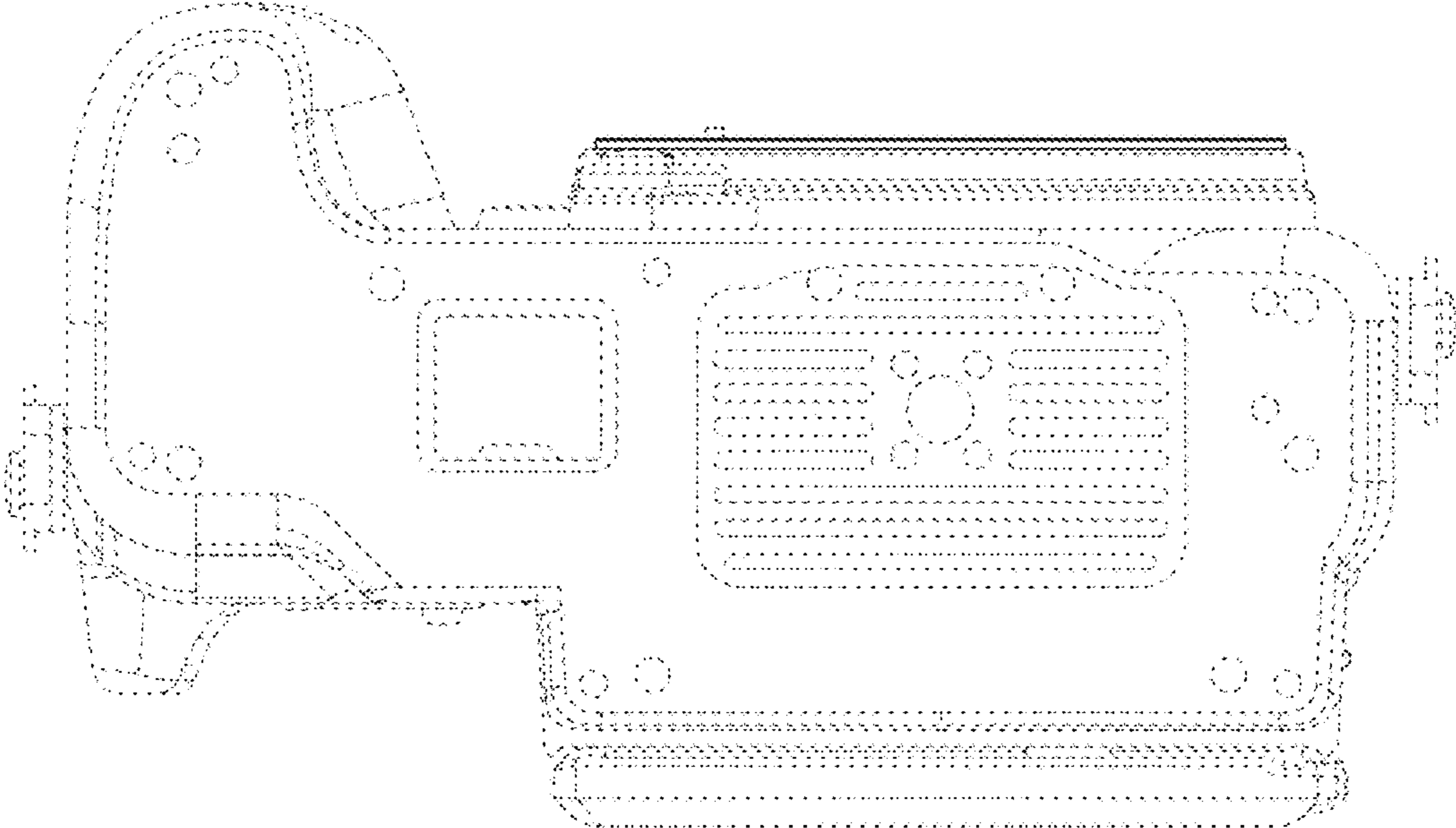


Fig. 5

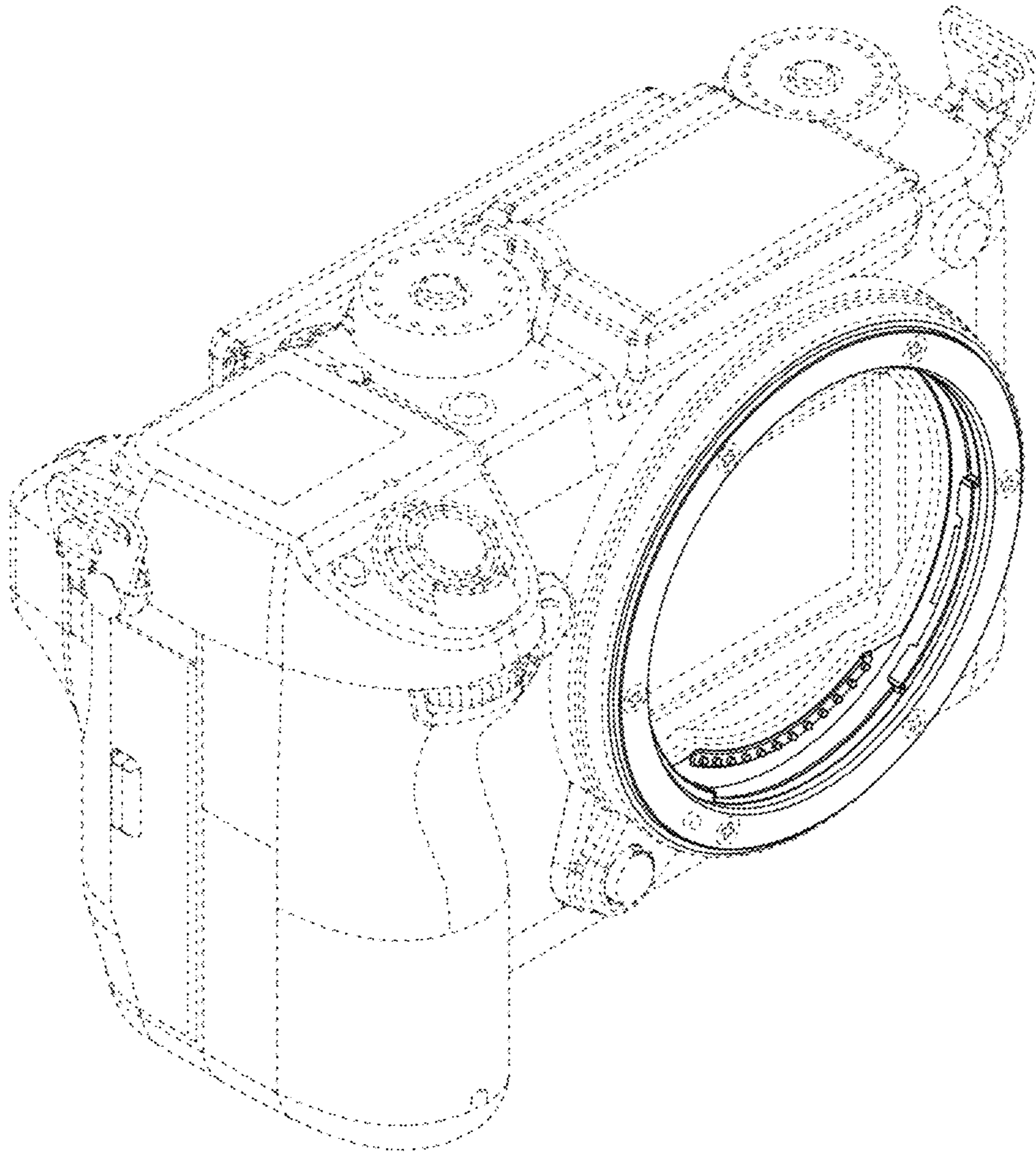


Fig. 6

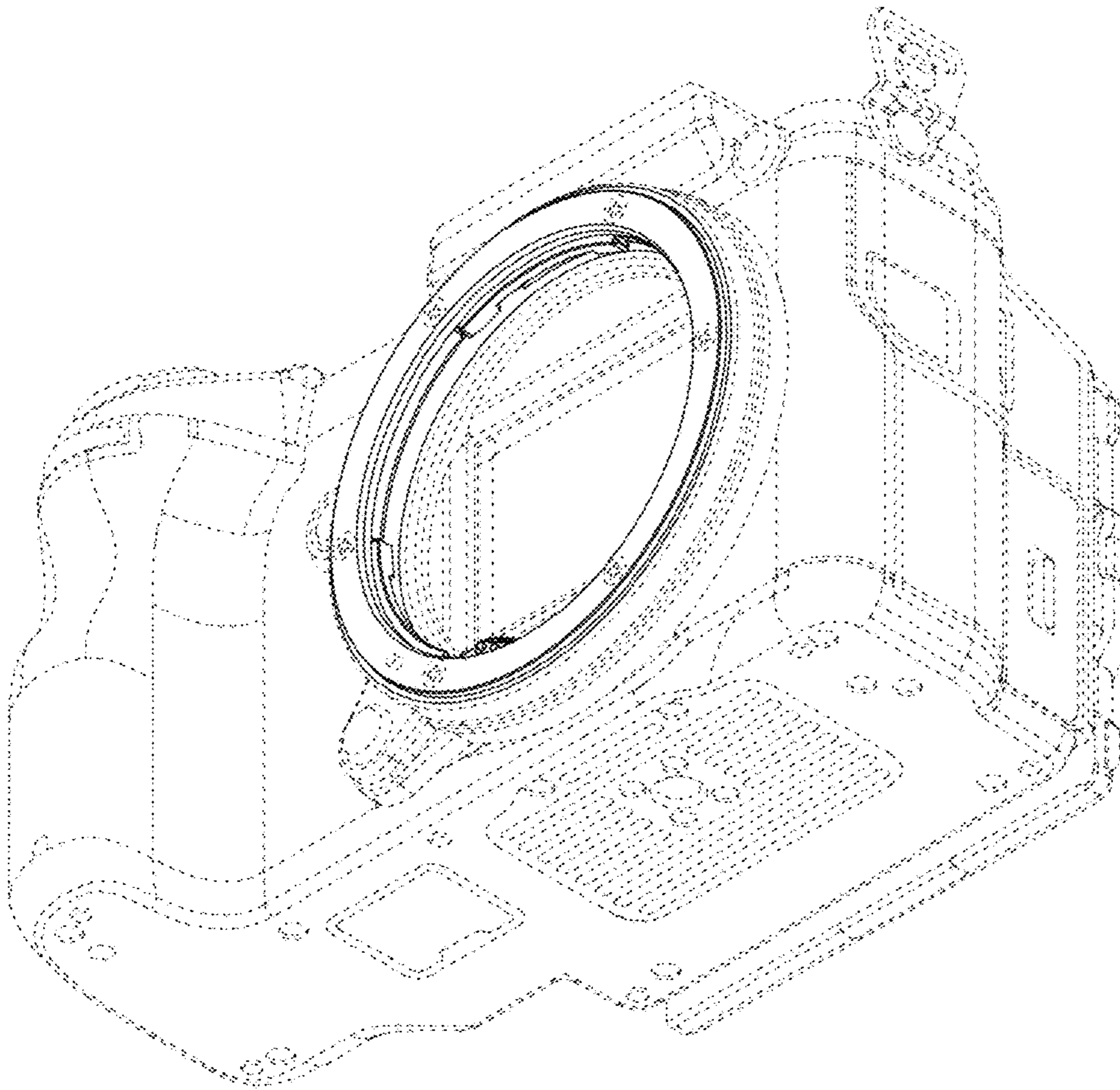


Fig. 7

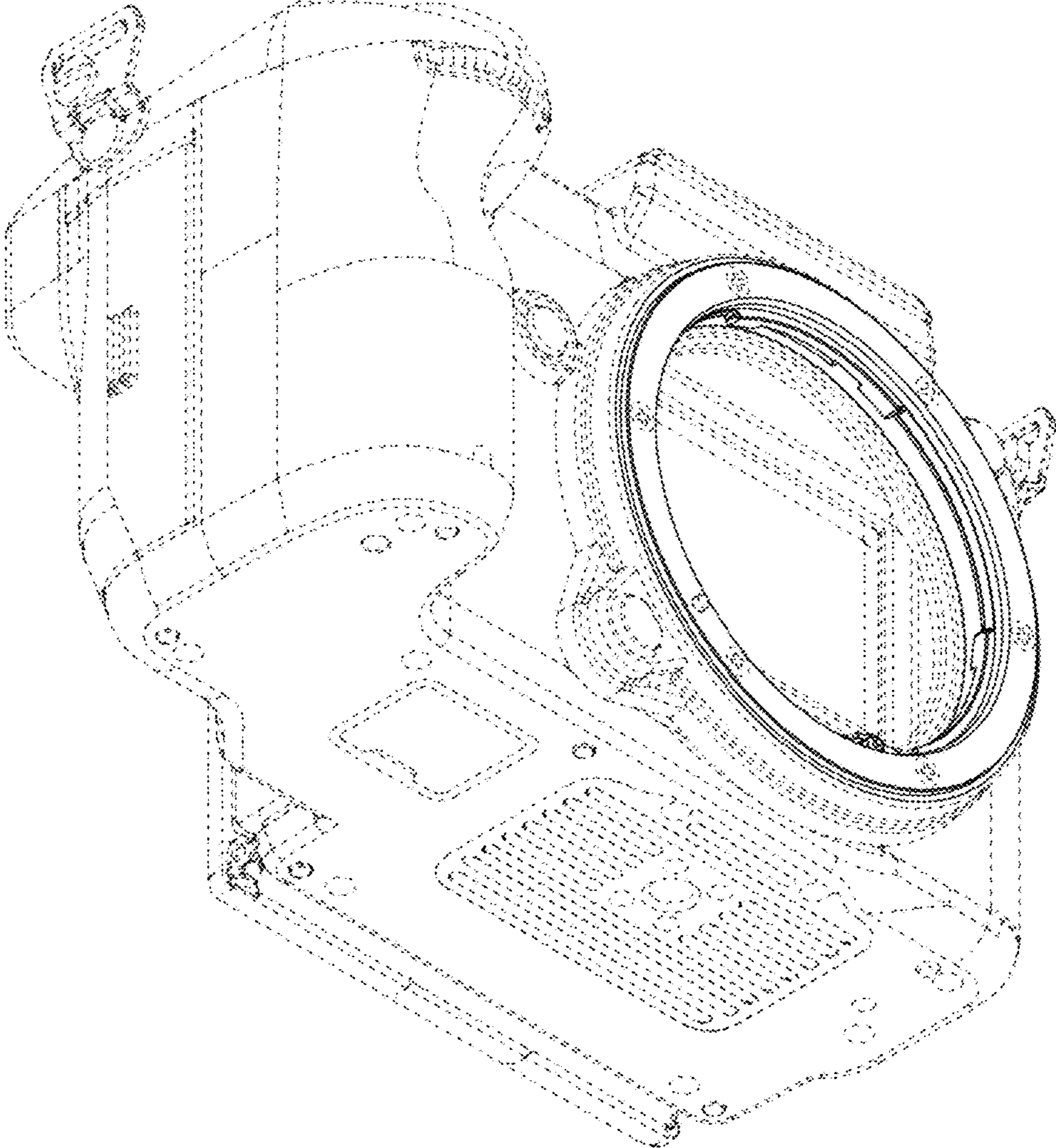


Fig. 8