



US00D820340S

(12) **United States Design Patent**
Noh et al.

(10) **Patent No.:** **US D820,340 S**
(45) **Date of Patent:** **** Jun. 12, 2018**

(54) **CAMERA**

(71) Applicant: **SAMSUNG ELECTRONICS CO., LTD.**, Suwon-si (KR)

(72) Inventors: **Kyunghan Noh**, Seoul (KR); **Woojung Moon**, Seoul (KR); **Minki Ham**, Seoul (KR)

(73) Assignee: **SAMSUNG ELECTRONICS CO., LTD.**, Gyeonggi-Do (KR)

(**) Term: **15 Years**

(21) Appl. No.: **29/566,072**

(22) Filed: **May 26, 2016**

(30) **Foreign Application Priority Data**

Dec. 24, 2015 (KR) 30-2015-0066309

(51) **LOC (11) Cl.** **16-01**

(52) **U.S. Cl.**
USPC **D16/219**; D16/202

(58) **Field of Classification Search**
USPC D13/180; D14/124, 125, 126, 129, 133,
D14/314, 317, 336, 348–351, 356, 420;
D16/200, 201, 202, 203, 205–221, 225,
D16/232, 235; D26/2, 40
CPC H04N 5/2251–5/2254; G03B 15/03; G03B
19/04
See application file for complete search history.

(56) **References Cited**

U.S. PATENT DOCUMENTS

D374,189 S * 10/1996 Hubben D10/106.6
D375,812 S * 11/1996 Kramer D26/130
D398,774 S * 9/1998 Yu D3/209
D412,924 S * 8/1999 Hiraguchi D16/203
D416,273 S * 11/1999 Yamakawa D16/203
D497,927 S * 11/2004 Arbuckle D16/203

D499,125 S * 11/2004 Adachi D16/203
D499,126 S * 11/2004 Kato D16/203
D556,236 S * 11/2007 Kim D16/202
D564,557 S * 3/2008 Yamamoto D16/203
D565,628 S * 4/2008 Alm D16/203
D584,756 S * 1/2009 Yamakawa D16/203
D592,159 S * 5/2009 Ono D13/180
D610,183 S * 2/2010 Nohavec D16/203

(Continued)

OTHER PUBLICATIONS

BB-8 droid from The Force Awakens rolls out on stage at Star Wars Celebration Anaheim, posted at Youtube.com, posting date Apr. 16, 2015, [online], [site visited Jun. 12, 2017]. Available from Internet, <URL: https://www.youtube.com/watch?v=A_K10fX9DSY>.*

(Continued)

Primary Examiner — Susan E Krakower

Assistant Examiner — L. A. Grabenstetter

(74) *Attorney, Agent, or Firm* — Cantor Colburn LLP

(57) **CLAIM**

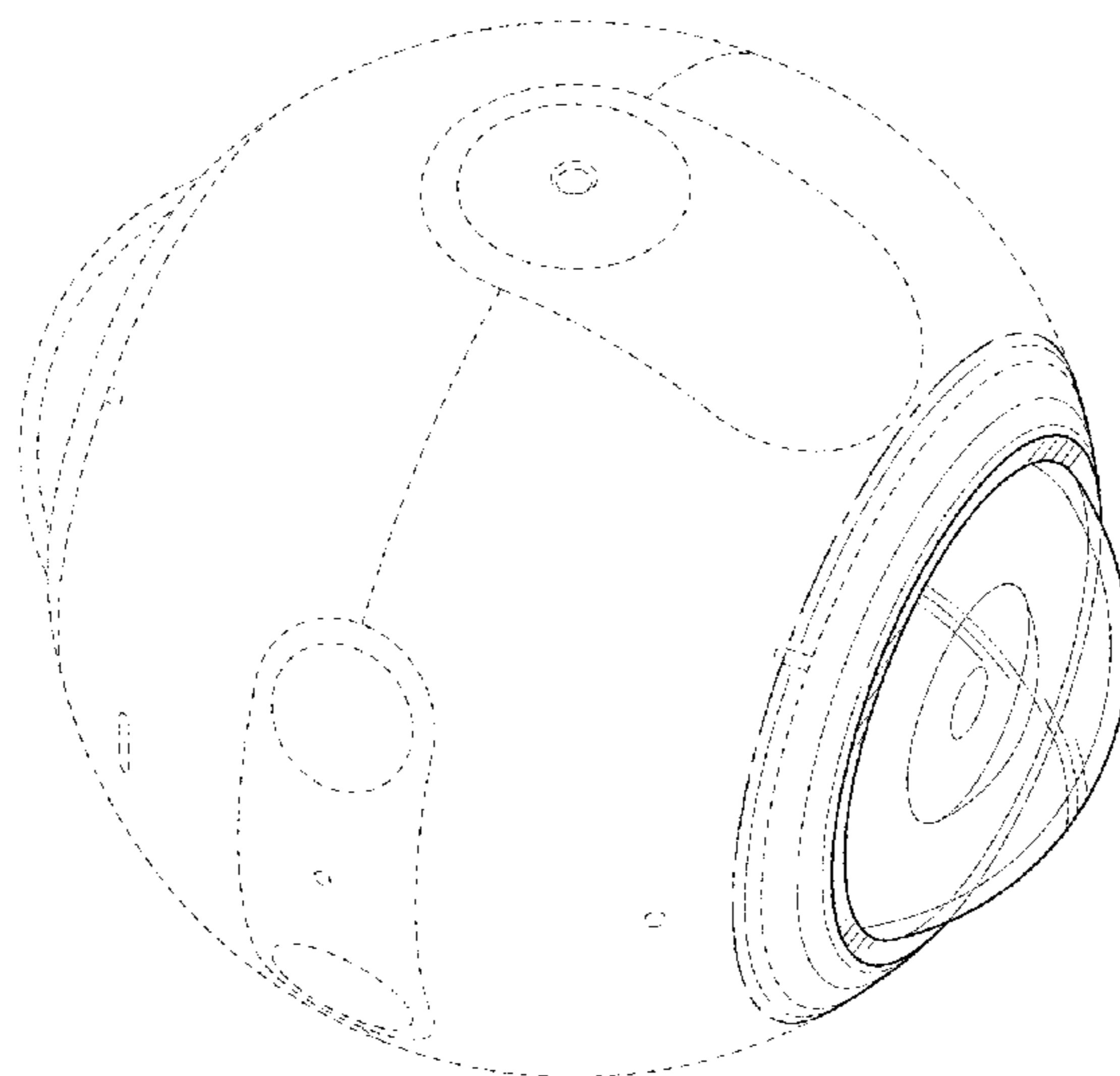
The ornamental design for a camera, as shown and described.

DESCRIPTION

FIG. 1 is a front perspective view of a camera showing our new design;
FIG. 2 is a front view thereof;
FIG. 3 is a rear view thereof;
FIG. 4 is a left-side view thereof;
FIG. 5 is a right-side view thereof;
FIG. 6 is a top view thereof; and,
FIG. 7 is a bottom view thereof.

The broken lines depict portions of a camera in which the design is embodied and form no part of the claimed design. The dot-dash lines in the figures represent an unclaimed boundary line and form no part of the claimed design.

1 Claim, 5 Drawing Sheets



(56)

References Cited

U.S. PATENT DOCUMENTS

D628,225	S	*	11/2010	Deurwaarder	D16/203
D633,120	S	*	2/2011	Ham	D16/203
D639,842	S	*	6/2011	Zeinoun	D16/203
D640,645	S	*	6/2011	Andrews	D13/182
D647,553	S	*	10/2011	Park	D16/203
D654,603	S	*	2/2012	Chen	D26/2
D668,701	S	*	10/2012	Ohno	D16/203
D678,598	S	*	3/2013	Wu	D26/120
D688,720	S	*	8/2013	Yilin	D16/203
D698,951	S	*	2/2014	Cheng	D26/2
D717,357	S	*	11/2014	Nakanishi	D16/225
D719,994	S	*	12/2014	Wang	D16/203

OTHER PUBLICATIONS

Star Wars: The Force Awakens Official Teaser, posted at Youtube.com, posting date Nov. 28, 2014, [online], [site visited Jun. 12, 2017]. Available from Internet, <URL: <https://www.youtube.com/watch?v=erLk59H86ww>>.*

* cited by examiner

FIG.1

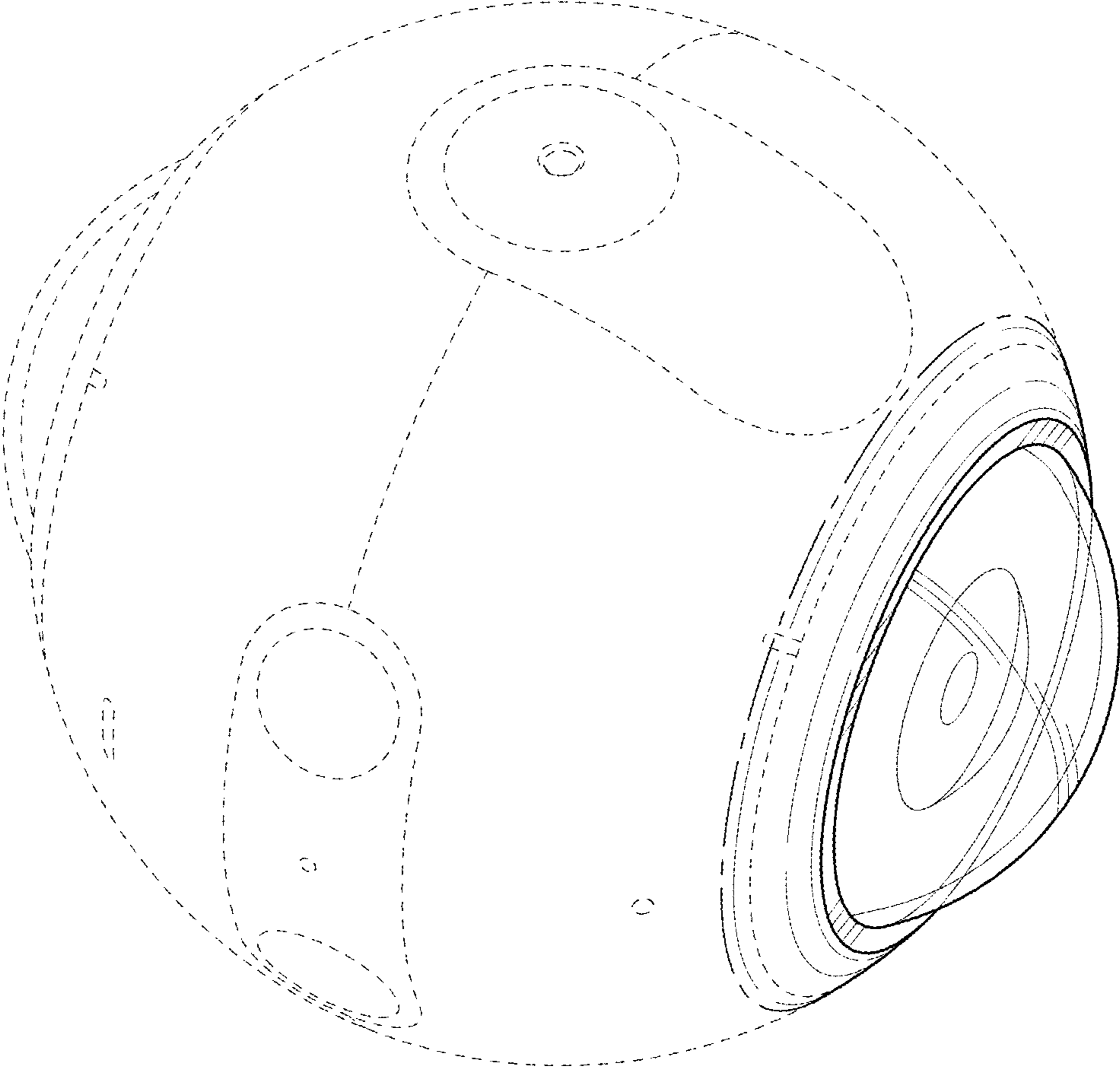


FIG.2

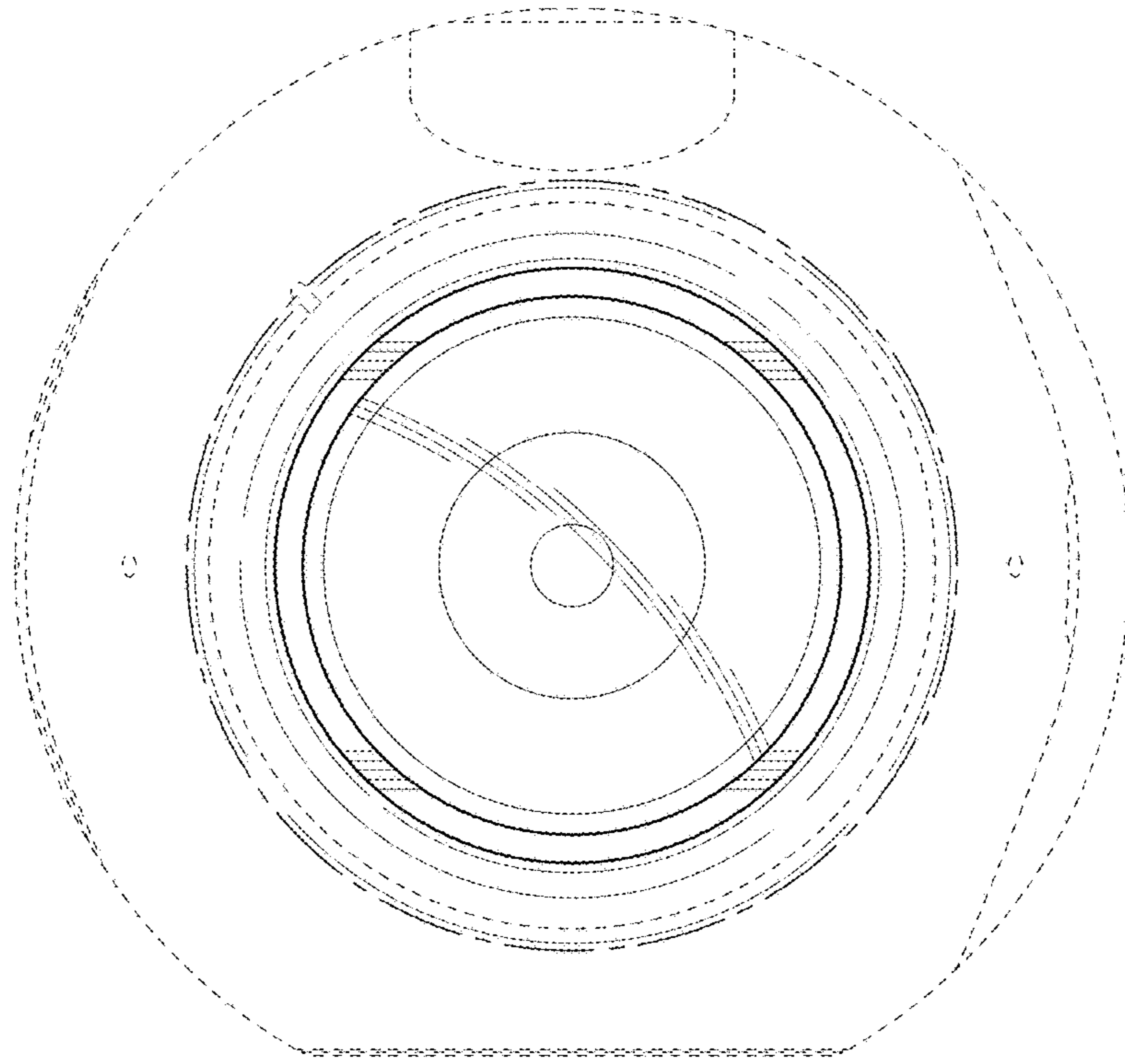


FIG.3

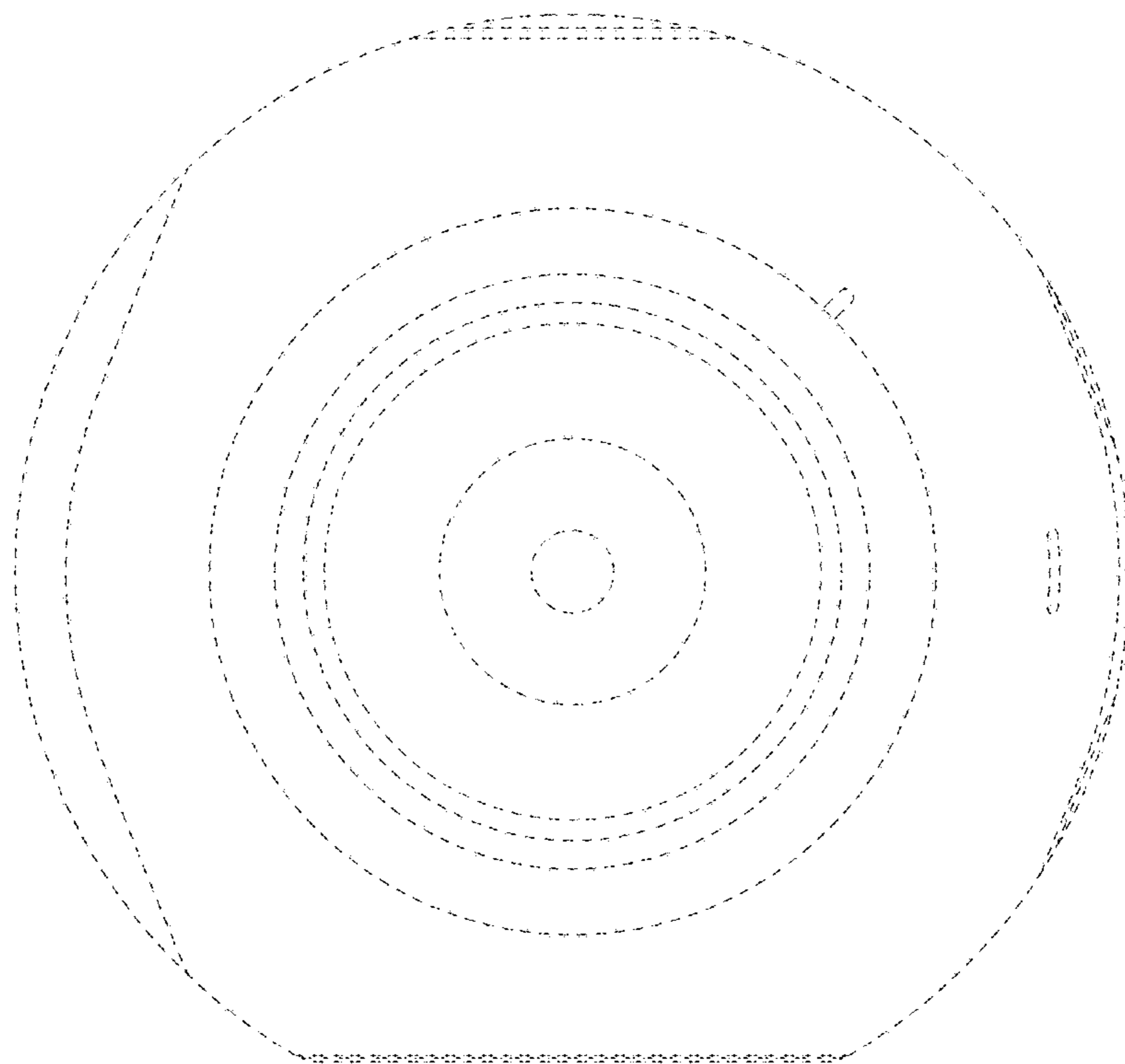


FIG.4

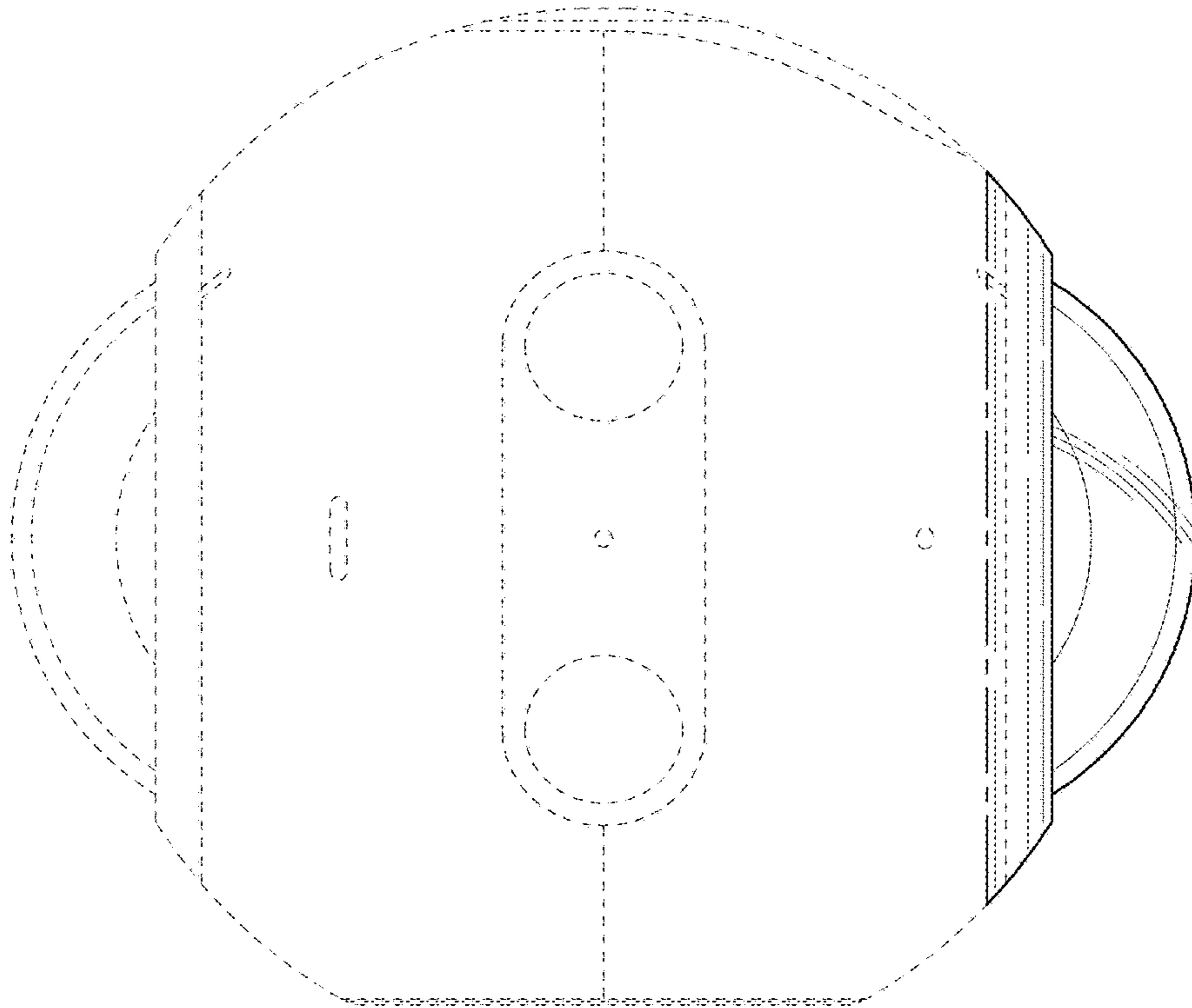


FIG.5

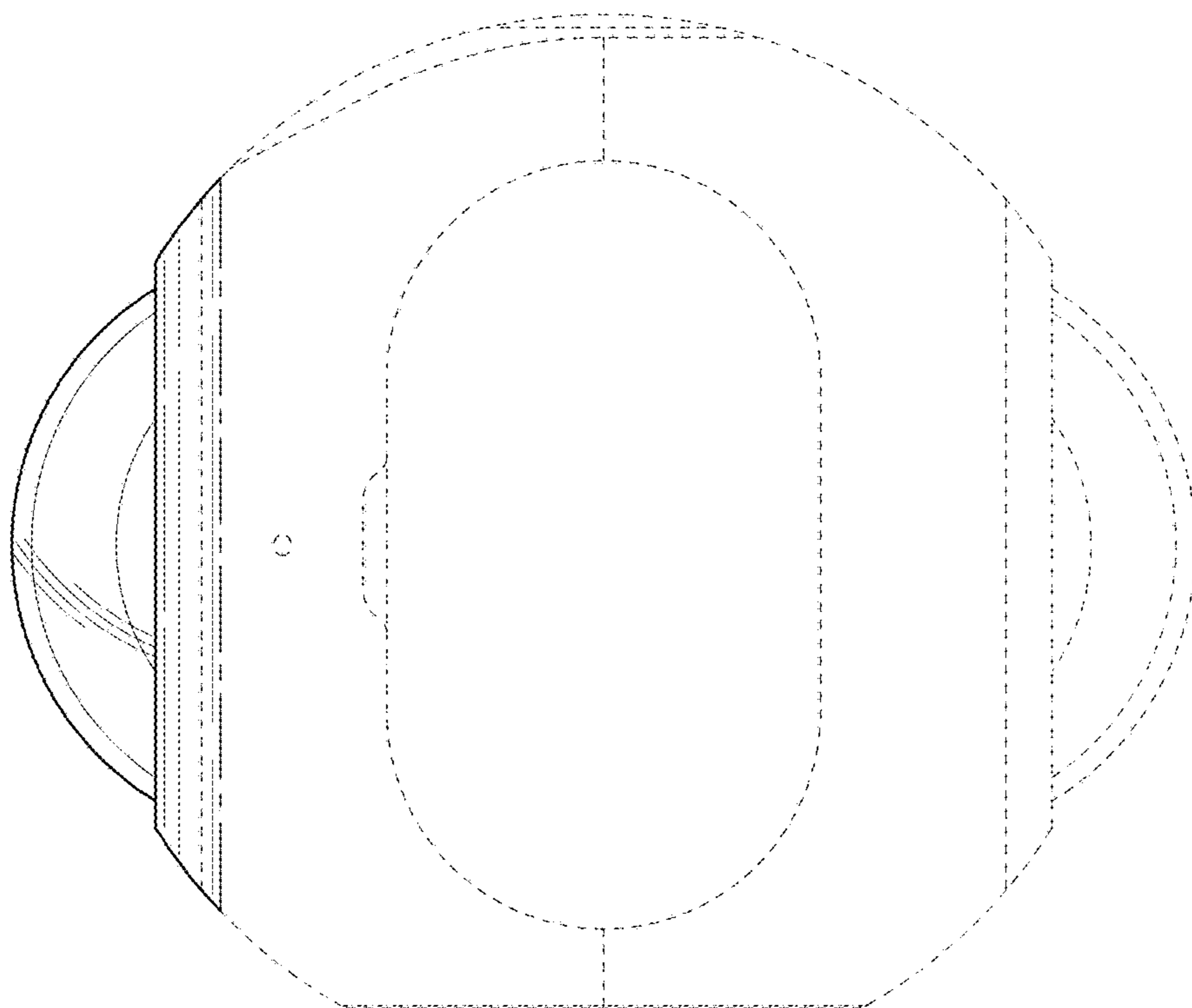


FIG.6

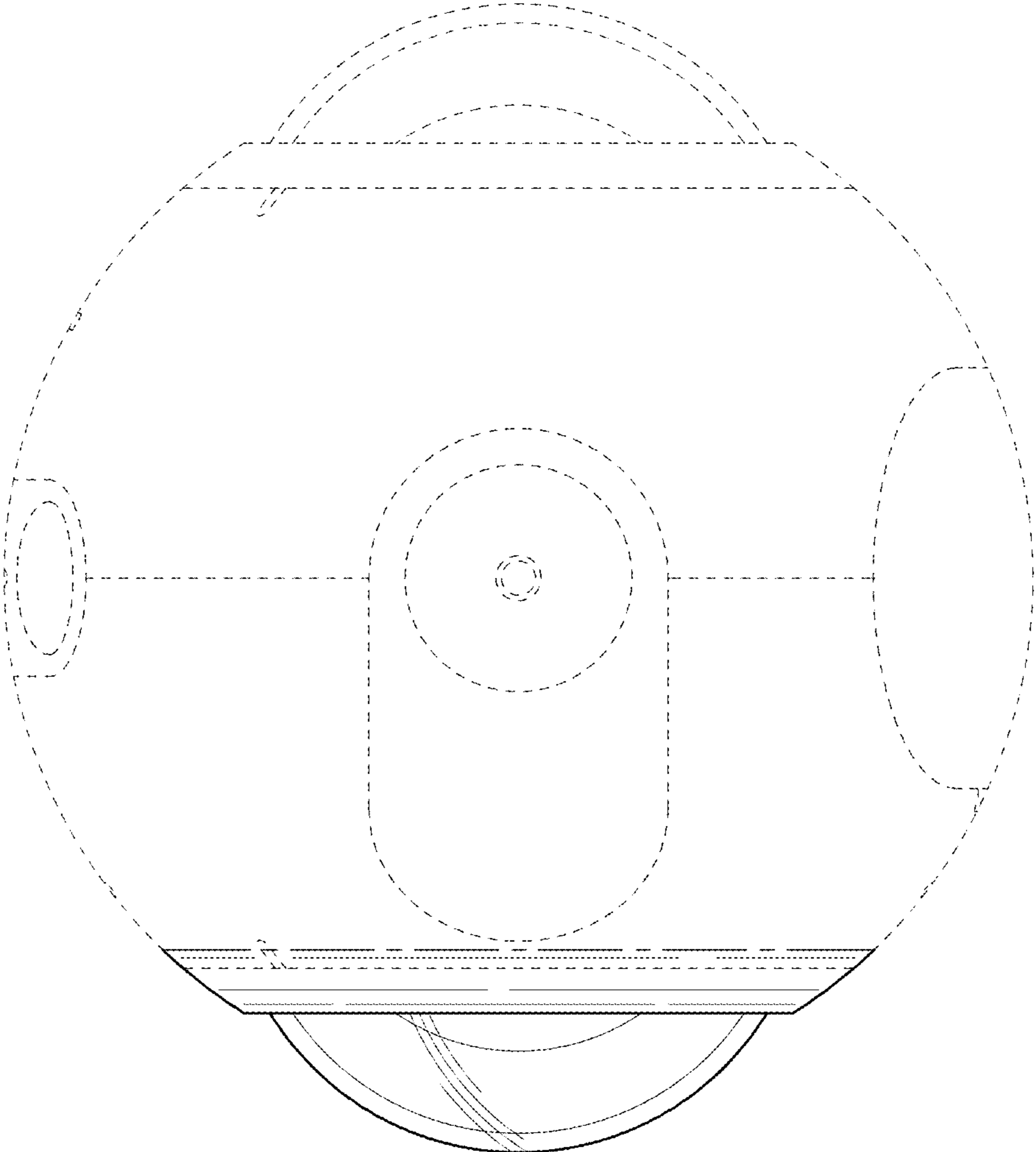


FIG.7

