



US00D820336S

(12) **United States Design Patent**  
**Zhang et al.**

(10) **Patent No.:** **US D820,336 S**  
(45) **Date of Patent:** **\*\* Jun. 12, 2018**

(54) **HALF-BALL CAMERA**

(71) Applicant: **ZHEJIANG DAHUA TECHNOLOGY CO., LTD.**, Hangzhou (CN)

(72) Inventors: **Fangfang Zhang**, Hangzhou (CN); **Li Chen**, Hangzhou (CN)

(73) Assignee: **ZHEJIANG DAHUA TECHNOLOGY CO., LTD.**, Hangzhou (CN)

(\*\*) Term: **15 Years**

(21) Appl. No.: **29/589,347**

(22) Filed: **Dec. 30, 2016**

(30) **Foreign Application Priority Data**

Nov. 22, 2016 (CN) ..... 2016 3 0567088

(51) **LOC (11) Cl.** ..... **16-01**

(52) **U.S. Cl.**  
USPC ..... **D16/203**

(58) **Field of Classification Search**  
USPC ..... D16/200, 202–206, 218, 219, 242, D16/208–209; 348/143, 148, 151, 348/373–376; 396/419, 427, 535, 396/539–541  
CPC ..... G03B 17/02; G03B 19/04; G03B 17/56; G03B 17/04; G03B 15/03; H04N 5/2251; H04N 5/2252; H04N 5/2253; H04N 5/2254; H04N 7/181; H04N 7/183; H04N 7/18; G08B 13/1963; G08B 13/19619; G08B 13/19632; F16M 11/04; F16M 13/00

See application file for complete search history.

(56) **References Cited**

**U.S. PATENT DOCUMENTS**

6,678,001 B1 \* 1/2004 Elberbaum ..... G08B 13/19619 348/373  
D513,028 S \* 12/2005 Maruyama ..... D16/203

D564,557 S \* 3/2008 Yamamoto ..... D16/203  
7,609,321 B2 \* 10/2009 Yamane ..... G03B 17/02 348/151  
7,651,281 B2 \* 1/2010 Wen ..... G03B 15/03 348/373  
D615,114 S \* 5/2010 Arnold ..... D16/203  
D694,798 S \* 12/2013 Deurwaarder ..... D16/203  
D704,240 S \* 5/2014 McBride ..... D16/203  
D740,870 S \* 10/2015 Park ..... D16/203

(Continued)

*Primary Examiner* — Philip S Hyder

*Assistant Examiner* — Ramzi Almatrahi

(74) *Attorney, Agent, or Firm* — Metis IP LLC

(57) **CLAIM**

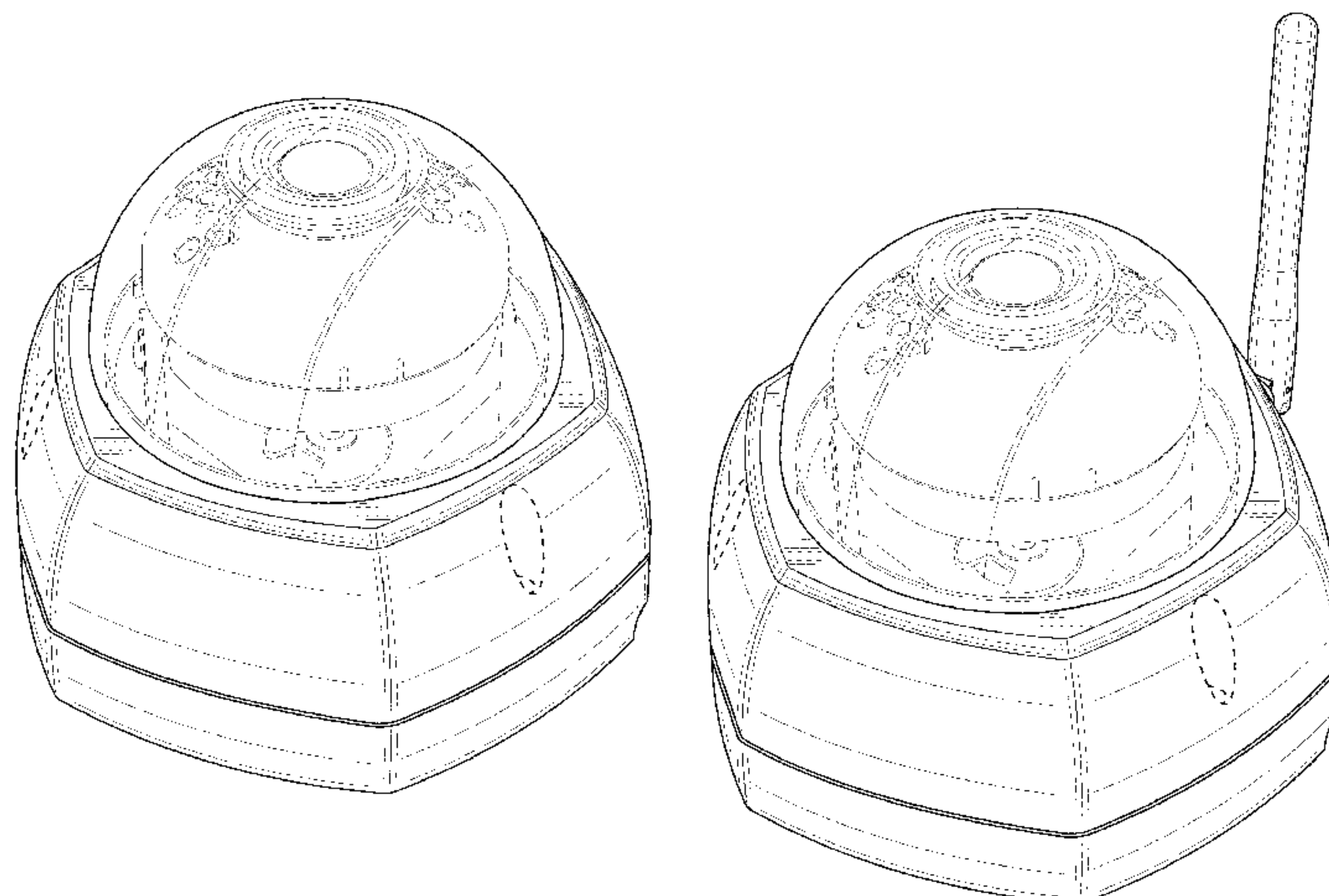
The ornamental design for a half-ball camera, as shown and described.

**DESCRIPTION**

FIG. 1 is a perspective view of a first embodiment of a half-ball camera showing our new design; FIG. 2 is a front elevation view thereof; FIG. 3 is a rear elevation view thereof; FIG. 4 is a right side elevation view thereof; FIG. 5 is a left side elevation view thereof; FIG. 6 is a top plan view thereof; FIG. 7 is a bottom plan view of the half-ball camera; FIG. 8 is a perspective view of a second embodiment of a half-ball camera, shown with an antenna; FIG. 9 is a front elevation view thereof; FIG. 10 is a rear elevation view thereof; FIG. 11 is a right side elevation view thereof; FIG. 12 is a left side elevation view thereof; FIG. 13 is a top plan view thereof; and, FIG. 14 is a bottom plan view thereof.

The broken lines depict portions of the half-ball camera in which the design is embodied that form no part of the claimed design.

**1 Claim, 14 Drawing Sheets**



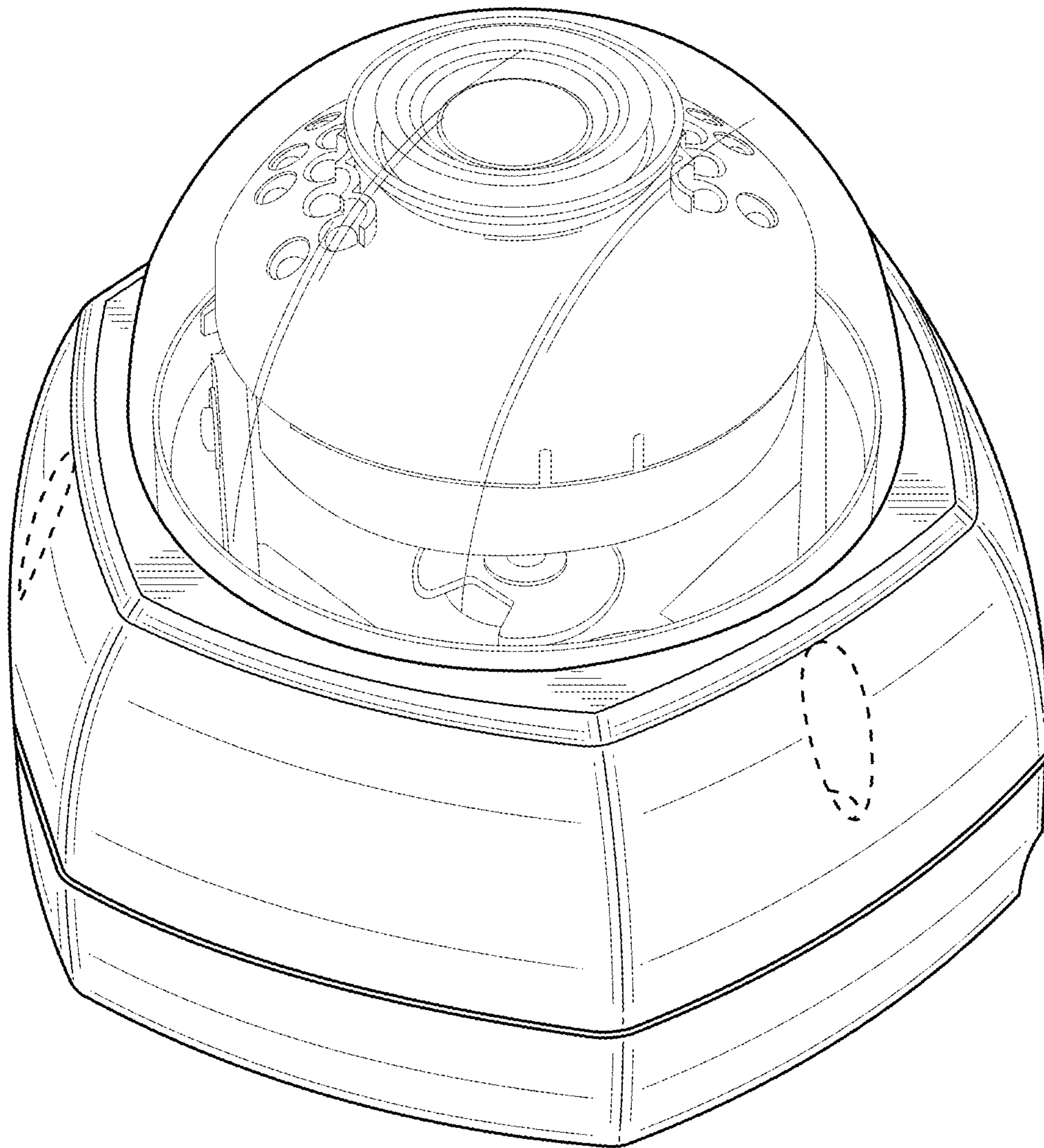
(56)

**References Cited**

U.S. PATENT DOCUMENTS

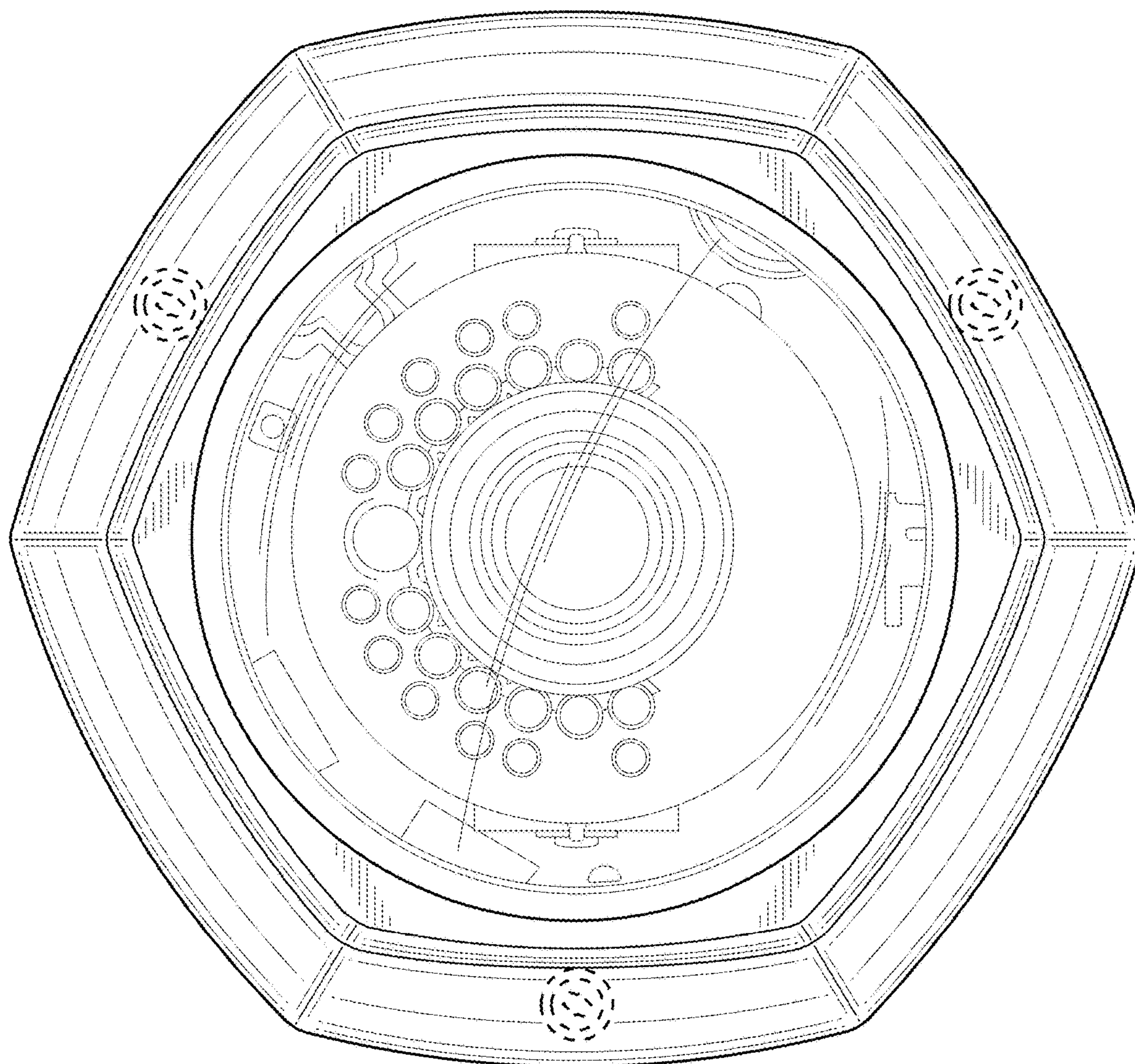
D750,683 S *	3/2016	Bergstrom .....	D16/203
D752,675 S *	3/2016	Ravat .....	D16/203
D753,206 S *	4/2016	Ravat .....	D16/203
D798,934 S *	10/2017	Wu .....	D16/203

\* cited by examiner

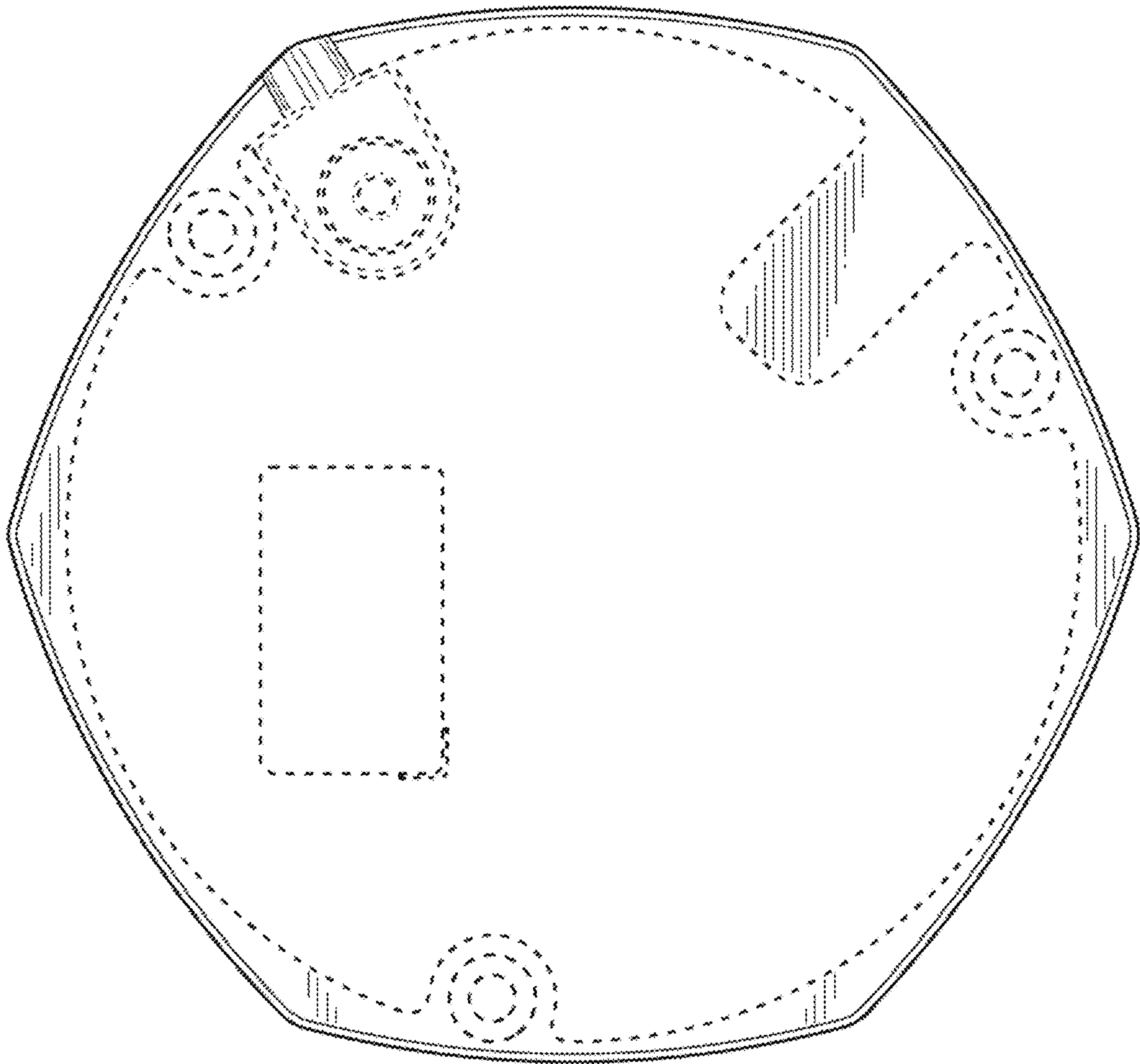


**FIG. 1**

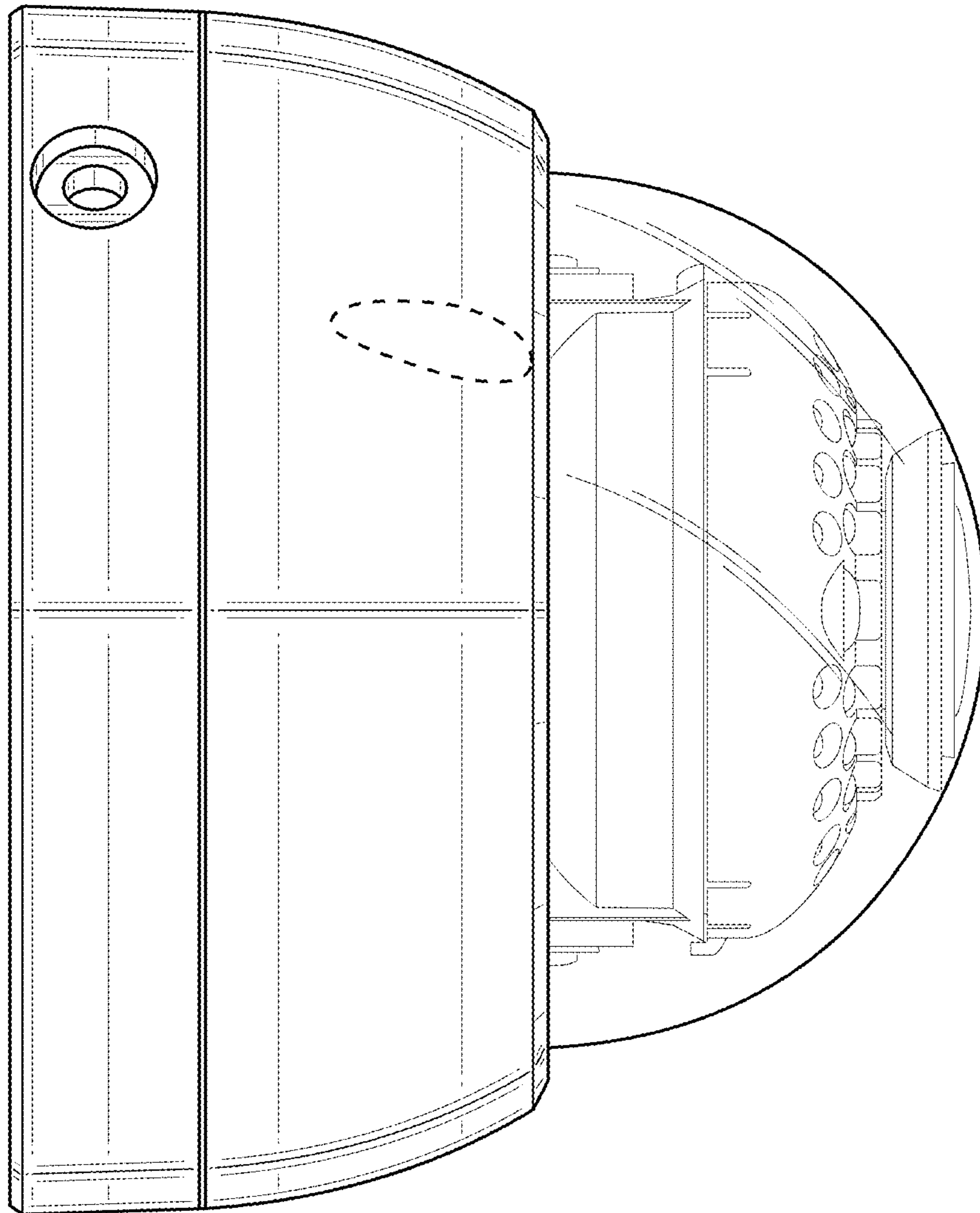




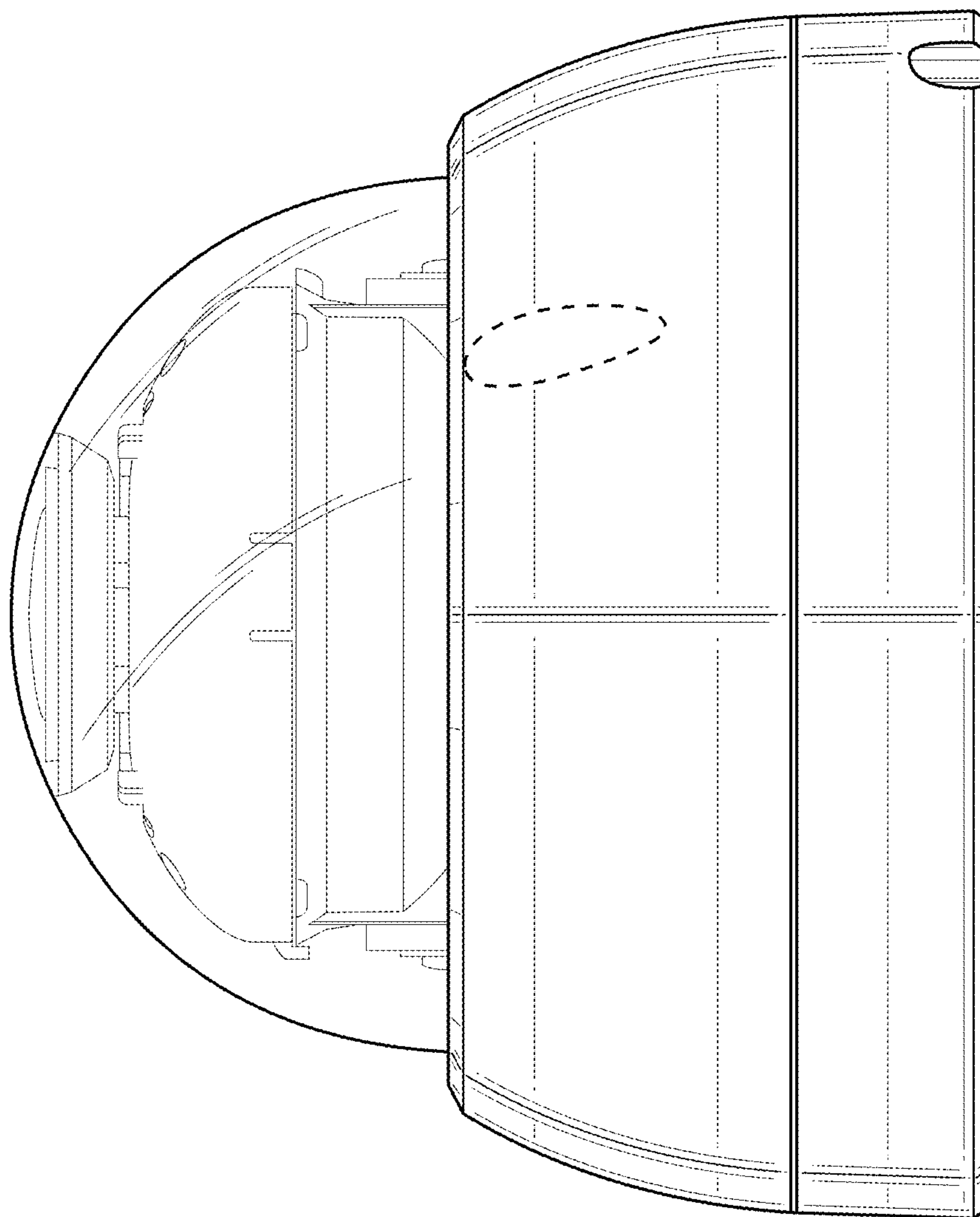
**FIG. 2**



**FIG. 3**

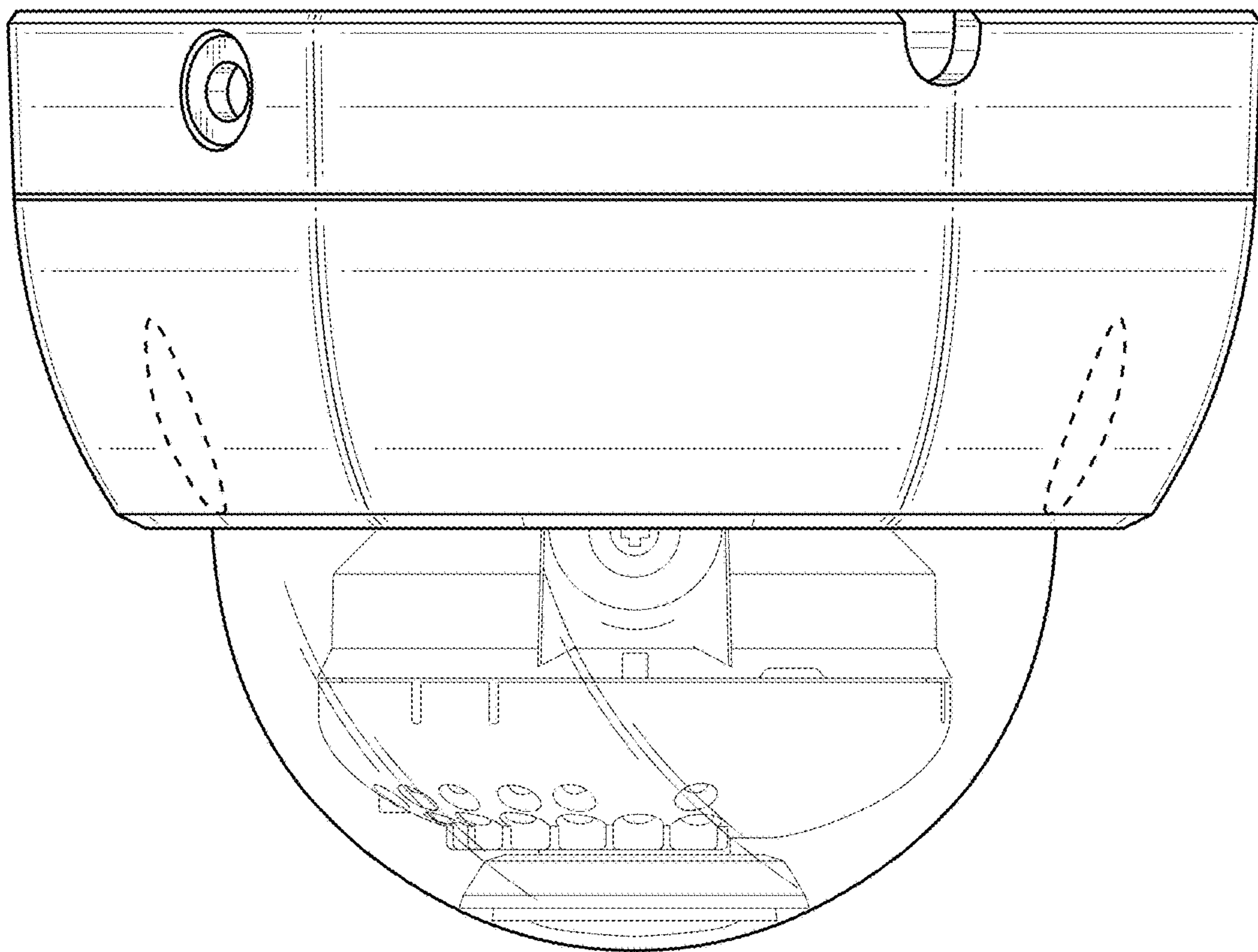


**FIG. 4**



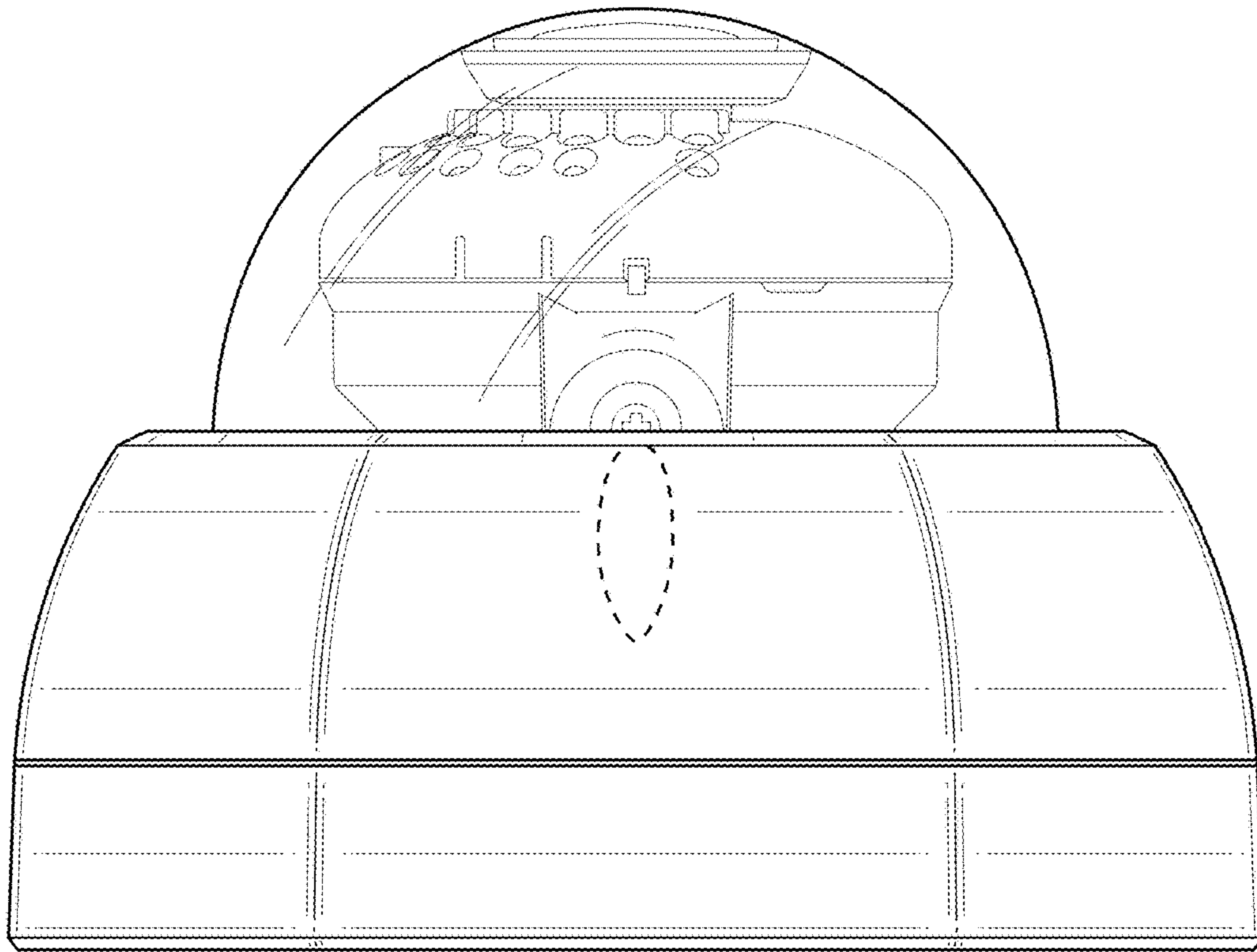
**FIG. 5**



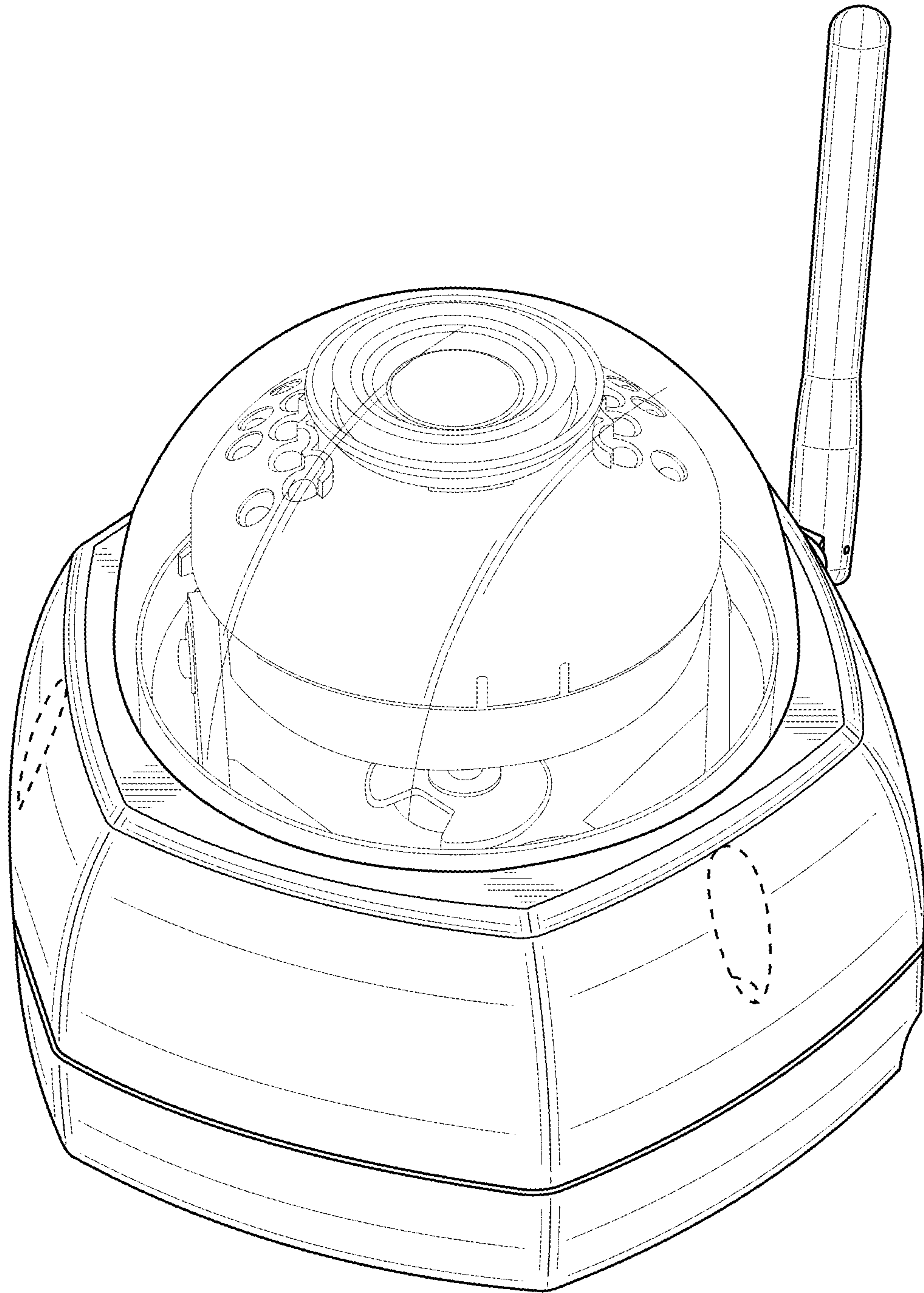


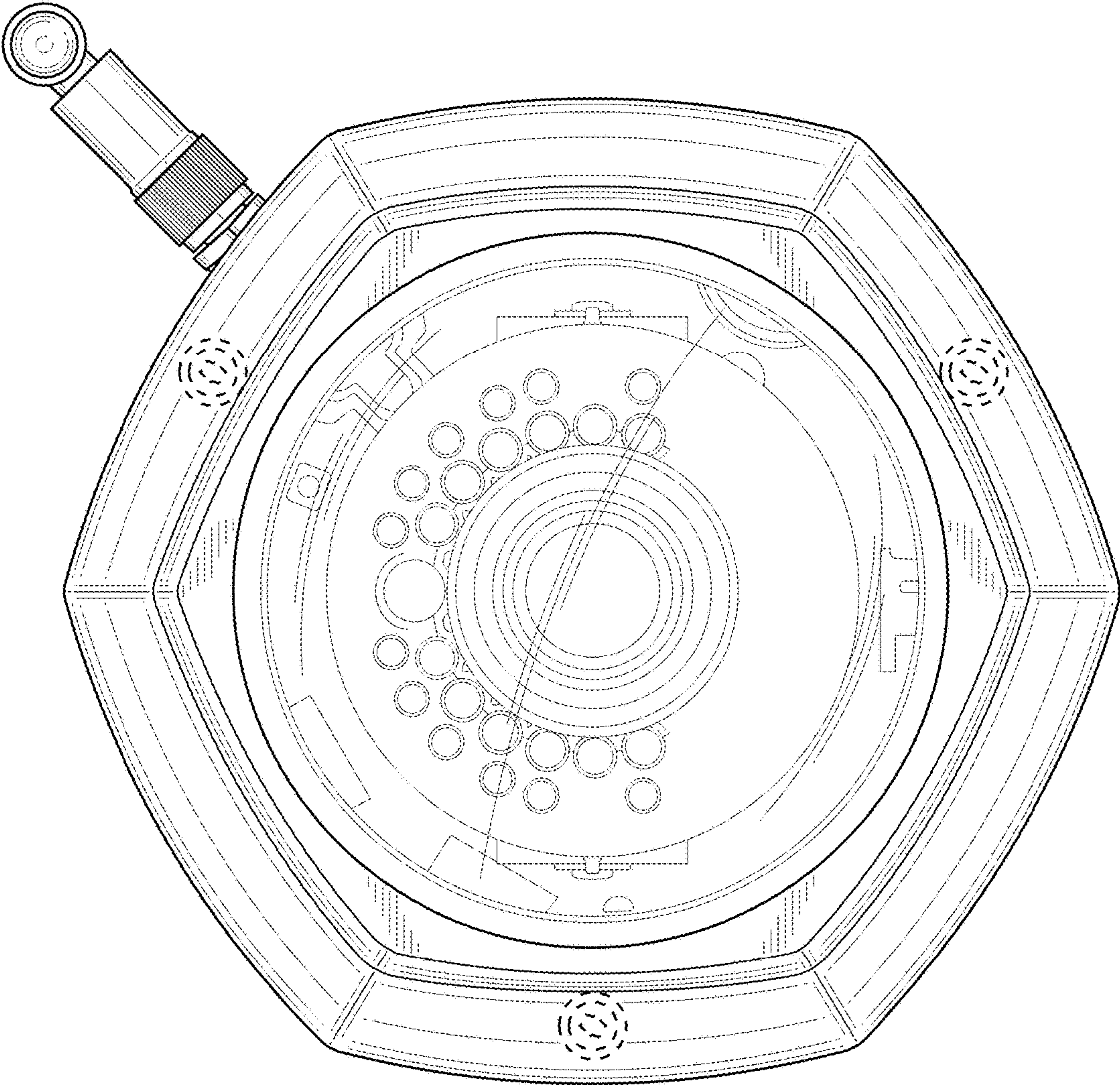
**FIG. 6**



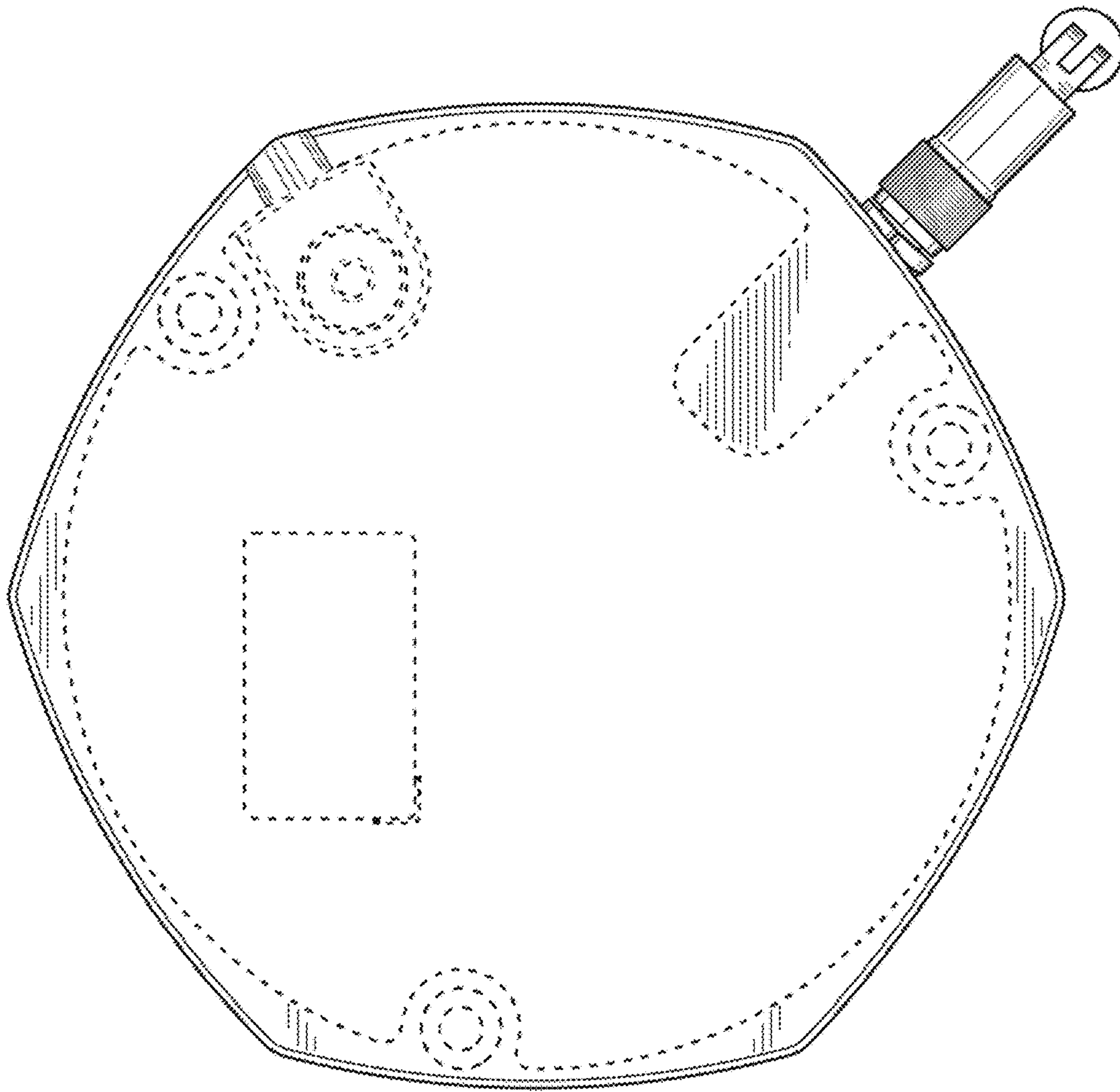


**FIG. 7**



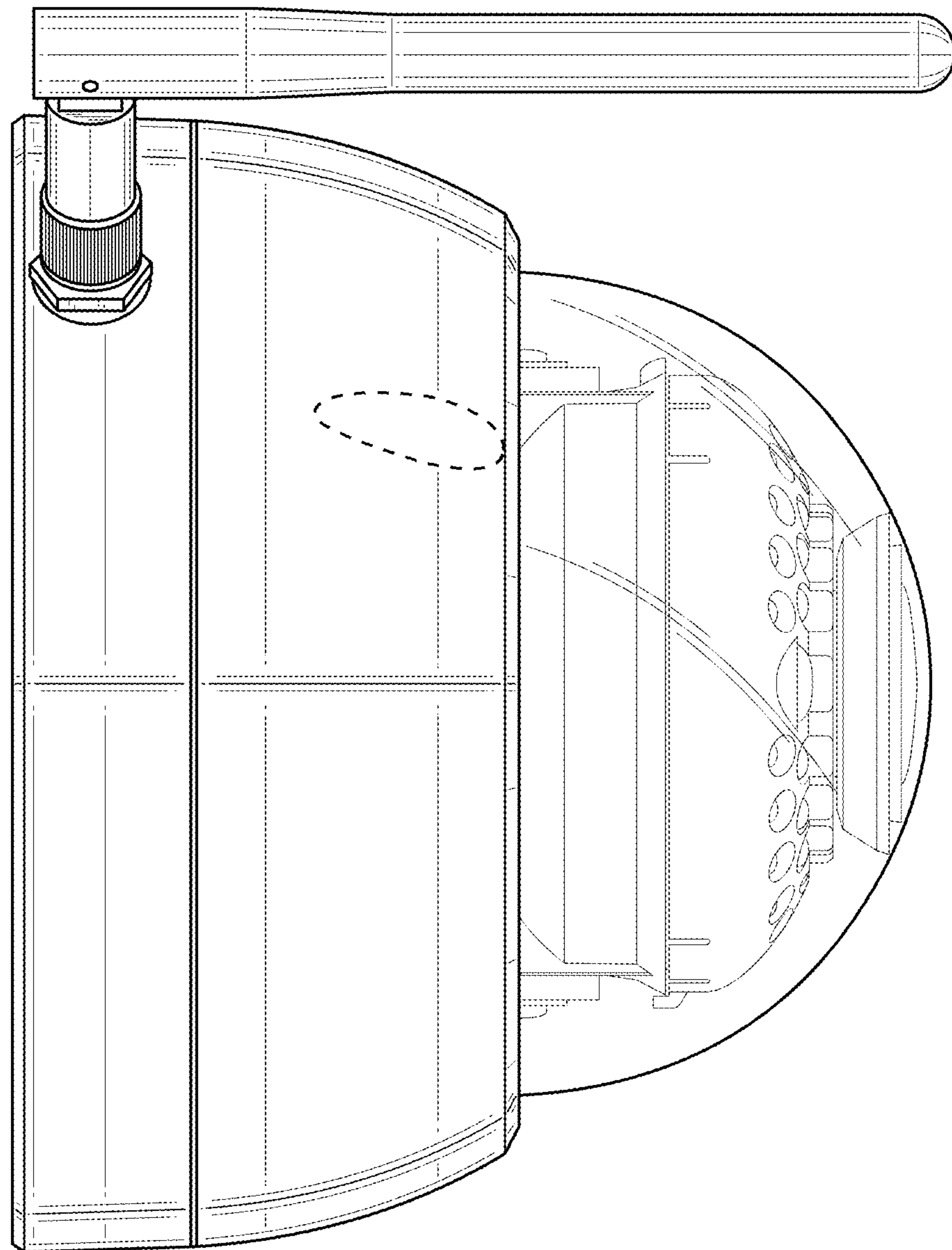


**FIG. 9**

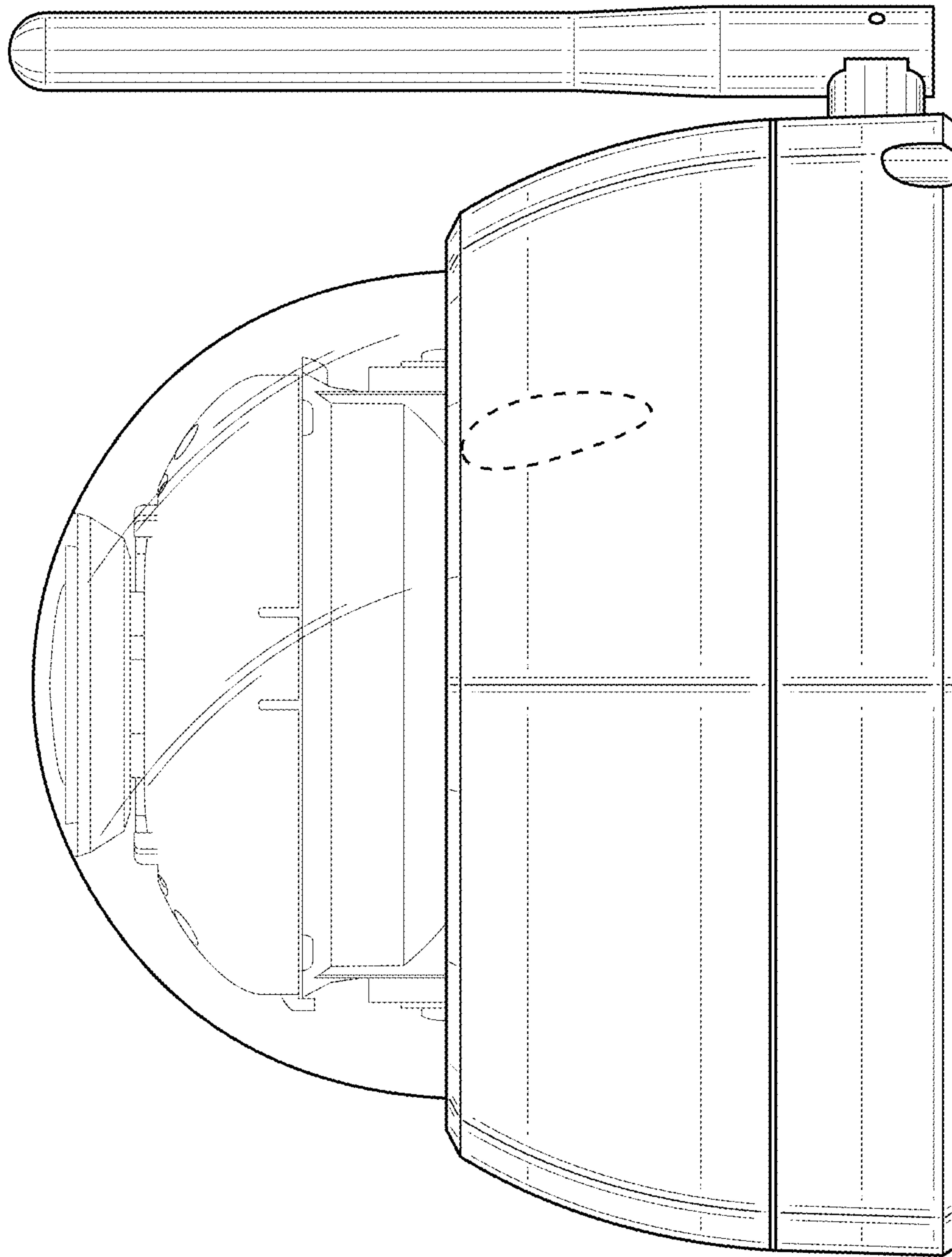


**FIG. 10**

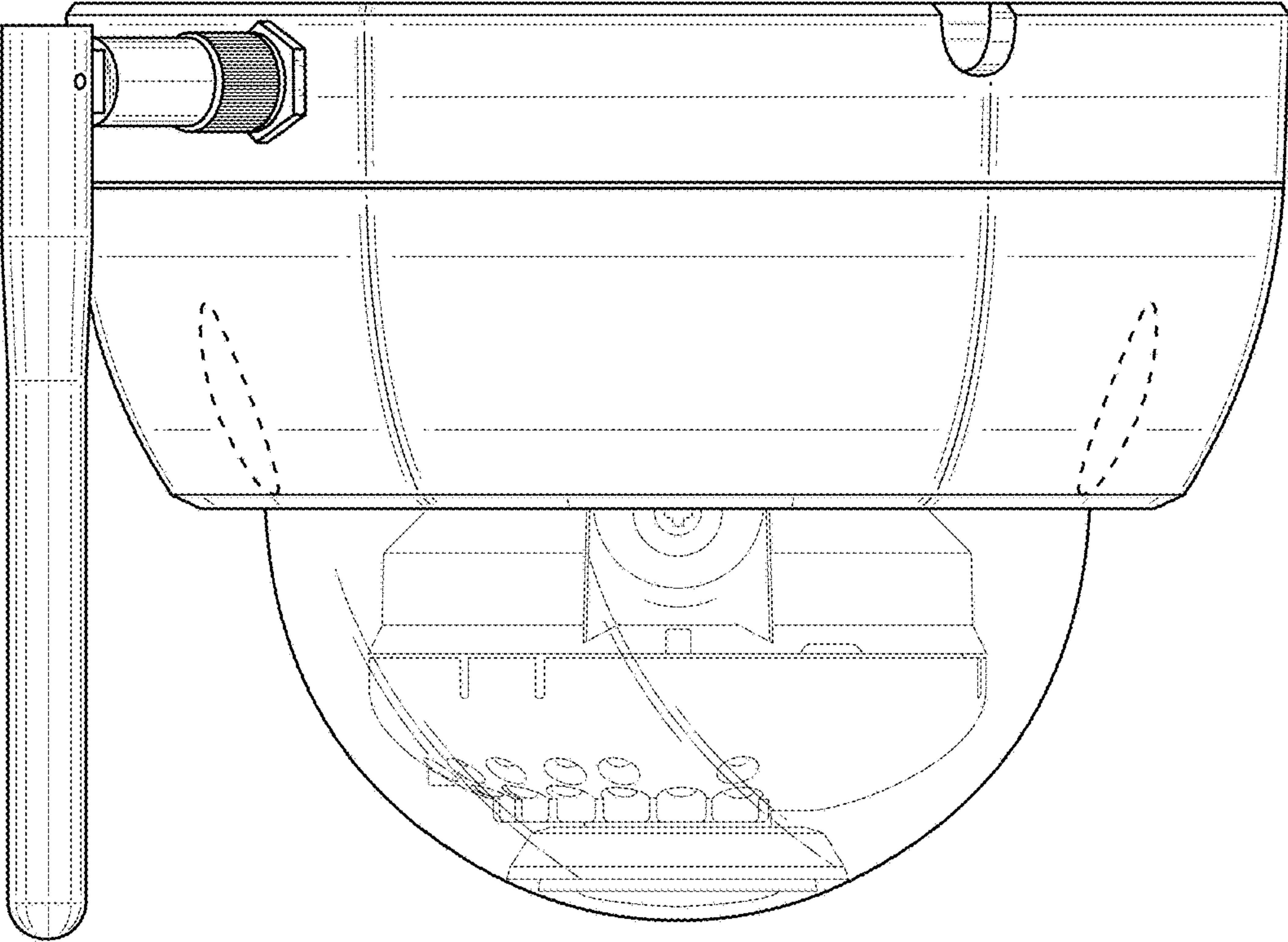




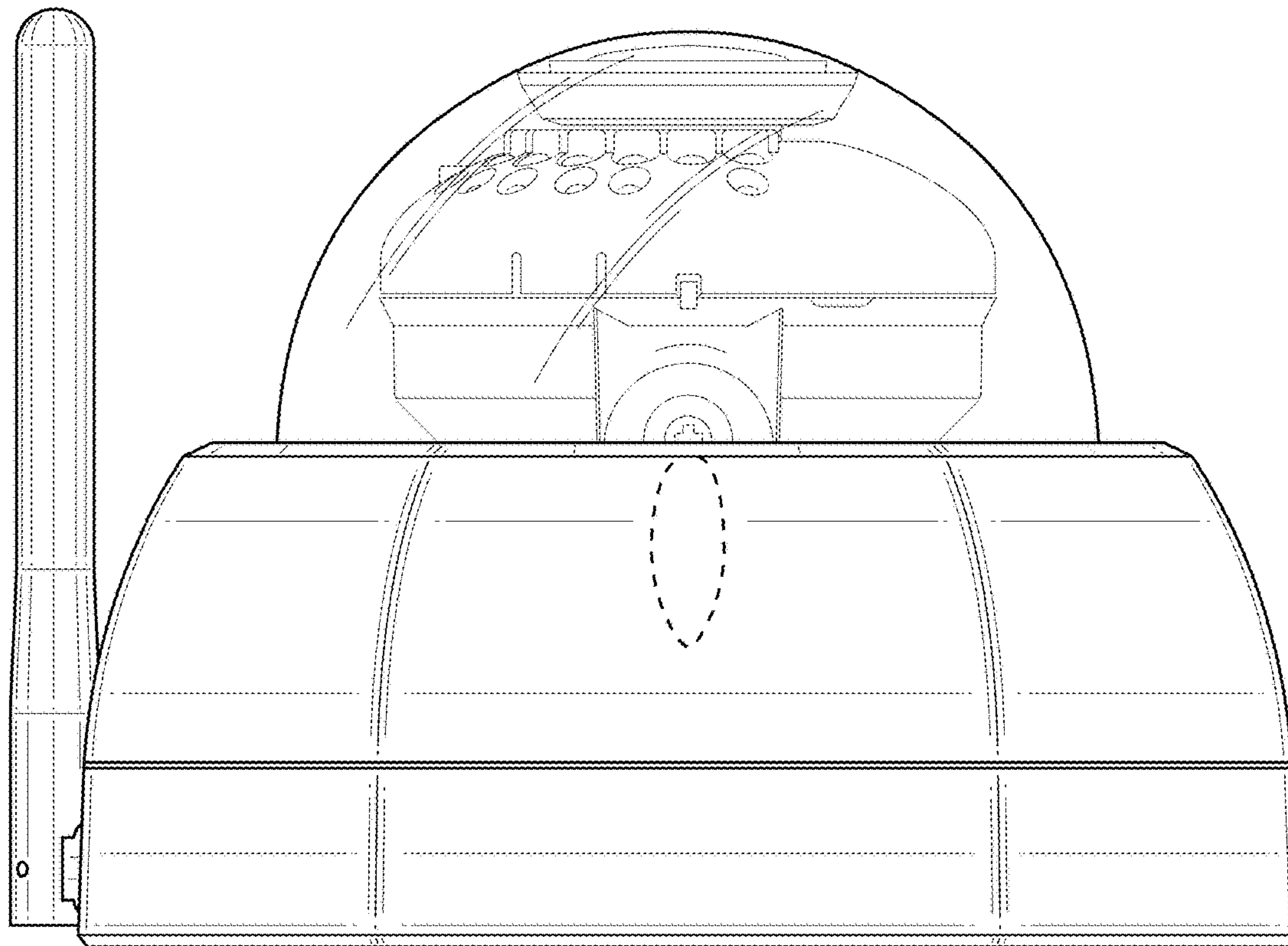
**FIG. 11**



**FIG. 12**



**FIG. 13**



**FIG. 14**