



US00D820332S

(12) **United States Design Patent**  
**Brusky et al.**

(10) **Patent No.:** **US D820,332 S**

(45) **Date of Patent:** **\*\* Jun. 12, 2018**

(54) **PORTABLE WELDING MACHINE**

(71) Applicant: **Lincoln Global, Inc.**, Santa Fe Springs, CA (US)

(72) Inventors: **Joseph R. Brusky**, Euclid, OH (US);  
**Samuel P. Crescenze**, Massillon, OH (US); **Brian M. Turk**, Willoughby, OH (US); **Alexander C. Mehlman**, Lakewood, OH (US)

(73) Assignee: **LINCOLN GLOBAL, INC.**, Santa Fe Springs, CA (US)

(\*\*) Term: **15 Years**

(21) Appl. No.: **29/602,770**

(22) Filed: **May 3, 2017**

(51) **LOC (11) Cl.** ..... **15-03**

(52) **U.S. Cl.**  
USPC ..... **D15/144**

(58) **Field of Classification Search**  
USPC ..... D15/122, 135, 138, 141, 144, 144.1, D15/144.2

CPC ... B29C 66/71; B29C 66/7212; B29C 66/124; B29C 65/1612; B29C 65/1635; B29C 65/1654; B29C 65/1677; B29C 66/112; B29C 66/114; B29C 66/242; B29C 66/244; B29C 66/322; B29C 66/53462; B29C 66/73776; B29C 66/73921; B29C 66/73941; B29C 65/16; B29C 66/1162; B29C 66/1226; B29C 66/7315; B29C 66/7352; B29C 66/73772; B29C 66/934

See application file for complete search history.

(56) **References Cited**

U.S. PATENT DOCUMENTS

D416,030	S	*	11/1999	Weller	.....	D15/144.1
D626,576	S	*	11/2010	Gramatyka	.....	D15/144
D654,519	S	*	2/2012	Wujczak	.....	D15/144
D665,833	S	*	8/2012	Raymond	.....	D15/144
D679,738	S	*	4/2013	Segala	.....	D15/144
D752,665	S	*	3/2016	Kindig	.....	D15/144
D752,666	S	*	3/2016	Ge	.....	D15/144
D775,250	S	*	12/2016	Snead	.....	D15/144
2013/0228556	A1	*	9/2013	Segala	.....	B23K 10/00 219/121.39

\* cited by examiner

*Primary Examiner* — Ian Simmons

*Assistant Examiner* — Khawaja Anwar

(74) *Attorney, Agent, or Firm* — Brad C. Spencer

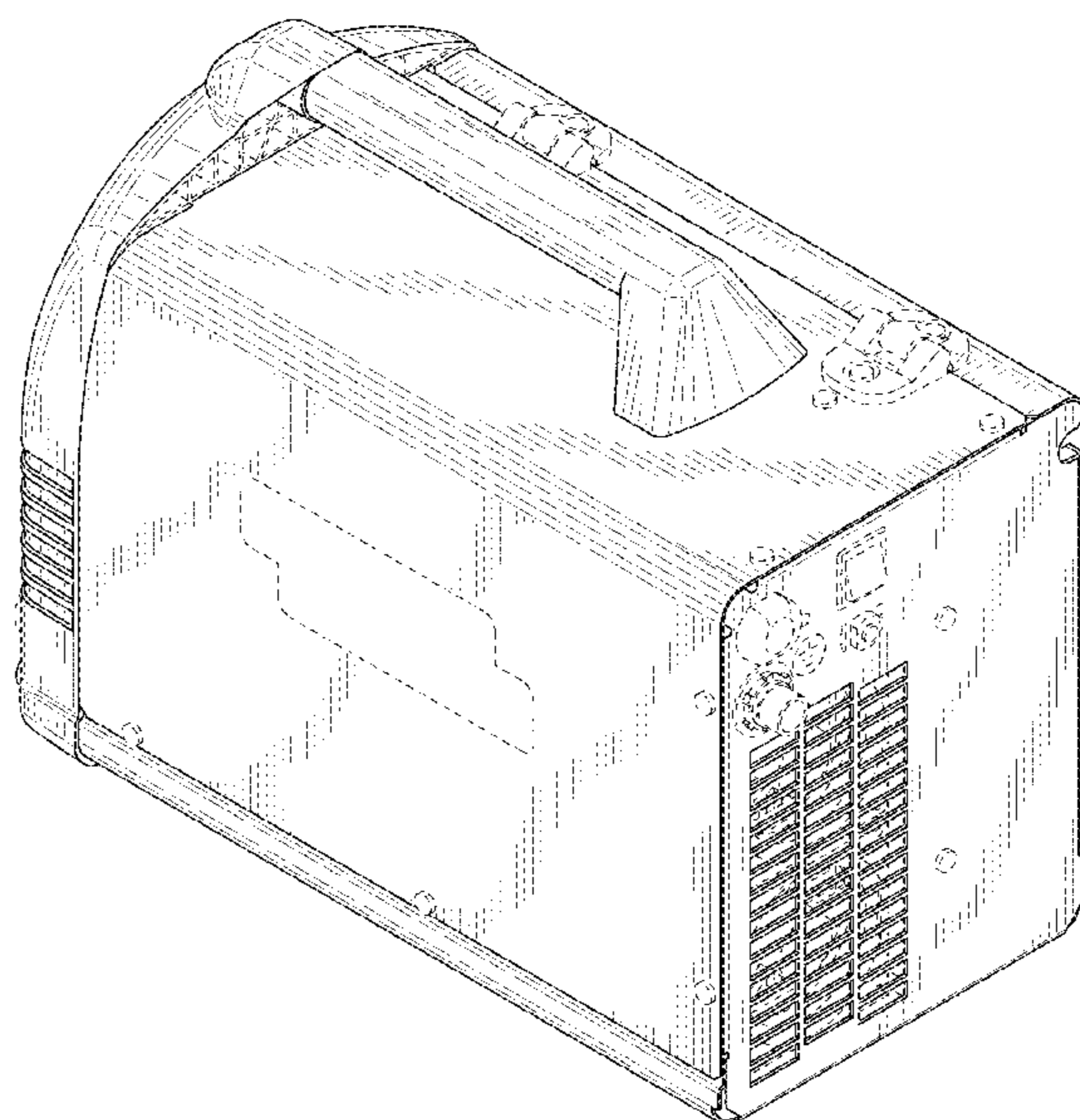
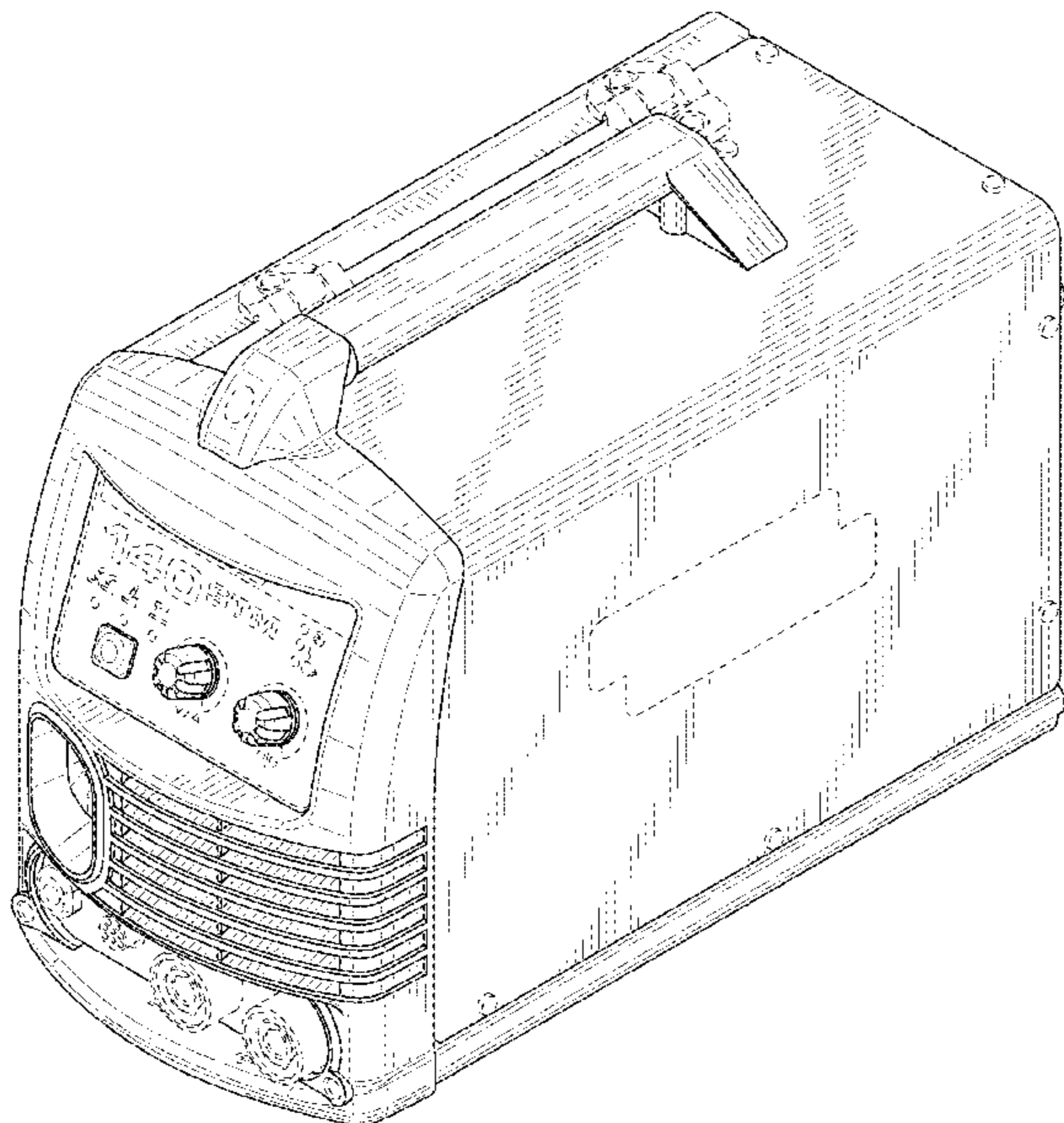
(57) **CLAIM**

The ornamental design for a portable welding machine, as shown and described.

**DESCRIPTION**

FIG. 1 is a front elevation view of a portable welding machine showing our new design; FIG. 2 is a rear elevation view thereof; FIG. 3 is a left side elevation view thereof; FIG. 4 is a right side elevation view thereof; FIG. 5 is a top plan view thereof; and FIG. 6 is a bottom plan view thereof. FIG. 7 is a front perspective view thereof; FIG. 8 is a rear perspective view thereof; FIG. 9 is a left side perspective view thereof; and FIG. 10 is a right side perspective view thereof. The broken lines in the drawings depict unclaimed environmental subject matter.

**1 Claim, 9 Drawing Sheets**



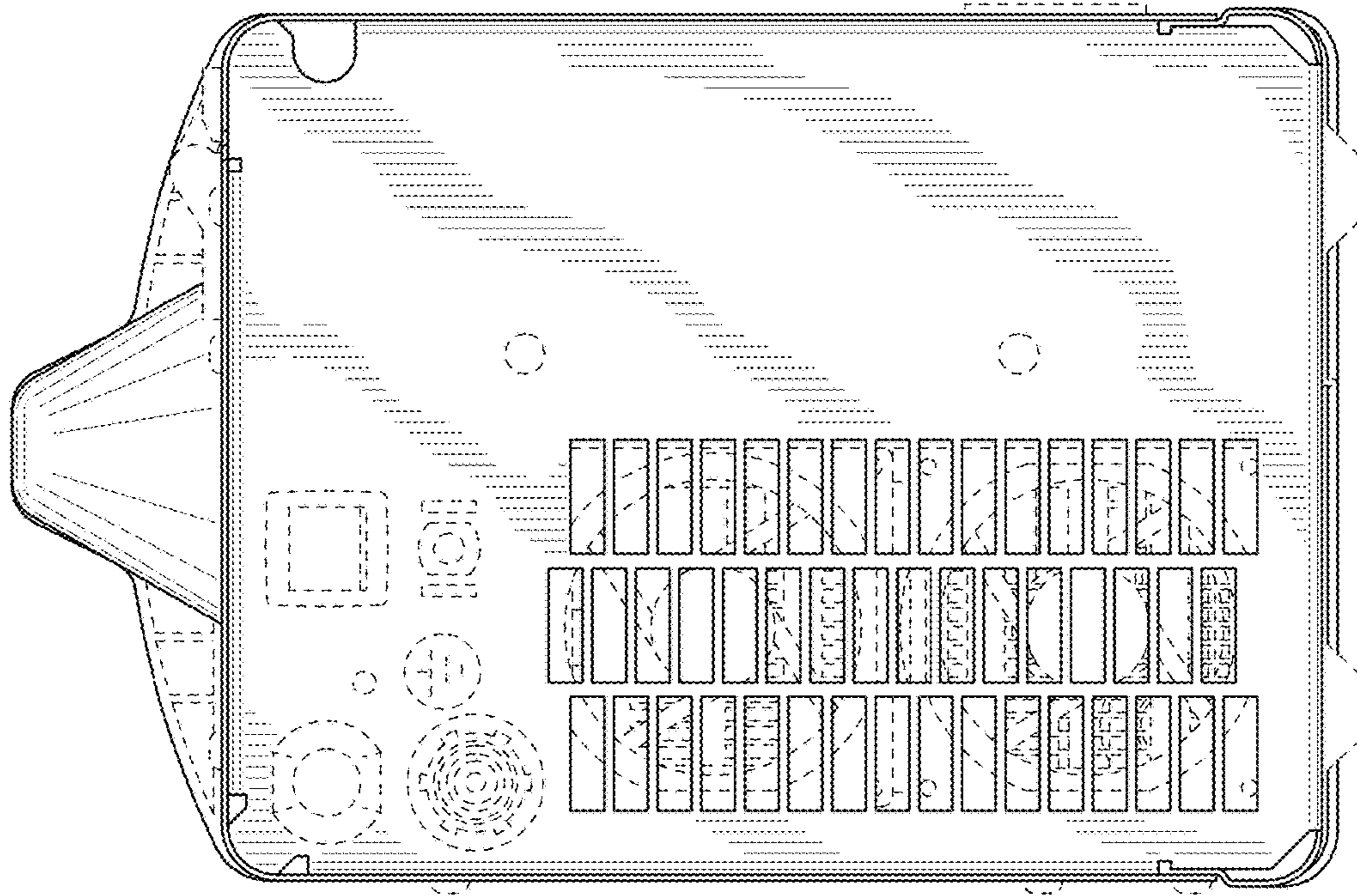


FIG. 1

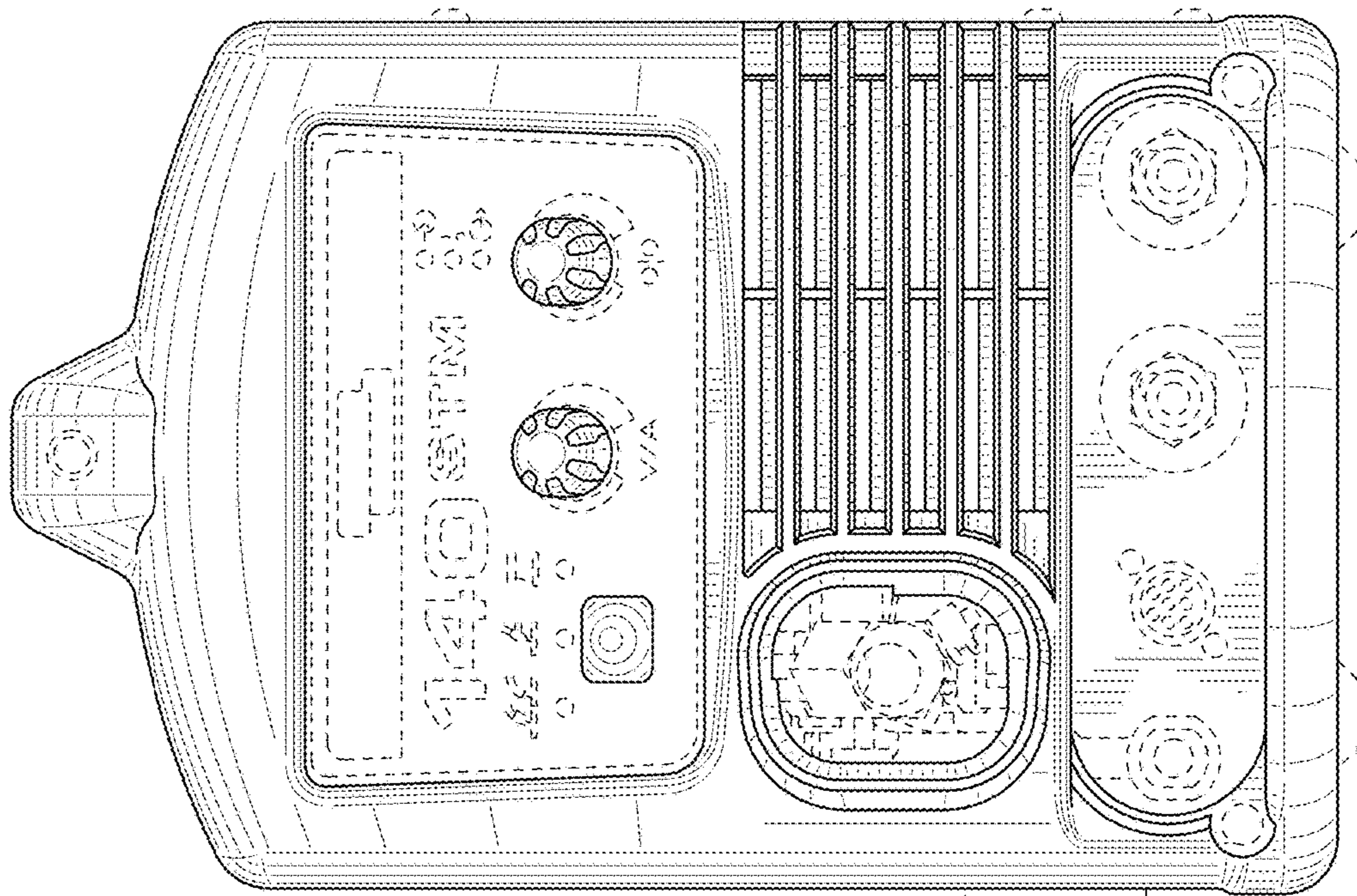


FIG. 2

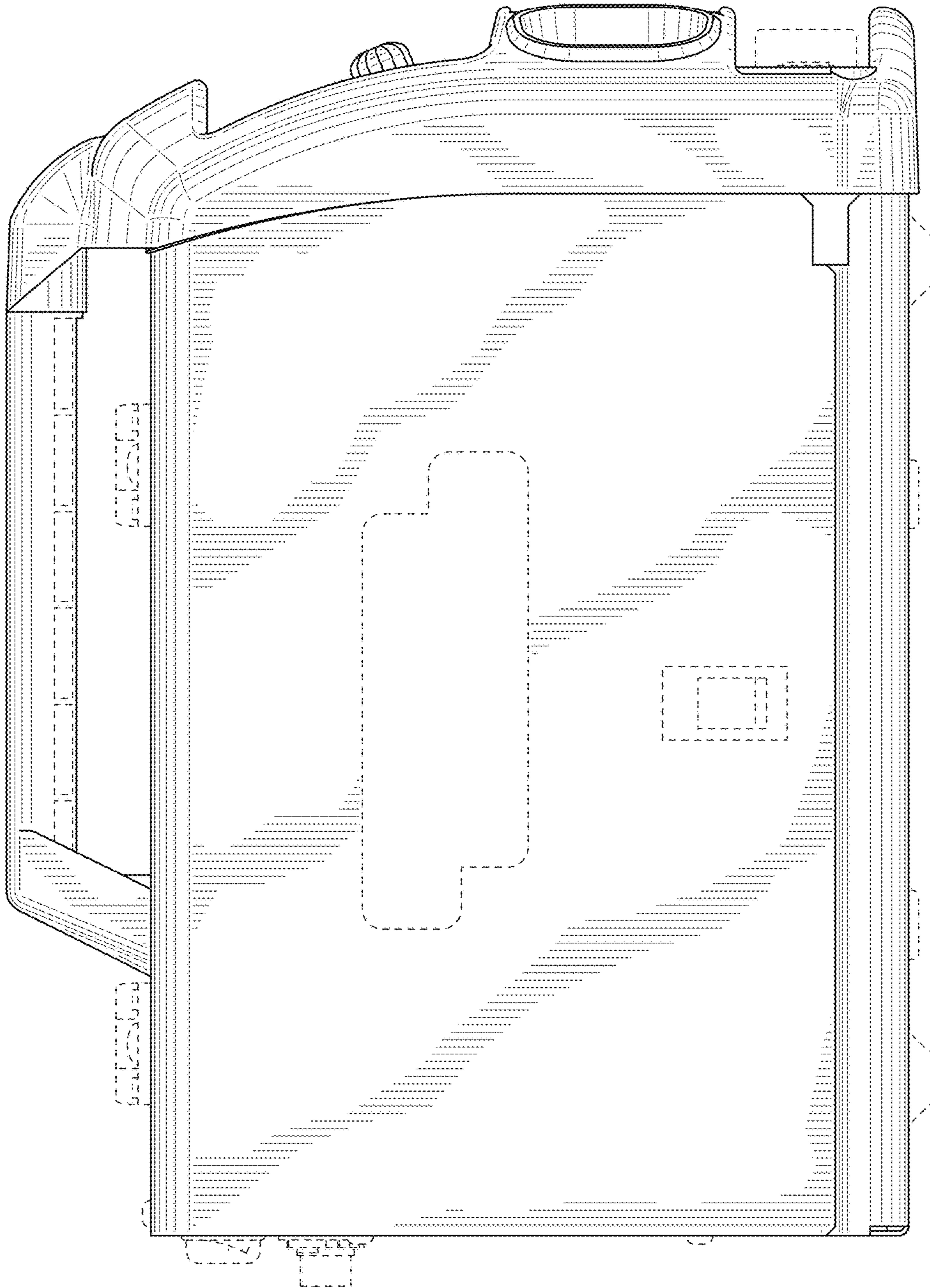


FIG. 3

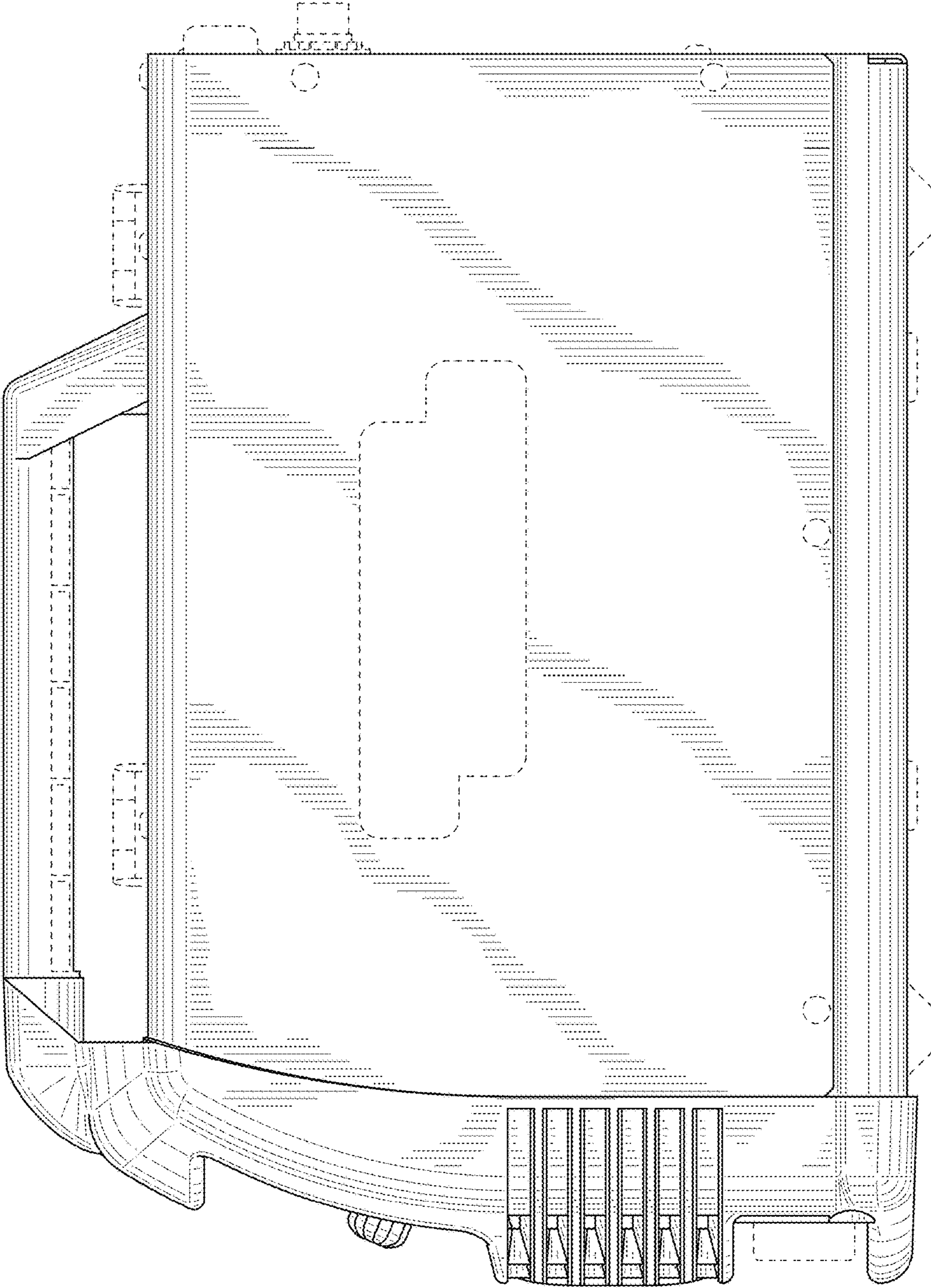


FIG. 4

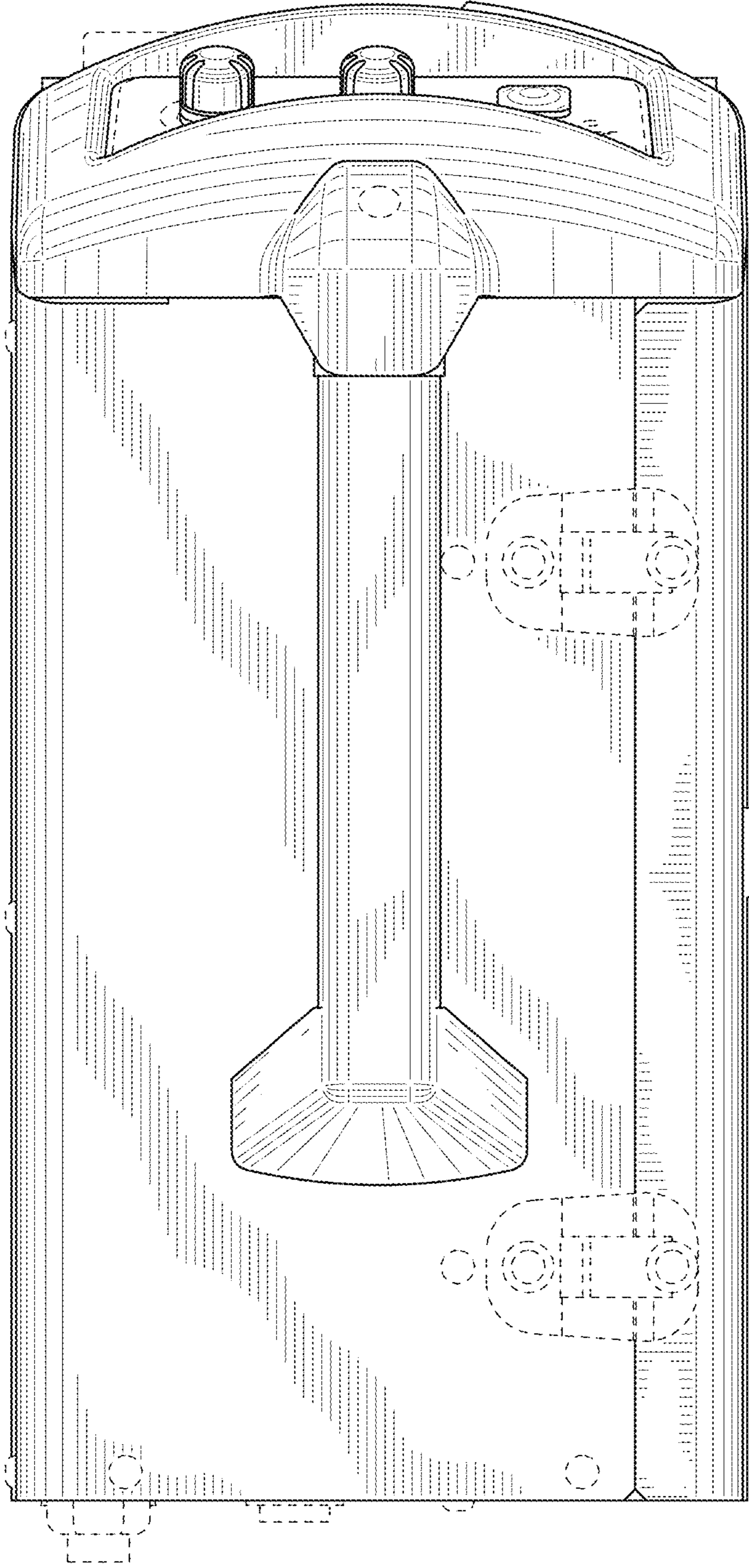


FIG. 5

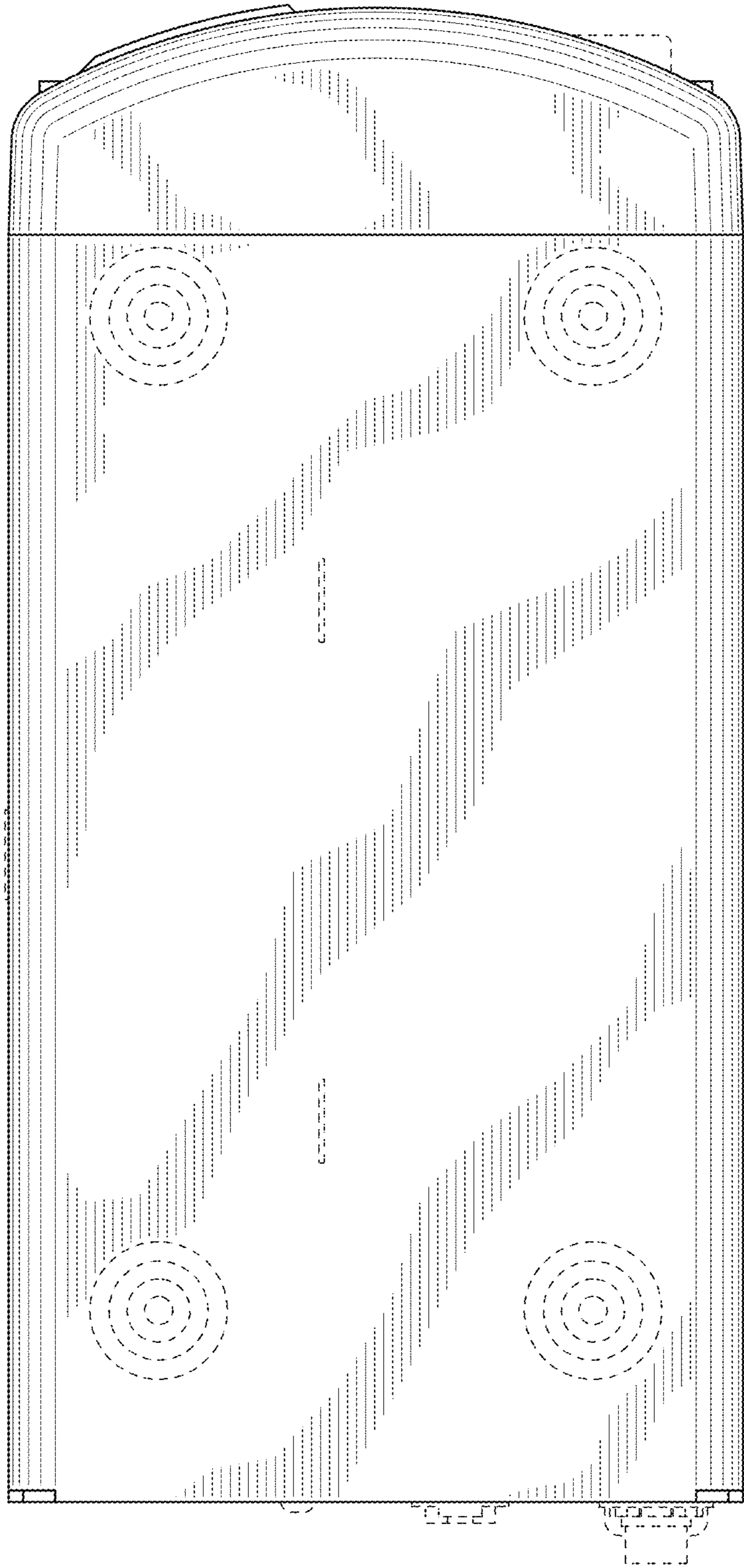


FIG. 6

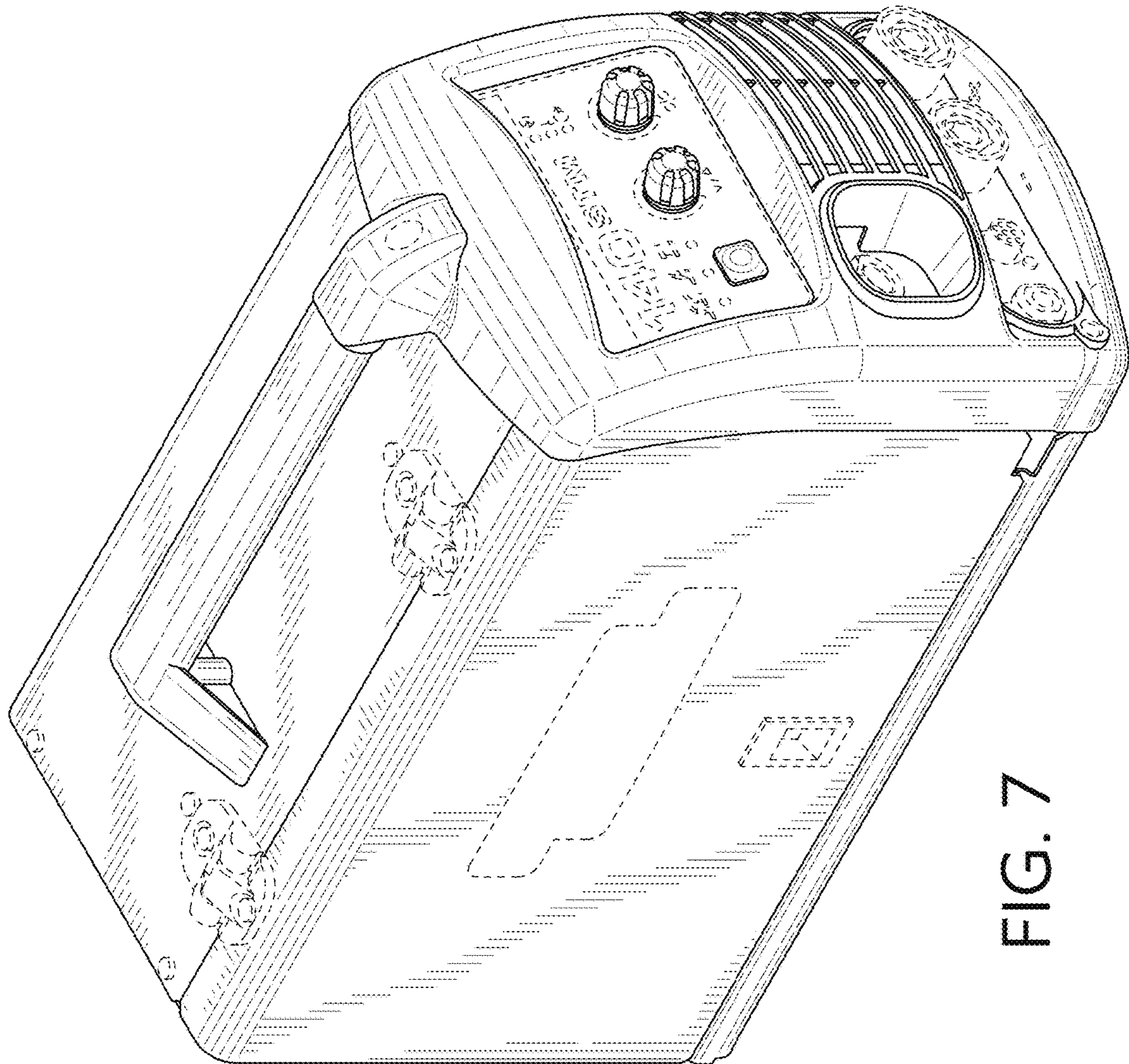


FIG. 7

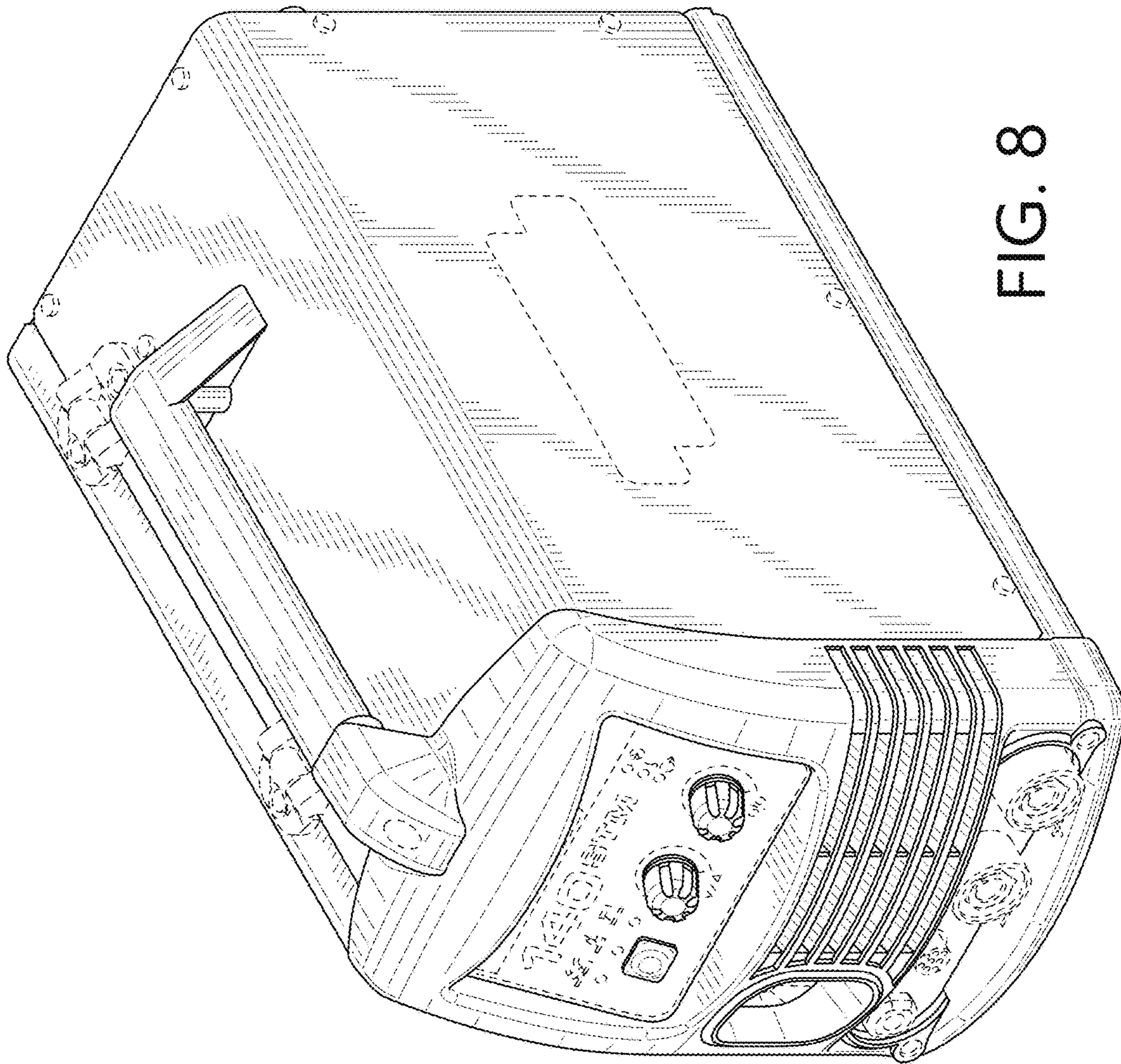


FIG. 8



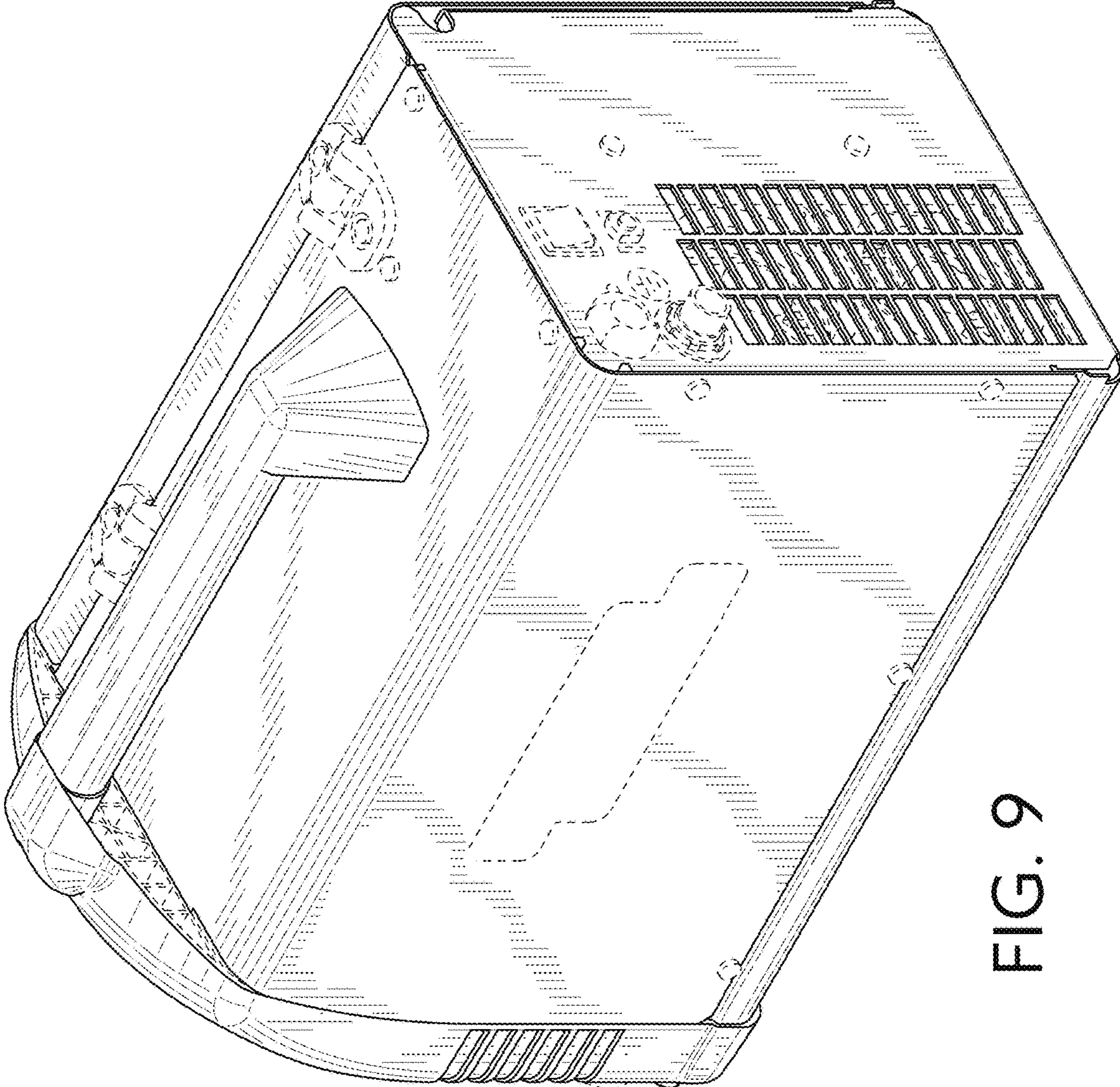


FIG. 9

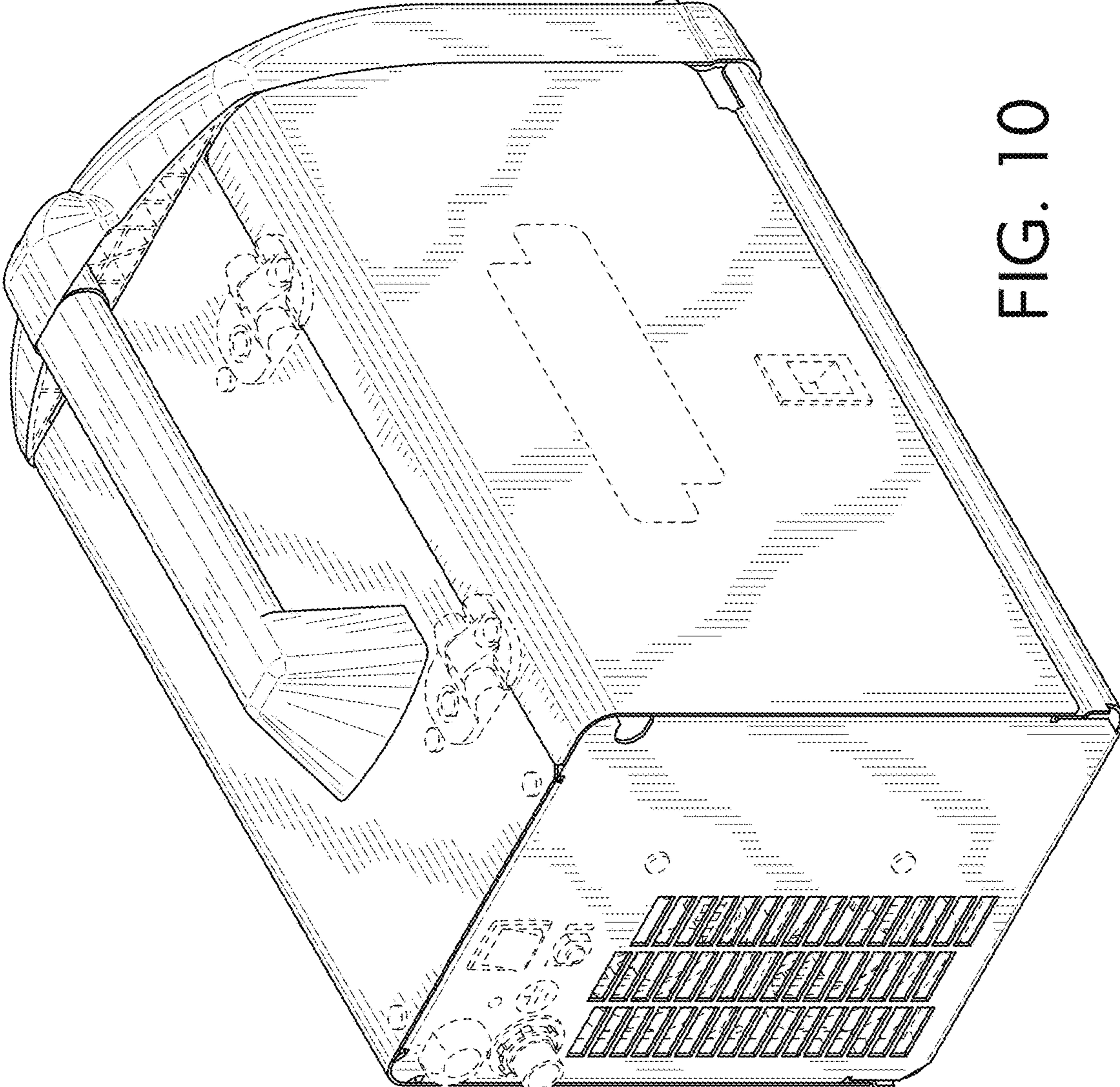


FIG. 10