

US00D820331S

(12) **United States Design Patent** (10) **Patent No.:** **US D820,331 S**
Walters et al. (45) **Date of Patent:** **** Jun. 12, 2018**

(54) **AIR-ASSISTED TORCH** 5,564,918 A * 10/1996 Lin F23D 14/28
 431/255
 (71) Applicant: **WORTHINGTON TORCH, LLC,** D376,302 S * 12/1996 Tsai D8/29.1
 Columbus, OH (US) 5,667,377 A * 9/1997 Lin F23D 14/28
 126/406
 (72) Inventors: **Cliff Ryan Walters,** Westerville, OH 5,921,768 A * 7/1999 Joncg F23Q 2/16
 (US); **Eric Albert Sillies,** Cincinnati, OH (US); **Jason Robert Phillips,** 431/255
 Cincinnati, OH (US) 6,065,959 A 5/2000 Tsai
 (Continued)

(73) Assignee: **WORTHINGTON TORCH, LLC,**
 Columbus, OH (US)

(**) Term: **15 Years**

(21) Appl. No.: **29/569,020**

(22) Filed: **Jun. 23, 2016**

(51) **LOC (11) Cl.** **15-09**

(52) **U.S. Cl.**
 USPC **D15/144**

(58) **Field of Classification Search**
 USPC D15/144, 144.1, 144.2; D8/29.1, 29.2,
 D8/30, 61-63, 67-69; D7/416, 417;
 D27/141, 147, 148, 154-161; 219/130.1,
 219/132, 137.31, 137.41, 137.44, 75;
 431/254-256, 266, 273-277
 CPC F23D 14/28; F23D 14/465; F23D 14/38;
 F23D 14/72; F23D 14/40; F23Q 2/16
 See application file for complete search history.

(56) **References Cited**

U.S. PATENT DOCUMENTS

D200,876 S * 4/1965 Kuenzl D8/22
 D241,705 S * 10/1976 Kotone D8/61
 D260,846 S * 9/1981 Summers 219/121.39
 D302,097 S * 7/1989 Spaulding D8/30
 5,082,440 A * 1/1992 Yamamoto F23D 14/28
 431/143
 D357,848 S * 5/1995 Izumisawa D8/62
 5,505,614 A * 4/1996 Lin F23D 14/28
 431/143
 5,538,419 A 7/1996 Lin

OTHER PUBLICATIONS

“LG40 PT-31 Air Plasma Cutting Torch Head Body.” Found online
 Mar. 29, 2018 at www.amazon.com. Page dated Jul. 11, 2015.
 Retrieved from URL: https://goo.gl/gSr6uw (Year: 2015).*

(Continued)

Primary Examiner — Garth Rademaker

Assistant Examiner — Katelin G Kloberg

(74) *Attorney, Agent, or Firm* — Cheryl S. Scotney;
 Hasse & Nesbitt, LLC

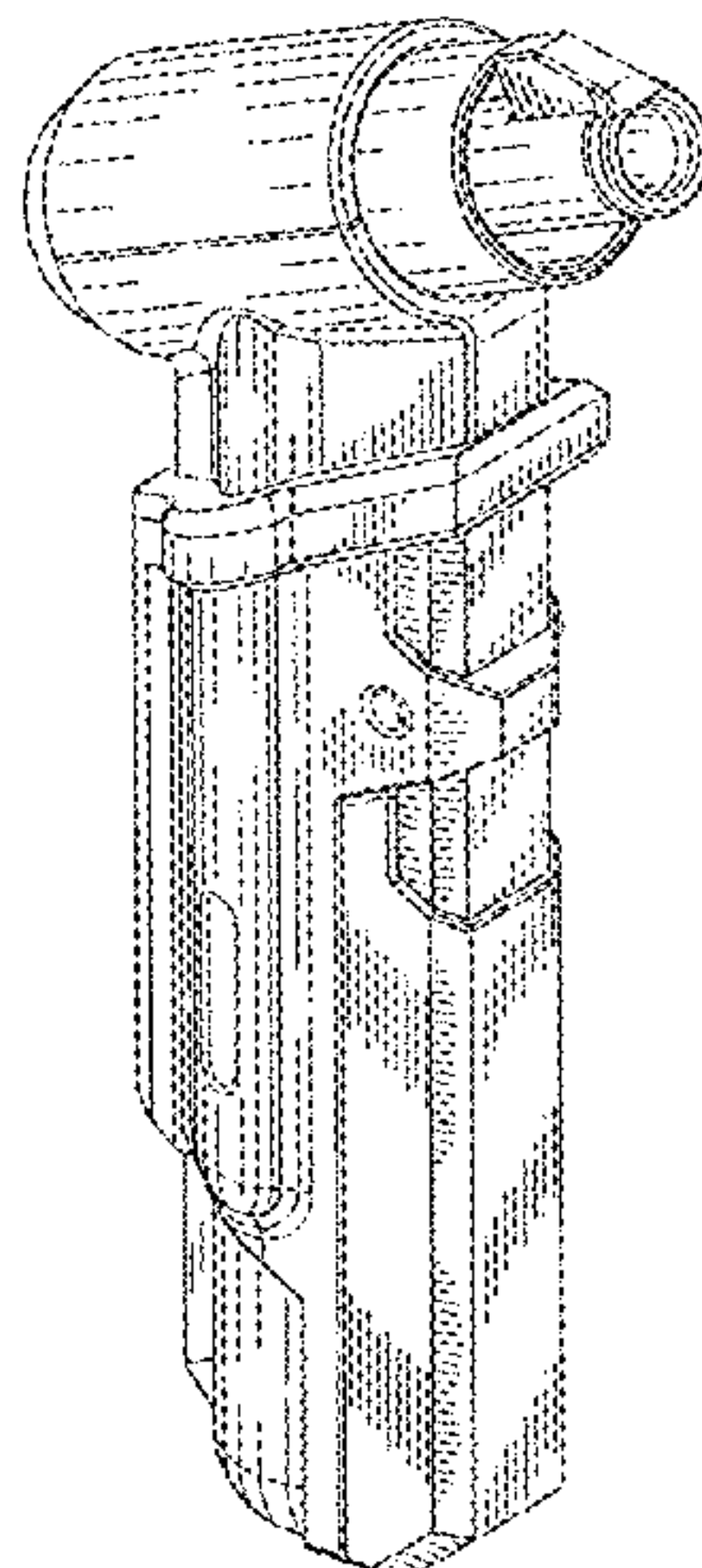
(57) **CLAIM**

We claim the ornamental design for an air-assisted torch, as
 shown and described.

DESCRIPTION

FIG. 1 is a top perspective view of an air-assisted torch,
 showing my new design.
 FIG. 2 is a bottom perspective view thereof;
 FIG. 3 is a left side elevational view thereof;
 FIG. 4 is a right side elevational view thereof;
 FIG. 5 is a front side elevational view thereof;
 FIG. 6 is a back side elevational view thereof;
 FIG. 7 is a top plan view thereof; and,
 FIG. 8 is bottom plan view thereof.
 The broken lines shown in the drawings represent portions
 of the article and form no part of the claimed design.

1 Claim, 4 Drawing Sheets



(56)

References Cited

U.S. PATENT DOCUMENTS

6,196,833 B1 * 3/2001 Ho F23D 14/38
 431/153
 D440,847 S * 4/2001 Izumisawa D8/61
 D444,912 S * 7/2001 Xie D27/157
 D456,428 S * 4/2002 Aronson, II D15/144
 D459,540 S 6/2002 Chen
 D463,065 S 9/2002 Lee
 D464,463 S 10/2002 Smith
 D465,978 S * 11/2002 Miyanaga D8/30
 D468,176 S * 1/2003 Morgan D8/61
 D468,482 S 1/2003 Lin
 D477,507 S * 7/2003 Lin D8/30
 6,659,763 B2 12/2003 Fisher
 6,727,444 B1 * 4/2004 Lin H01H 9/06
 200/61.86
 D489,235 S * 5/2004 Hewett D8/30
 D492,561 S * 7/2004 Chen D8/61
 D501,273 S 1/2005 Kwok
 D509,622 S 9/2005 Smith
 7,527,496 B2 * 5/2009 Lin F23D 14/465
 431/153
 7,566,219 B2 * 7/2009 Lin F23D 14/28
 431/153
 7,614,874 B2 11/2009 Mochizuki et al.
 7,682,148 B2 3/2010 Mochizuki et al.
 7,699,601 B2 * 4/2010 Aronson, II F23D 14/28
 431/153
 7,708,554 B2 5/2010 Tsai
 7,748,977 B2 7/2010 Mochizuki et al.
 8,449,291 B2 5/2013 Tsai
 9,822,971 B2 * 11/2017 Lee F23D 14/28
 2003/0203331 A1 * 10/2003 Hsu F23D 14/40
 431/153
 2006/0216664 A1 * 9/2006 Lin F23Q 2/164
 431/153

2008/0044780 A1 * 2/2008 Berkovits F23D 14/28
 431/153
 2009/0098494 A1 * 4/2009 Aronson, II F23D 14/28
 431/153
 2010/0261129 A1 * 10/2010 Lin F23D 14/28
 431/344
 2012/0244480 A1 * 9/2012 Tsai F23D 14/28
 431/153
 2016/0018108 A1 1/2016 Rahbar
 2016/0258620 A1 * 9/2016 Yang F23D 14/38

OTHER PUBLICATIONS

“Angled Turbo Jet Flame Windproof Lighter.” Found online Mar. 29, 2018 at www.amazon.co.uk. Page dated Mar. 20, 2013. Retrieved from URL: <https://www.amazon.co.uk/Angled-Turbo-Windproof-Lighter-Colour/dp/B00BXJPKBQ> (Year: 2013).*

“BS-260 1300°C Adjustable Butane Jet Torch Lighter with Stand.” Found online Mar. 29, 2018 at www.dx.com. Page dated Jul. 13, 2015. Retrieved from URL: <http://www.dx.com/p/bs-260-1300-c-adjustable-butane-jet-torch-lighter-w-stand-silver-grey-149381#.Wr0qpjN9OQ> (Year: 2015).*

“YouTube—The Spitfire Butane Refillable Torch.” Found online Mar. 29, 2018 at www.youtube.com. Page dated Aug. 22, 2014. Retrieved from URL: <https://www.youtube.com/watch?v=i3nalbHO60g> (Year: 2014).*

“Tactical” from Scorch Torch Premium Lighters, product advertisement published online prior to Jun. 23, 2016, downloaded from www.scorchtorch.com/tactical, (1 page).

“Scripto® Folding Utility Lighter”, from Calico Brands, Inc., product advertisement published online prior to Jun. 23, 2016, downloaded from www.calicobrand.com/foldinp-utility-lighter, (2 pages).

“Luminere Candle Lighter” from BIC Corp., product advertisement published online prior to Jun. 23, 2016, downloaded from www.amazon.com/bic-luminere-candle-lighter-position, (1 page).

* cited by examiner

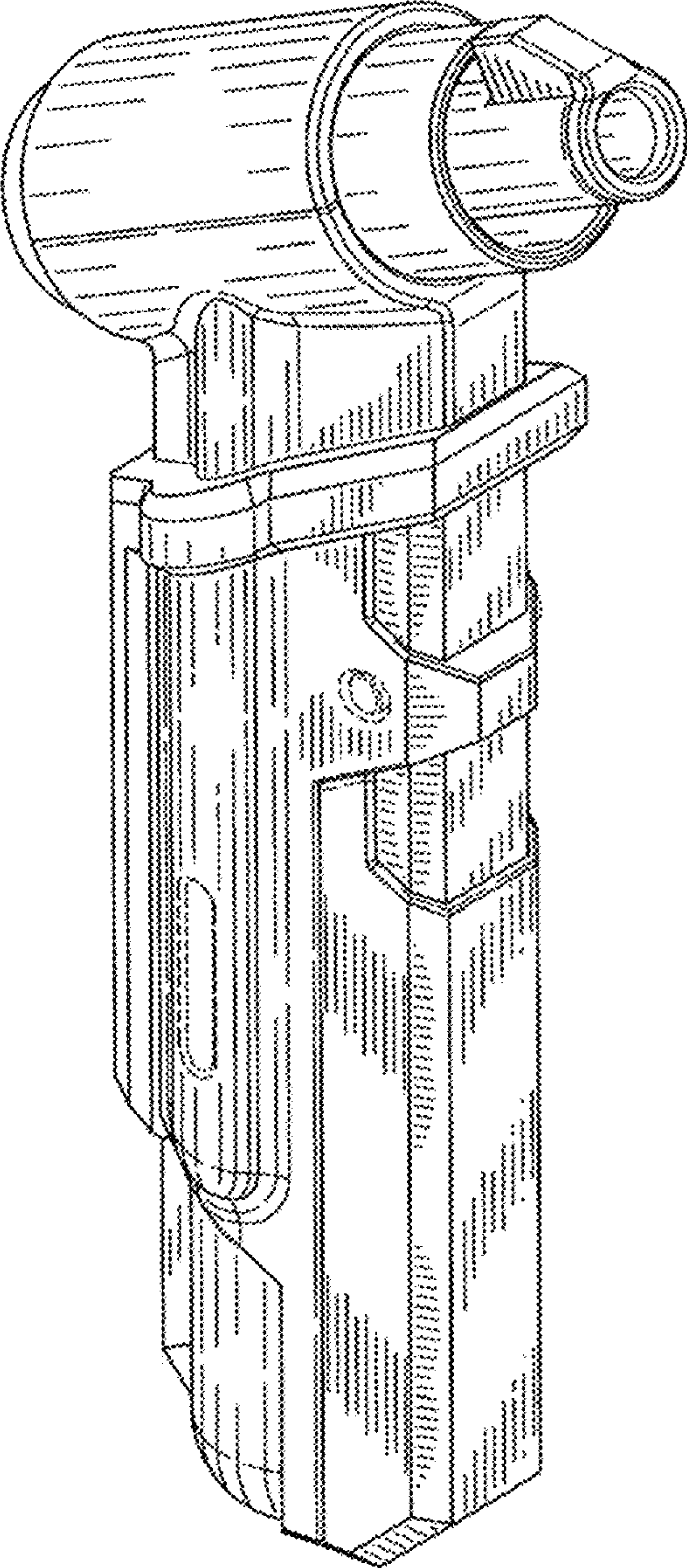


FIG. 1

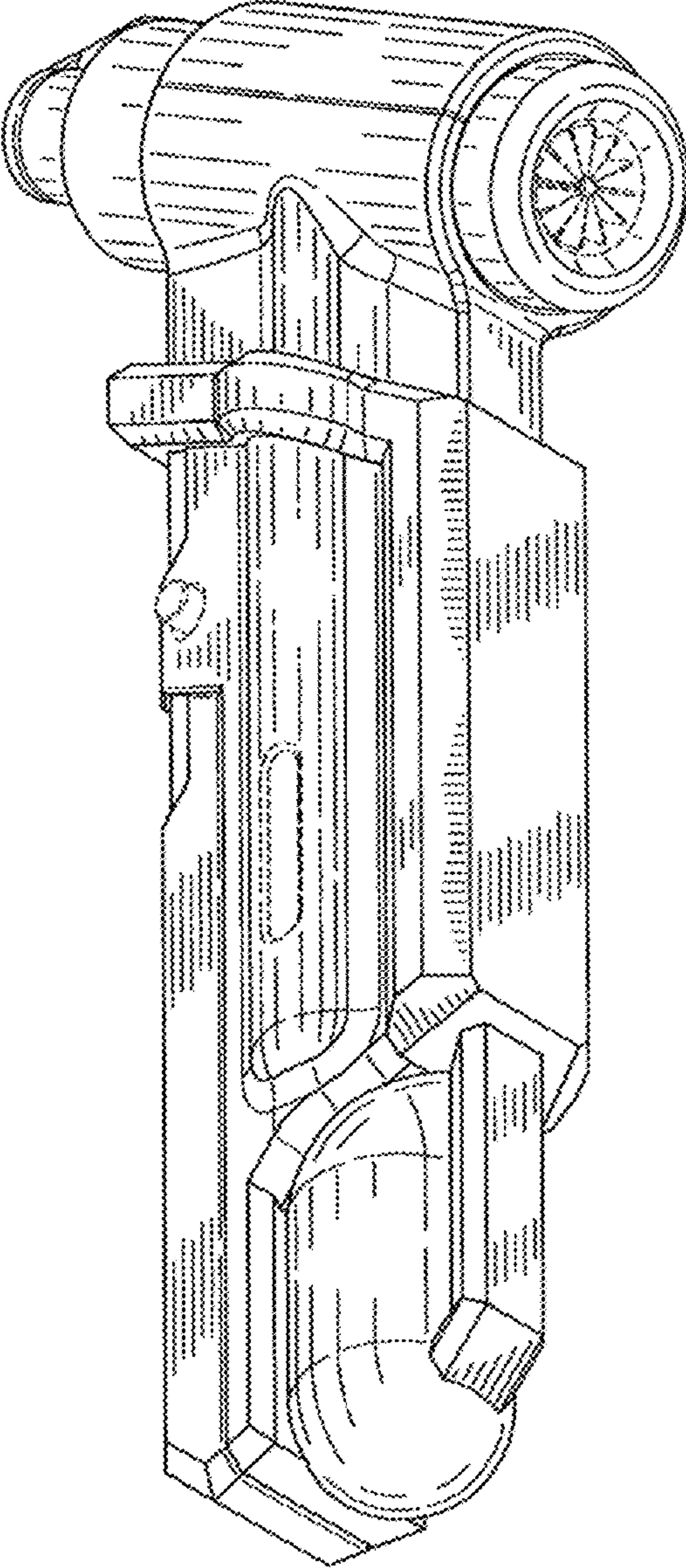


FIG.2

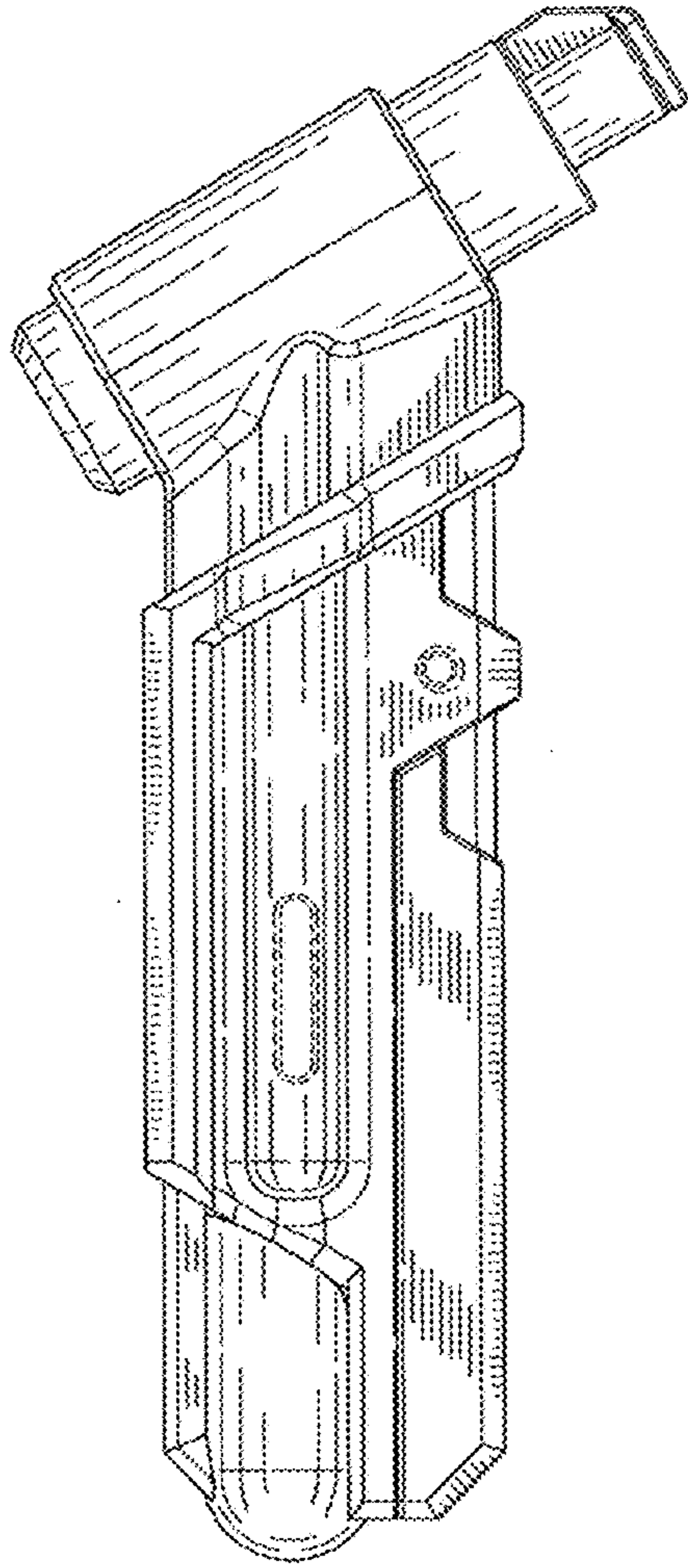


FIG. 3

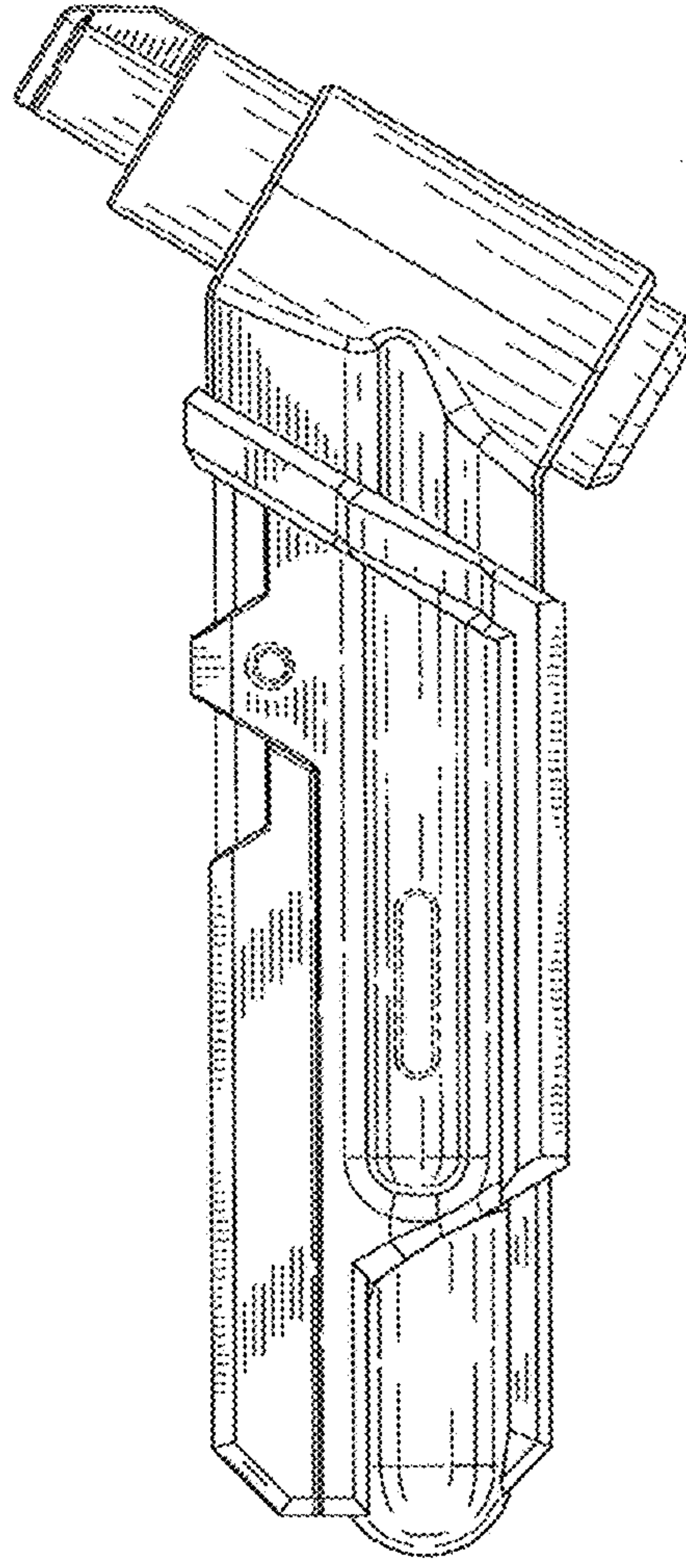


FIG. 4

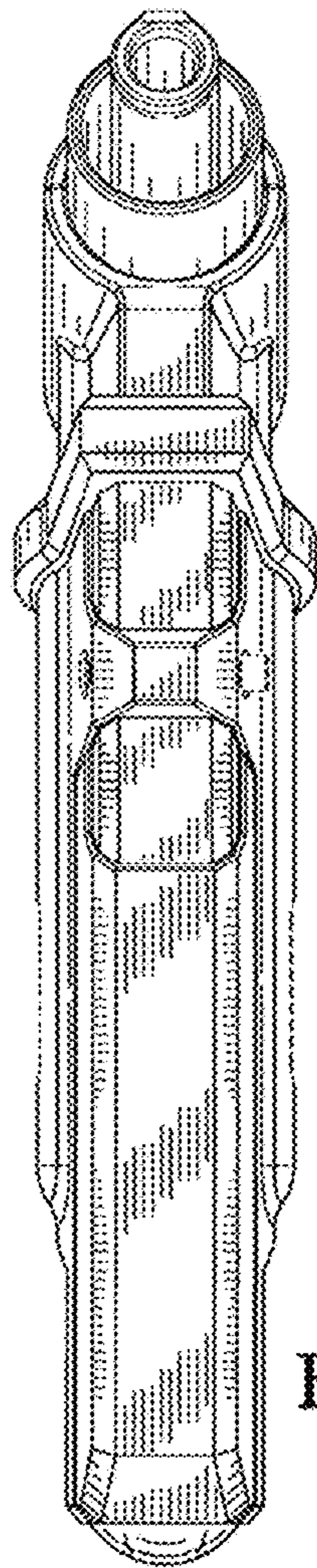


FIG. 5

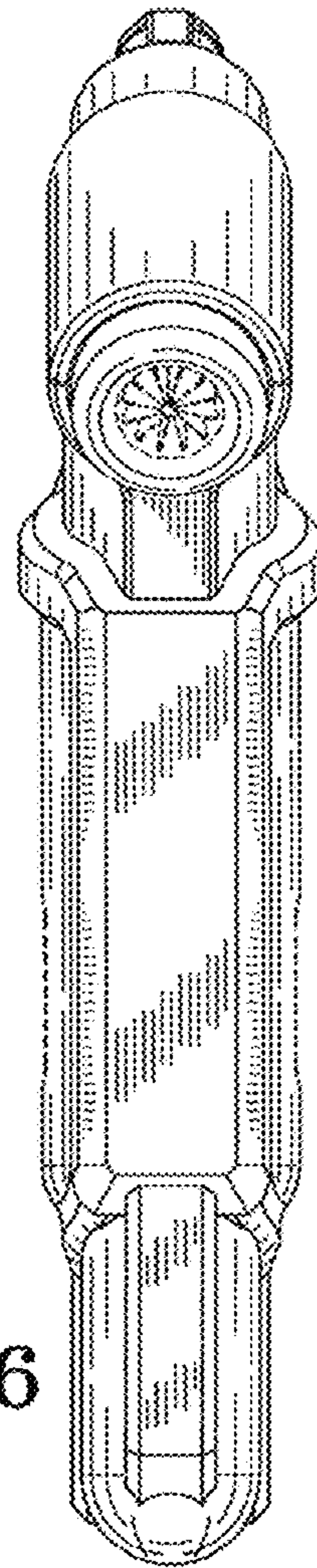


FIG. 6

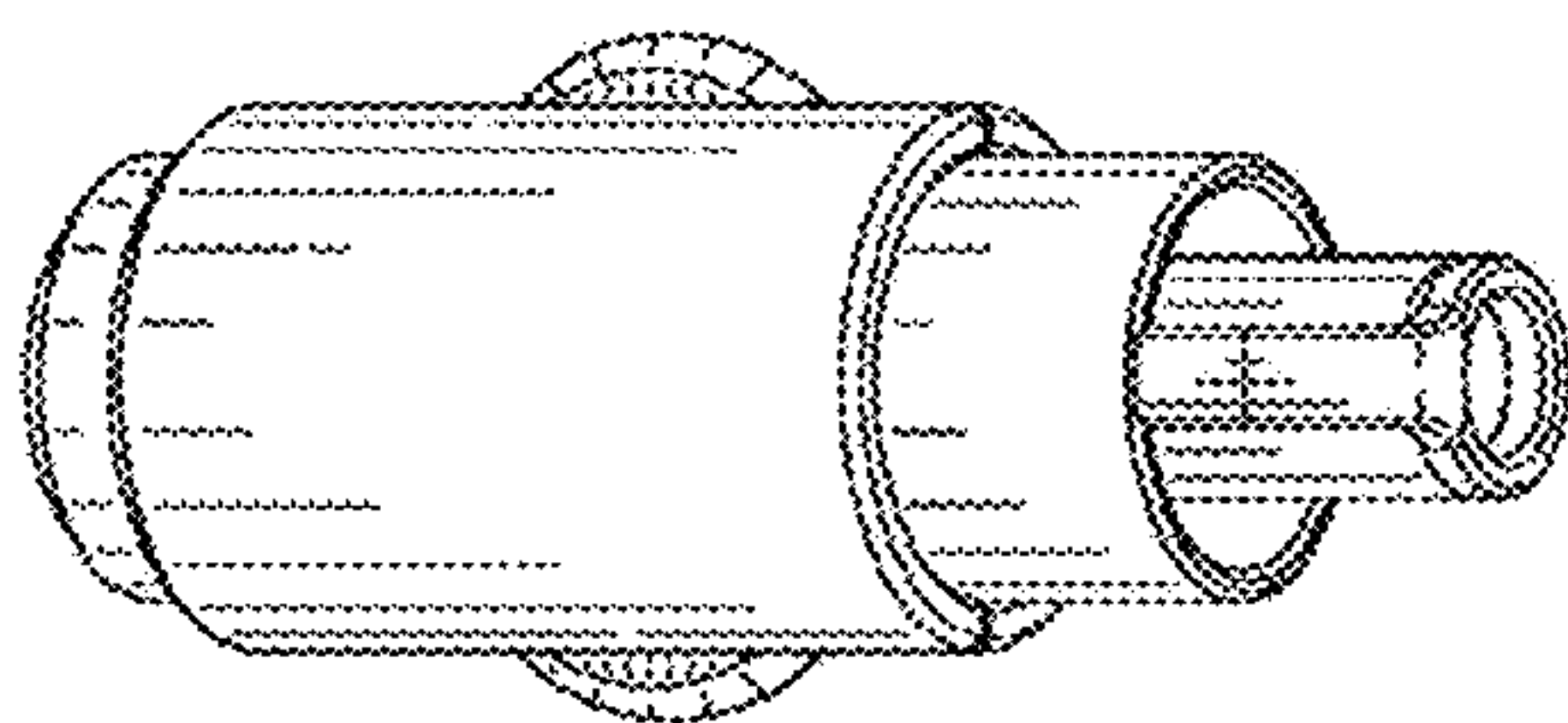


FIG. 7

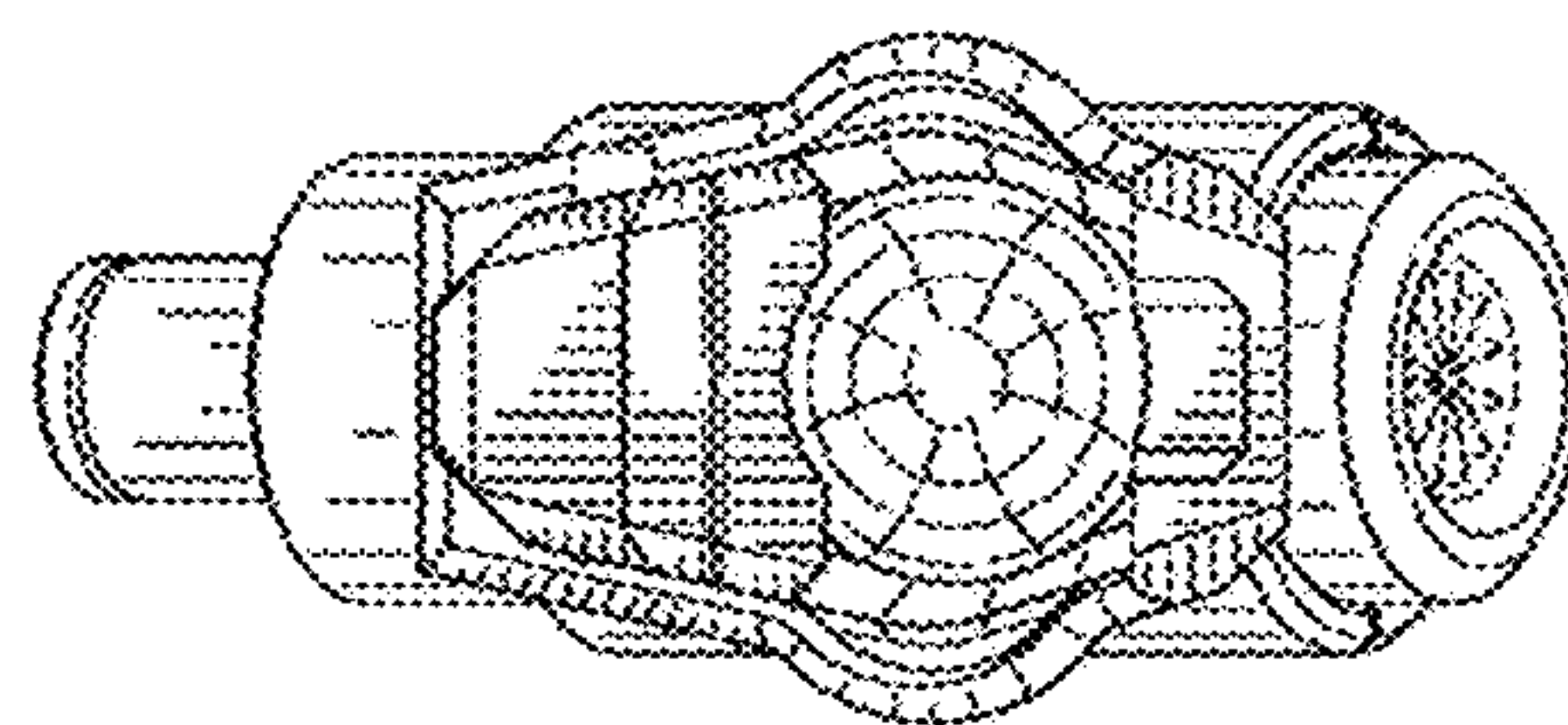


FIG. 8