



US00D820330S

(12) **United States Design Patent**
Di Monte, Sr.

(10) **Patent No.:** **US D820,330 S**
(45) **Date of Patent:** **** Jun. 12, 2018**

(54) **WATER TIGHT TOOL HOLDER WITH HANGER**

(71) Applicant: **Michael Anthony Di Monte, Sr.**,
Cream Ridge, NJ (US)

(72) Inventor: **Michael Anthony Di Monte, Sr.**,
Cream Ridge, NJ (US)

(**) Term: **15 Years**

(21) Appl. No.: **29/581,856**

(22) Filed: **Oct. 22, 2016**

Related U.S. Application Data

(63) Continuation-in-part of application No. 14/995,209,
filed on Mar. 29, 2016, now abandoned.

(51) **LOC (11) Cl.** **15-09**

(52) **U.S. Cl.**
USPC **D15/140**

(58) **Field of Classification Search**
USPC D3/295, 905; D9/415; D15/138, 140
CPC B25H 3/003; B65D 25/22; B65D 25/28;
B65D 71/00; B65D 2525/286
See application file for complete search history.

(56) **References Cited**

U.S. PATENT DOCUMENTS

D351,546 S *	10/1994	Li	D3/282
D370,781 S *	6/1996	Vasudeva	D3/284
D393,543 S *	4/1998	Wilkening	D3/313
D511,625 S *	11/2005	Greene	D3/295
D515,811 S *	2/2006	Liu	D3/295
D531,798 S *	11/2006	Ringo	D3/273

D599,549 S *	9/2009	Moss	D3/282
8,408,388 B1 *	4/2013	Chen	B65D 25/103 206/376
D690,934 S *	10/2013	Robinson	D3/294
D692,660 S *	11/2013	Bloch	D3/282
D732,291 S *	6/2015	Hsieh	D3/284
9,180,590 B1 *	11/2015	Ou	B25H 3/003
D796,203 S *	9/2017	Cavazos, III	D3/313
2006/0249522 A1 *	11/2006	Ringo	B65D 25/22 220/784
2016/0354921 A1 *	12/2016	Ou	B25H 3/003

* cited by examiner

Primary Examiner — Patricia A Palasik

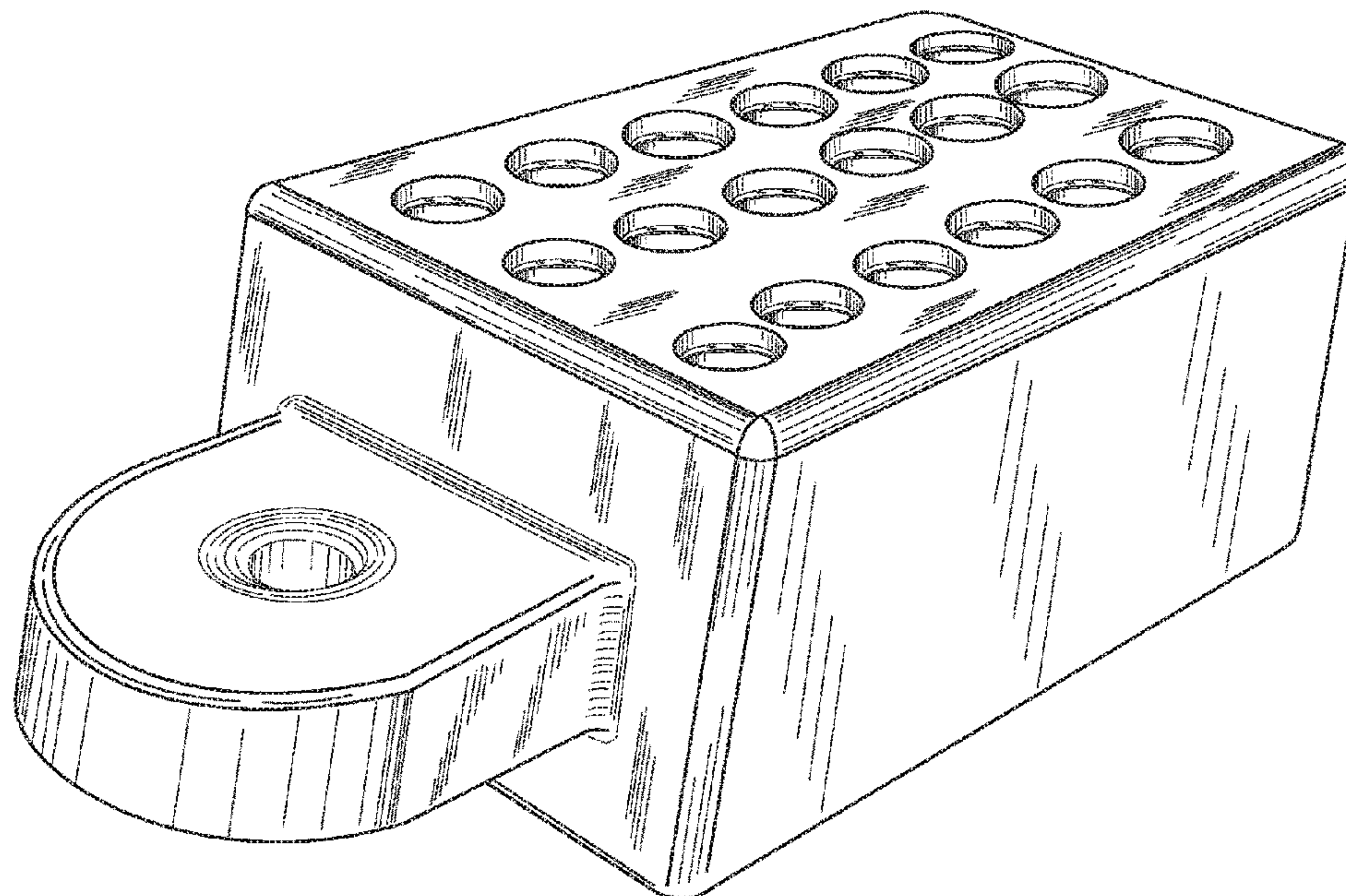
(57) **CLAIM**

The ornamental design for a water tight tool holder with hanger, as shown and described.

DESCRIPTION

FIG. 1 is a perspective view a water tight tool holder with hanger showing new design.
 FIG. 2 is a front view of the water tight tool holder with hanger from FIG. 1.
 FIG. 3 is a back view of the water tight tool holder with hanger from FIG. 1.
 FIG. 4 is a top view of the water tight tool holder with hanger from FIG. 1.
 FIG. 5 is a bottom view of the water tight tool holder with hanger from FIG. 1.
 FIG. 6 is a right side view of the water tight tool holder with hanger from FIG. 1; and,
 FIG. 7 is a left side view of the water tight tool holder with hanger from FIG. 1.

1 Claim, 6 Drawing Sheets



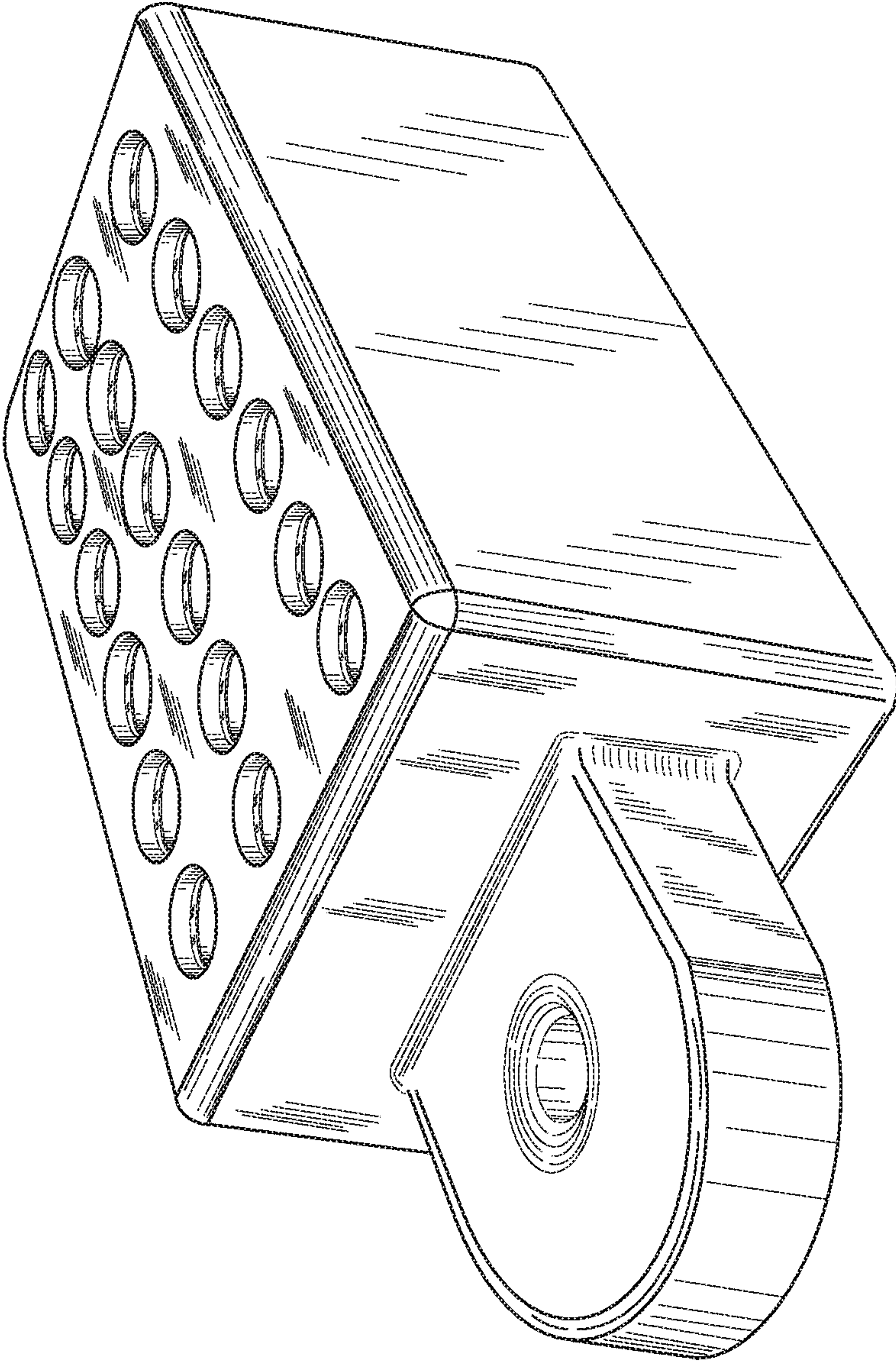


FIG. 1

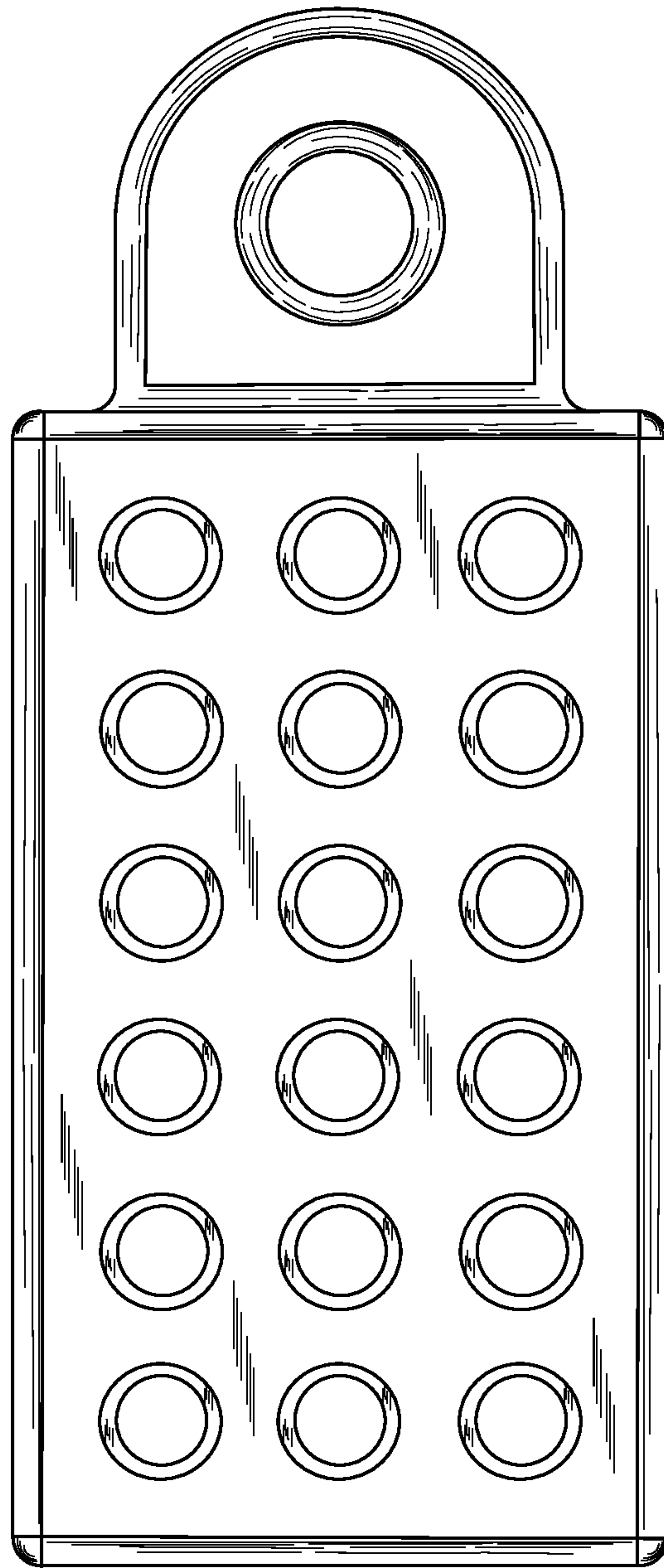


FIG. 2

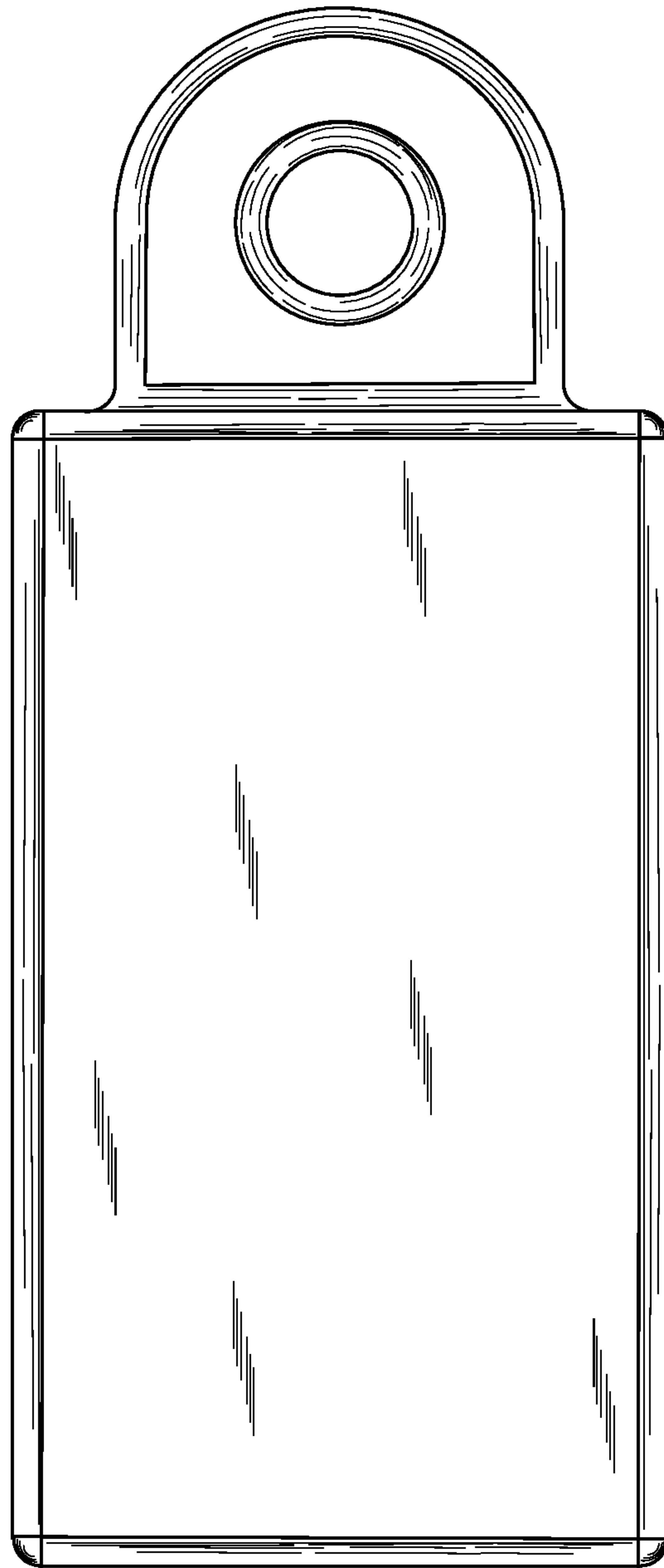


FIG. 3

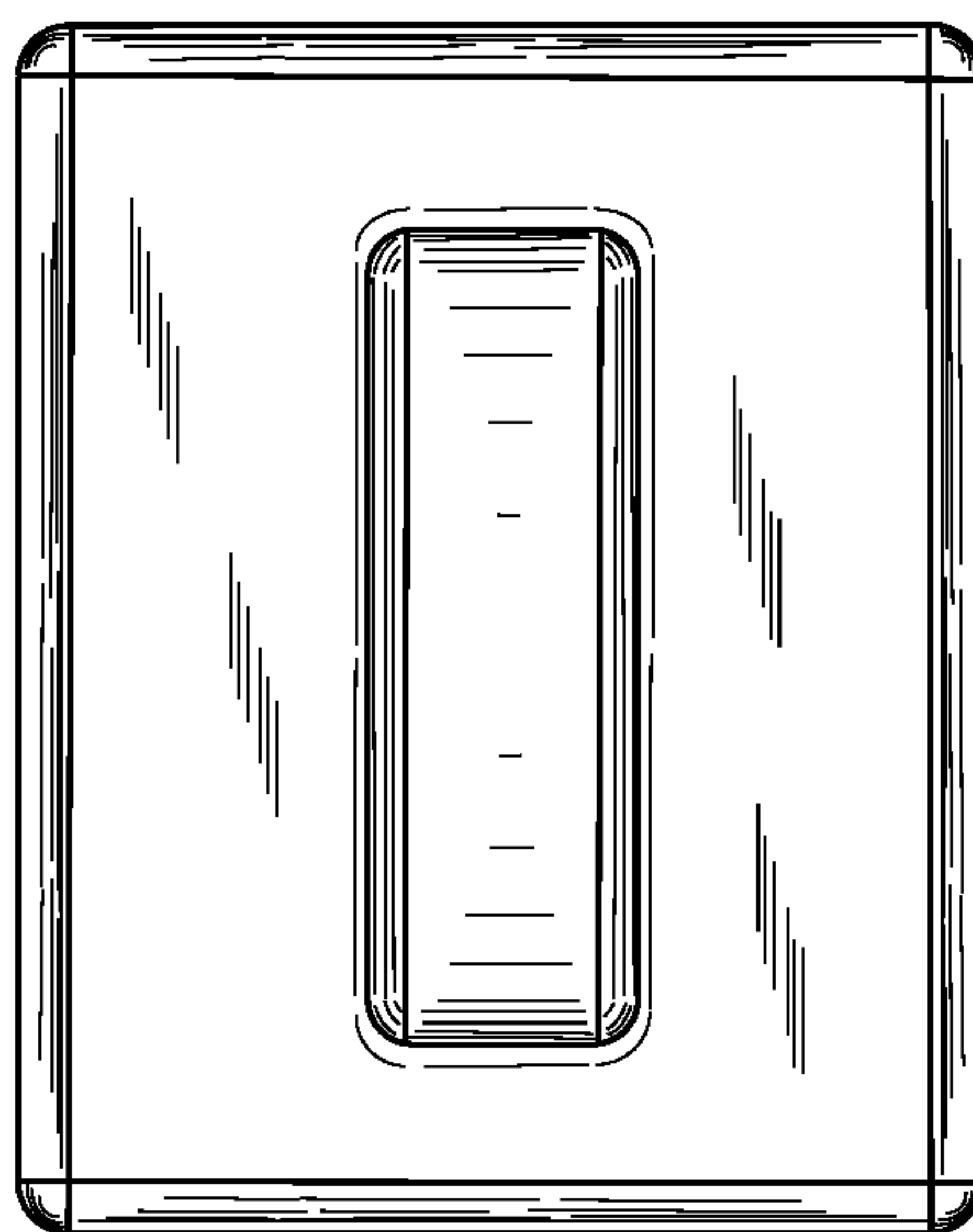


FIG. 4

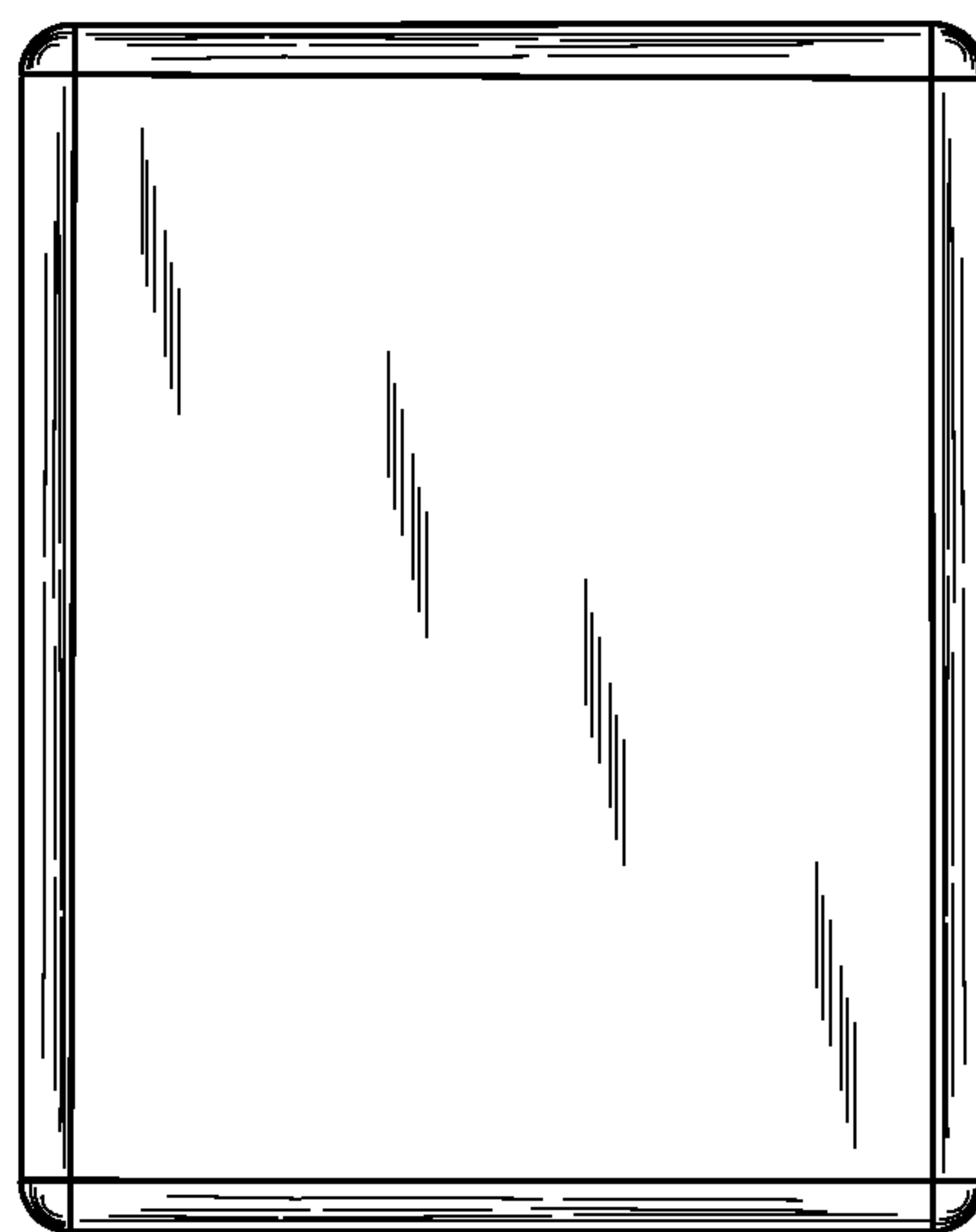


FIG. 5

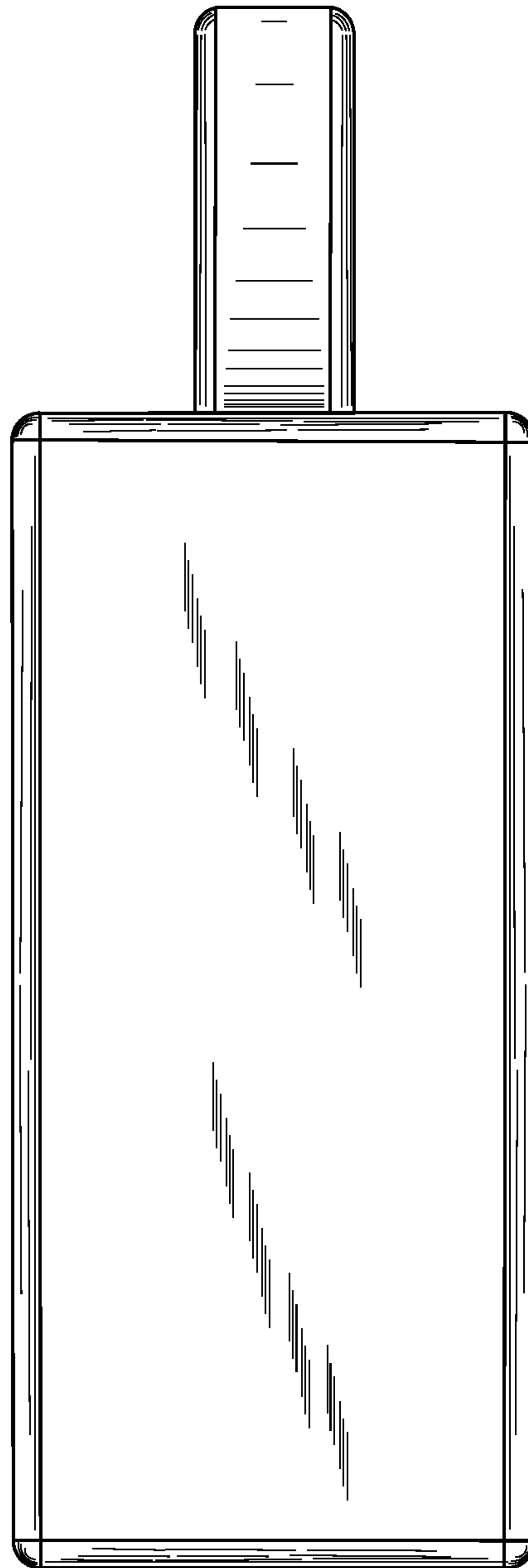


FIG. 6

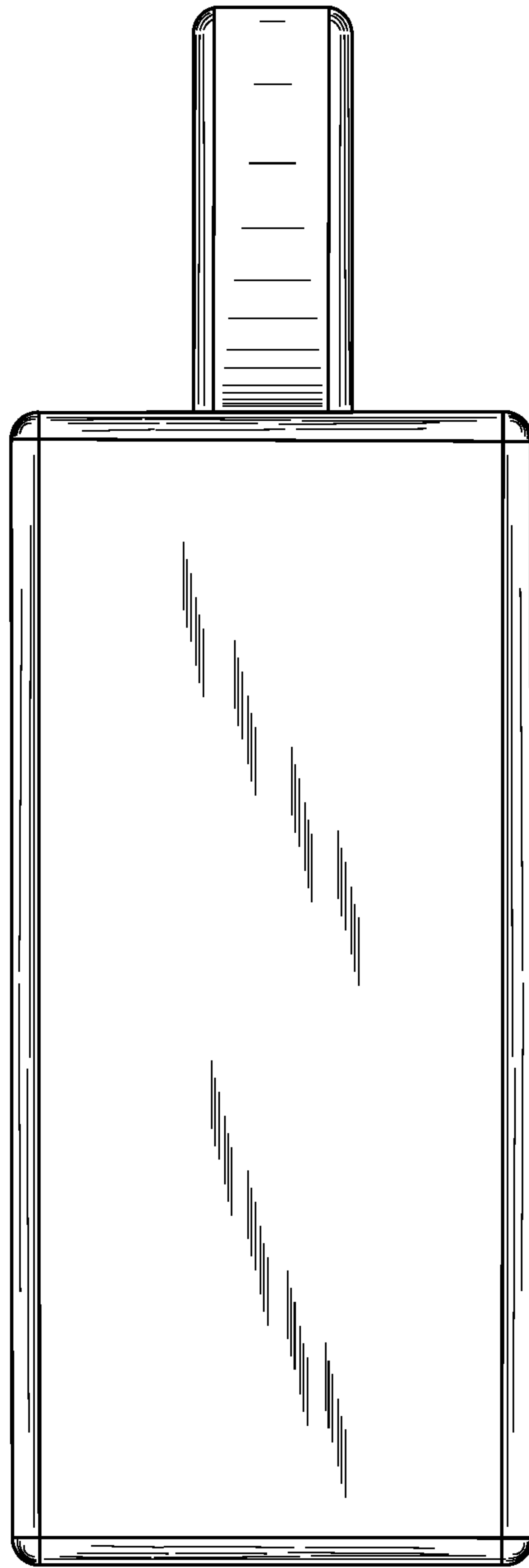


FIG. 7