



US00D820323S

(12) **United States Design Patent** (10) **Patent No.:** **US D820,323 S**  
**Morris et al.** (45) **Date of Patent:** **\*\* Jun. 12, 2018**

(54) **FUEL DISPENSER**

(71) Applicant: **Wayne Fueling Systems LLC**, Austin, TX (US)  
(72) Inventors: **John Joseph Morris**, Austin, TX (US); **Scott R. Negley, III**, Austin, TX (US); **Annika Birkler**, Malmo (SE); **Richard Carlsson**, Malmo (SE); **Randal S. Kretzler**, Austin, TX (US); **Jayson Simeon**, Round Rock, TX (US); **Nathan Careless**, Cedar Park, TX (US); **John Coleman Horton, IV**, Austin, TX (US); **Lucas Wade**, Austin, TX (US); **Casey Branson Garven**, Austin, TX (US)

(73) Assignee: **Wayne Fueling Systems**, Austin, TX (US)

(\*\*) Term: **15 Years**

(21) Appl. No.: **29/599,254**

(22) Filed: **Mar. 31, 2017**

(51) **LOC (11) Cl.** ..... **15-02**

(52) **U.S. Cl.**  
USPC ..... **D15/9.2**

(58) **Field of Classification Search**  
USPC ..... D15/7-9.3; D23/231, 232, 225; 417/60, 417/235, 265, 321, 355, 358, 363, 359, 417/410.1, 415-416, 405, 900; 60/408, 60/412; 184/26-37; 415/140-147; 123/495, 509; 222/25; 141/94; D14/336, 341, 374  
CPC ... B67D 5/22; B67D 5/12; B67D 5/08; B67D 5/06; B67D 7/08; B67D 7/00; G06F 7/08; D67D 7/12; D67D 7/04; A01K 15/023

See application file for complete search history.

(56) **References Cited**

U.S. PATENT DOCUMENTS

D270,061 S \* 8/1983 Akeret ..... 40/513  
D287,498 S \* 12/1986 Monigle ..... D15/9.1  
D301,147 S \* 5/1989 Bass ..... D15/9.1  
D342,525 S \* 12/1993 Bloemen ..... D15/9.1

(Continued)

*Primary Examiner* — Ralf Seifert

(74) *Attorney, Agent, or Firm* — Mintz Levin Cohn Ferris Glovsky and Popeo, P.C.

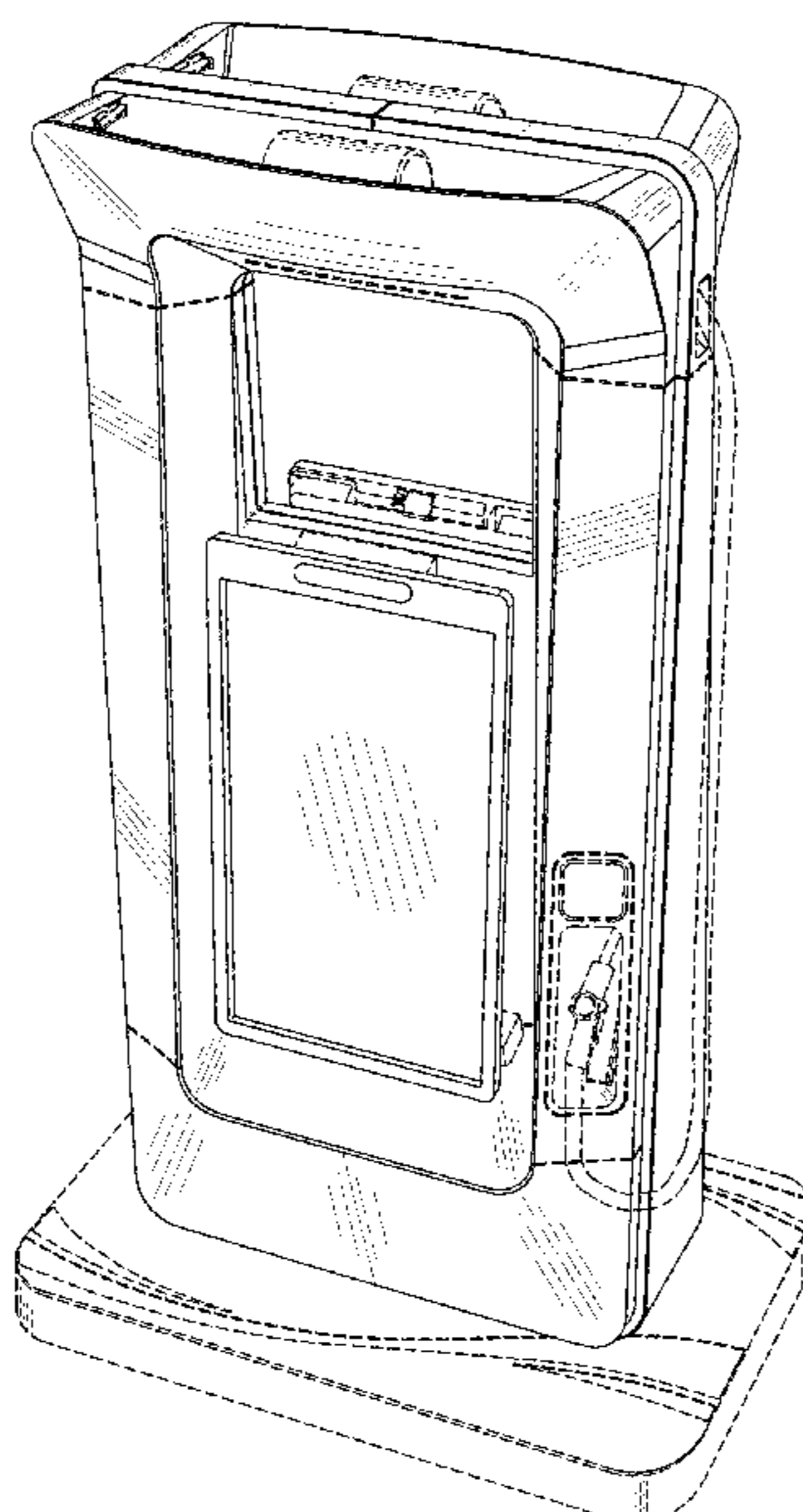
(57) **CLAIM**

The ornamental design for a fuel dispenser, as shown and described.

**DESCRIPTION**

FIG. 1 is a front view of a fuel dispenser having an open rectangular frame and a screen disposed therein; FIG. 2 is a back view of the fuel dispenser of FIG. 1; FIG. 3 is a left side view of the fuel dispenser of FIG. 1; FIG. 4 is a right side view of the fuel dispenser of FIG. 1; FIG. 5 is a top view of the fuel dispenser of FIG. 1; FIG. 6 is a bottom view of the fuel dispenser of FIG. 1; FIG. 7 is a front perspective view of the fuel dispenser of FIG. 1; FIG. 8 is a front view of a fuel dispenser showing the second embodiment of our new design; FIG. 9 is a back view of the fuel dispenser of FIG. 8; FIG. 10 is a left side view of the fuel dispenser of FIG. 8; FIG. 11 is a right side view of the fuel dispenser of FIG. 8; FIG. 12 is a top view of the fuel dispenser of FIG. 8; FIG. 13 is a bottom view of the fuel dispenser of FIG. 8; and, FIG. 14 is a front perspective view of the fuel dispenser of FIG. 8.  
The broken line shown in all of the drawing figures are for illustrative purposes only and form no part of the claimed design.

**1 Claim, 14 Drawing Sheets**



(56)

References Cited

U.S. PATENT DOCUMENTS

5,867,403 A *	2/1999	Sasnett, Jr.	.....	B67D 7/08	7,948,376 B2 *	5/2011	DeLine	.....	B67D 7/08
				137/2					222/74
D413,610 S *	9/1999	McSpadden	.....	D15/9.2	D651,601 S *	1/2012	Ichise	.....	D14/341
D413,902 S *	9/1999	McSpadden	.....	D15/9.2	D672,345 S *	12/2012	Li	.....	D14/341
D414,779 S *	10/1999	McSpadden	.....	D15/9.2	D687,432 S *	8/2013	Duan	.....	D14/341
D415,166 S *	10/1999	McSpadden	.....	D15/9.2	D688,274 S *	8/2013	Schmelzer	.....	D15/9.2
D418,523 S *	1/2000	McSpadden	.....	D15/9.1	D688,275 S *	8/2013	Schmelzer	.....	D15/9.2
D429,739 S *	8/2000	McSpadden	.....	D15/9.2	D690,691 S *	10/2013	Hoshi	.....	D14/336
D494,583 S *	8/2004	Guerrera	.....	D14/336	D691,996 S *	10/2013	Ohshima	.....	D14/341
7,042,712 B2 *	5/2006	Ghosh	.....	G06F 1/1605	D701,850 S *	4/2014	Kim	.....	D14/138 G
				206/320	D718,338 S *	11/2014	Helgesson	.....	D15/9.2
D539,797 S *	4/2007	Chiang	.....	D14/337	D745,510 S *	12/2015	Lee	.....	D14/341
D553,648 S *	10/2007	Laya H.	.....	D15/9.1	D745,511 S *	12/2015	Lee	.....	D14/336
D594,881 S *	6/2009	Deline	.....	D15/9.1	D745,512 S *	12/2015	Lee	.....	D14/336
D599,792 S *	9/2009	Lin	.....	D14/331	D747,717 S *	1/2016	Kim	.....	D14/336
D616,884 S *	6/2010	Kim	.....	D14/374	D750,621 S *	3/2016	Loor Canizares	.....	D14/203.7
D636,770 S *	4/2011	Li	.....	D14/341	D755,783 S *	5/2016	Shi	.....	D14/336
					D763,847 S *	8/2016	Lee	.....	D14/341
					D775,123 S *	12/2016	Guimaraes	.....	D14/336
					D795,249 S *	8/2017	Wall	.....	D14/341
					D801,330 S *	10/2017	Morgan	.....	D14/341

\* cited by examiner

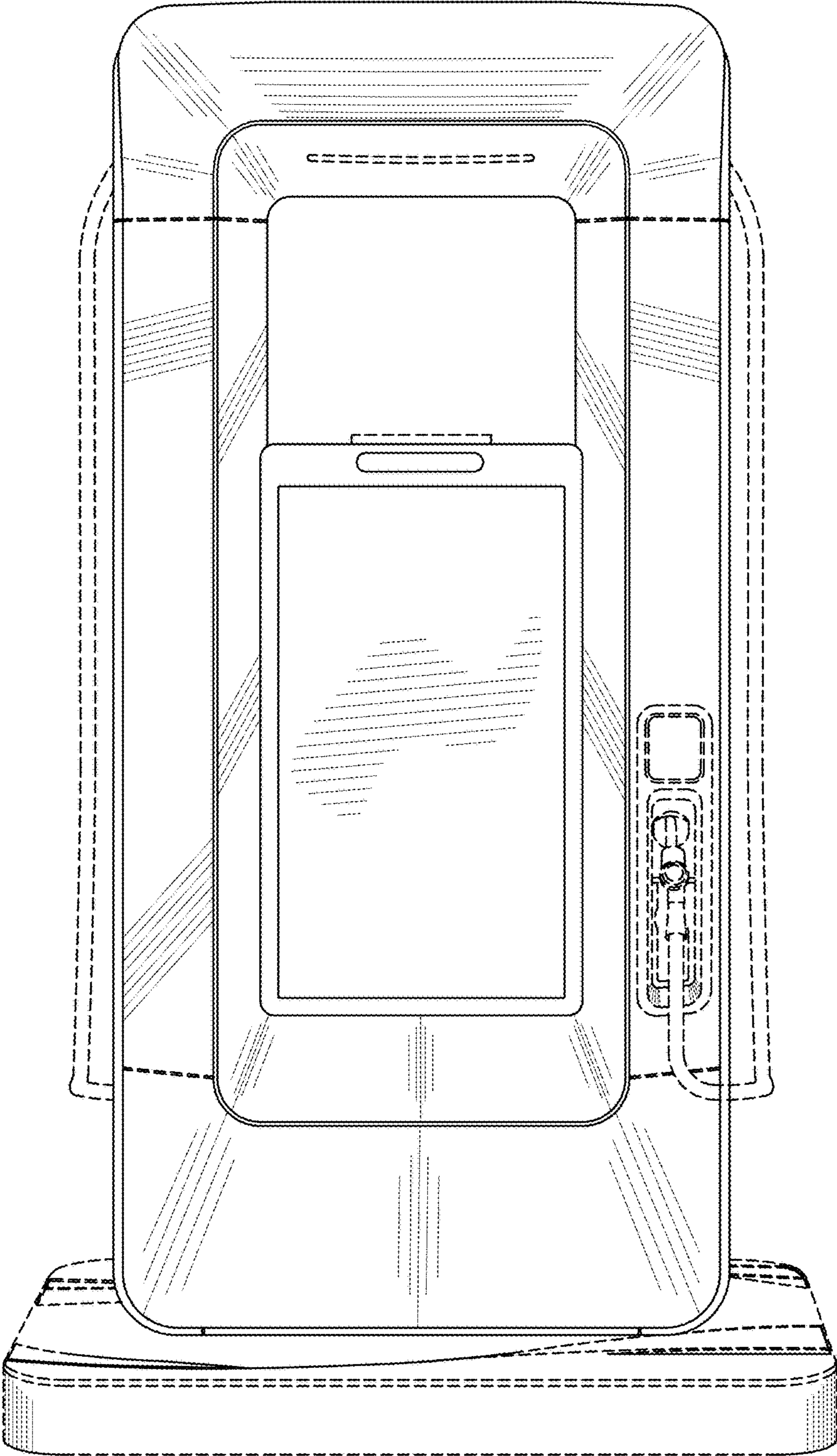


FIG. 1

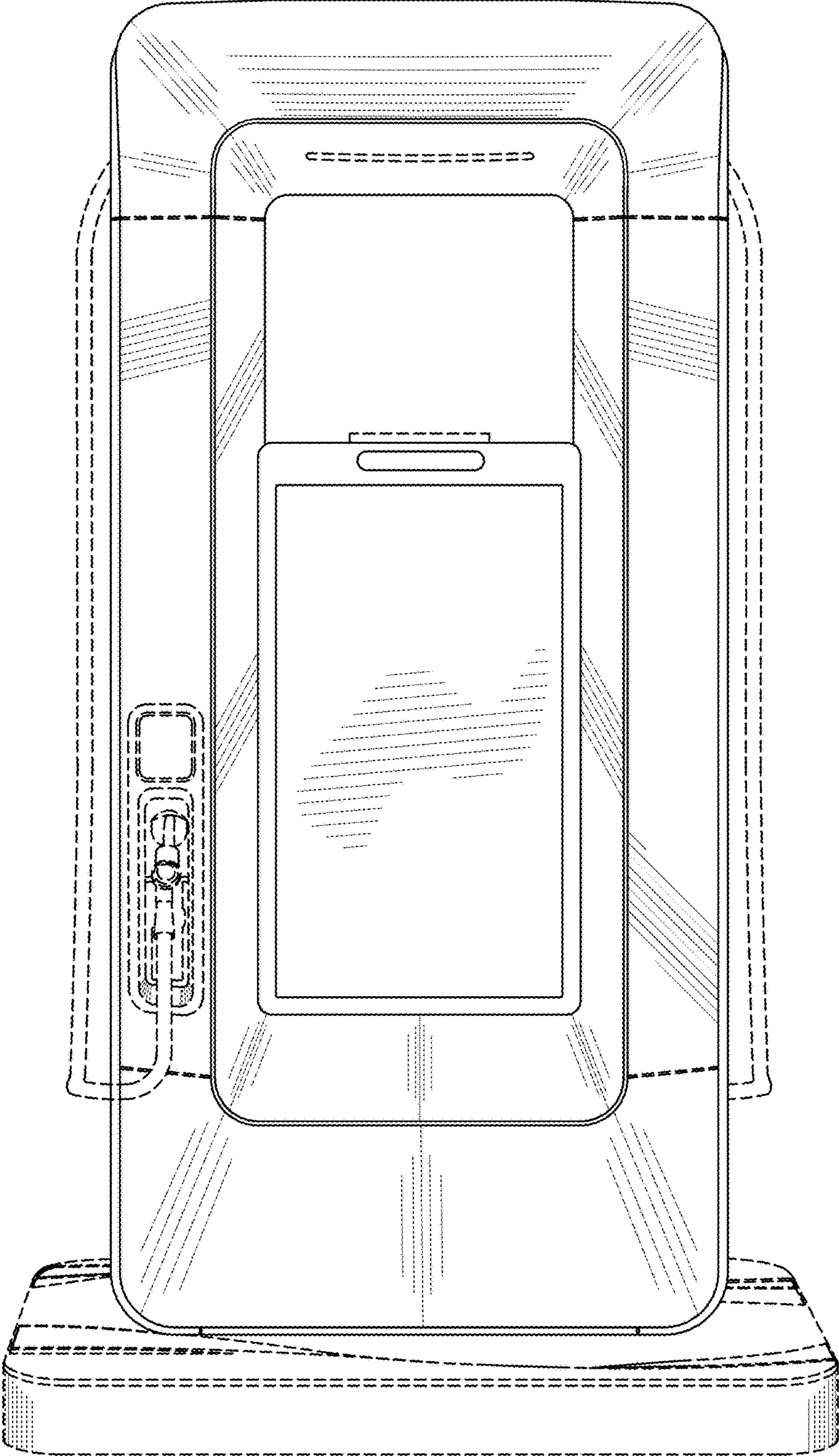


FIG. 2

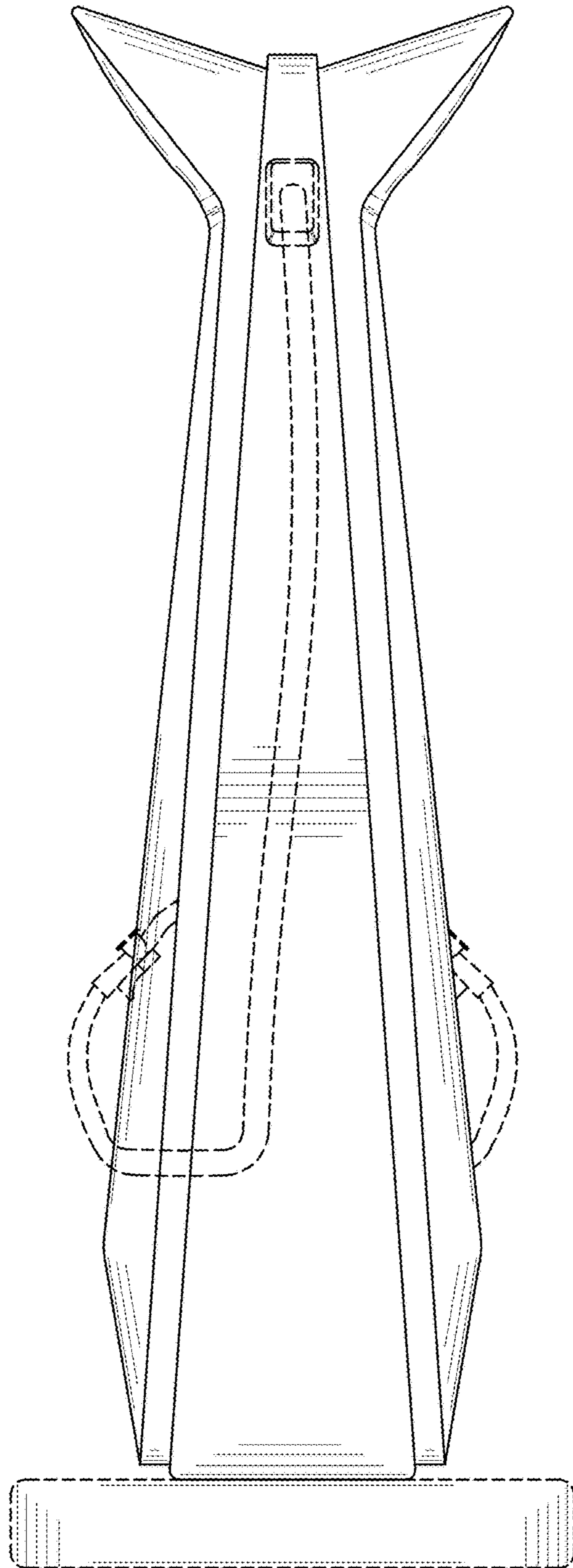


FIG. 3

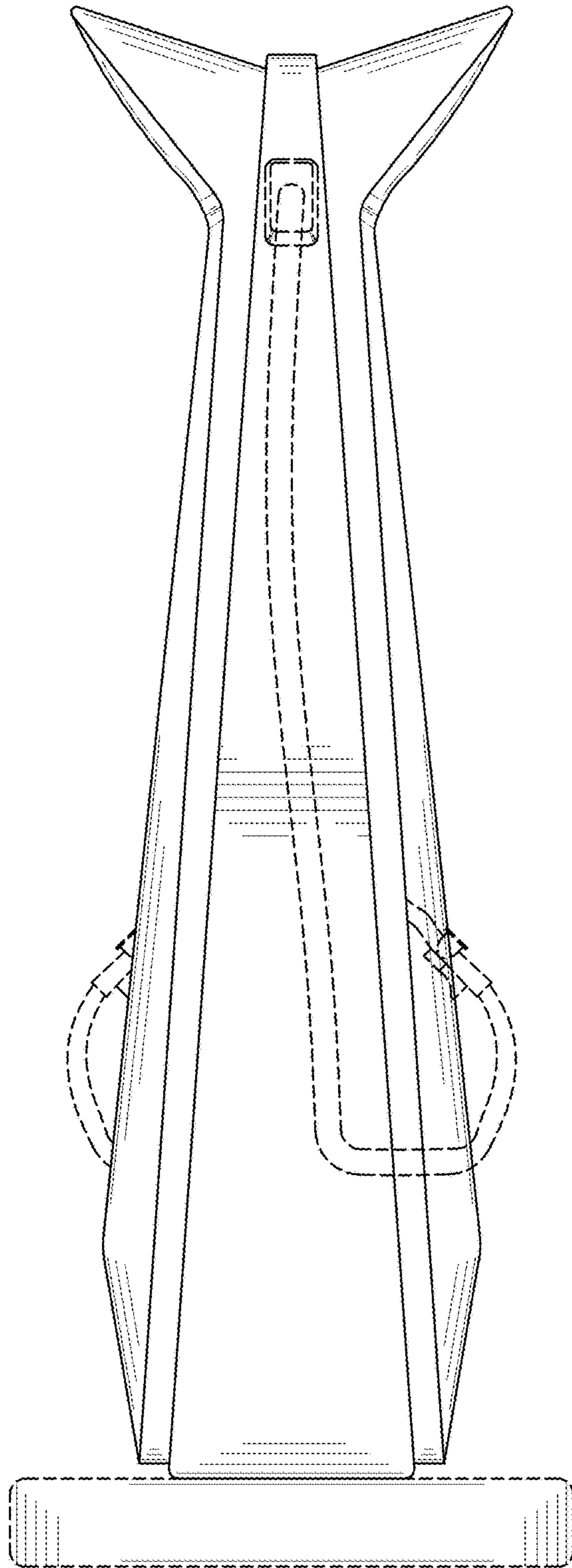


FIG. 4

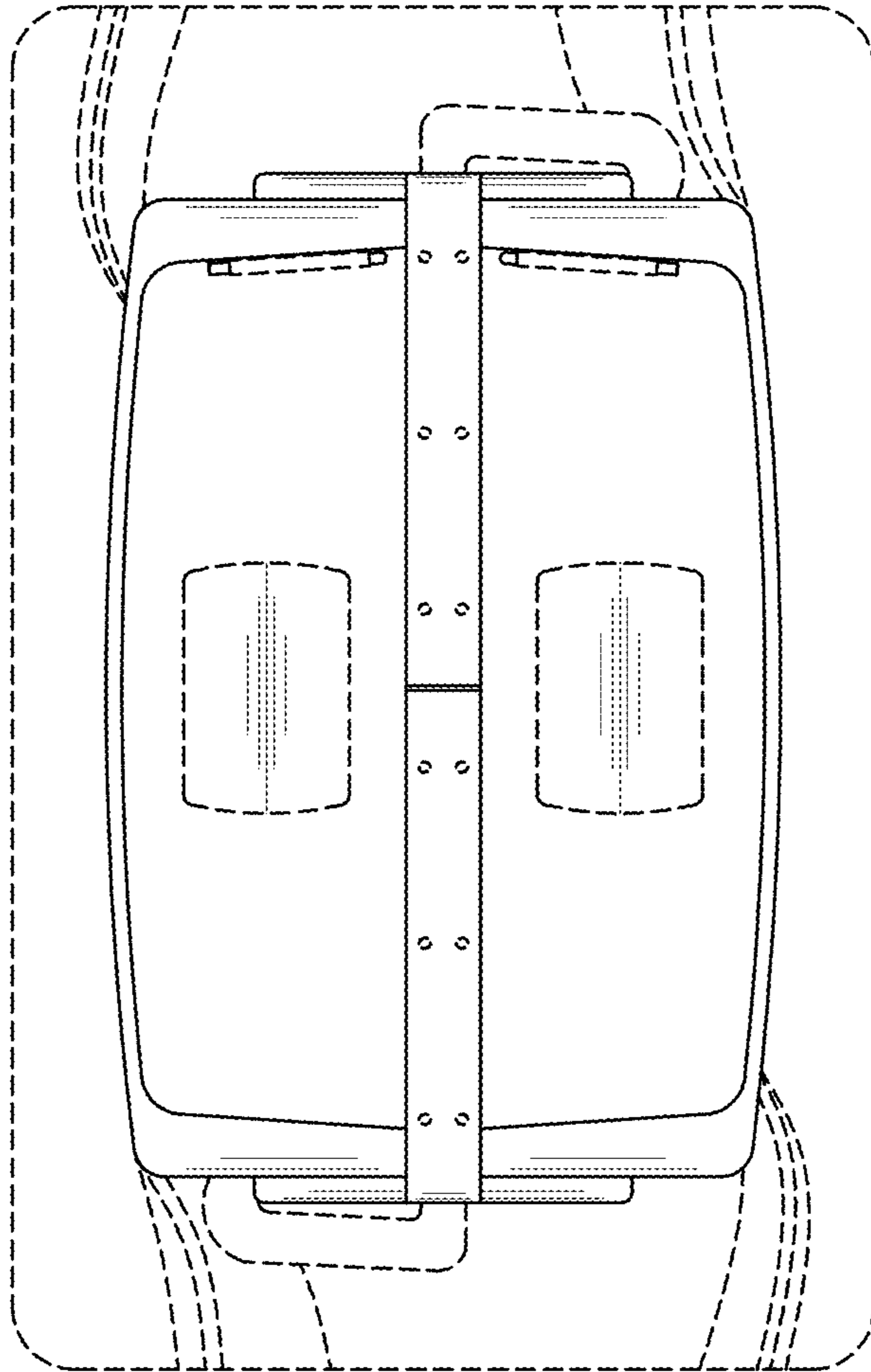


FIG. 5

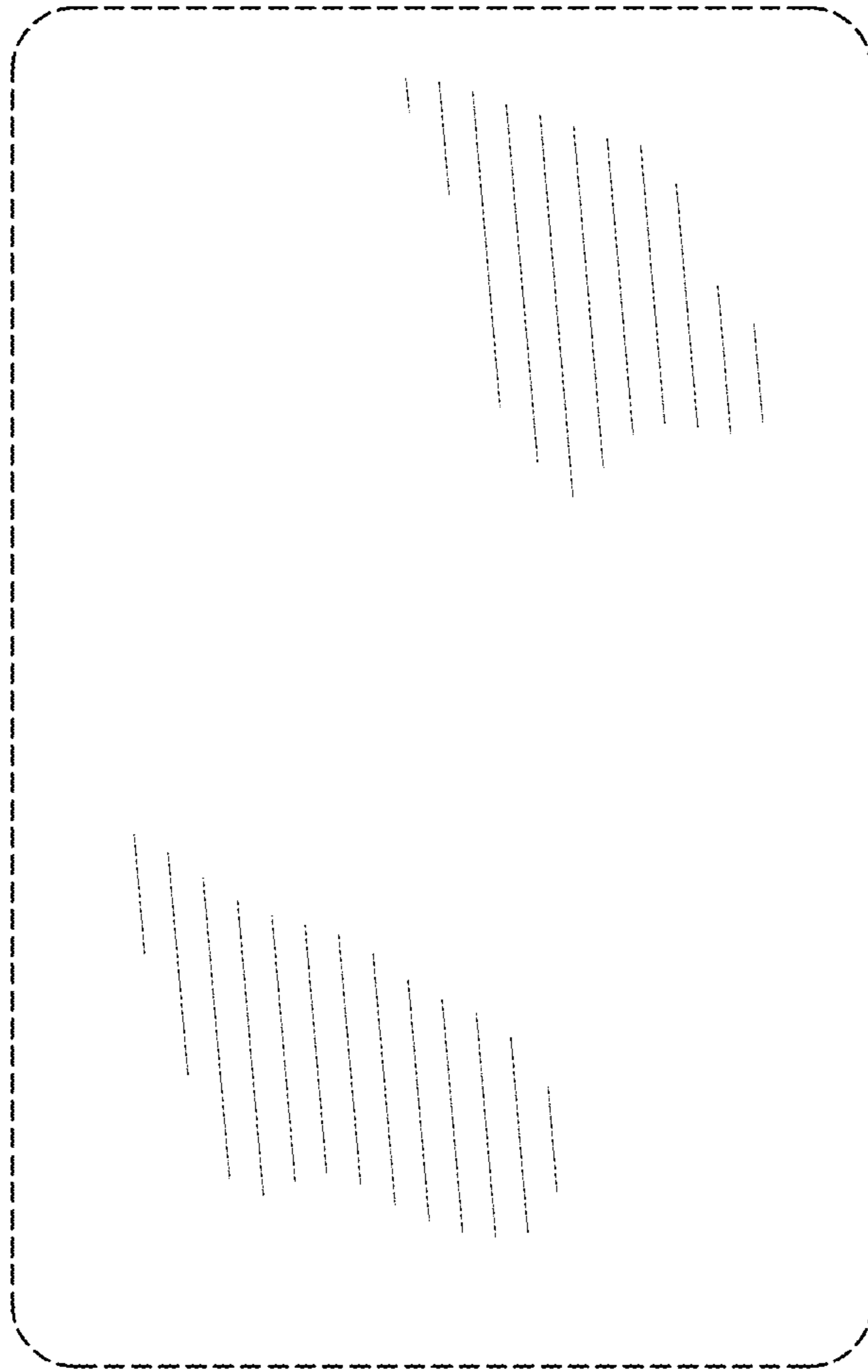


FIG. 6



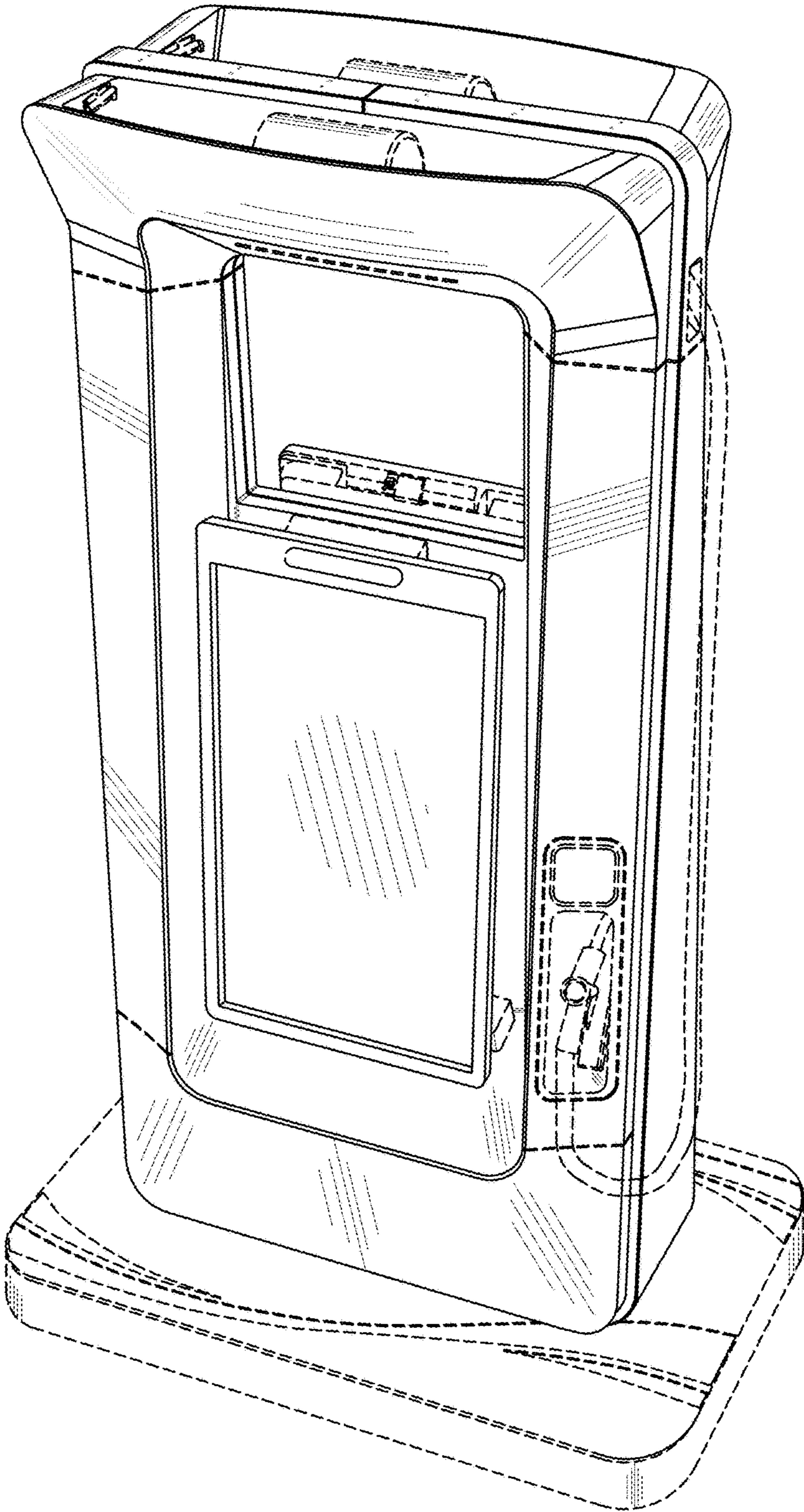


FIG. 7

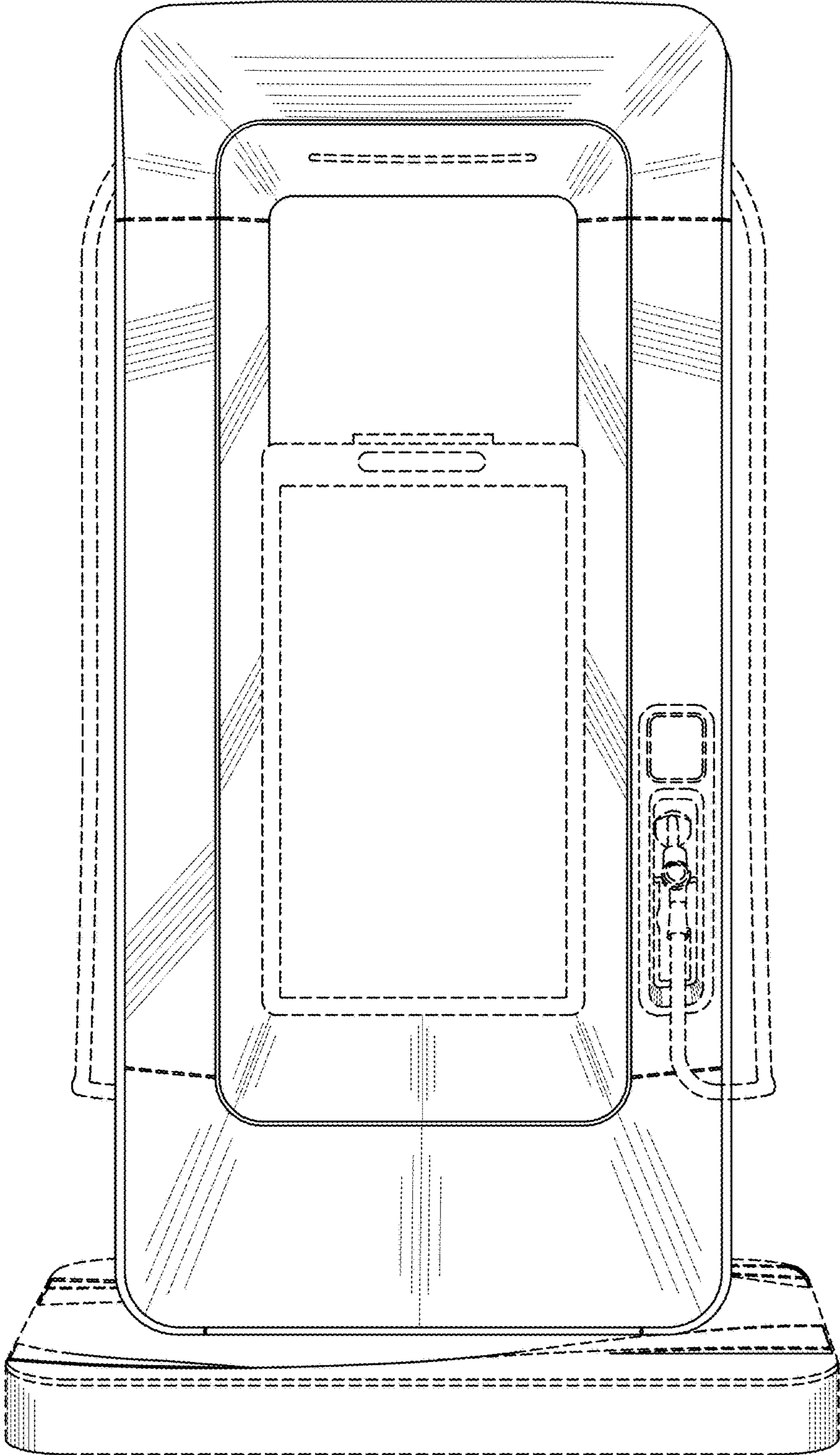


FIG. 8

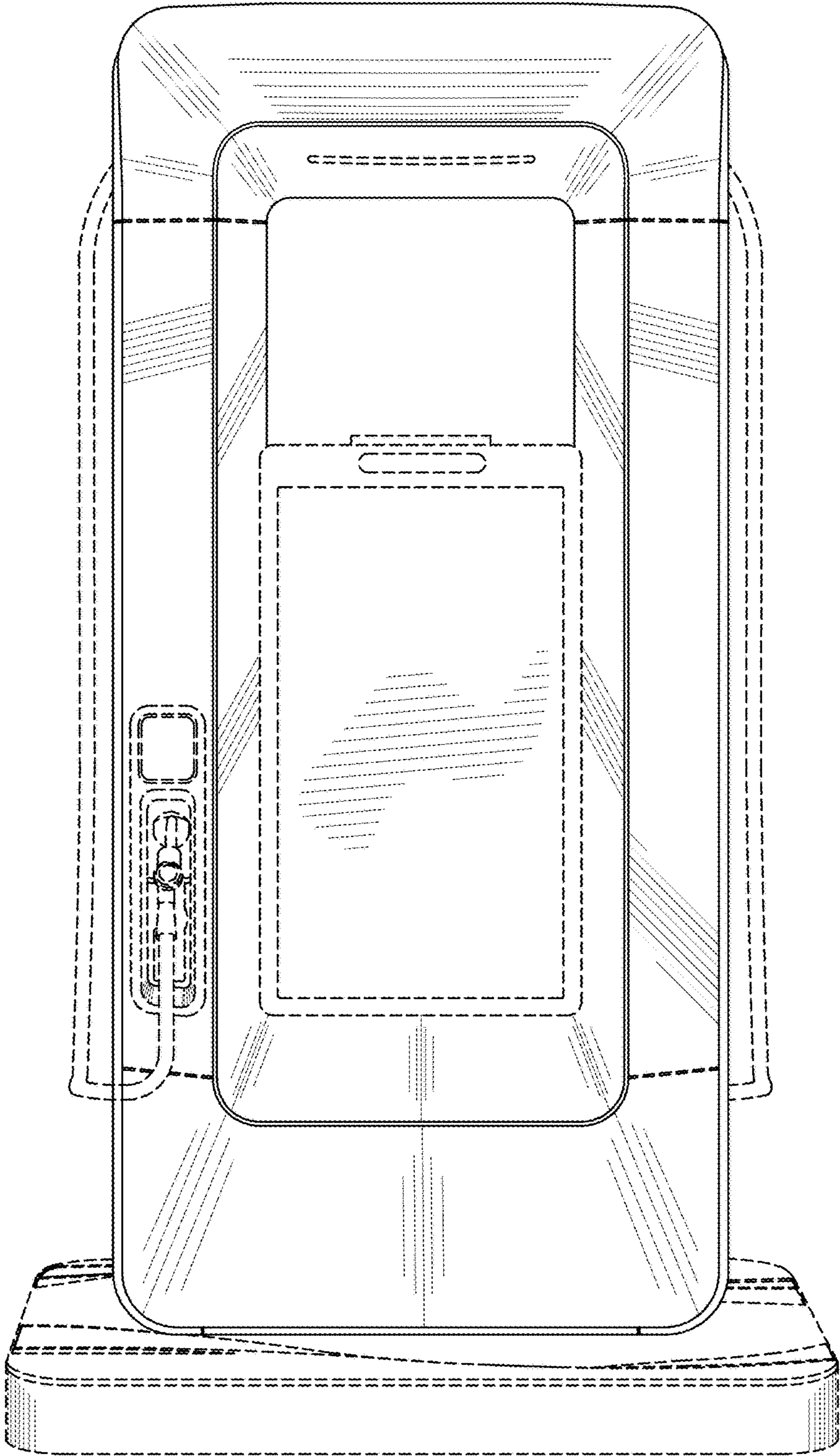


FIG. 9

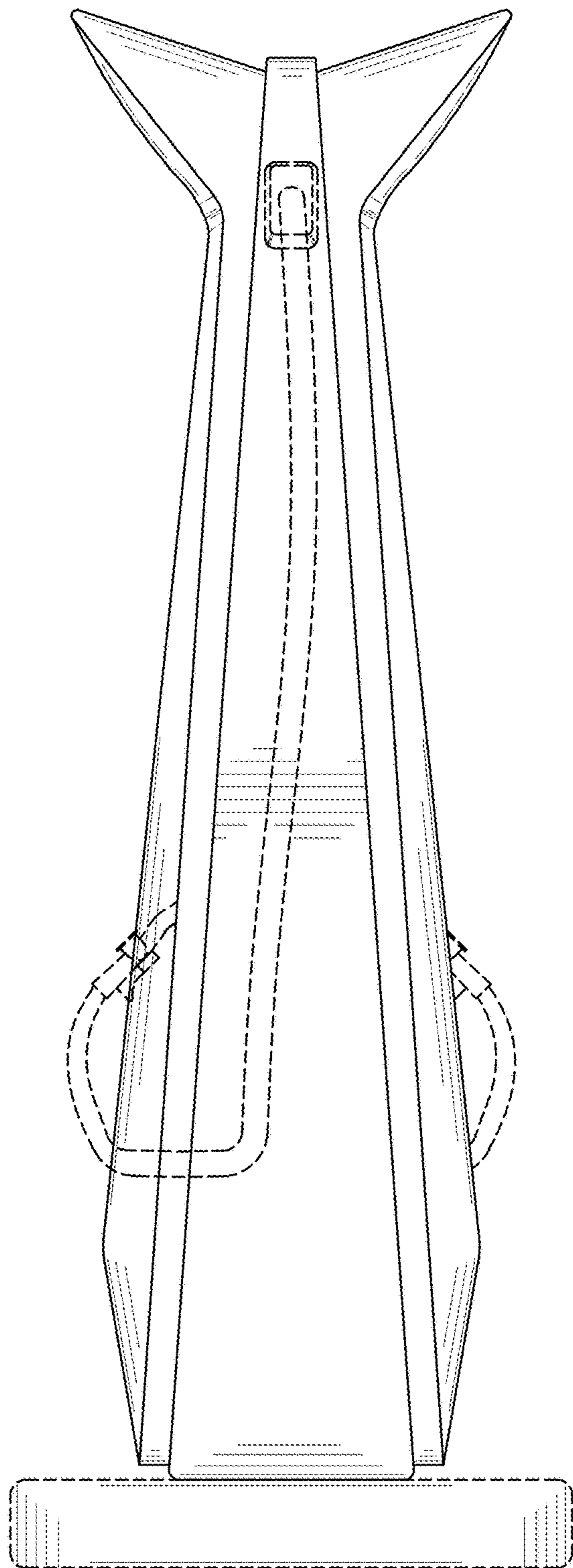


FIG. 10

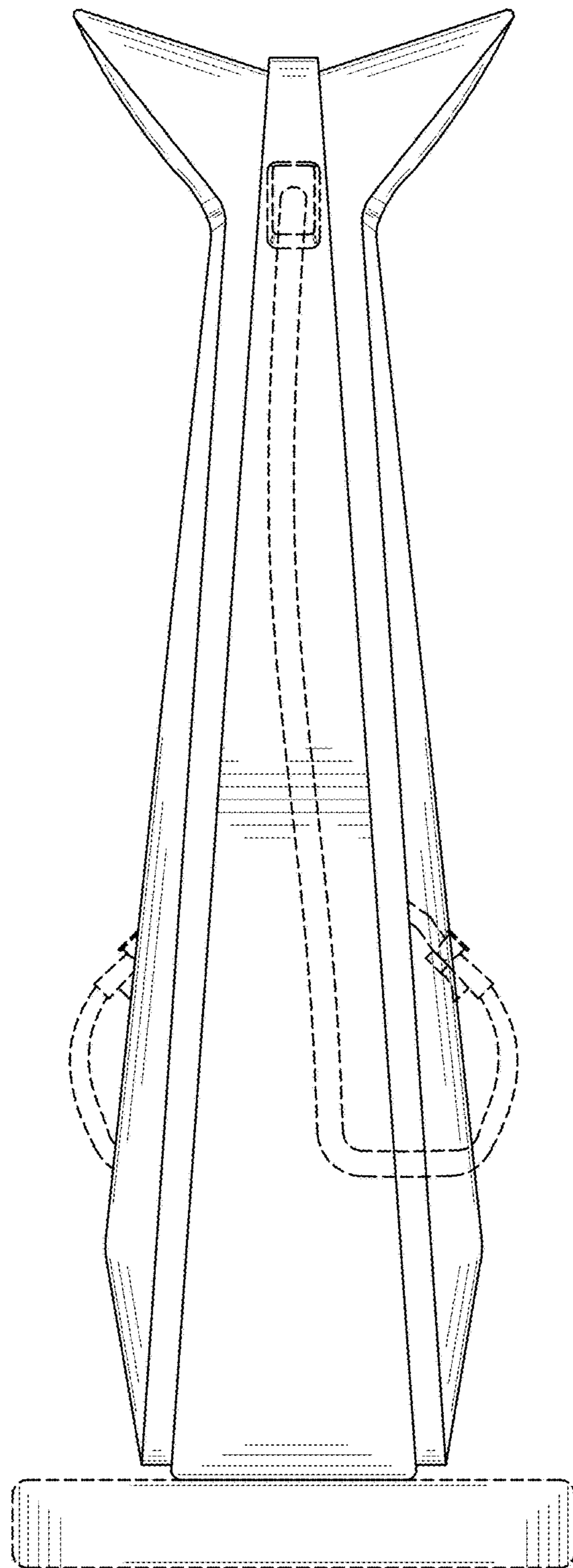


FIG. 11

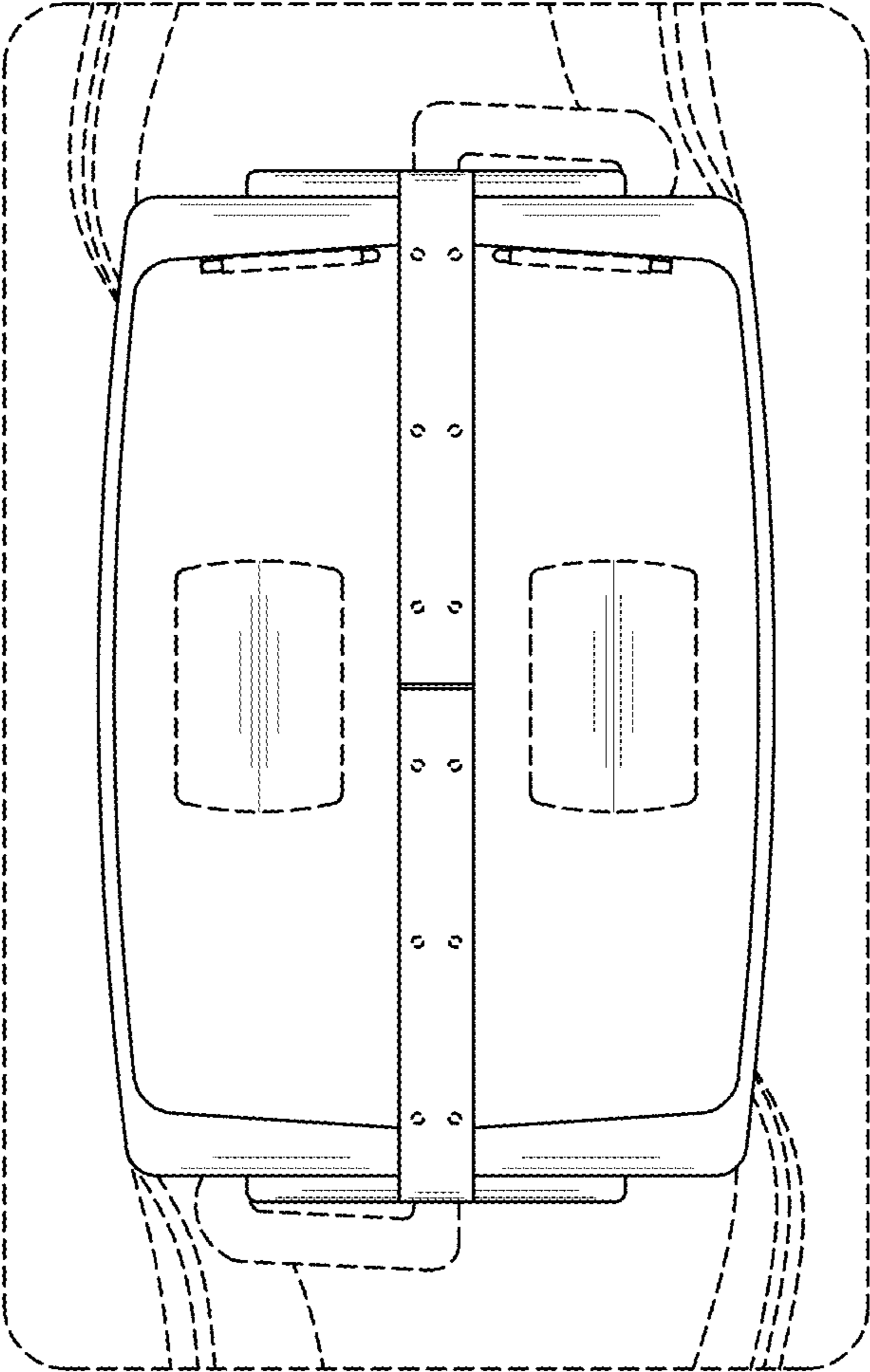


FIG. 12

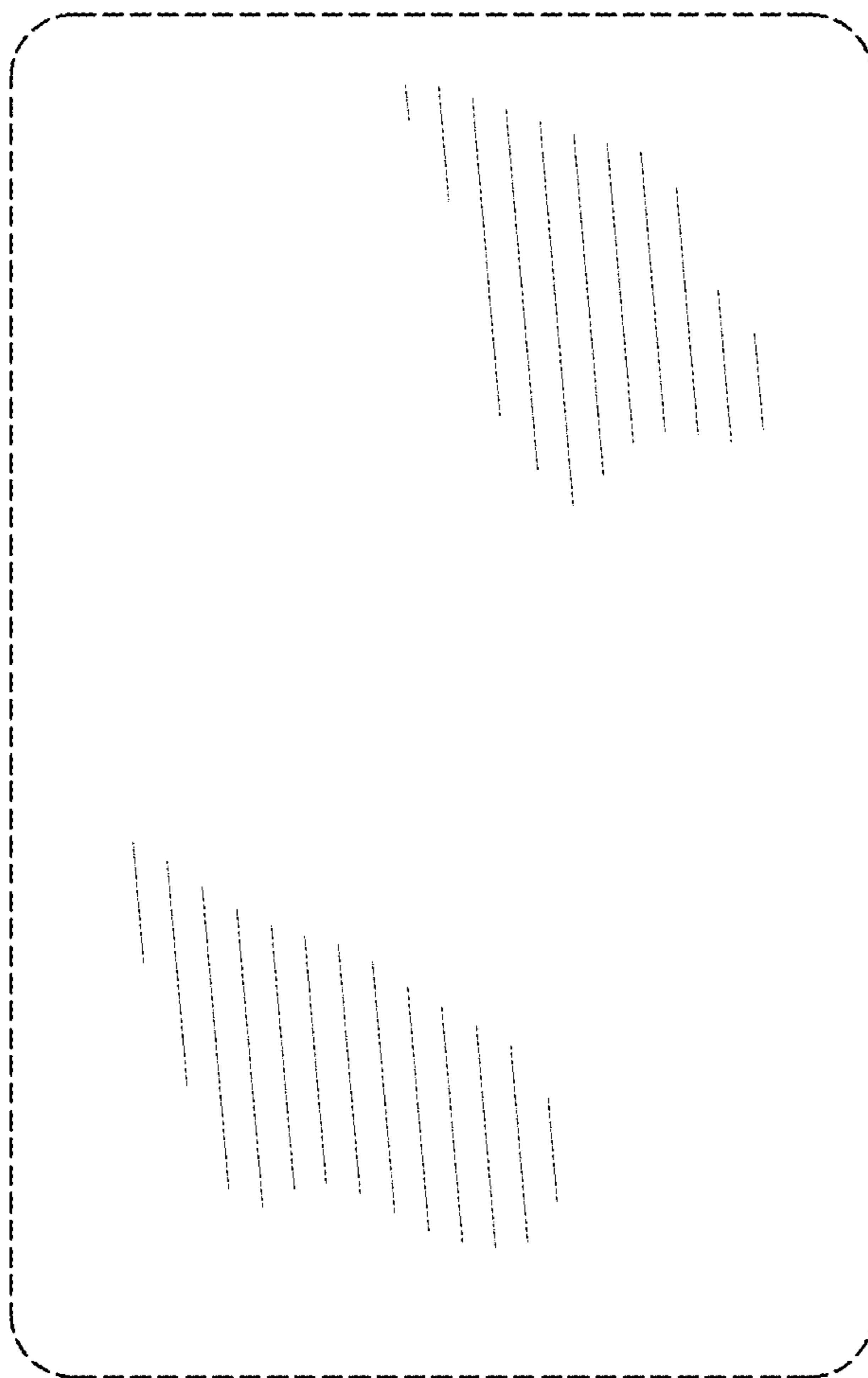


FIG. 13

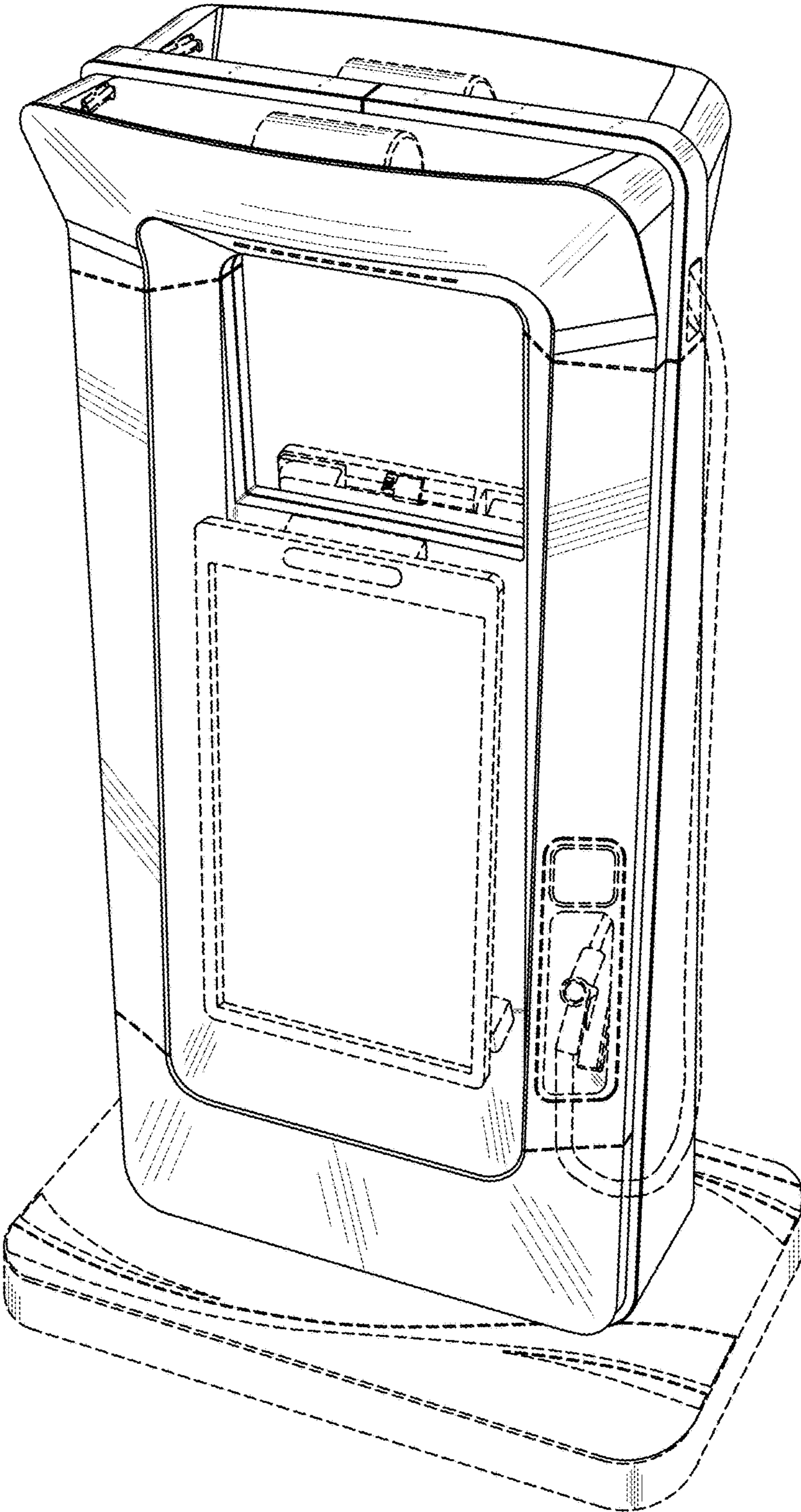


FIG. 14