



US00D820322S

(12) **United States Design Patent**
Sato

(10) **Patent No.:** **US D820,322 S**
(45) **Date of Patent:** **** Jun. 12, 2018**

(54) **COMPRESSOR**

(71) Applicant: **ANEST IWATA Corporation,**
Kanagawa-ken (JP)

(72) Inventor: **Toru Sato,** Kanagawa (JP)

(73) Assignee: **ANEST IWATA Corporation,**
Kanagawa-ken (JP)

(**) Term: **15 Years**

(21) Appl. No.: **29/602,067**

(22) Filed: **Apr. 28, 2017**

(30) **Foreign Application Priority Data**

Nov. 2, 2016 (JP) 2016-023915

(51) **LOC (11) Cl.** **15-02**

(52) **U.S. Cl.**
USPC **D15/9**

(58) **Field of Classification Search**

USPC D15/7-9; D23/231, 232, 225; 417/60,
417/235, 265, 321, 355, 358, 363, 359,
417/410.1, 415-416, 405, 900, 269, 539;
60/408, 412; 184/26-37; 415/140-147;
123/495, 509; 137/565.34
CPC F02M 37/04; F02M 37/14; F04B 53/92;
F04B 1/005; F04D 13/06; F04D 29/22;
F04D 29/046; F04D 29/2266

See application file for complete search history.

(56) **References Cited**

U.S. PATENT DOCUMENTS

D222,789 S * 12/1971 Giacosa D15/9
D469,111 S * 1/2003 Morita D15/9
D509,227 S * 9/2005 Buck D15/9
D529,049 S * 9/2006 Chu D15/9

D617,349 S * 6/2010 Chu D15/9
D618,706 S * 6/2010 Coleman D15/7
D621,420 S * 8/2010 Jiang D15/9
D622,738 S * 8/2010 Huang D15/9
D661,709 S * 6/2012 Ishikawa D15/7
D678,347 S * 3/2013 Chu D15/9
D678,916 S * 3/2013 Chu D15/9
D694,269 S * 11/2013 Chen D15/9
D774,555 S * 12/2016 Chu D15/9
D788,180 S * 5/2017 Mantes D15/7

FOREIGN PATENT DOCUMENTS

EP 2224136 9/2010
JP 4012711 11/2007
JP 2010196677 9/2010

* cited by examiner

Primary Examiner — Ralf Seifert

(74) *Attorney, Agent, or Firm* — JCIPRNET

(57) **CLAIM**

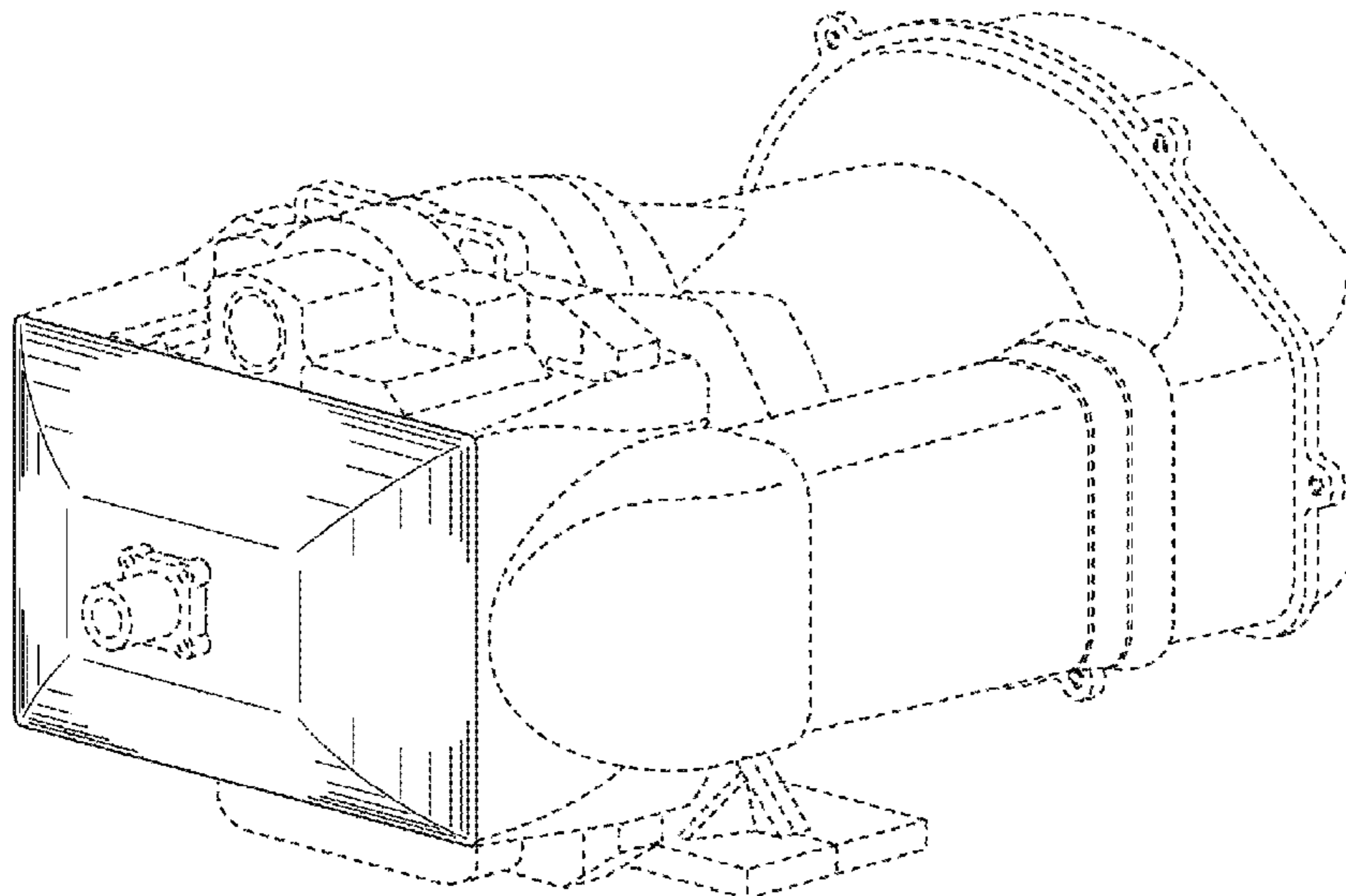
The ornamental design for a compressor, as shown and described.

DESCRIPTION

FIG. 1 is a perspective view of a compressor showing my new design;
FIG. 2 is a front view thereof;
FIG. 3 is a rear view thereof;
FIG. 4 is a right side view thereof;
FIG. 5 is a left side view thereof;
FIG. 6 is a top view thereof; and,
FIG. 7 is a bottom view thereof.

The dashed broken lines illustrate portions of the compressor and form no part of the claimed design. The dot-dash broken lines define the bounds of the claimed design and form no part thereof.

1 Claim, 5 Drawing Sheets



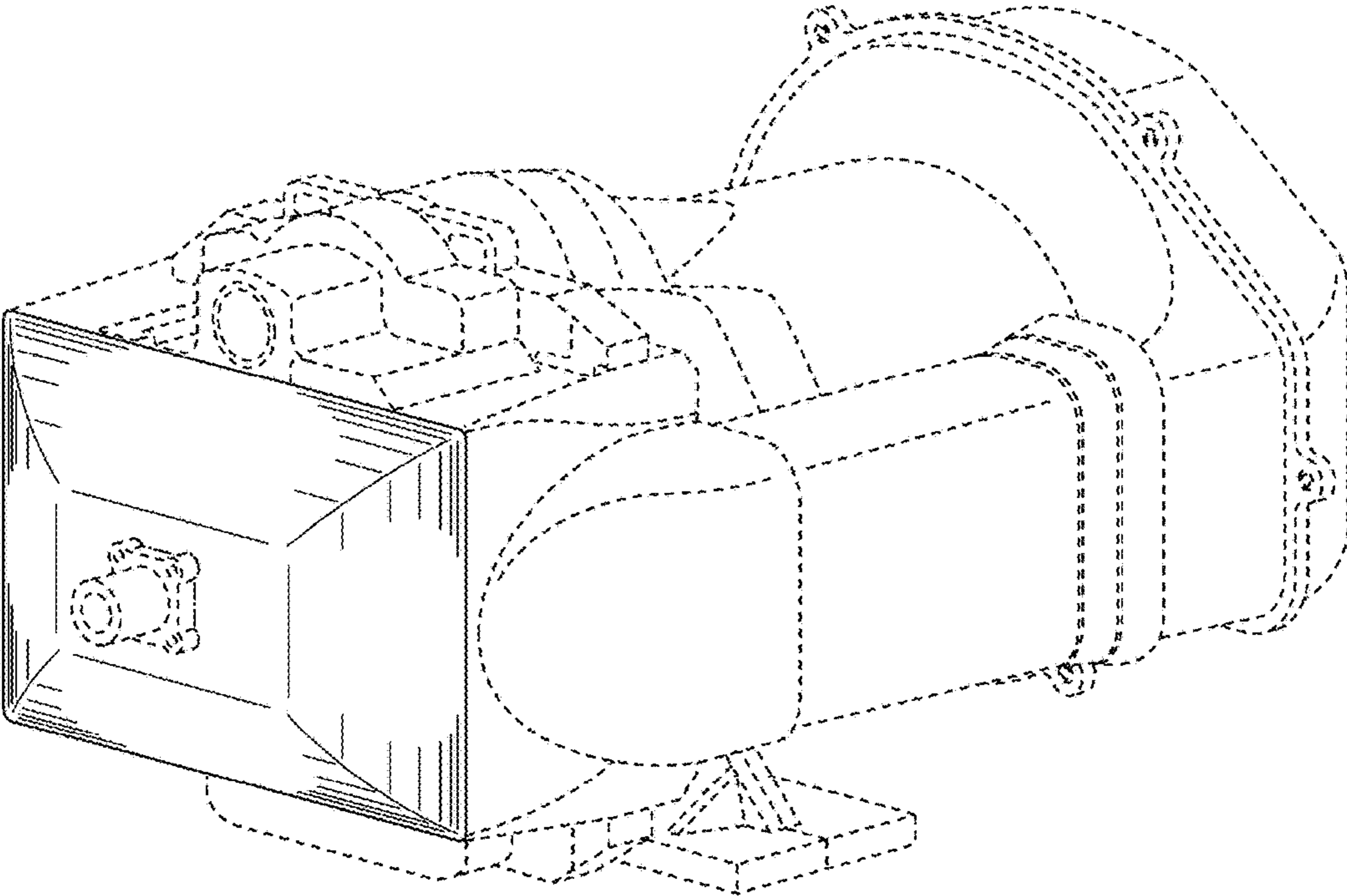


FIG. 1

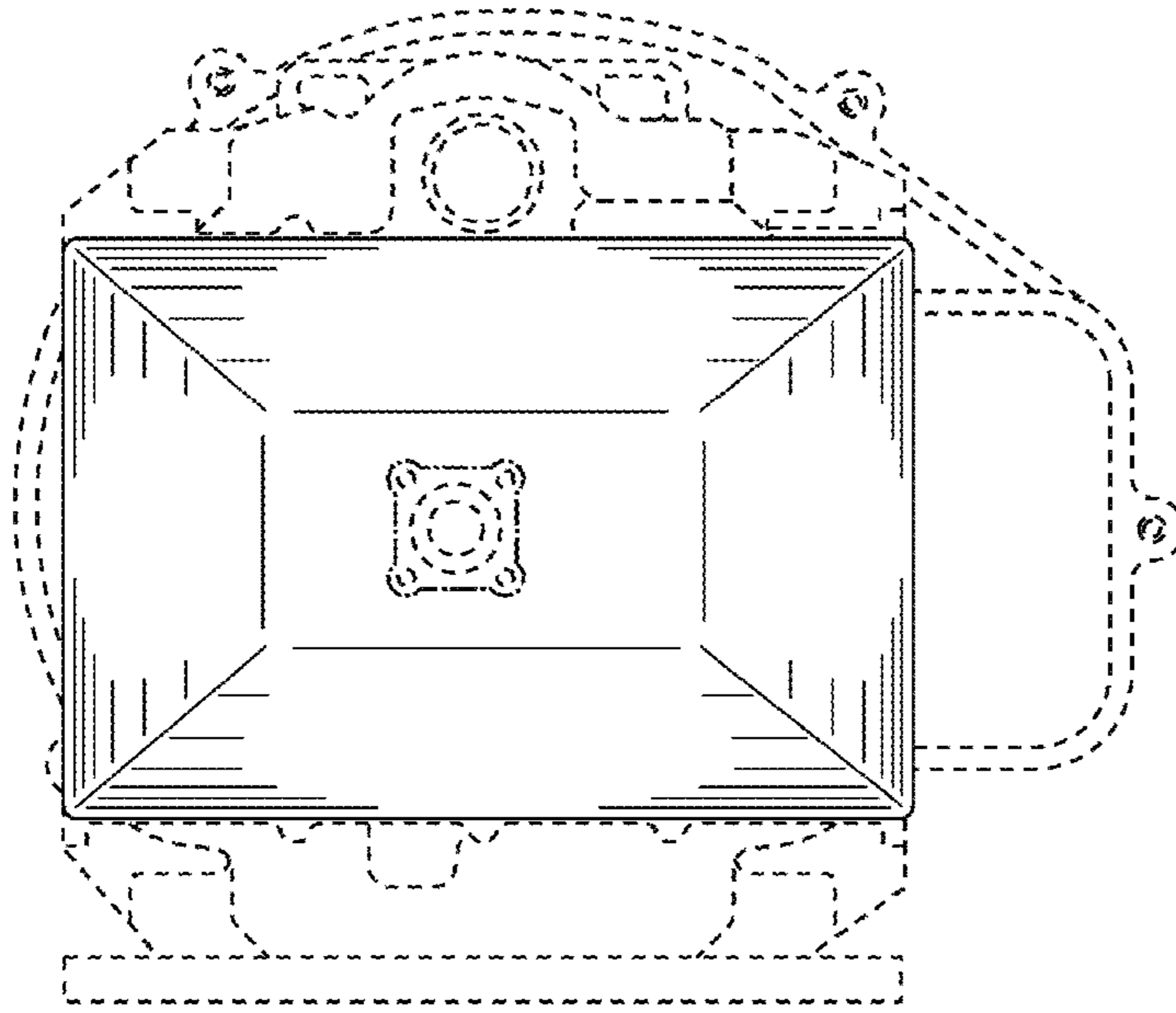


FIG. 2

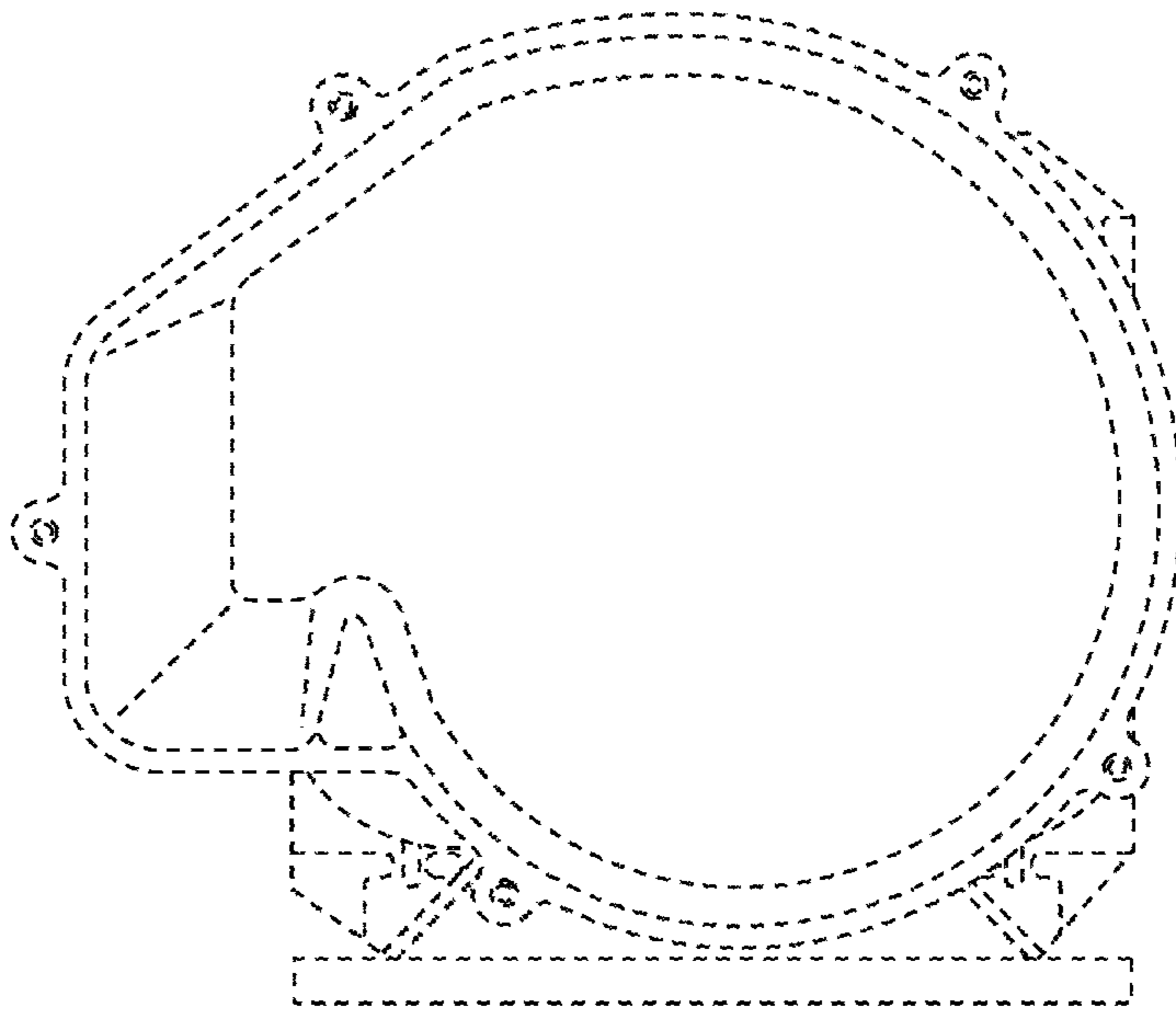


FIG. 3

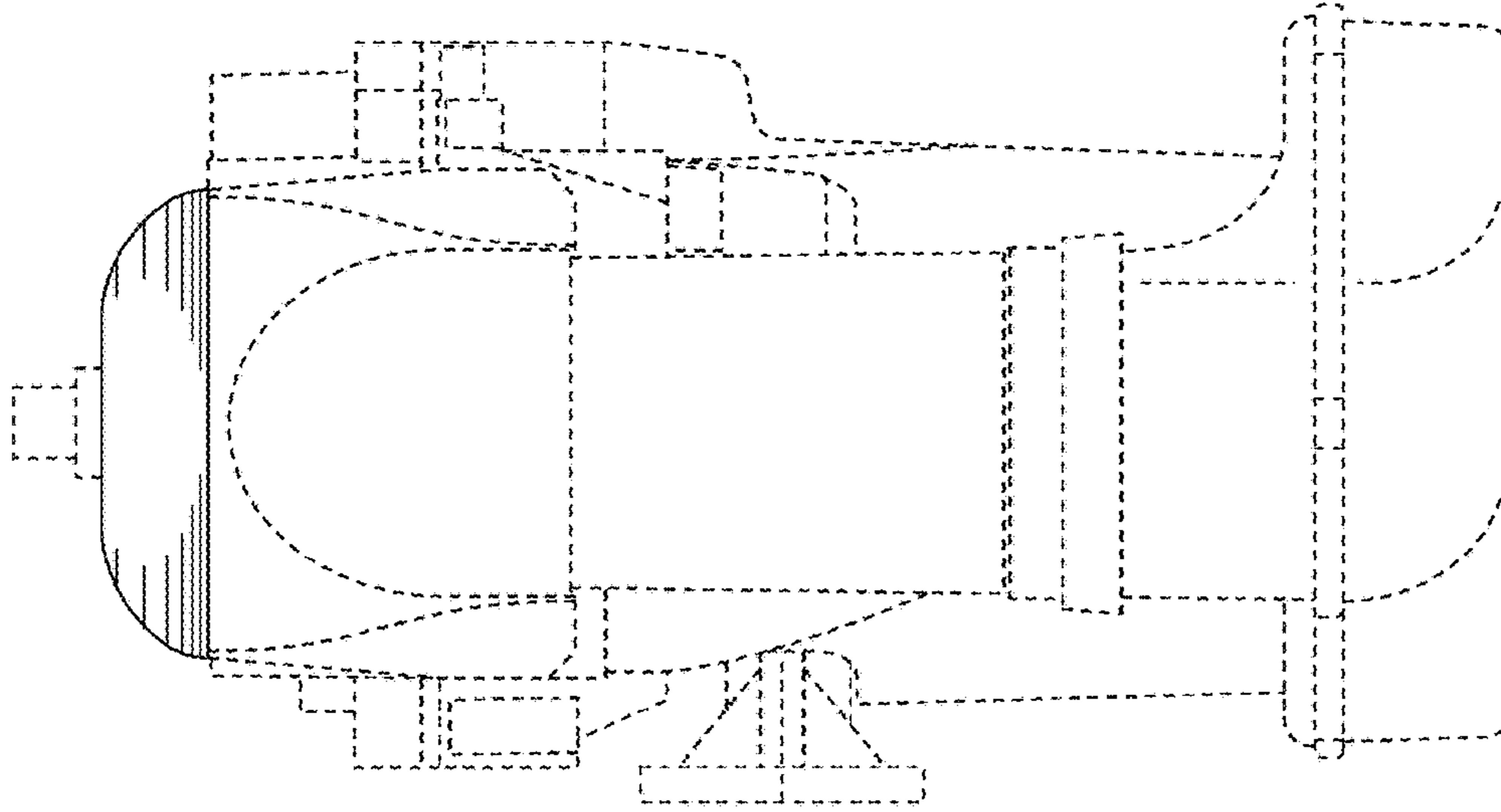


FIG. 4

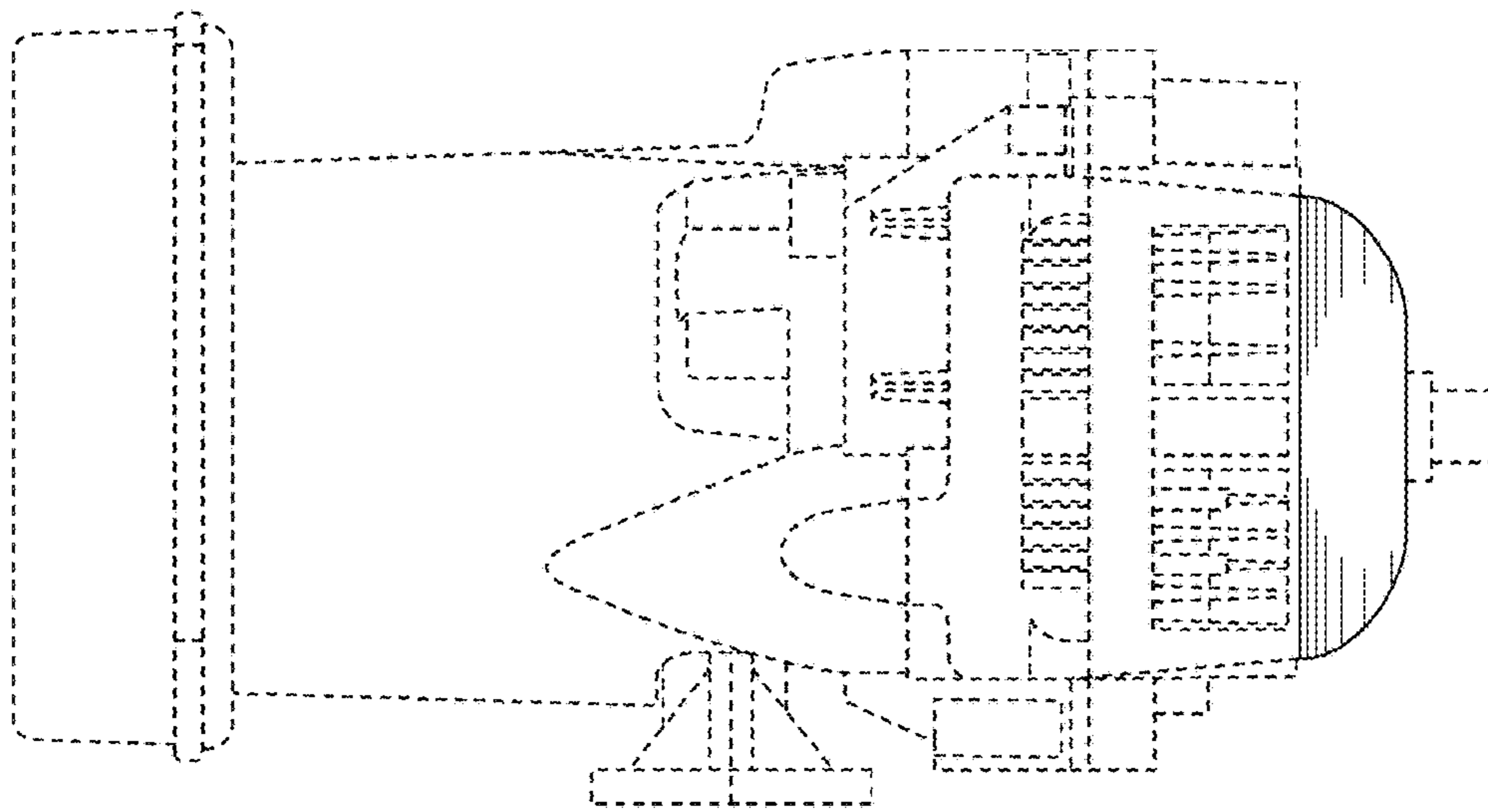


FIG. 5

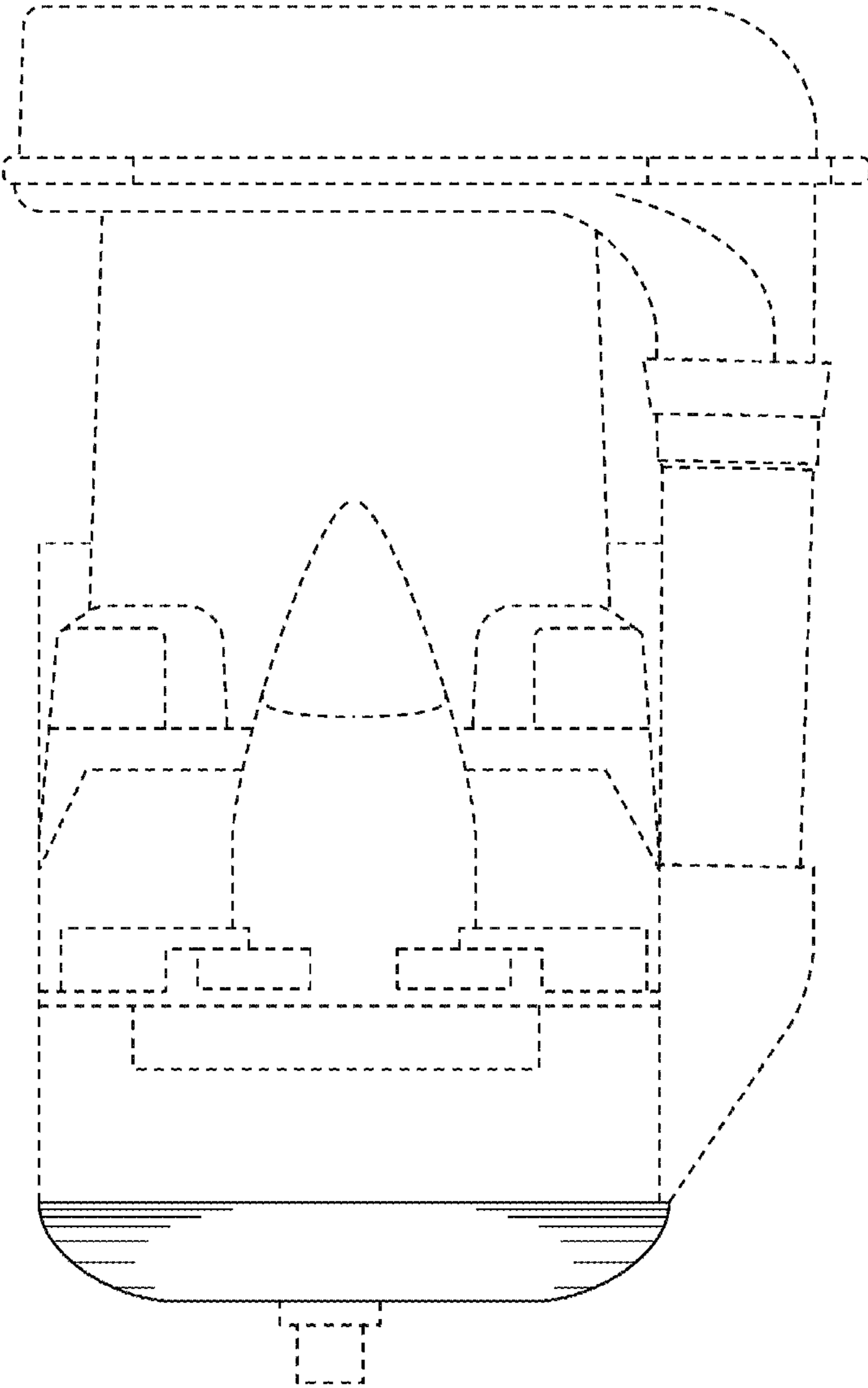


FIG. 6

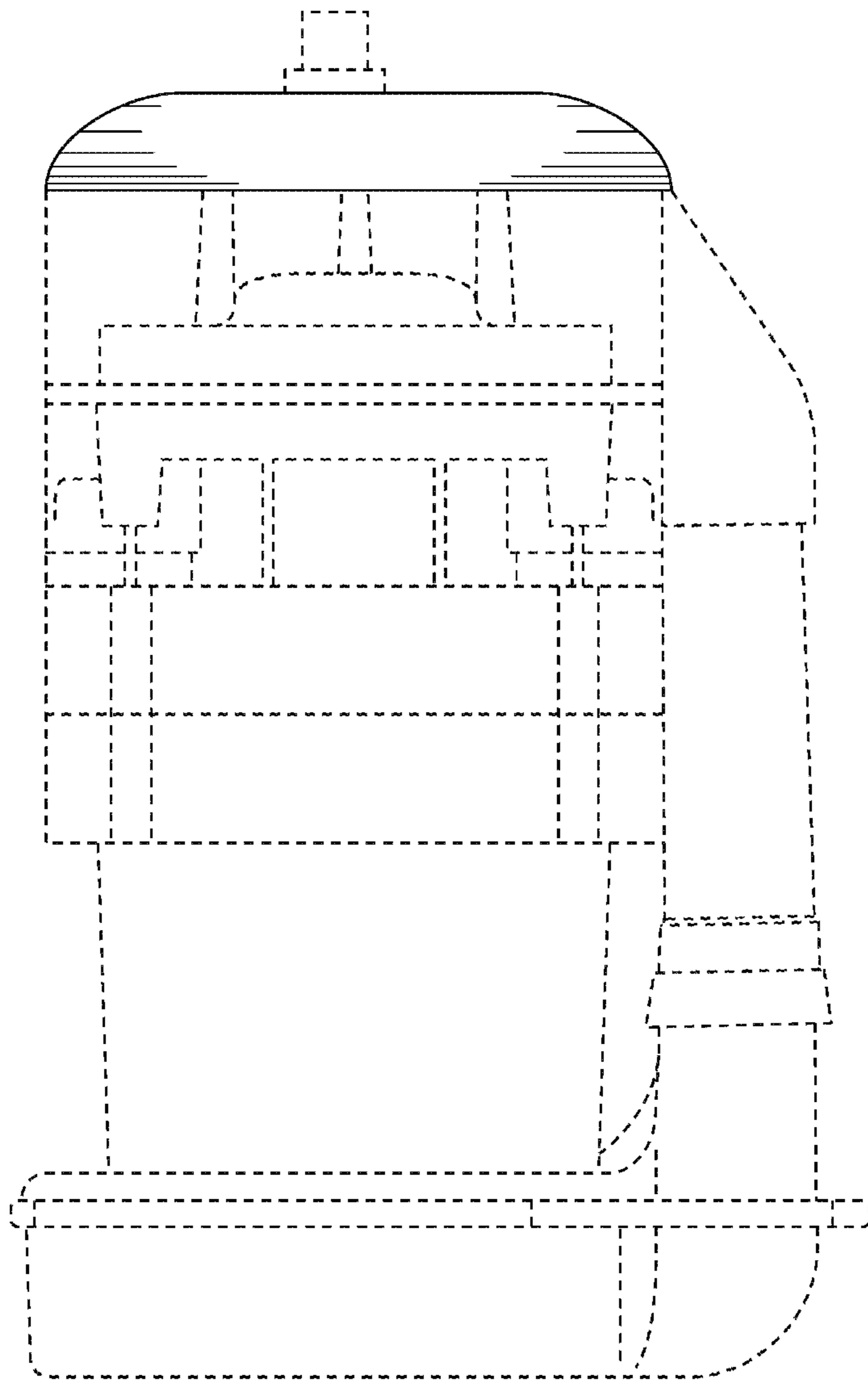


FIG. 7