



US00D820321S

(12) **United States Design Patent**
Kudo et al.

(10) **Patent No.:** **US D820,321 S**
(45) **Date of Patent:** **** Jun. 12, 2018**

(54) **FLUID PRESSURE CYLINDER**
(71) Applicant: **SMC CORPORATION**, Tokyo (JP)
(72) Inventors: **Masayuki Kudo**, Tsukubamirai (JP);
Masahiko Kawakami, Tsukubamirai
(JP); **Yuu Mizutani**, Tsukubamirai (JP);
Shinichiro Nemoto, Tsukubamirai (JP);
Eiko Miyasato, Tsukubamirai (JP)

D572,282 S 7/2008 Yaegashi
D584,324 S 1/2009 Yaegashi
D669,097 S 10/2012 Hariwara
D669,098 S 10/2012 Hariwara
D699,759 S * 2/2014 Peschel D15/7
D699,760 S * 2/2014 Peschel D15/7
D699,761 S * 2/2014 Peschel D15/7
D760,805 S 7/2016 Monden

(73) Assignee: **SMC CORPORATION**, Tokyo (JP)
(**) Term: **15 Years**

FOREIGN PATENT DOCUMENTS
JP D1520205 S 3/2015
* cited by examiner
Primary Examiner — Ralf Seifert
(74) *Attorney, Agent, or Firm* — Birch, Stewart, Kolasch
& Birch, LLP

(21) Appl. No.: **29/596,976**
(22) Filed: **Mar. 13, 2017**

(30) **Foreign Application Priority Data**
Sep. 15, 2016 (JP) 2016-019945
(51) **LOC (11) Cl.** **15-02**
(52) **U.S. Cl.**
USPC **D15/7**
(58) **Field of Classification Search**
USPC D15/7-9, 143; D23/231, 232, 225;
417/60, 235, 265, 321, 355, 358, 363,
417/359, 410.1, 415-416, 405, 900;
60/408, 412; 184/26-37; 415/140-147;
123/495, 509; 91/177, 395; 92/52
CPC F02M 37/04; F02M 31/14; F04D 29/4286;
F15B 15/149; F15B 15/16; F15B
15/1414; F15B 14/1919; F15B 15/26
See application file for complete search history.

(56) **References Cited**
U.S. PATENT DOCUMENTS
6,152,015 A * 11/2000 Migliori F15B 15/1419
92/177
6,758,127 B2 * 7/2004 Schult F15B 15/1414
91/394

(57) **CLAIM**
The ornamental design for a fluid pressure cylinder, as
shown.

DESCRIPTION
FIG. 1 is a front, top and left side perspective view of a fluid
pressure cylinder showing our new design;
FIG. 2 is a rear, bottom and right side perspective view
thereof;
FIG. 3 is a front view thereof;
FIG. 4 is a rear view thereof;
FIG. 5 is a top plan view thereof;
FIG. 6 is a bottom plan view thereof;
FIG. 7 is a left side view thereof;
FIG. 8 is a right side view thereof; and,
FIG. 9 is a cross sectional view taken along the line 9-9 of
FIG. 5.

1 Claim, 9 Drawing Sheets

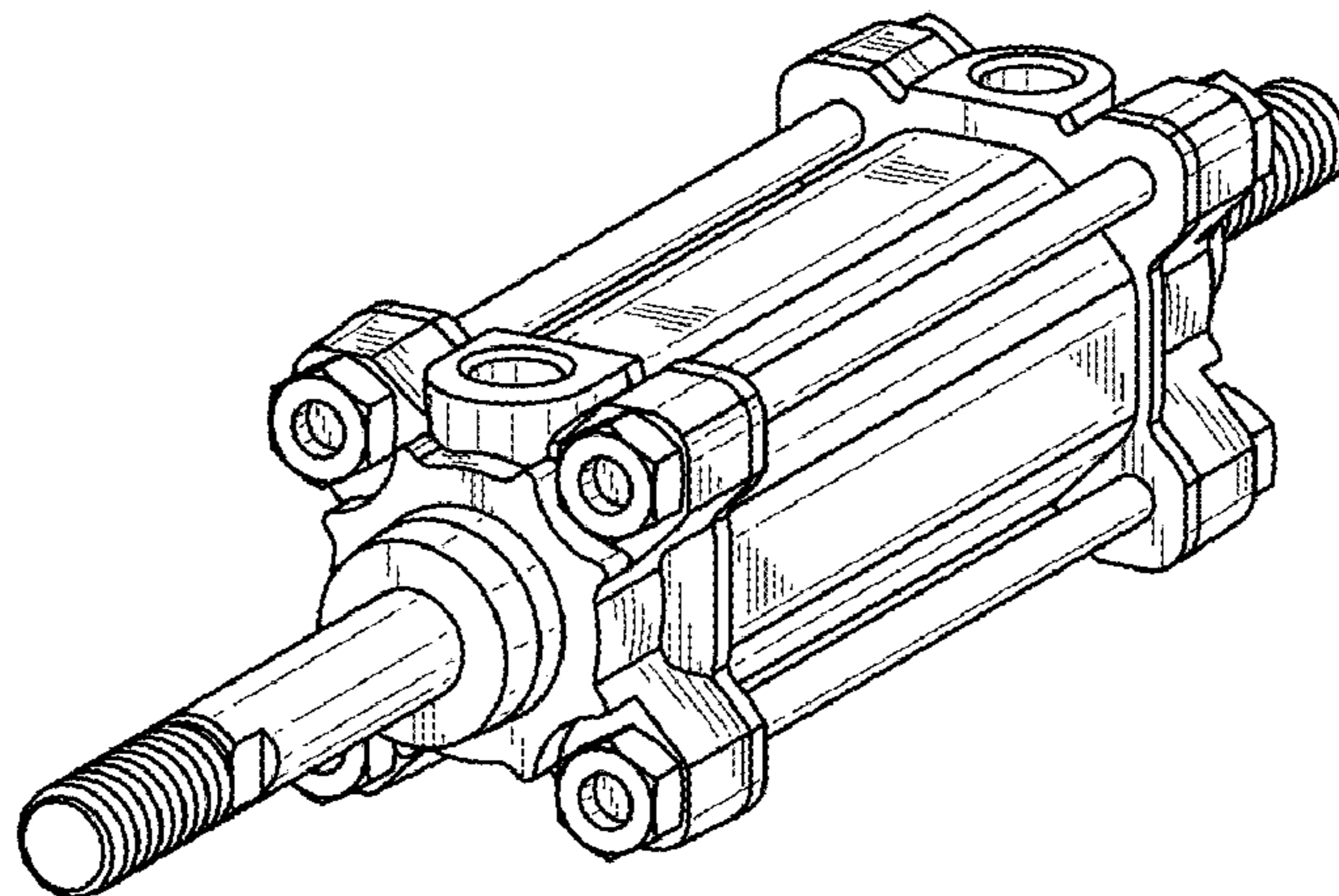


FIG. 1

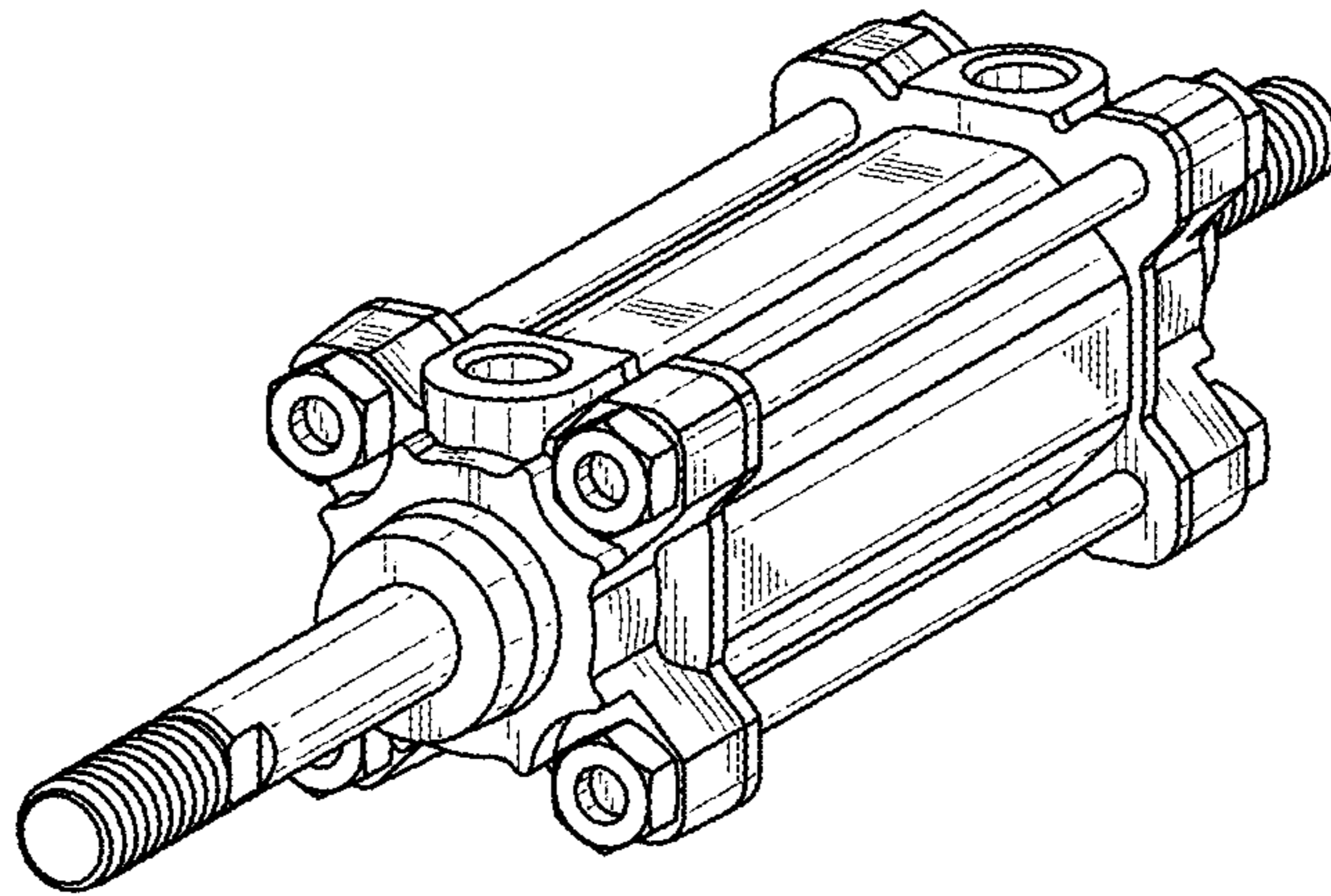


FIG. 2

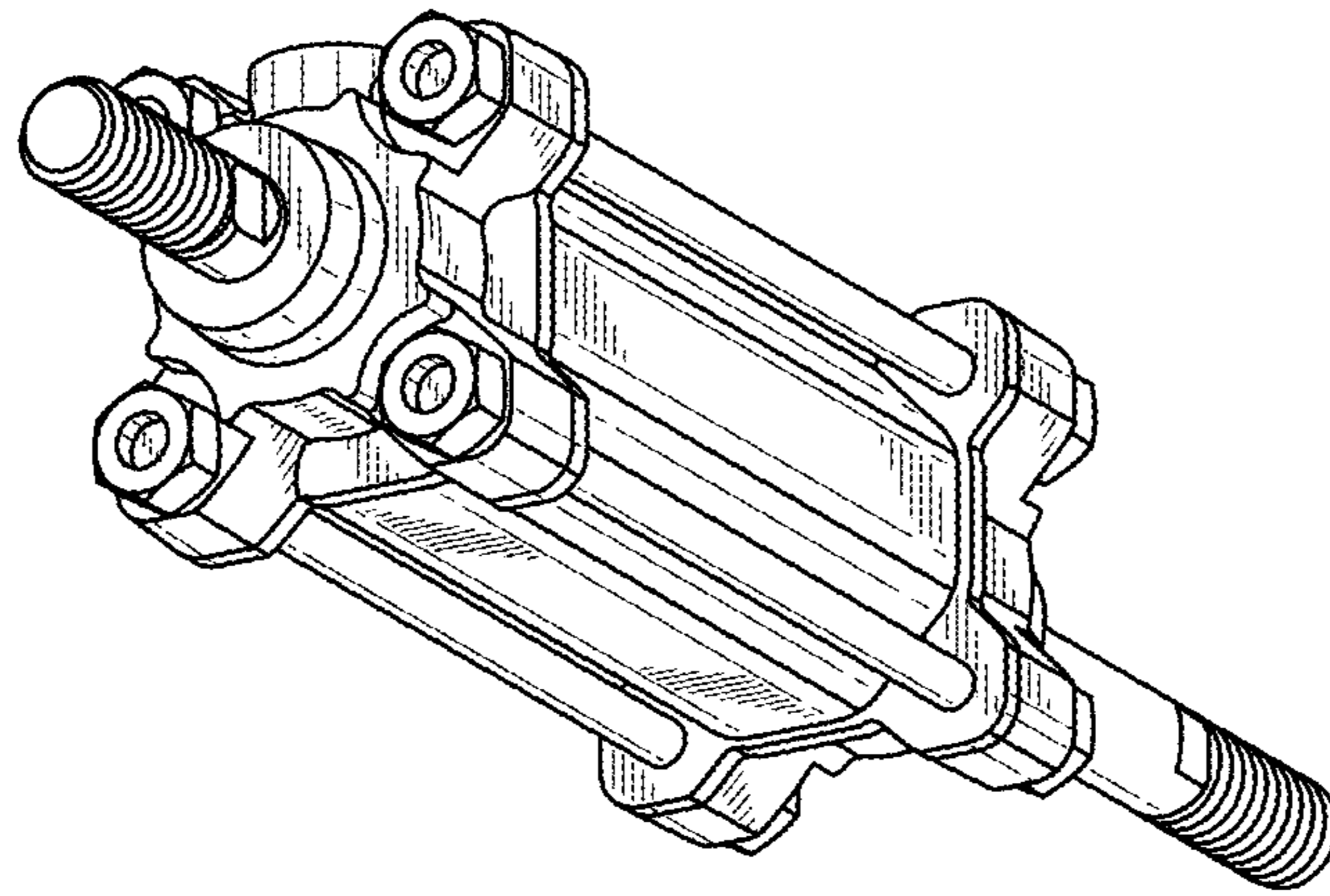


FIG. 3

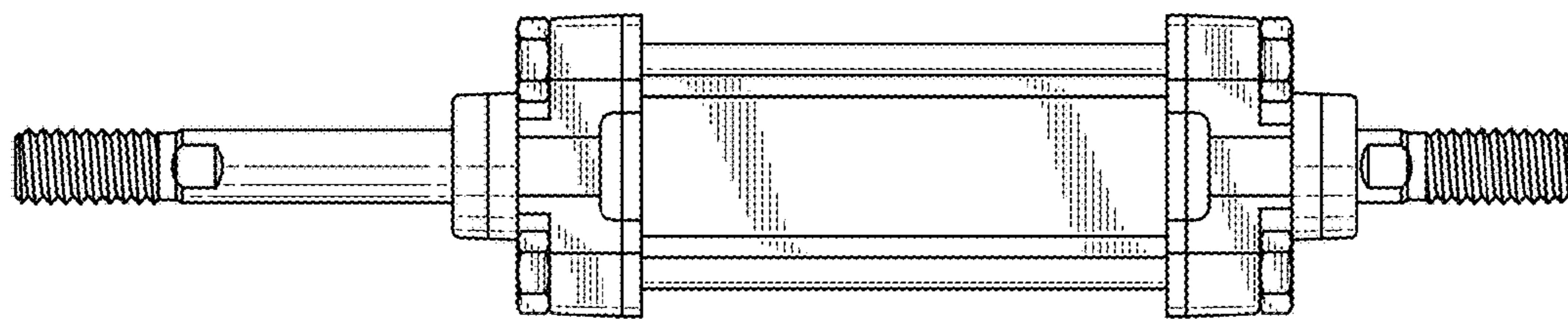


FIG. 4

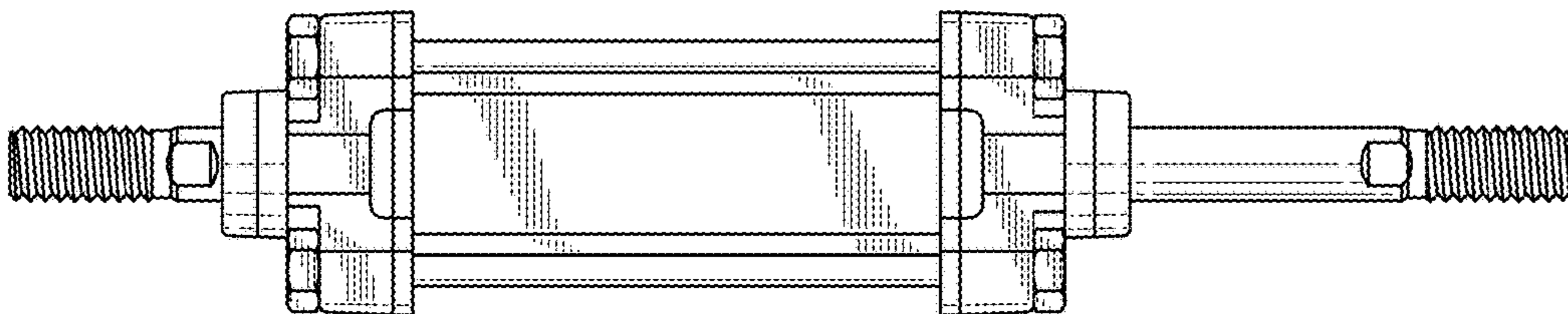


FIG. 5

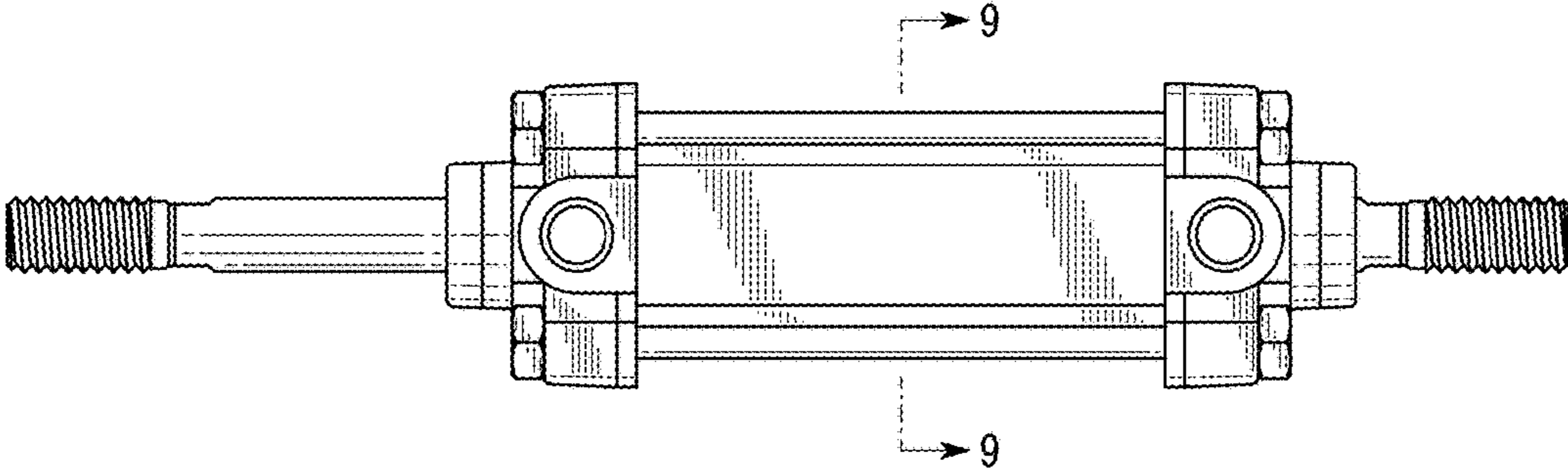


FIG. 6

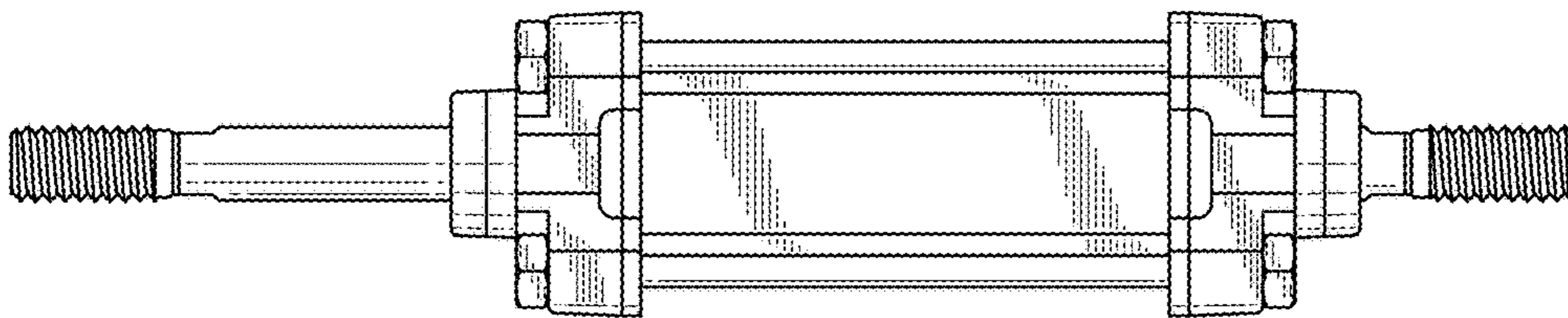


FIG. 7

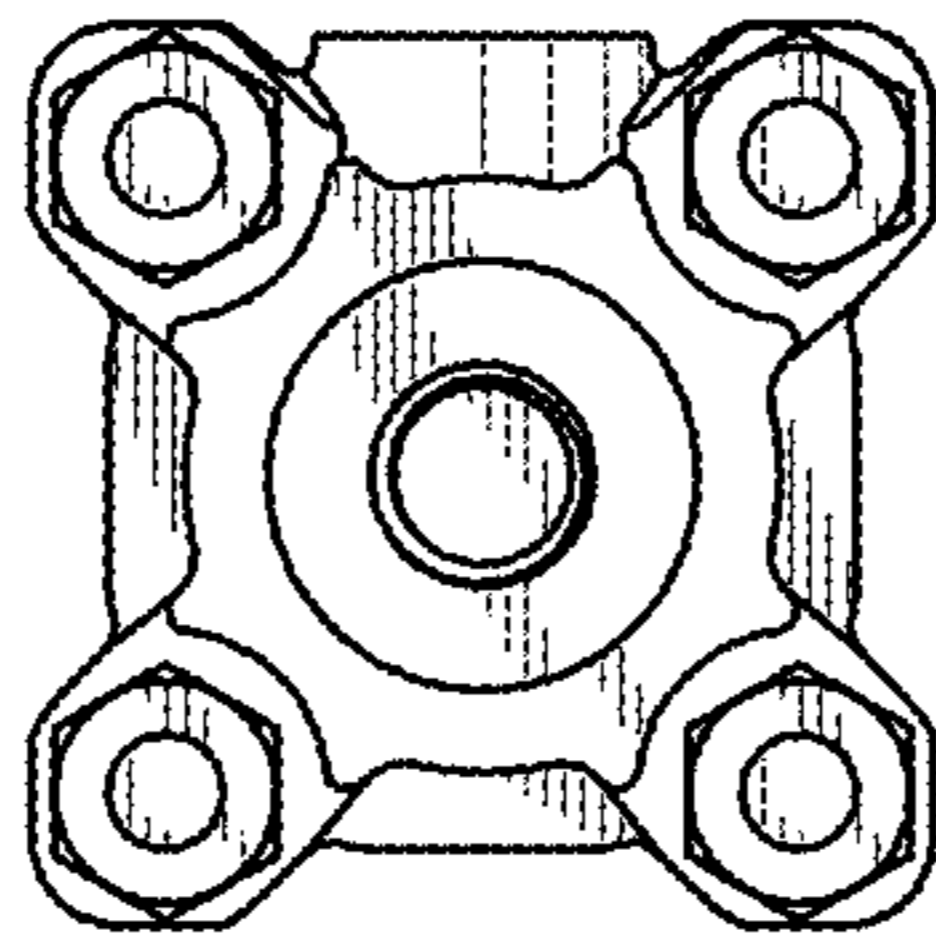


FIG. 8

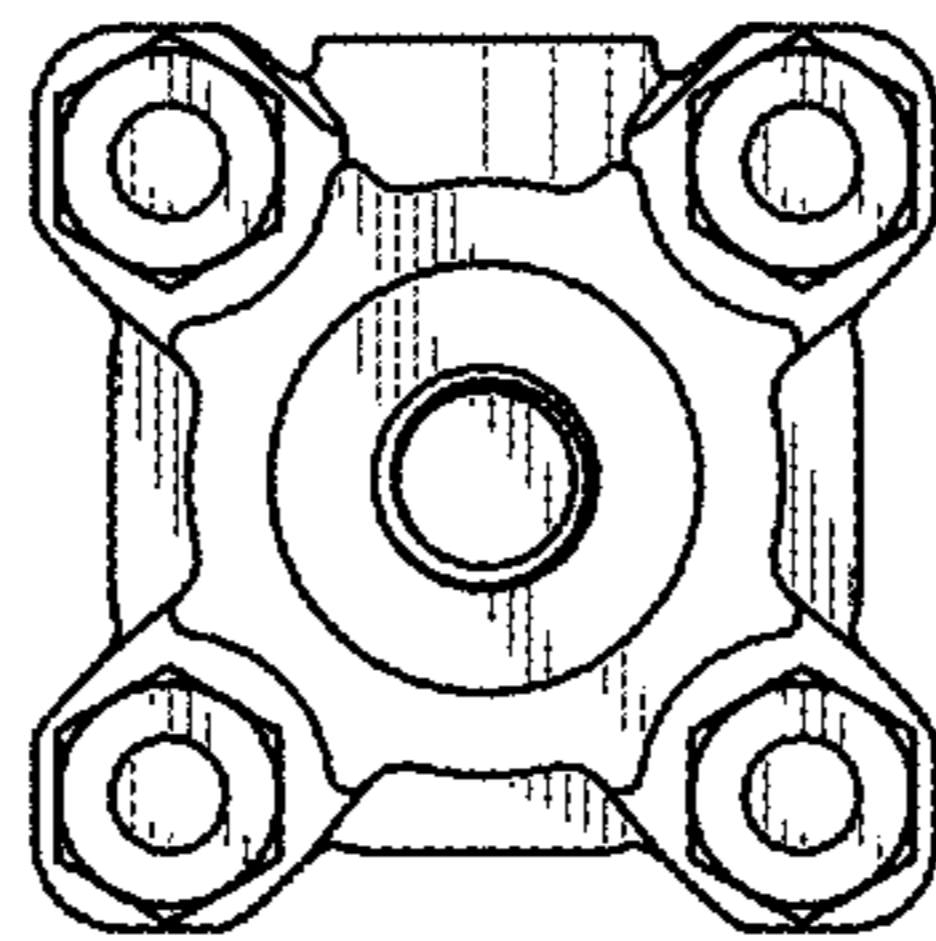


FIG. 9

