



US00D820320S

(12) **United States Design Patent** (10) **Patent No.:** **US D820,320 S**
Kencevski (45) **Date of Patent:** **** Jun. 12, 2018**

(54) **ROLLER ROCKER**
(71) Applicant: **Jason Kencevski**, Sydney (AU)
(72) Inventor: **Jason Kencevski**, Sydney (AU)
(**) Term: **15 Years**
(21) Appl. No.: **29/581,862**
(22) Filed: **Oct. 23, 2016**
(51) **LOC (11) Cl.** **15-03**
(52) **U.S. Cl.**
USPC **D15/5**
(58) **Field of Classification Search**
USPC D15/1-6
CPC F01L 2101/00; F01L 13/0005; F01L 13/0036; F01L 1/026; F01L 1/14; F01L 1/18; F01L 1/185; F01L 1/2405; F01L 1/344; F01L 2001/054; F01L 2001/186; F01L 2013/001; F01L 2103/00; F01L 2105/00; F01L 2105/02; F01L 2107/00; F01L 2800/11; F01L 2810/03; F01L 2820/043; F01L 9/021; A23K 20/163
See application file for complete search history.

D647,116 S * 10/2011 Omi D15/139
D647,117 S * 10/2011 Omi D15/139
D750,670 S * 3/2016 McCarthy, Jr. D15/5
D757,823 S * 5/2016 Yee D15/5
2005/0016480 A1* 1/2005 Ferracin F01L 1/185
123/90.16
2007/0039573 A1* 2/2007 Deierlein F01L 1/185
123/52.1
2007/0113809 A1* 5/2007 Harman F01L 1/185
123/90.16

* cited by examiner

Primary Examiner — Ian Simmons
Assistant Examiner — Khawaja Anwar
(74) *Attorney, Agent, or Firm* — Integral Patent Associates; Laurence Shaw

(57) **CLAIM**

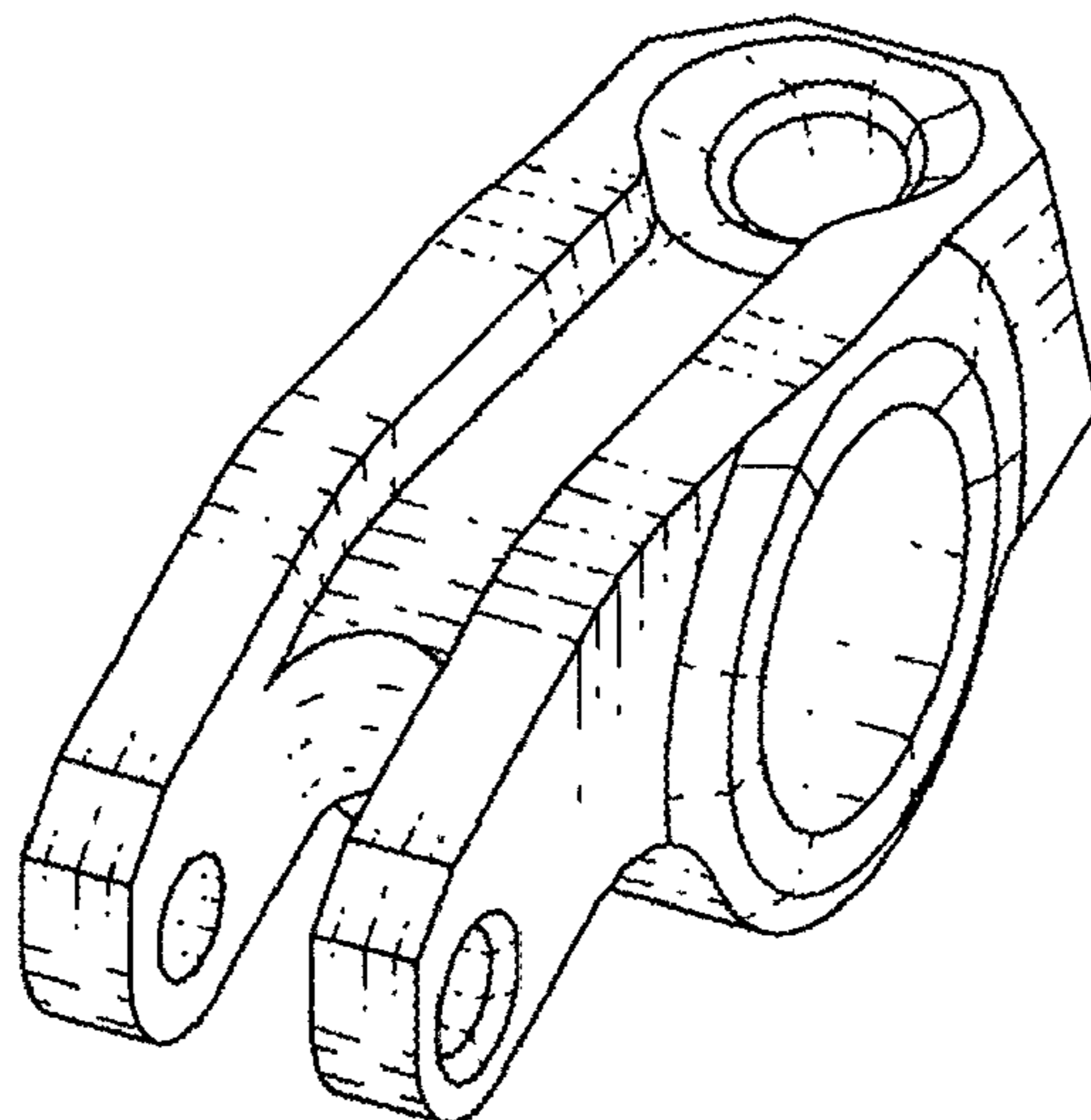
The ornamental design for a roller rocker, as shown and described.

DESCRIPTION

FIG. 1 shows a perspective top, front, right view of a roller rocker showing my new design;
FIG. 2 shows a perspective bottom, left view thereof;
FIG. 3 shows a left side view thereof;
FIG. 4 shows a right side view thereof;
FIG. 5 shows a top view thereof;
FIG. 6 shows a bottom view thereof;
FIG. 7 shows a back view thereof; and,
FIG. 8 shows a front view thereof.
Broken lines are for illustrative purposes only and form no part of the claimed design.

1 Claim, 4 Drawing Sheets

(56) **References Cited**
U.S. PATENT DOCUMENTS
7,240,652 B2* 7/2007 Roerig F01L 1/185
123/90.16
D574,853 S * 8/2008 Harbert D15/5
D587,284 S * 2/2009 Stopanio D15/5
7,761,988 B2* 7/2010 Rorig B21D 53/84
29/557
7,882,814 B2* 2/2011 Spath F01L 1/185
123/90.39



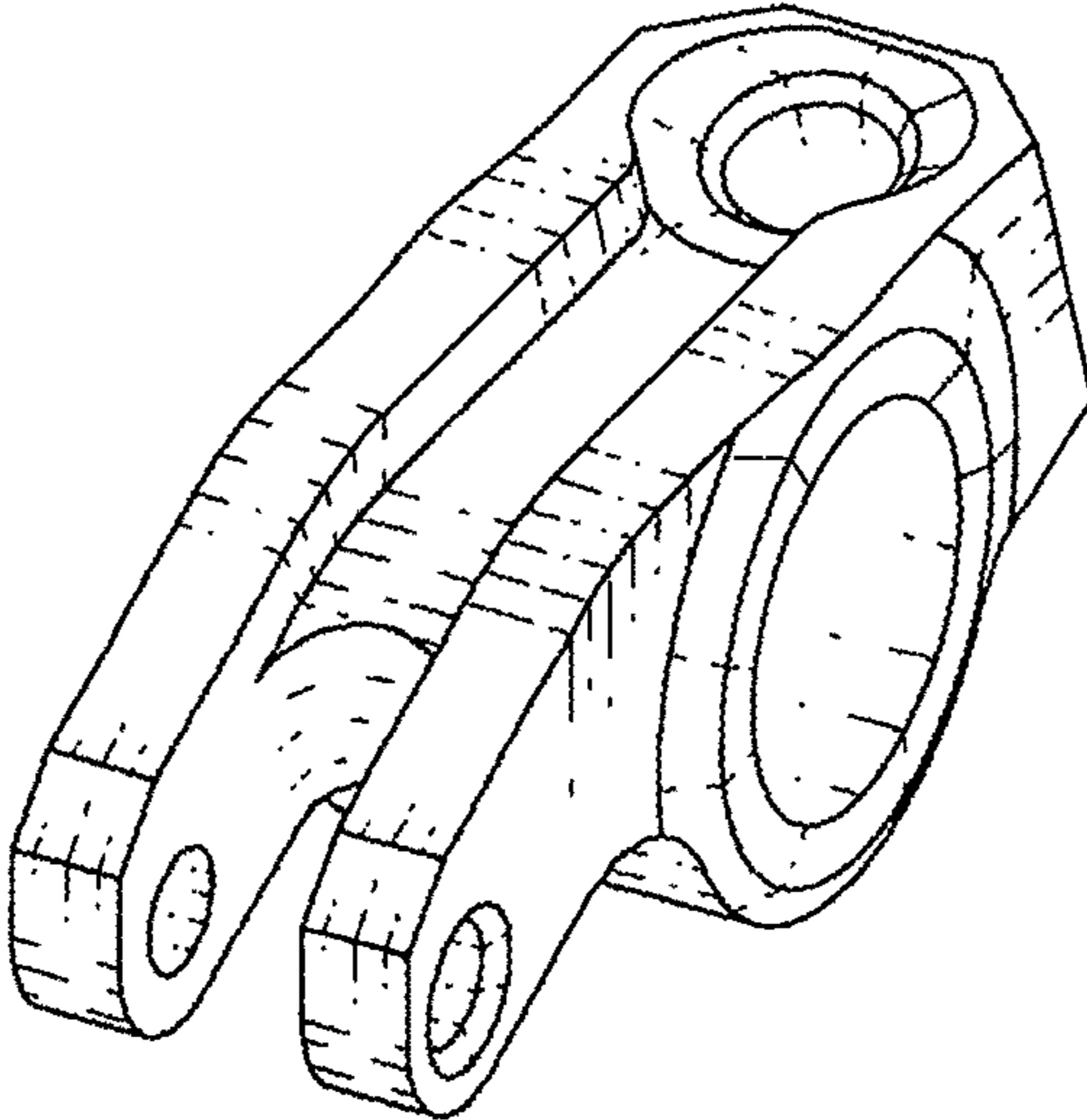


FIG. 1

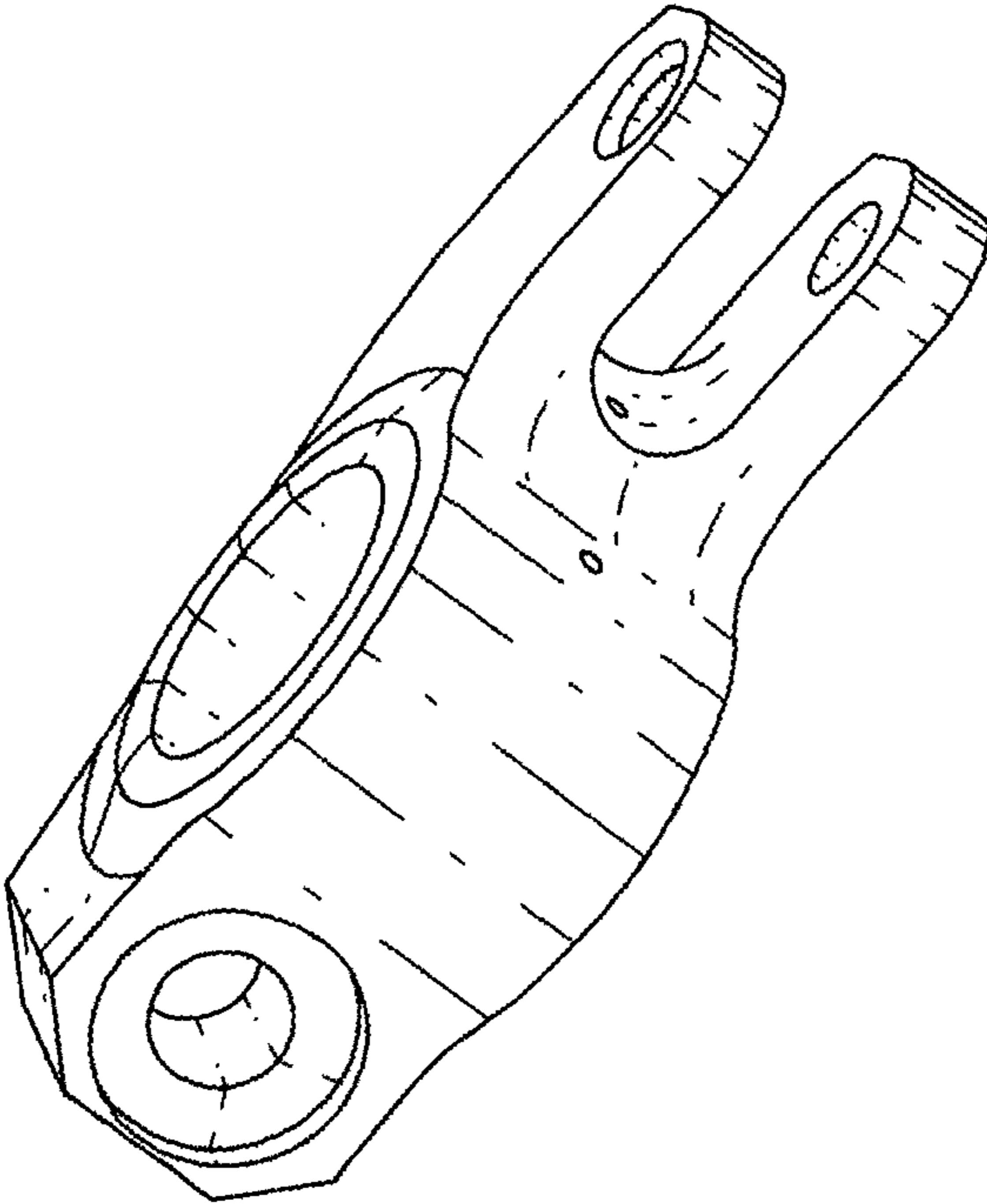


FIG. 2

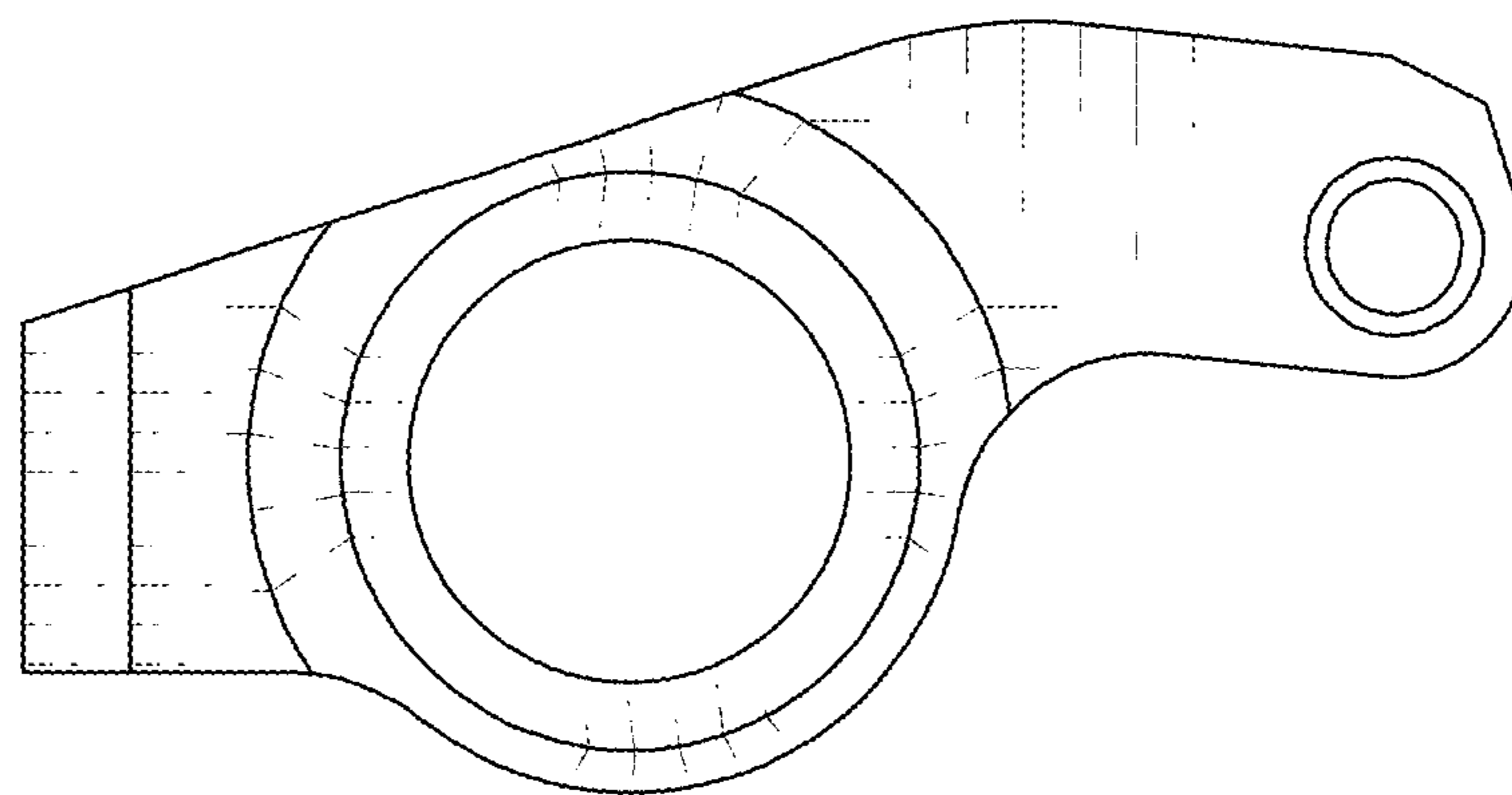


FIG. 3

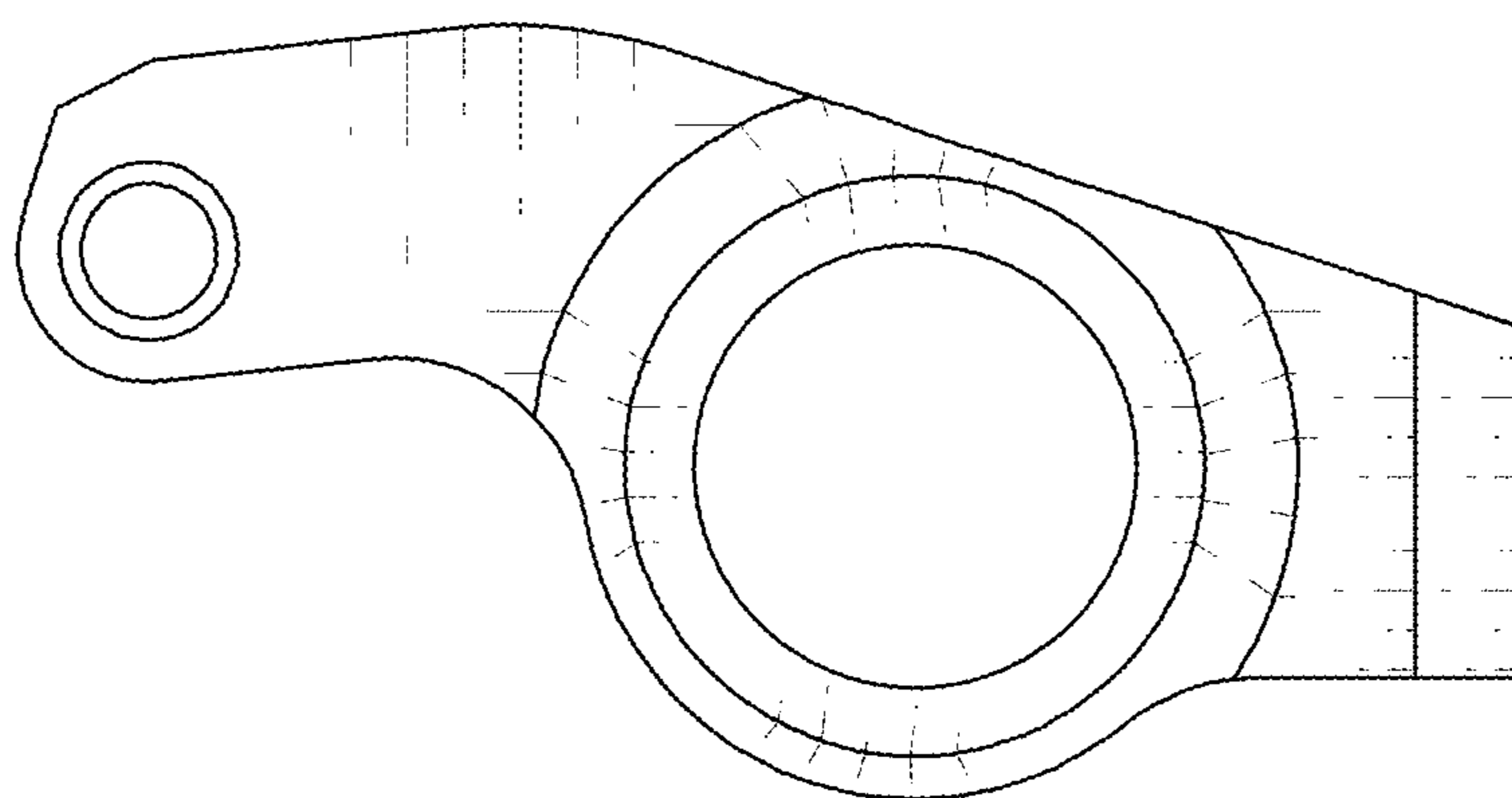


FIG. 4

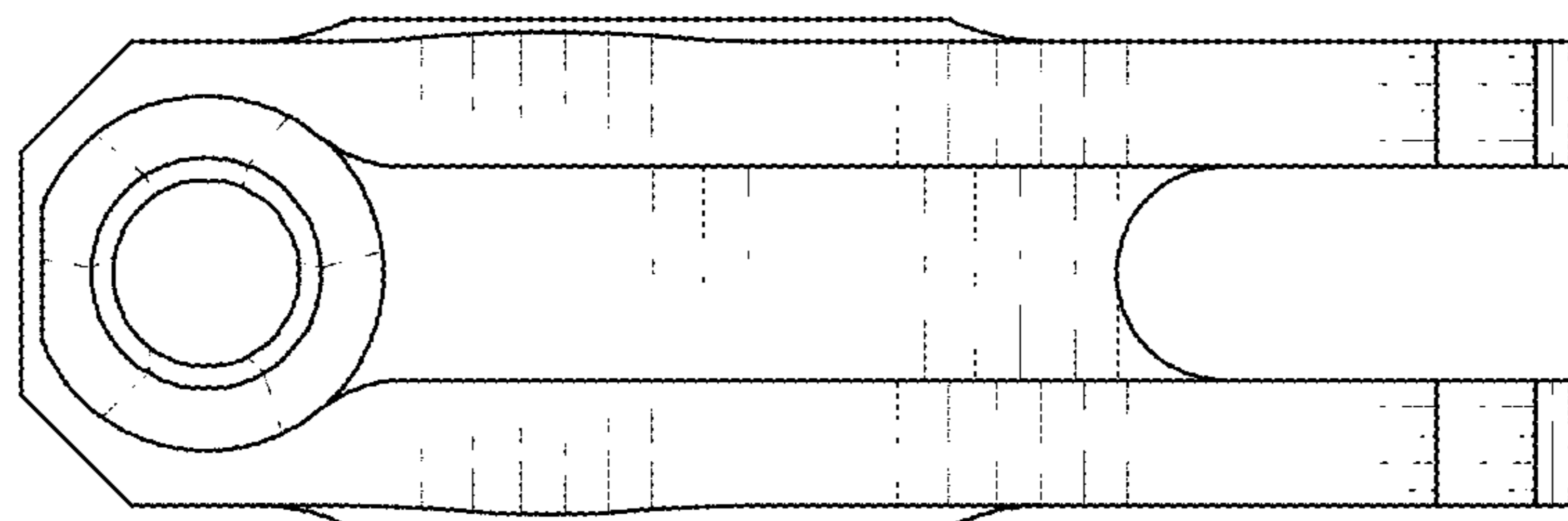


FIG. 5

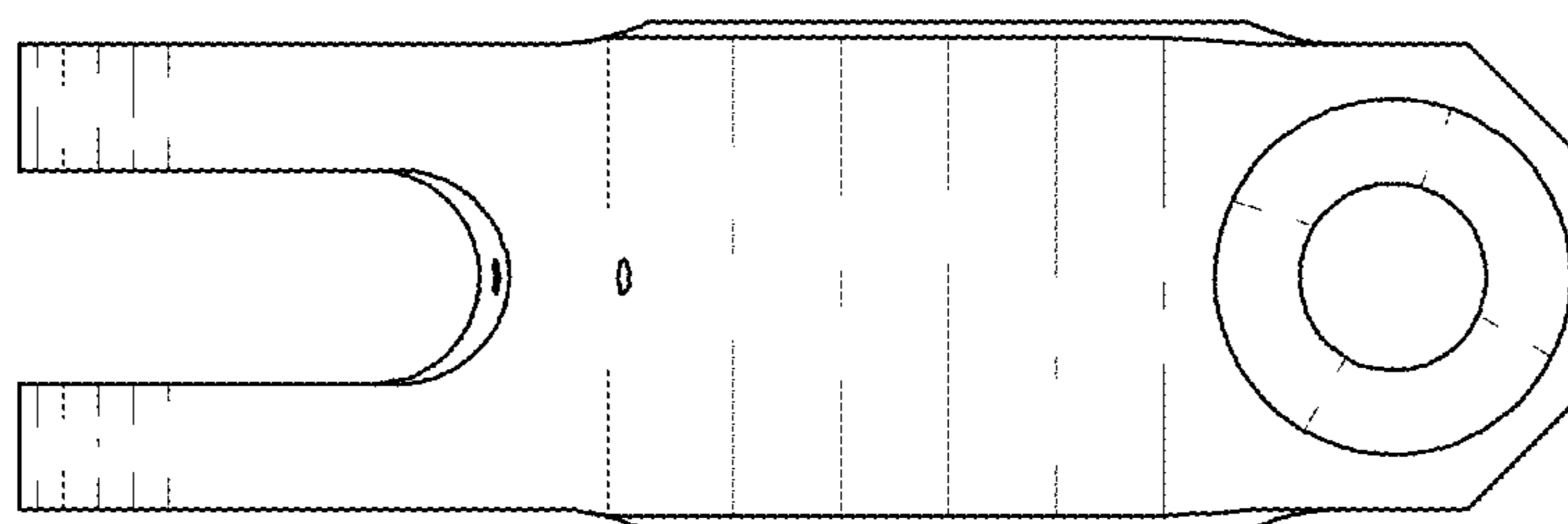


FIG. 6

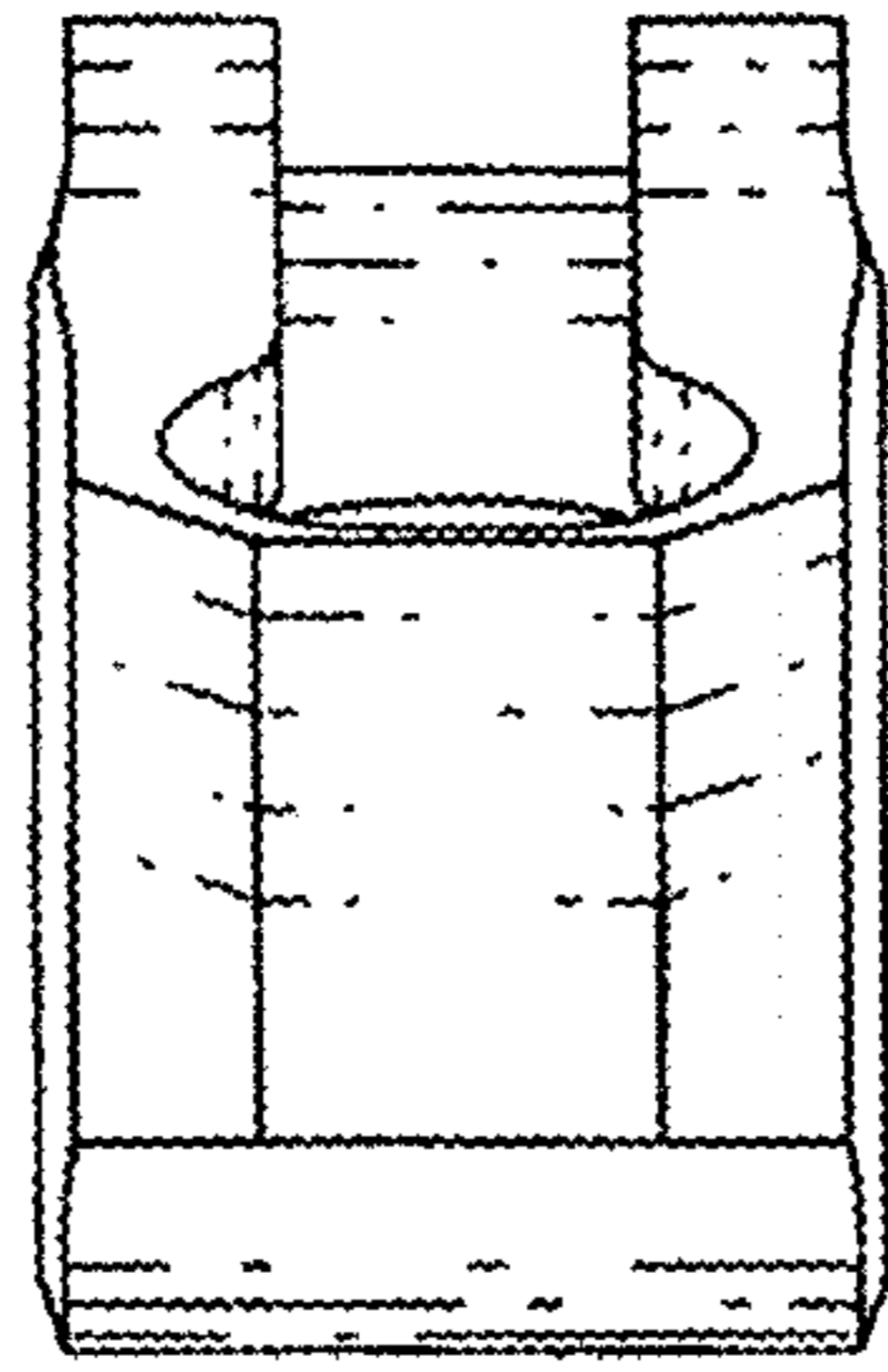


FIG. 7

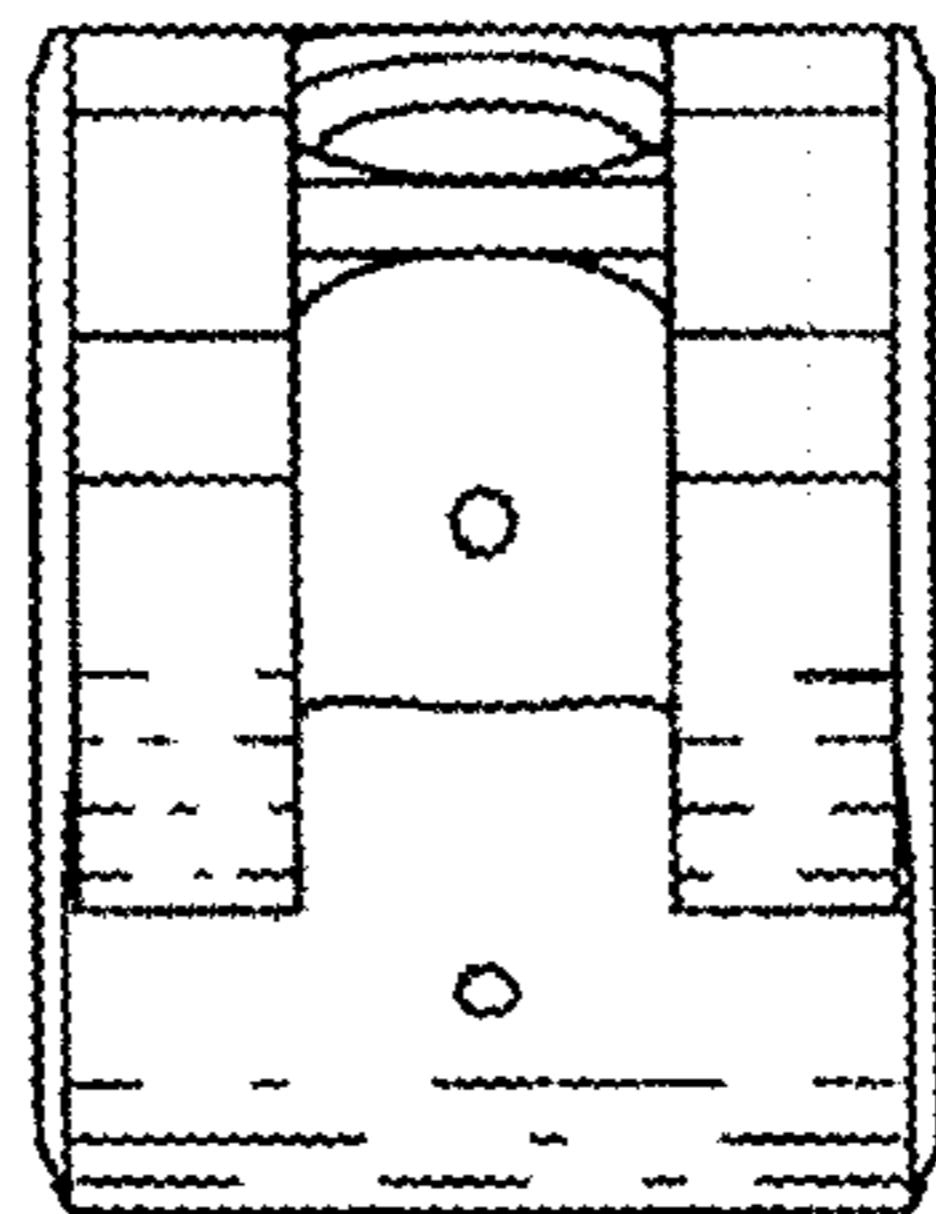


FIG. 8