



US00D820319S

(12) **United States Design Patent**
Mullins et al.

(10) **Patent No.:** **US D820,319 S**
(45) **Date of Patent:** **** Jun. 12, 2018**

(54) **ELECTRONIC DEVICE**

(71) Applicant: **DAQRI, LLC**, Los Angeles, CA (US)

(72) Inventors: **Brian Mullins**, Altadena, CA (US);
Christopher Broaddus, Santa Clara, CA (US); **Muzaffer Kal**, Richmond, CA (US); **Wenyi Zhao**, Mountain View, CA (US); **Ali M. Tatari**, Hayward, CA (US); **Saud Akram**, Santa Clara, CA (US); **Pip Tompkin**, Los Angeles, CA (US); **Denny Liao**, Irvine, CA (US); **Madison Smith**, Hermosa Beach, CA (US); **Samuel McClellan**, Venice, CA (US)

(73) Assignee: **DAQRI, LLC**, Los Angeles, CA (US)

(**) Term: **15 Years**

(21) Appl. No.: **29/601,400**

(22) Filed: **Apr. 21, 2017**

(51) **LOC (11) Cl.** **14-03**

(52) **U.S. Cl.**
USPC **D14/496; D14/203.6; D14/203.3**

(58) **Field of Classification Search**
USPC **D14/496, 401, 435, 474, 483, 217, 137, D14/138, 160, 168, 356, 203.1–203.8,**
(Continued)

(56) **References Cited**

U.S. PATENT DOCUMENTS

4,843,624 A * 6/1989 Rashak H04R 1/02
181/199
5,883,859 A * 3/1999 Bentley G04G 13/021
368/10

(Continued)

Primary Examiner — Prabhakar Deshmukh

(74) *Attorney, Agent, or Firm* — Schwegman Lundberg & Woessner, P.A.

(57) **CLAIM**

The ornamental design for an electronic device, as shown and described.

DESCRIPTION

FIG. 1 is a top-left-front perspective view of an electronic device, showing our new design, according to a first embodiment thereof.

FIG. 2 is a front elevational view of the first embodiment thereof.

FIG. 3 is a rear elevational view of the first embodiment thereof.

FIG. 4 is a right side view of the first embodiment thereof.

FIG. 5 is a left side view of the first embodiment thereof.

FIG. 6 is a top plan view of the first embodiment thereof.

FIG. 7 is a bottom plan view of the first embodiment thereof.

FIG. 8 is a top-right-front perspective view of the first embodiment thereof.

FIG. 9 is a bottom-left-front perspective view of the first embodiment thereof.

FIG. 10 is a top-right-rear perspective view of the first embodiment thereof.

FIG. 11 is a bottom-left-rear perspective view of the first embodiment thereof.

FIG. 12 is a top-left-front perspective view of an electronic device, showing our new design, according to a second embodiment thereof.

FIG. 13 is a front elevational view of the second embodiment thereof.

FIG. 14 is a rear elevational view of the second embodiment thereof.

FIG. 15 is a right side view of the second embodiment thereof.

FIG. 16 is a left side view of the second embodiment thereof.

FIG. 17 is a top plan view of the second embodiment thereof.

FIG. 18 is a bottom plan view of the second embodiment thereof.

FIG. 19 is a top-right-front perspective view of the second embodiment thereof.

FIG. 20 is a bottom-left-front perspective view of the second embodiment thereof.

(Continued)

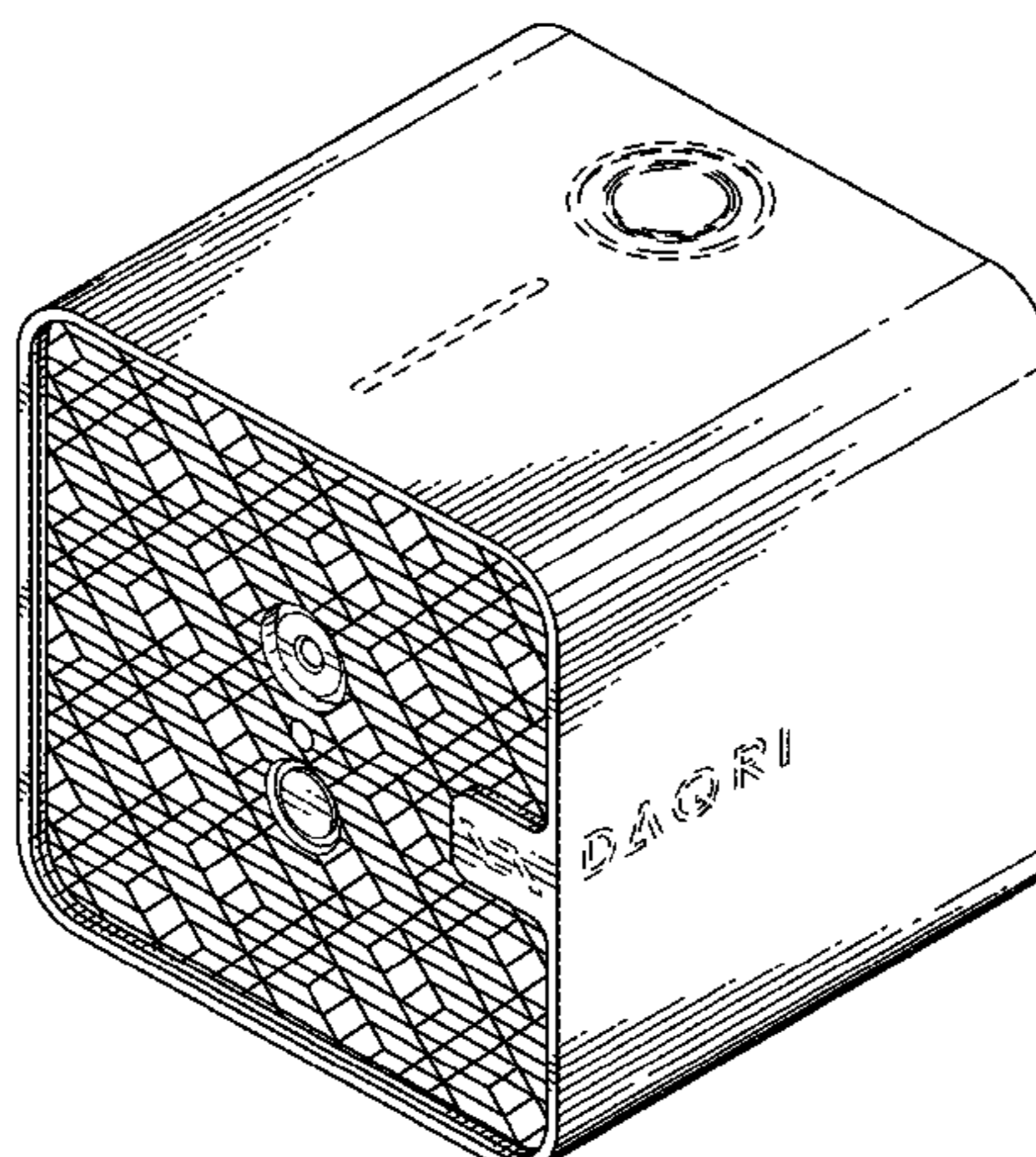


FIG. 21 is a top-right-rear perspective view of the second embodiment thereof; and,

FIG. 22 is a bottom-left-rear perspective view of the second embodiment thereof.

In FIGS. 1-3 and FIGS. 5-11, the broken lines showing of various features on the top, left, front, rear, and bottom of the electronic device and unshaded areas therein are for the purpose of illustrating environmental structure, and the broken lines form no part of the claimed design. In FIGS. 12-15 and FIGS. 17-22, the broken lines showing of various features on the top, right, front, rear, and bottom of the electronic device and unshaded areas therein are for the purpose of illustrating environmental structure, and the broken lines form no part of the claimed design.

1 Claim, 12 Drawing Sheets

(58) **Field of Classification Search**

USPC D14/507; 345/156, 169, 173-179, 905;
715/727-729, 864; 710/1, 5, 8; 713/1,
713/600; 455/1.1, 1.7, 73, 344-347, 93,

455/95, 3.01-3.06, 550.1, 573.1;
370/342-344; 369/1, 2, 6-12;
463/43-47; 273/148 B

CPC .. A63F 13/00; A63F 11/00; A63F 2300/8047;
G06F 17/00

See application file for complete search history.

(56)

References Cited

U.S. PATENT DOCUMENTS

5,914,707	A *	6/1999	Kono	G06K 19/08 345/173
6,565,444	B2 *	5/2003	Nagata	G06F 1/20 361/695
D478,327	S *	8/2003	Rozier	D14/188
6,955,606	B2 *	10/2005	Taho	A63F 13/10 463/1
7,090,582	B2 *	8/2006	Danieli	A63F 13/12 463/35
D540,304	S *	4/2007	Tse	D14/207
D572,232	S *	7/2008	Joseph	D14/188
D580,952	S *	11/2008	Liu	D14/496
D596,196	S *	7/2009	Laituri	D14/168
D721,738	S *	1/2015	Hochman	D14/496
D726,766	S *	4/2015	Goodner	D14/188

* cited by examiner

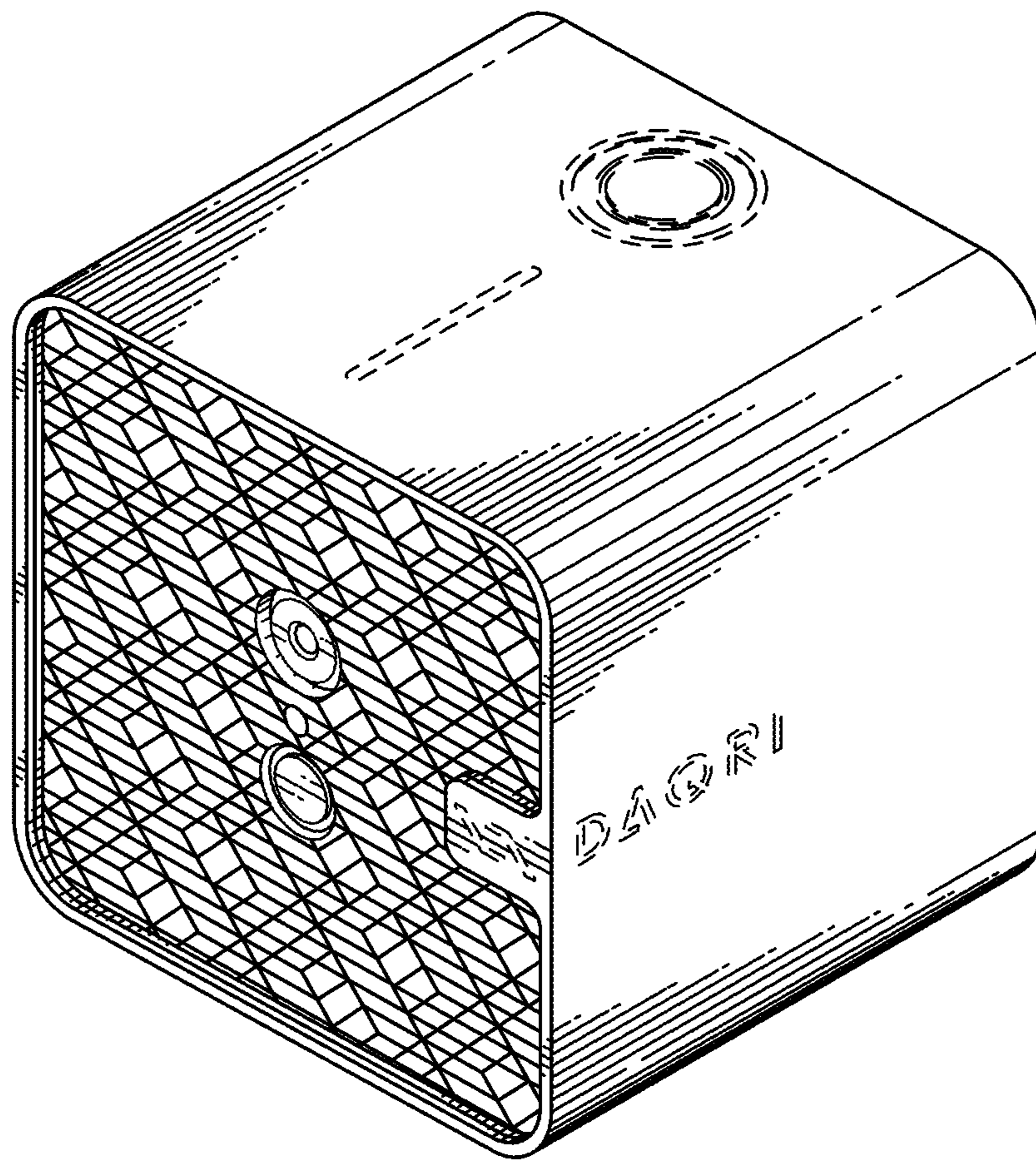


FIG. 1

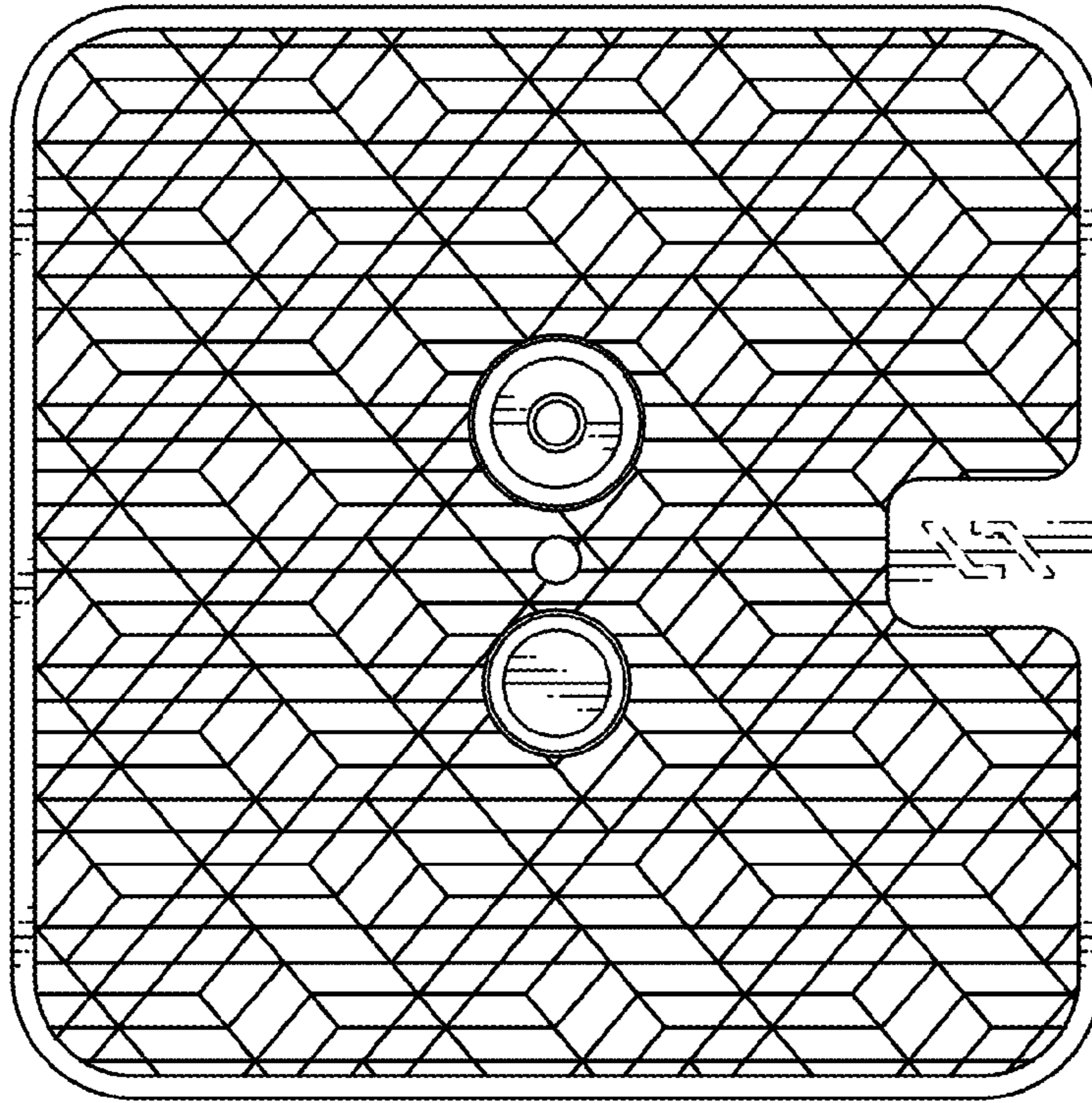


FIG. 2

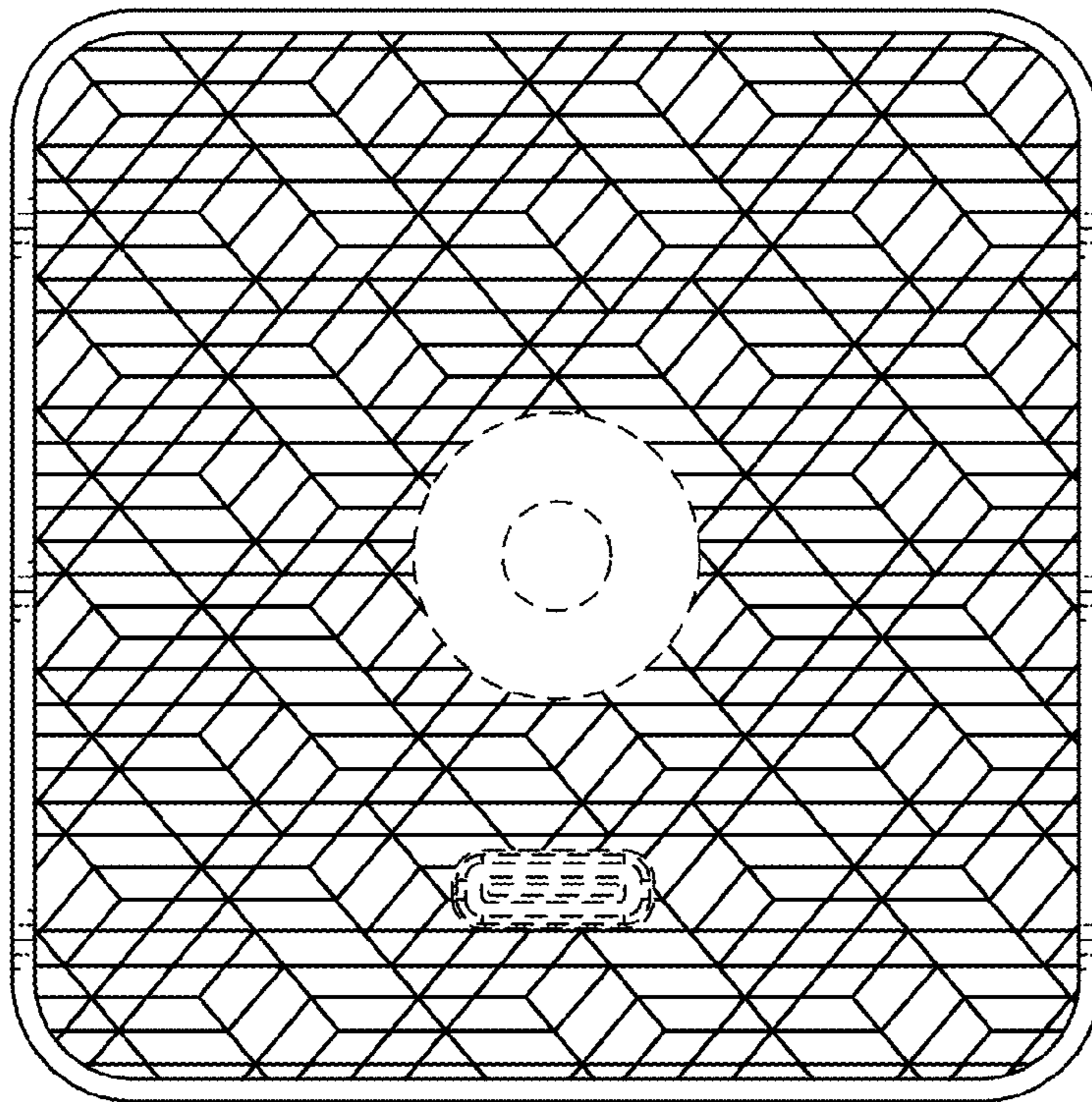


FIG. 3

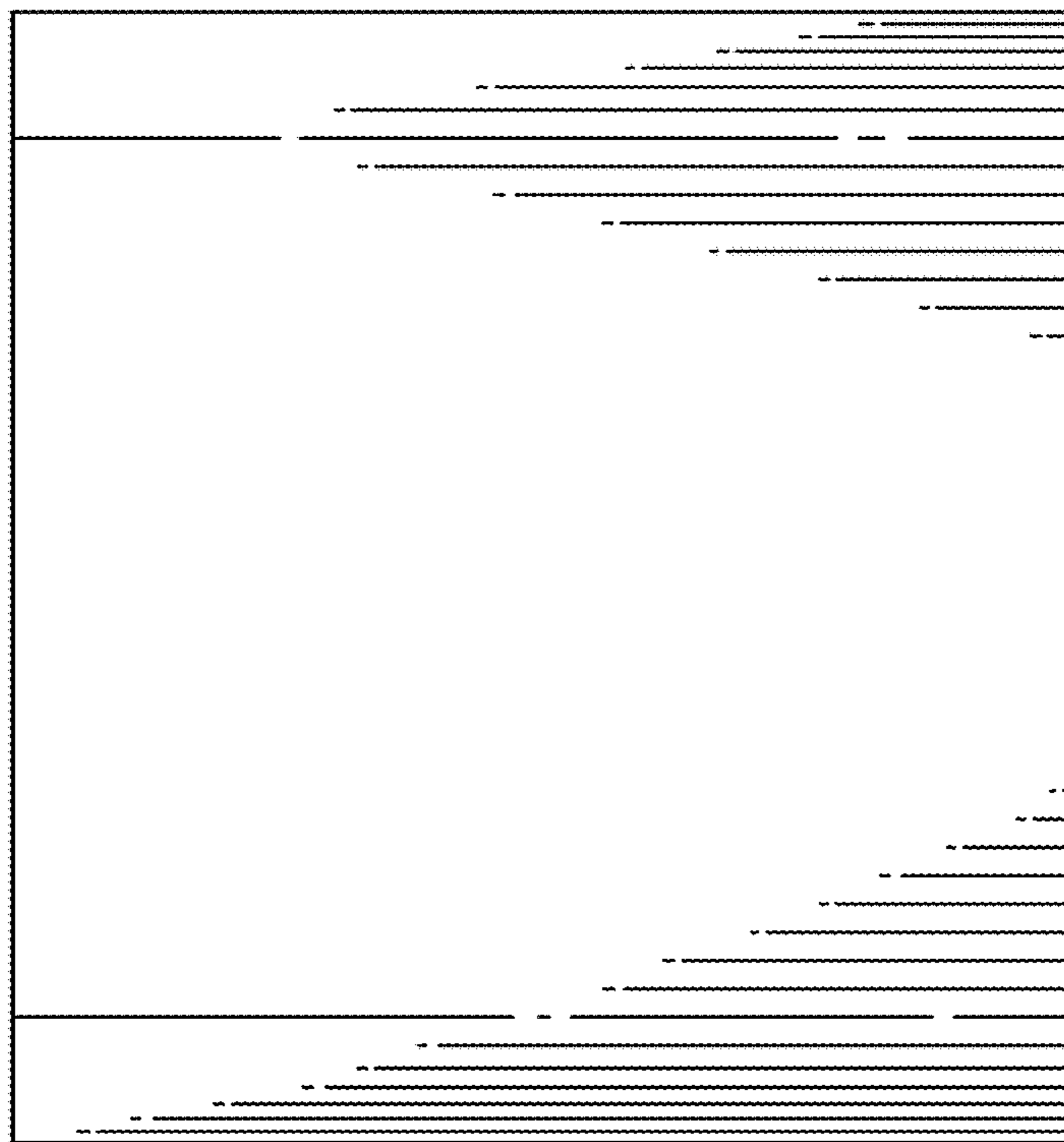


FIG. 4



FIG. 5

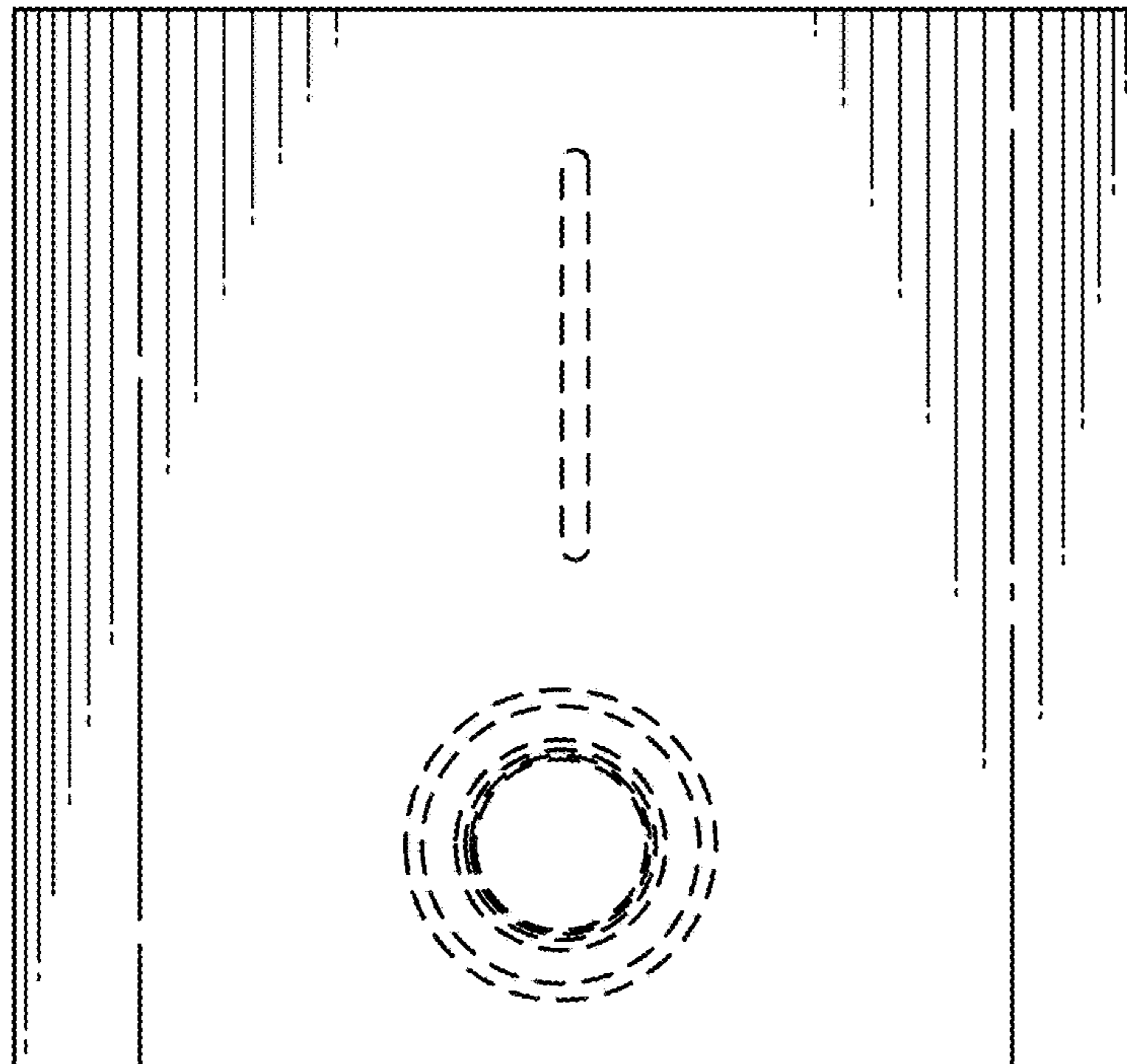


FIG. 6

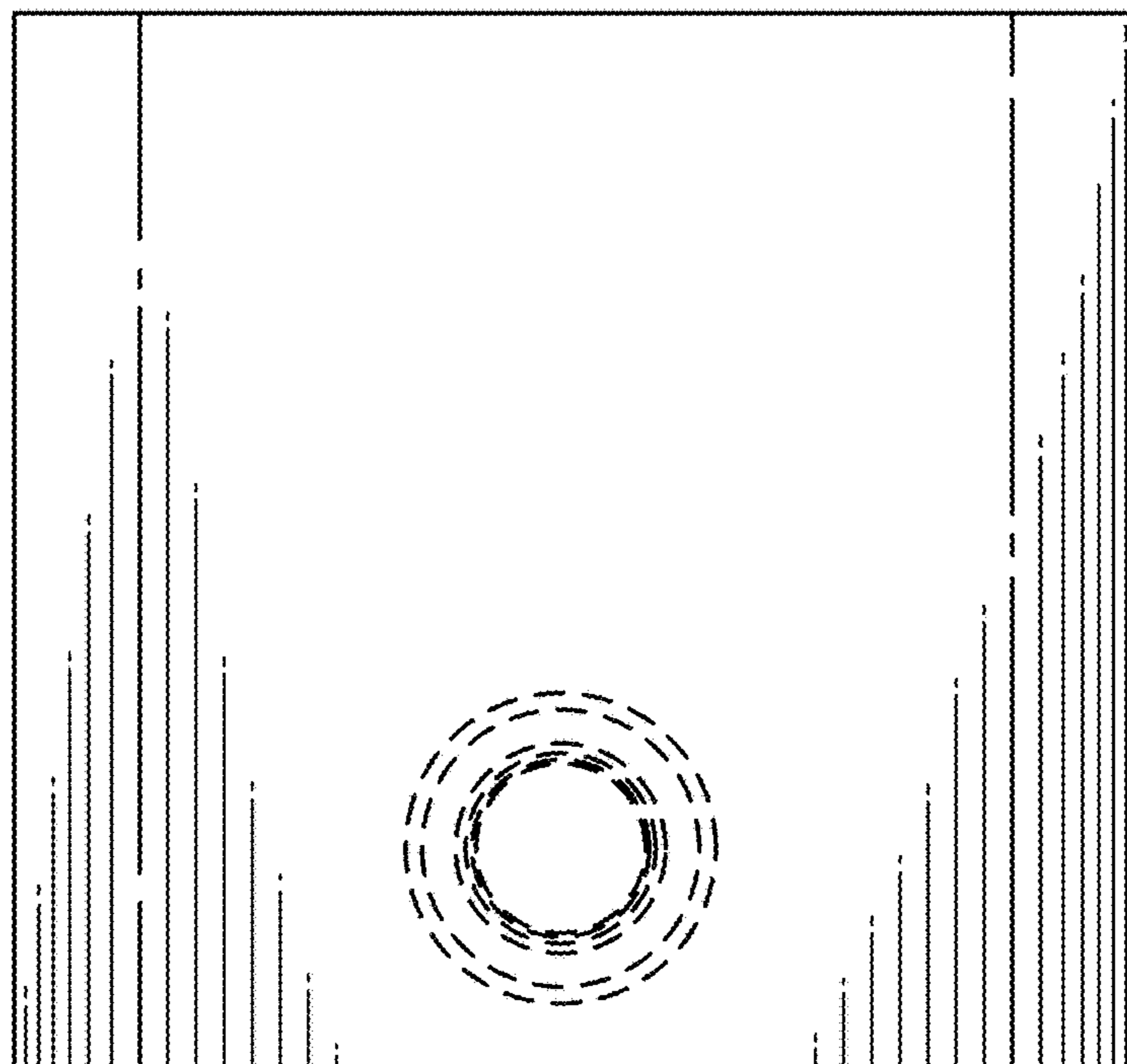


FIG. 7

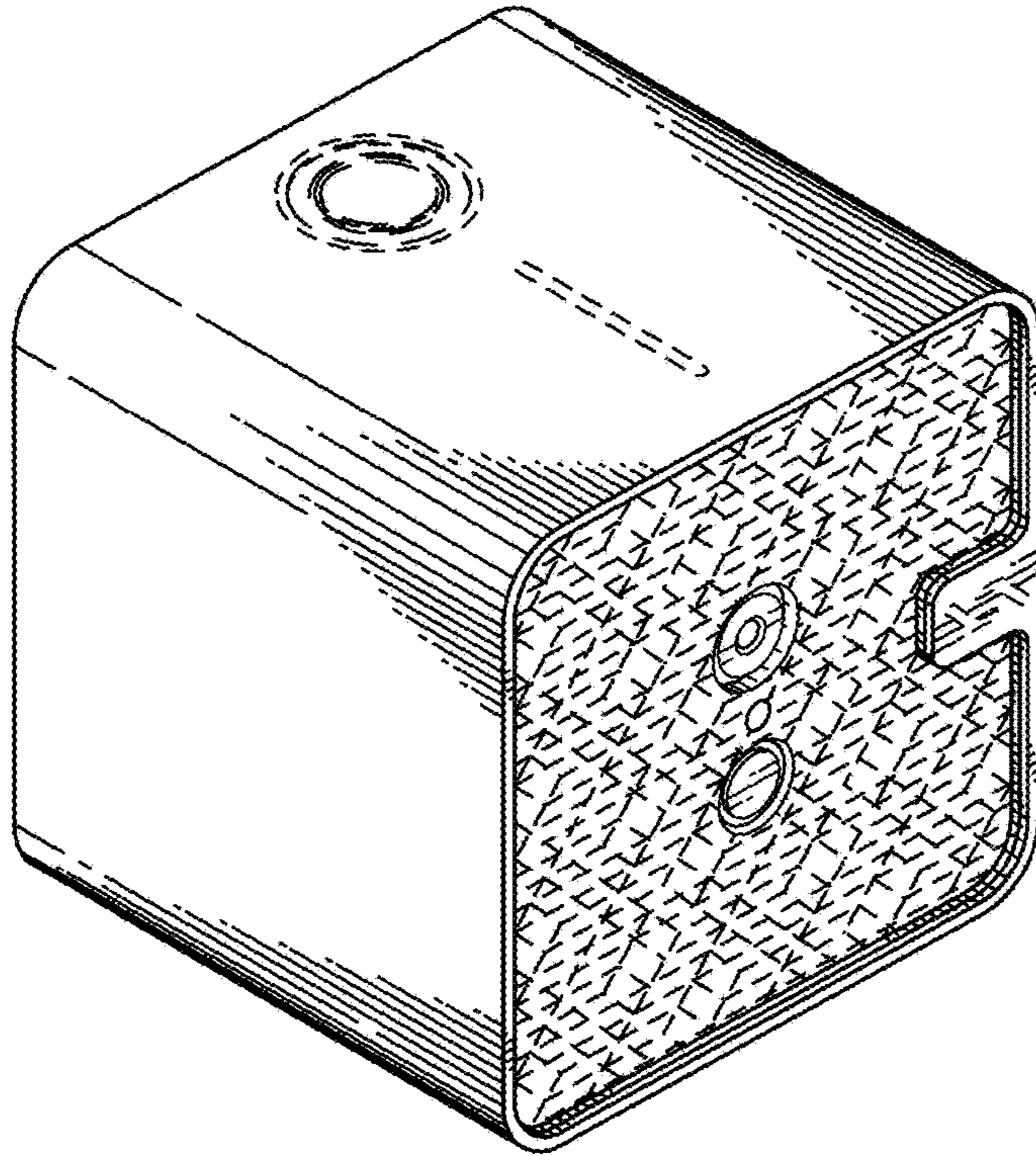


FIG. 8

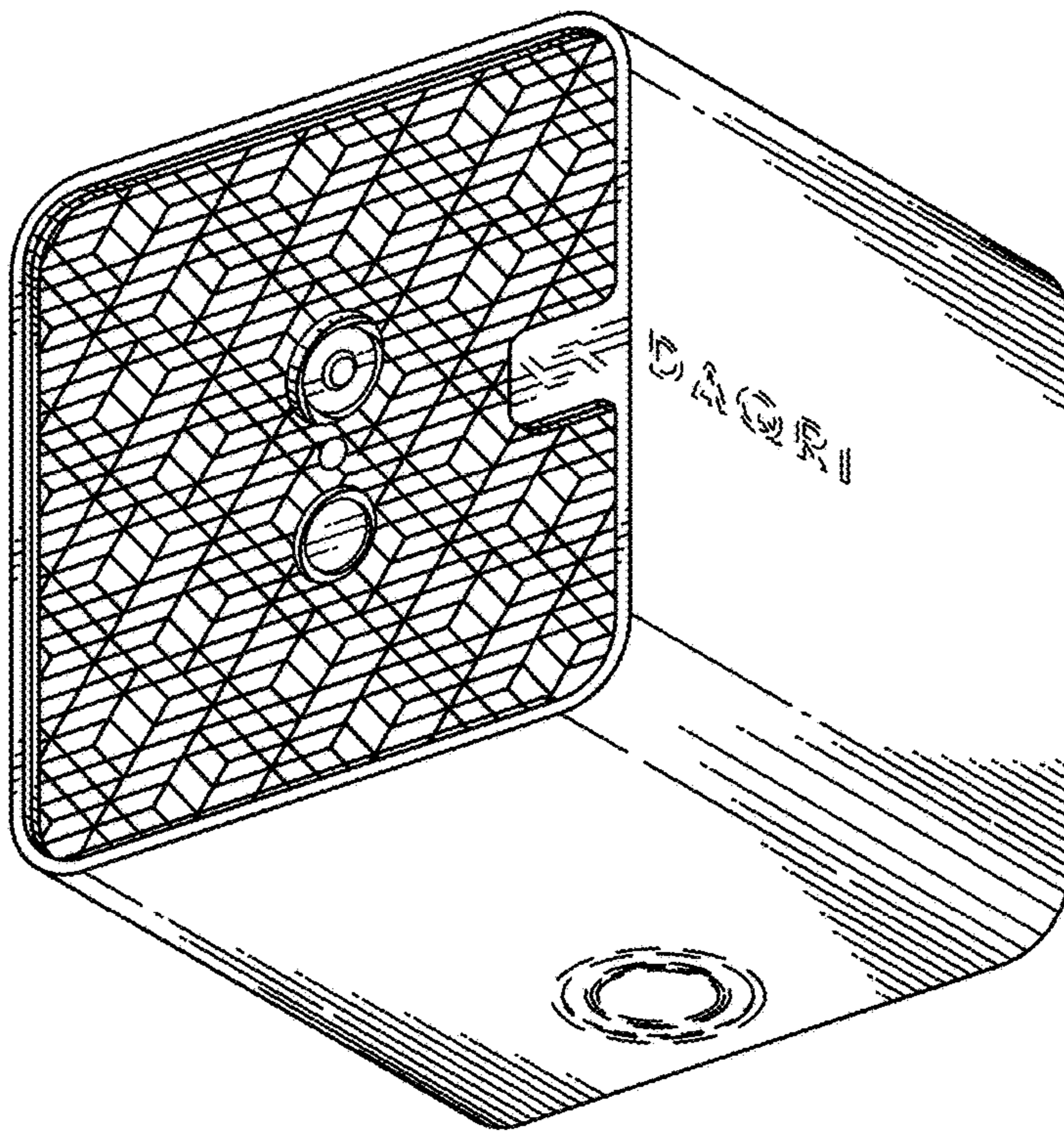


FIG. 9

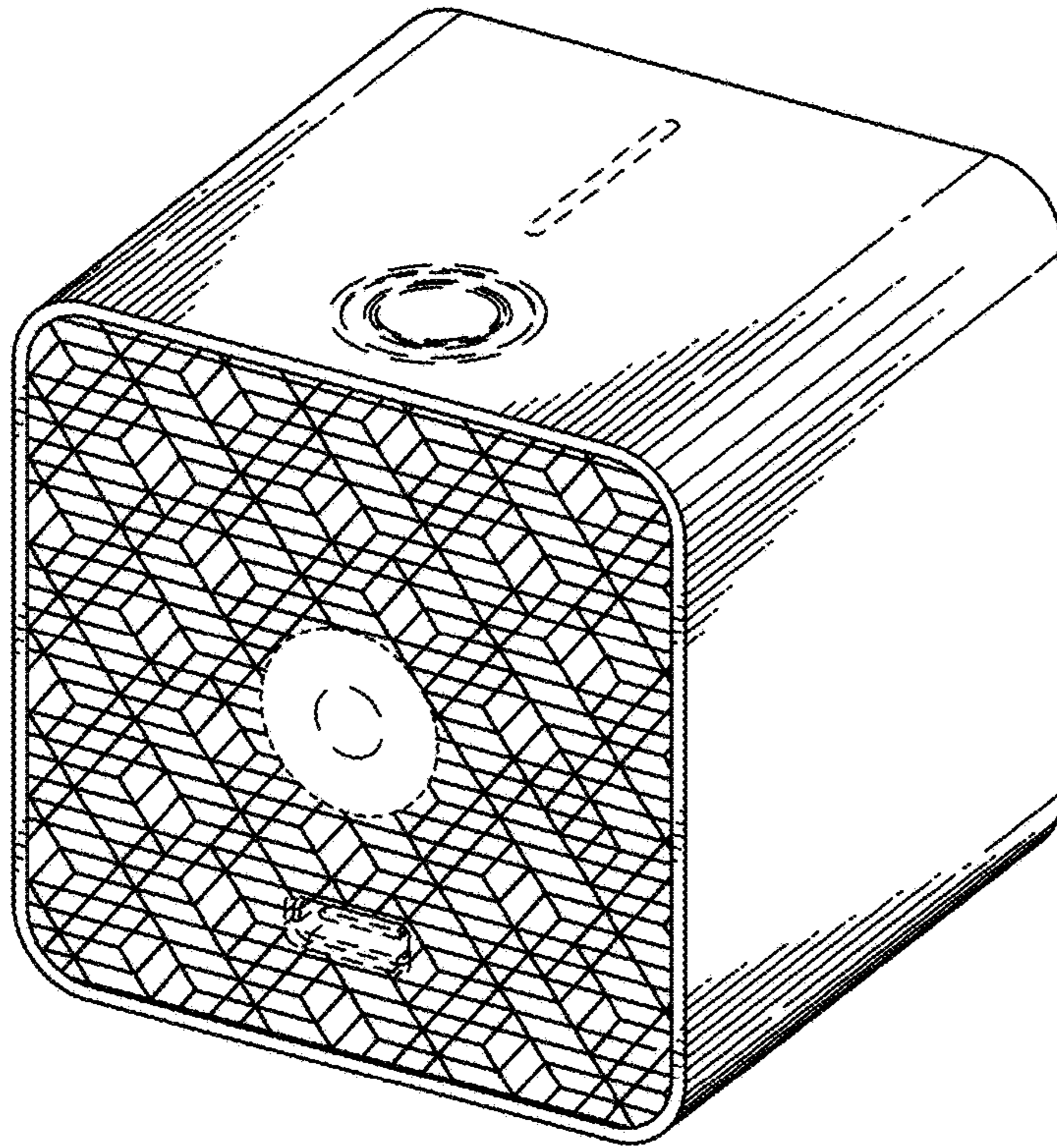


FIG. 10

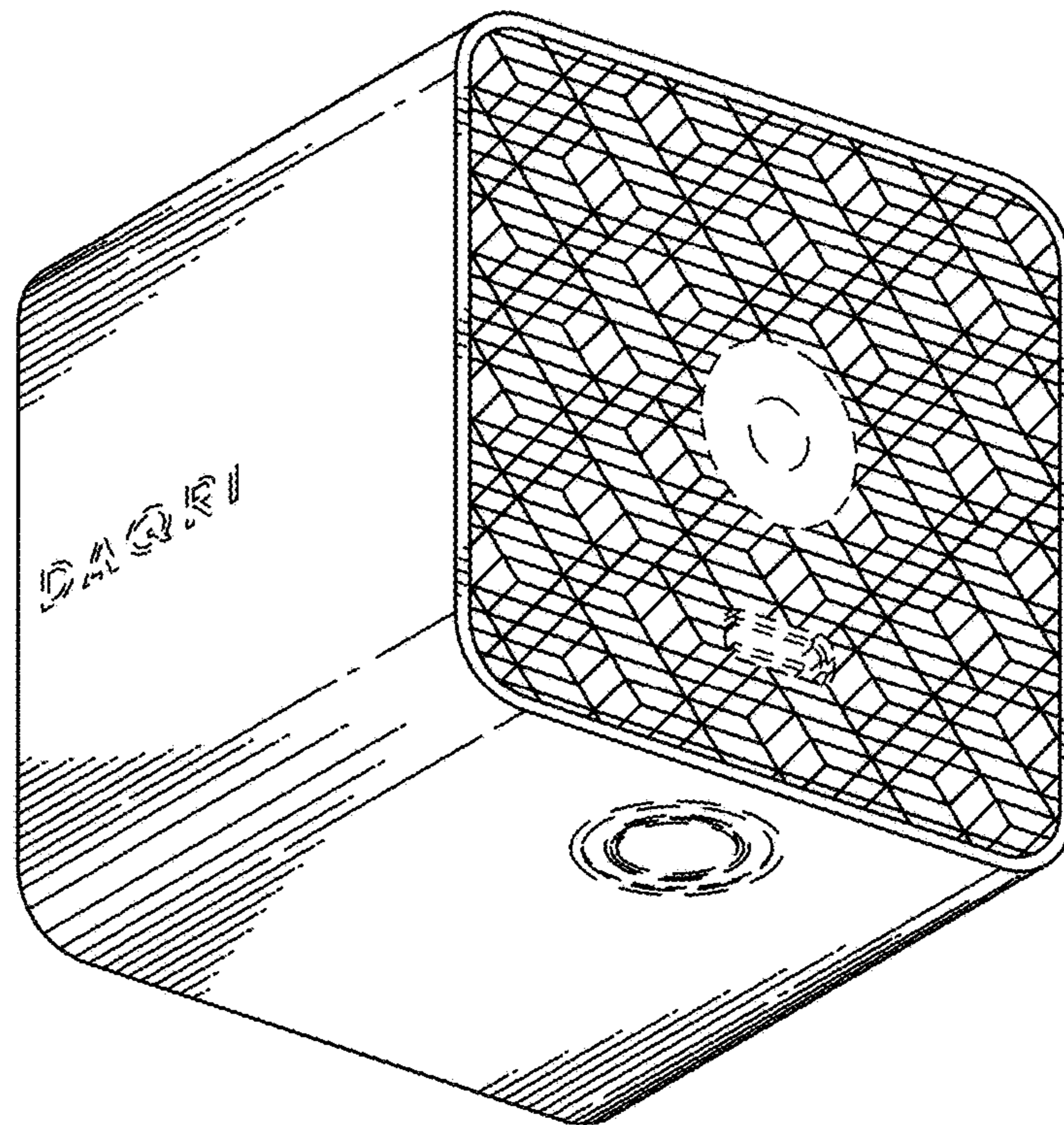


FIG. 11

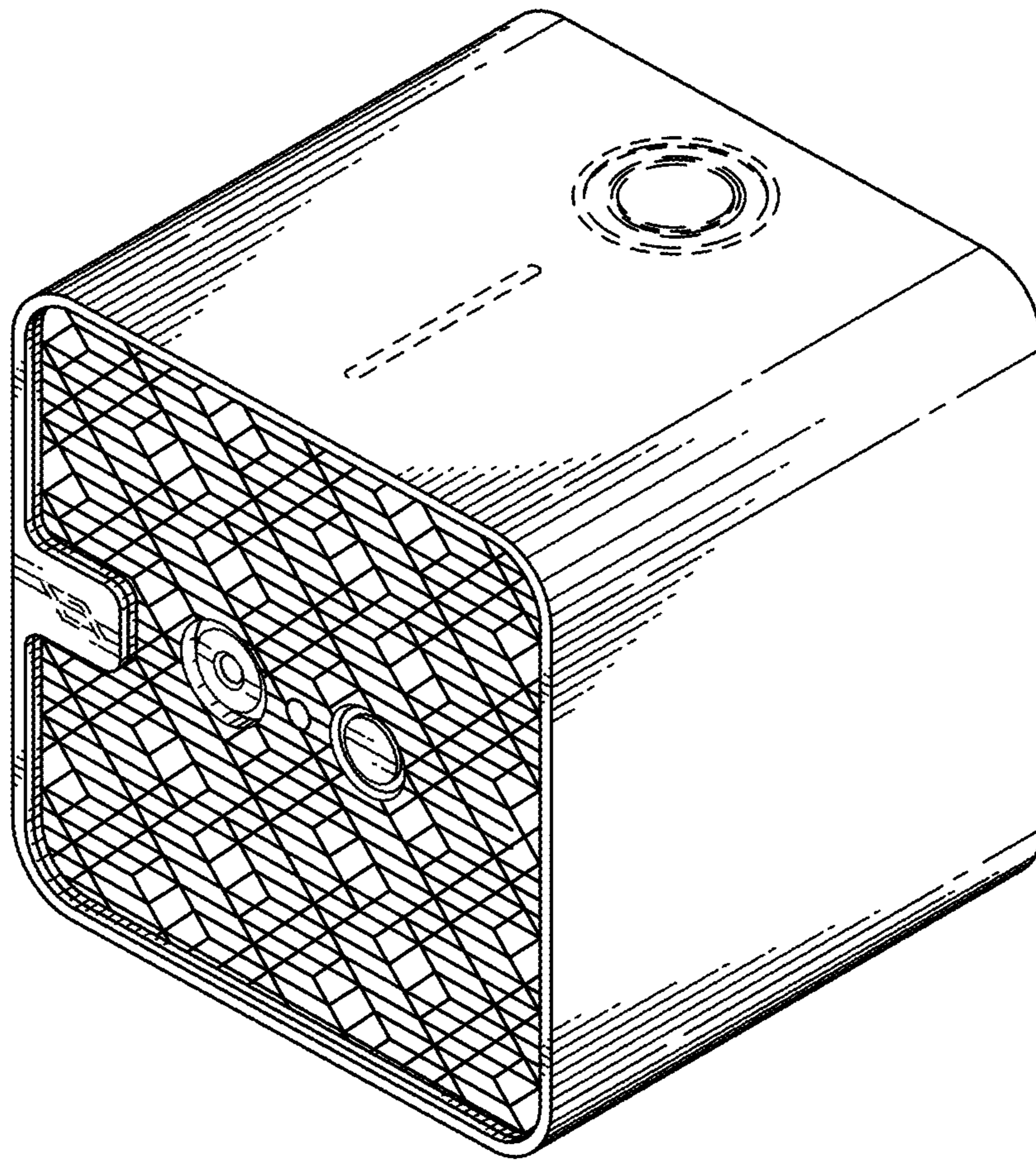


FIG. 12

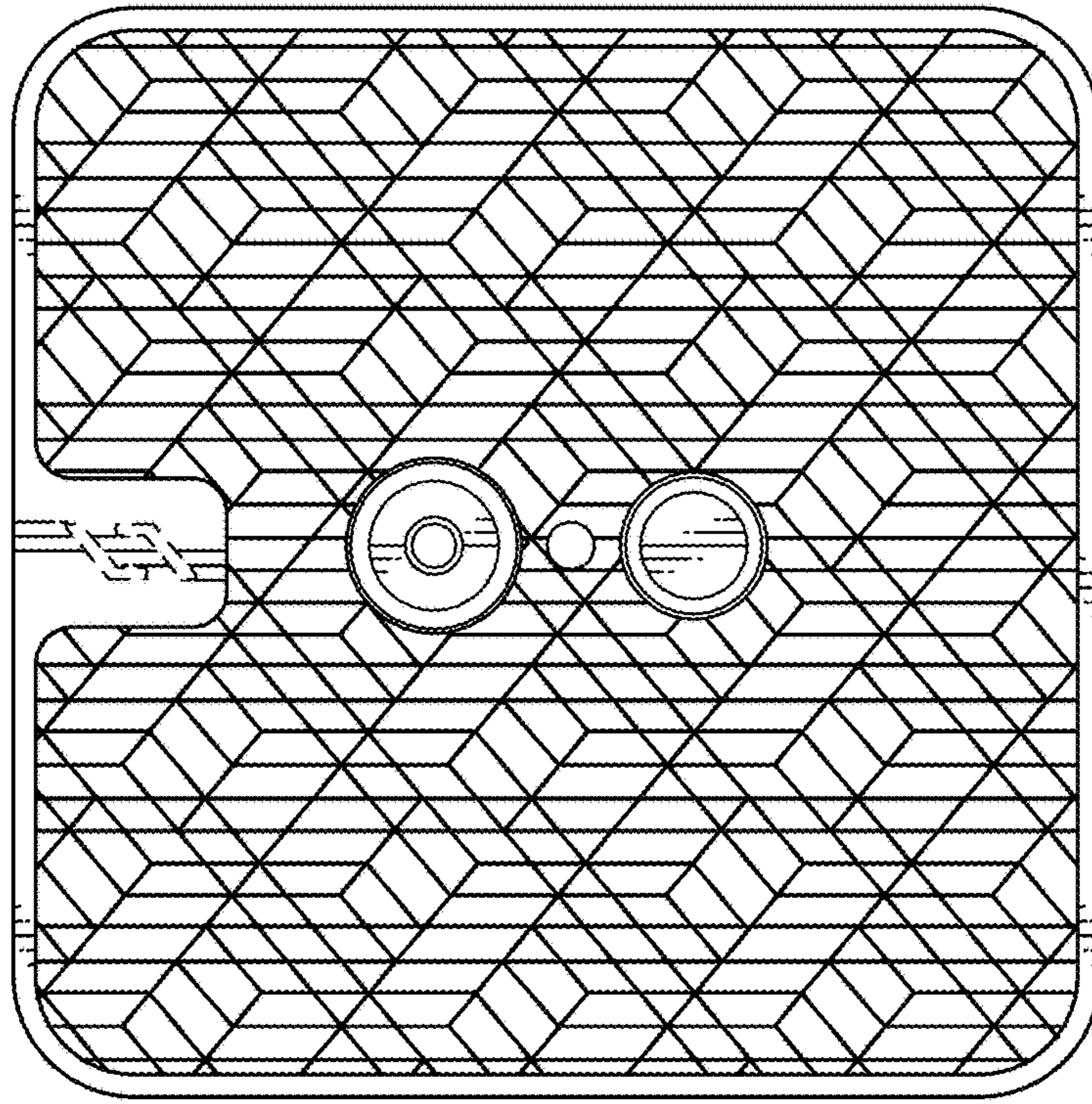


FIG. 13

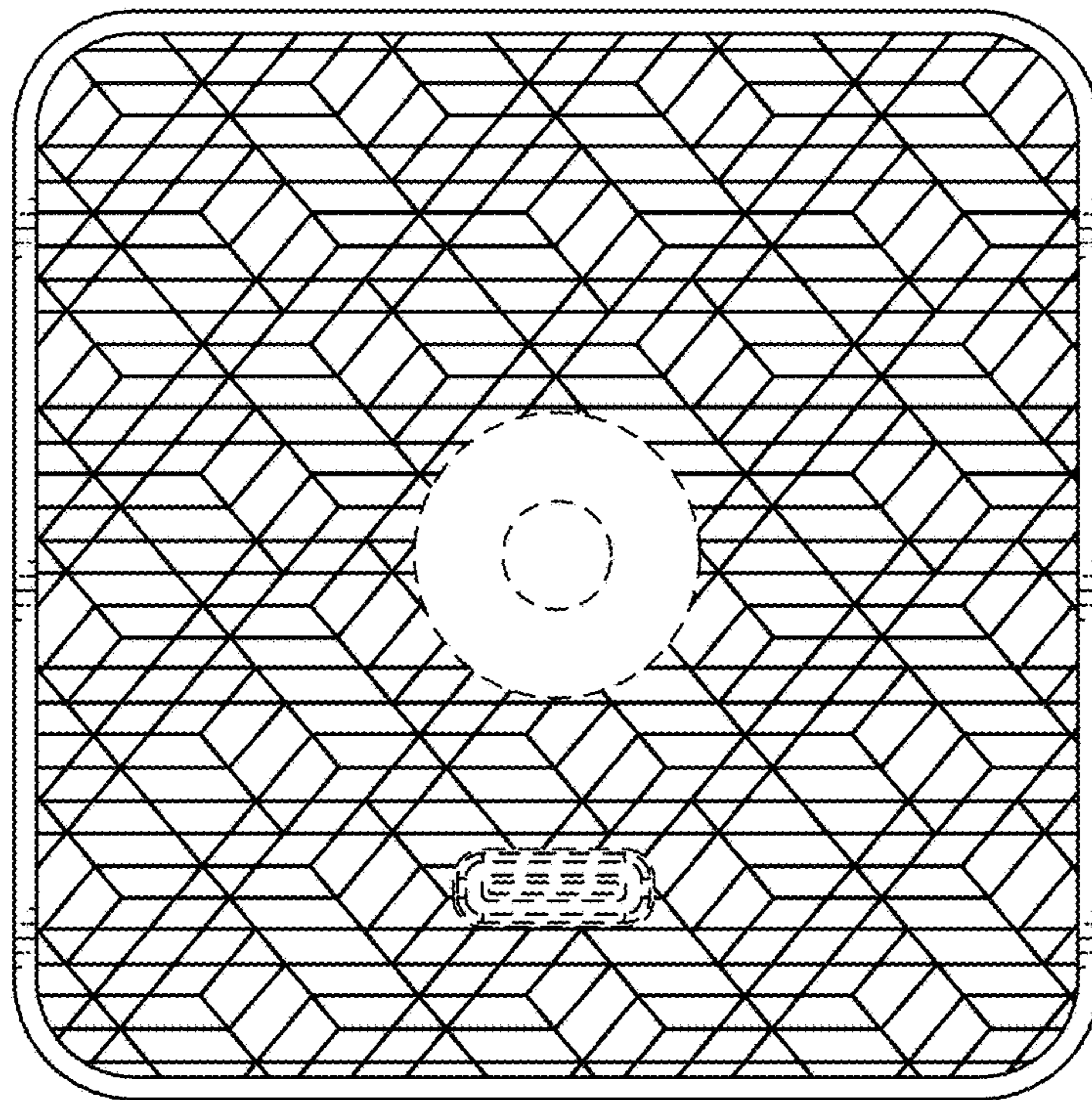


FIG. 14



FIG. 15

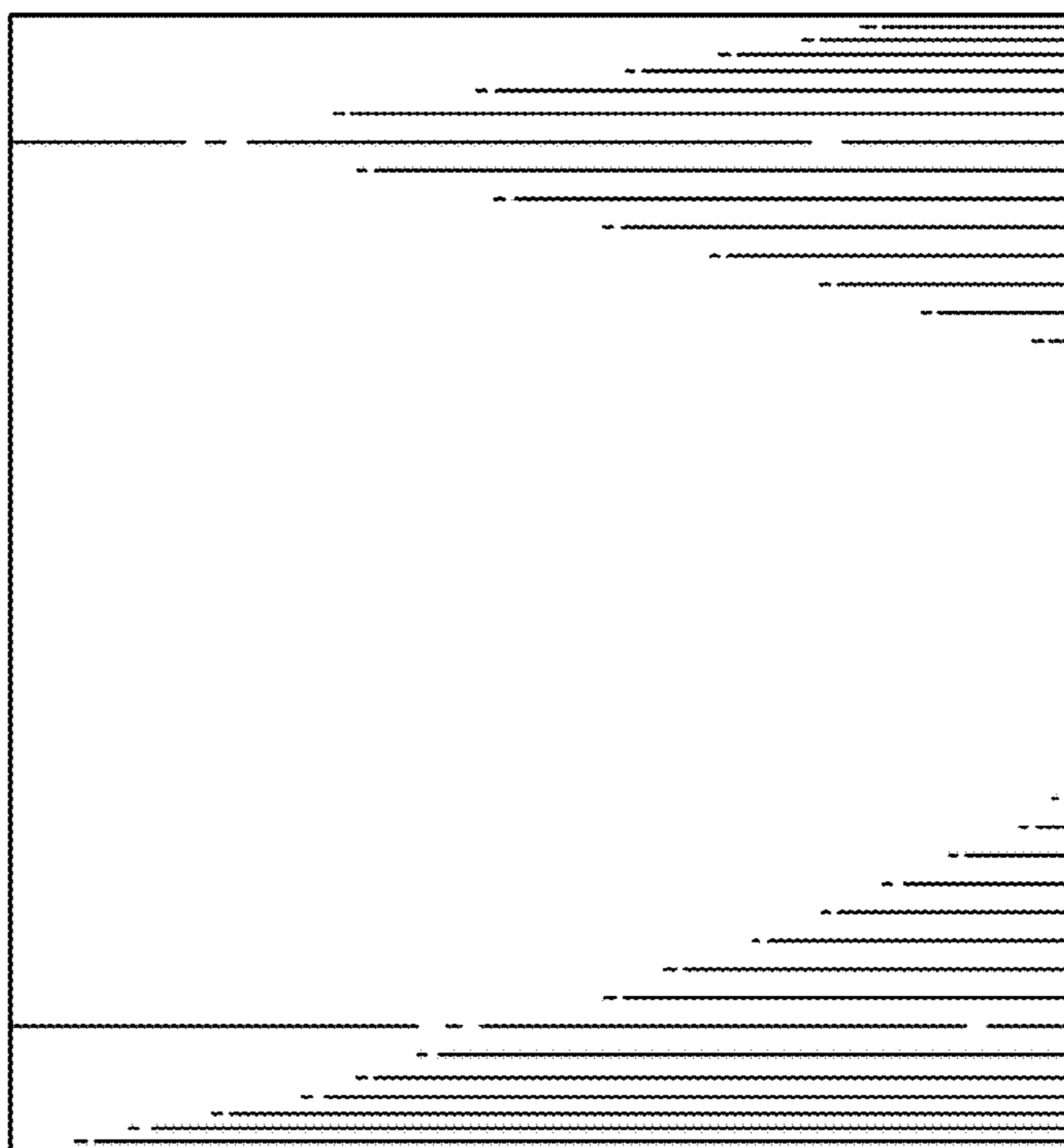


FIG. 16

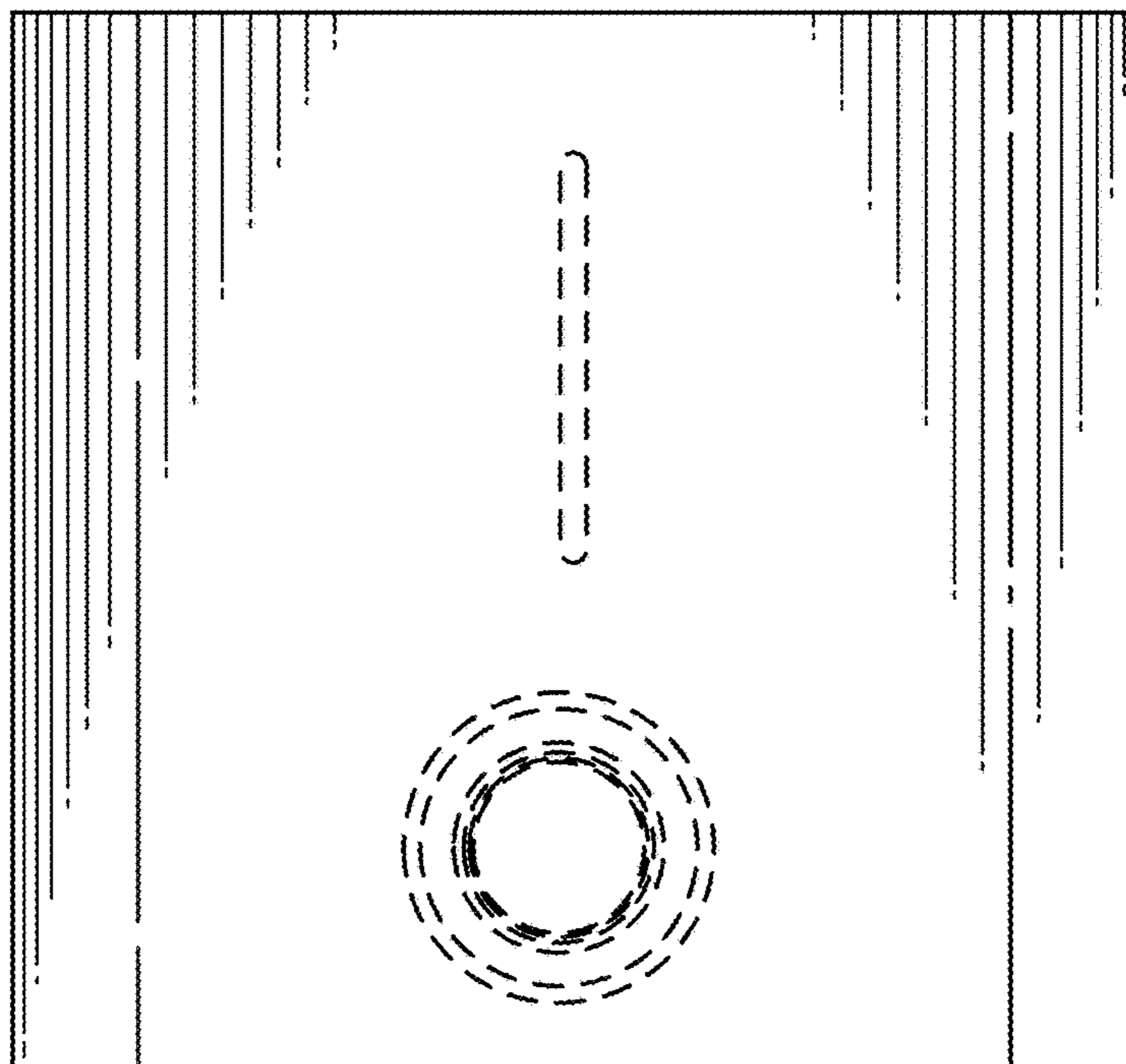


FIG. 17

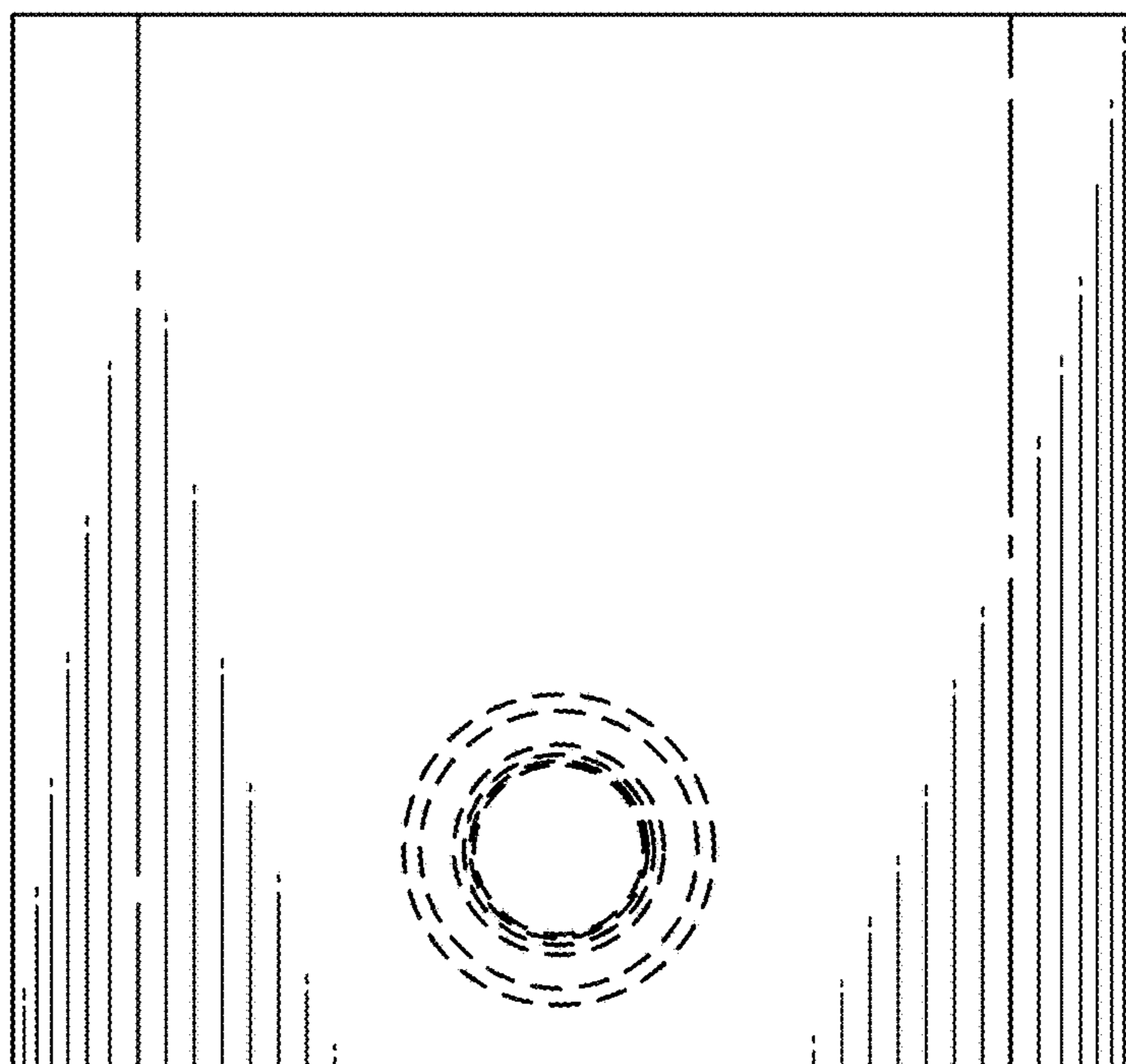


FIG. 18

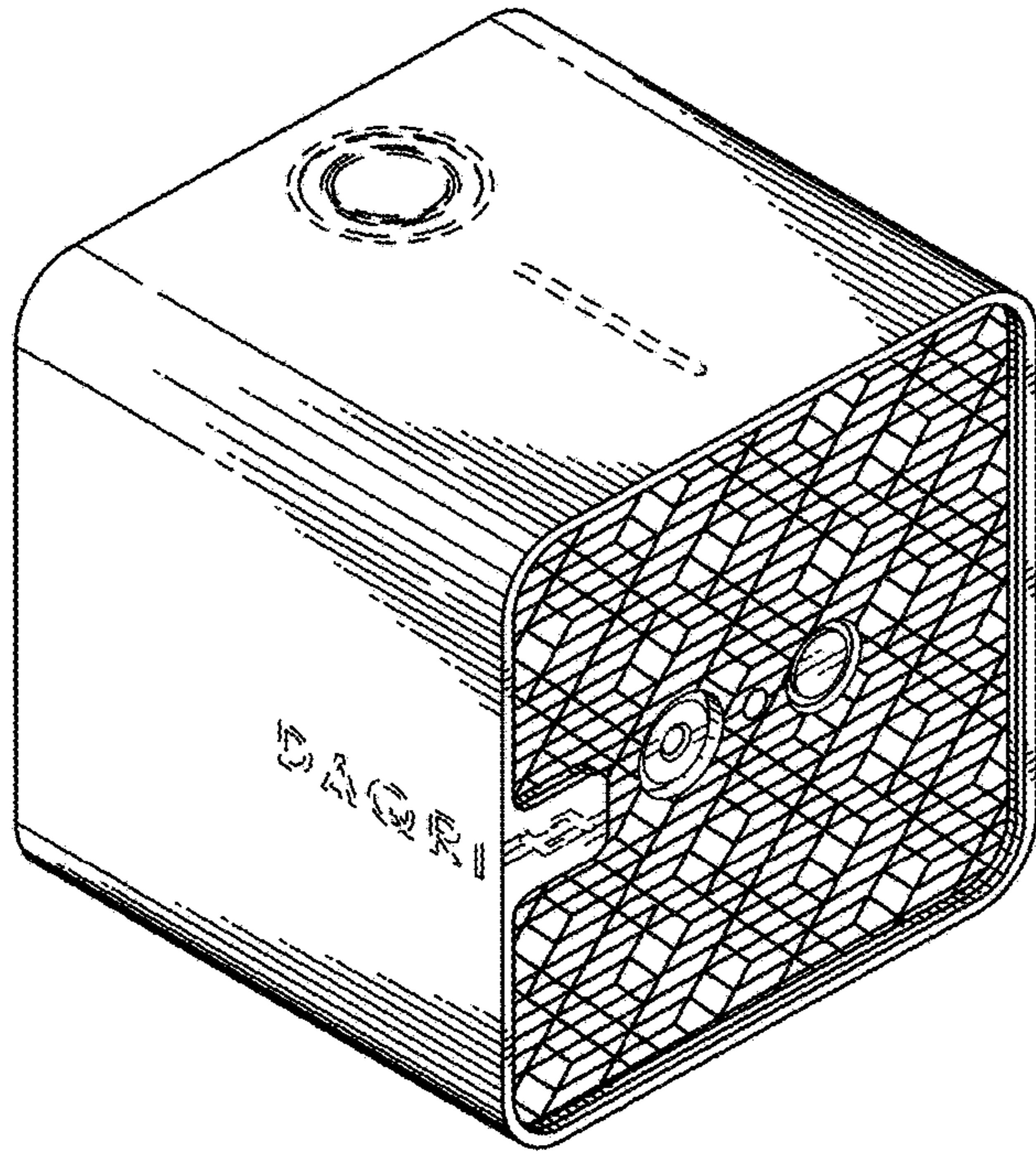


FIG. 19

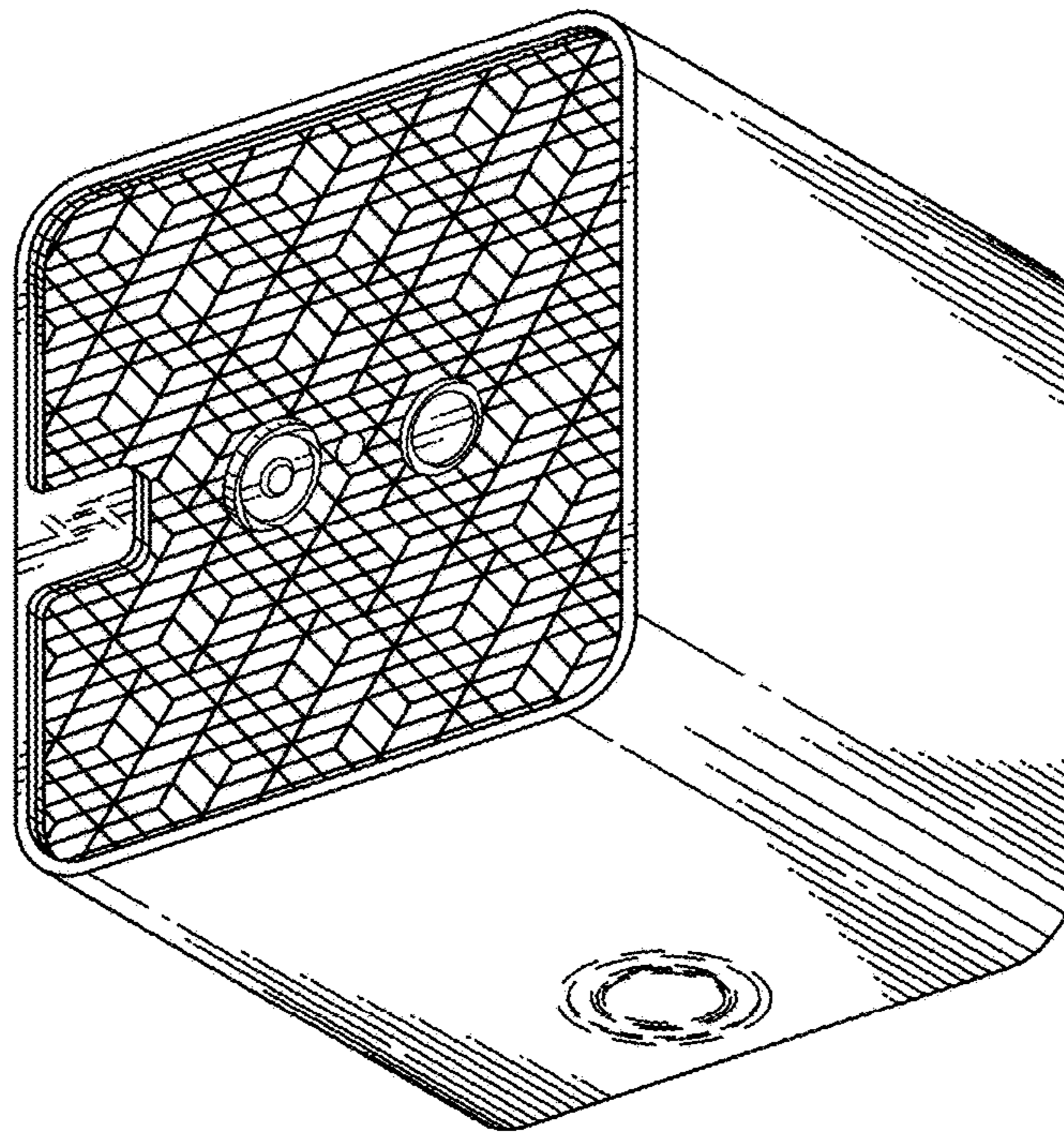


FIG. 20

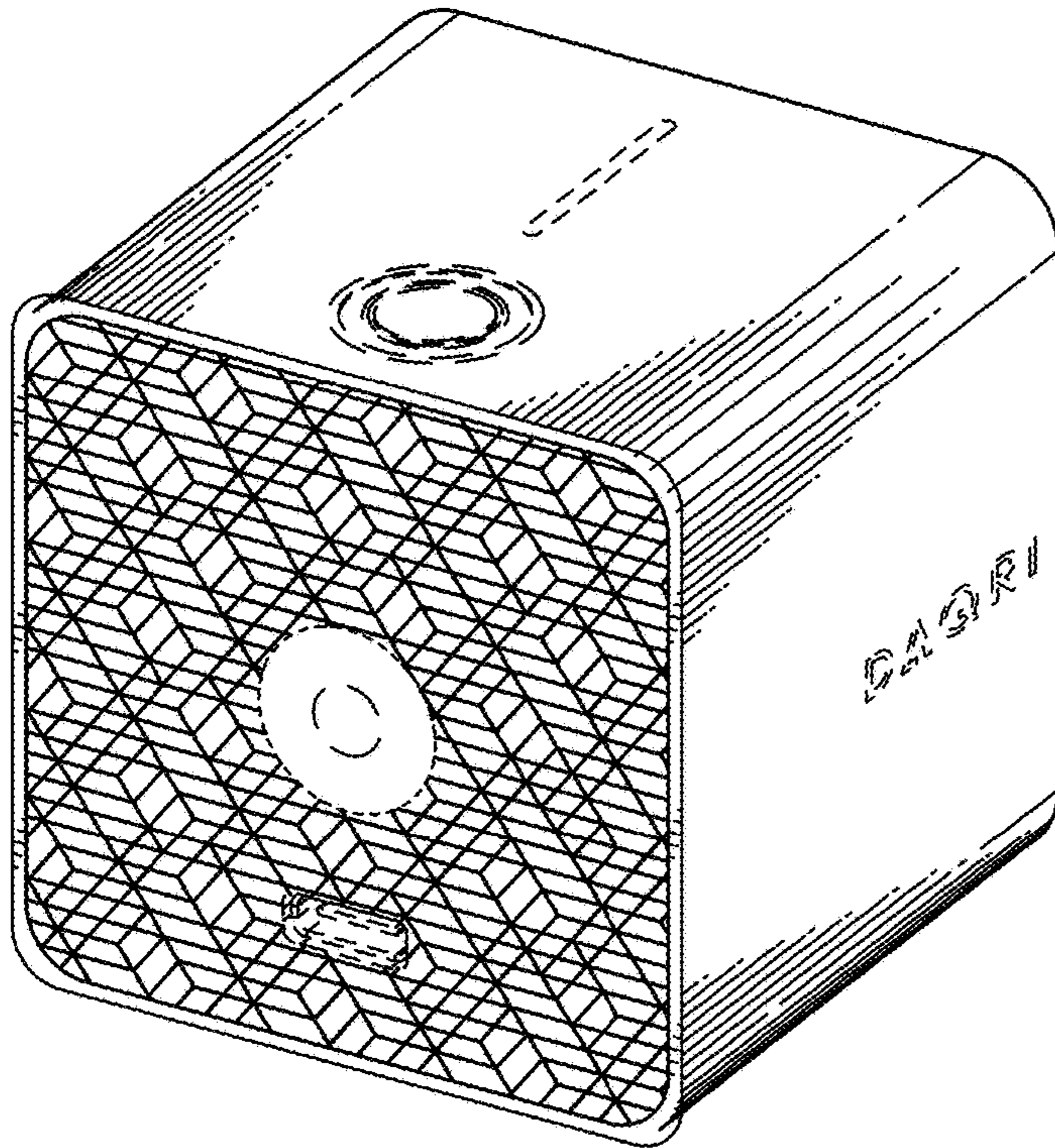


FIG. 21

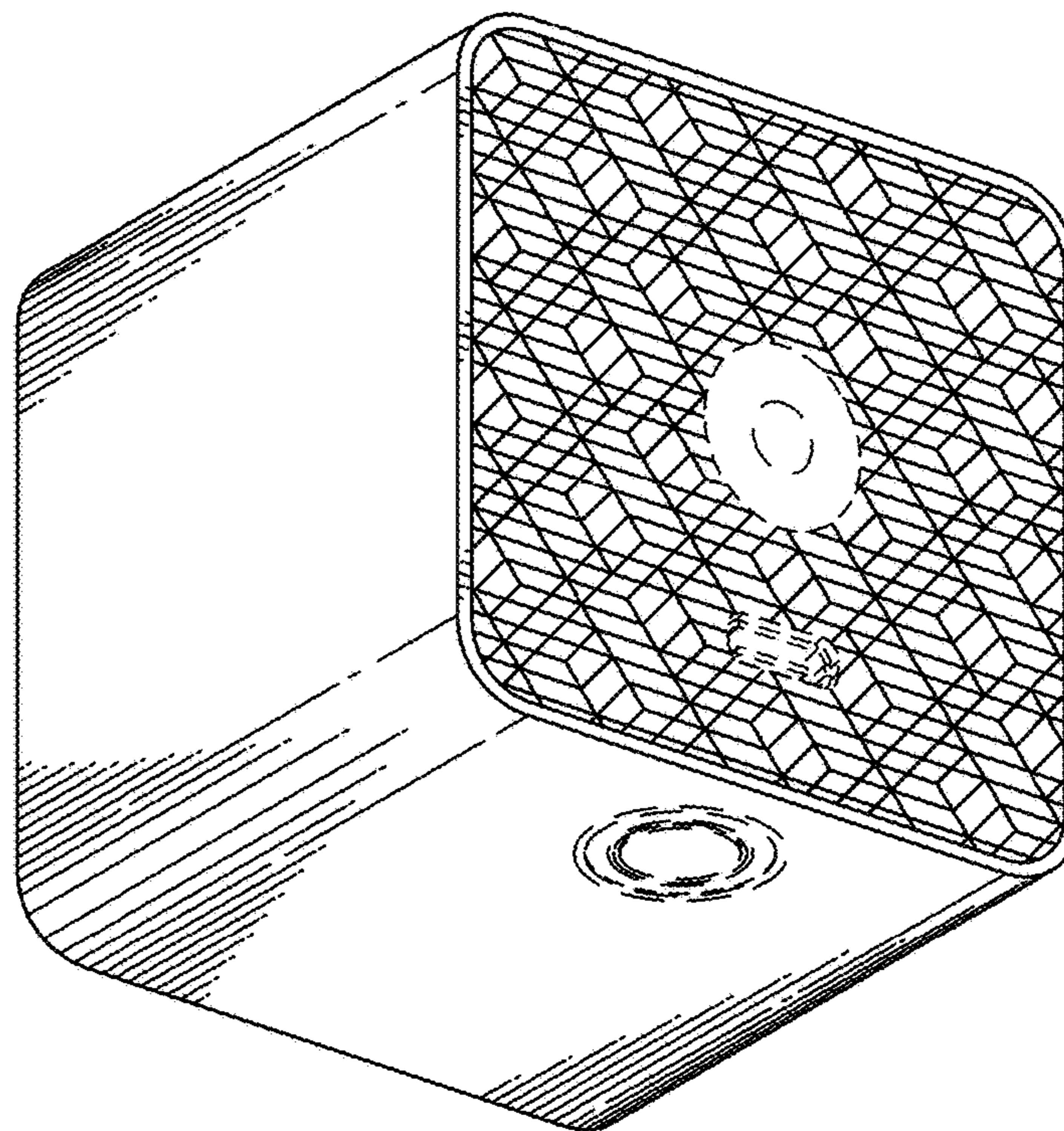


FIG. 22