



US00D820318S

(12) **United States Design Patent** (10) **Patent No.:** **US D820,318 S**
Mullins et al. (45) **Date of Patent:** **** Jun. 12, 2018**

(54) **ELECTRONIC DEVICE**

(71) Applicant: **DAQRI, LLC**, Los Angeles, CA (US)

(72) Inventors: **Brian Mullins**, Altadena, CA (US); **Lucas Kazansky**, Los Angeles, CA (US); **Christopher Michaels Garcia**, Whittier, CA (US); **Eduardo Salazar**, Reseda, CA (US); **Daniel Smitasin**, Alhambra, CA (US); **Ryan Ries**, La Canada, CA (US); **Arash Kalantari**, Los Angeles, CA (US); **Frank Chester Irving, Jr.**, Woodland Hills, CA (US); **Michael French**, Los Angeles, CA (US); **Chin-Lin Huang**, Los Angeles, CA (US)

(73) Assignee: **DAQRI, LLC**, Los Angeles, CA (US)

(**) Term: **15 Years**

(21) Appl. No.: **29/600,418**

(22) Filed: **Apr. 12, 2017**

(51) **LOC (11) Cl.** **14-03**

(52) **U.S. Cl.**
USPC **D14/496; D14/203.6**

(58) **Field of Classification Search**
USPC D14/432, 434, 447, 357, 299, 496,
D14/203.1–203.8, 149, 155, 157, 188,
(Continued)

(56) **References Cited**

U.S. PATENT DOCUMENTS

D529,017 S * 9/2006 Kim D14/138 G
D531,159 S * 10/2006 Park D14/203.3
(Continued)

Primary Examiner — Prabhakar Deshmukh

(74) *Attorney, Agent, or Firm* — Schwegman Lundberg & Woessner, P.A.

(57) **CLAIM**

The ornamental design for an electronic device, as shown and described.

DESCRIPTION

FIG. 1 is a bottom-left-front perspective view of an electronic device, showing our new design, according to a first embodiment thereof.

FIG. 2 is a front elevational view of the first embodiment thereof.

FIG. 3 is a right side view of the first embodiment thereof.

FIG. 4 is a left side view of the first embodiment thereof.

FIG. 5 is a top plan view of the first embodiment thereof.

FIG. 6 is a bottom plan view of the first embodiment thereof.

FIG. 7 is a rear elevational view of the first embodiment thereof.

FIG. 8 is a bottom-left-rear perspective view of the first embodiment thereof.

FIG. 9 is a bottom-left-front perspective view of an electronic device, showing our new design, according to a second embodiment thereof.

FIG. 10 is a front elevational view of the second embodiment thereof.

FIG. 11 is a right side view of the second embodiment thereof.

FIG. 12 is a left side view of the second embodiment thereof.

FIG. 13 is a top plan view of the second embodiment thereof.

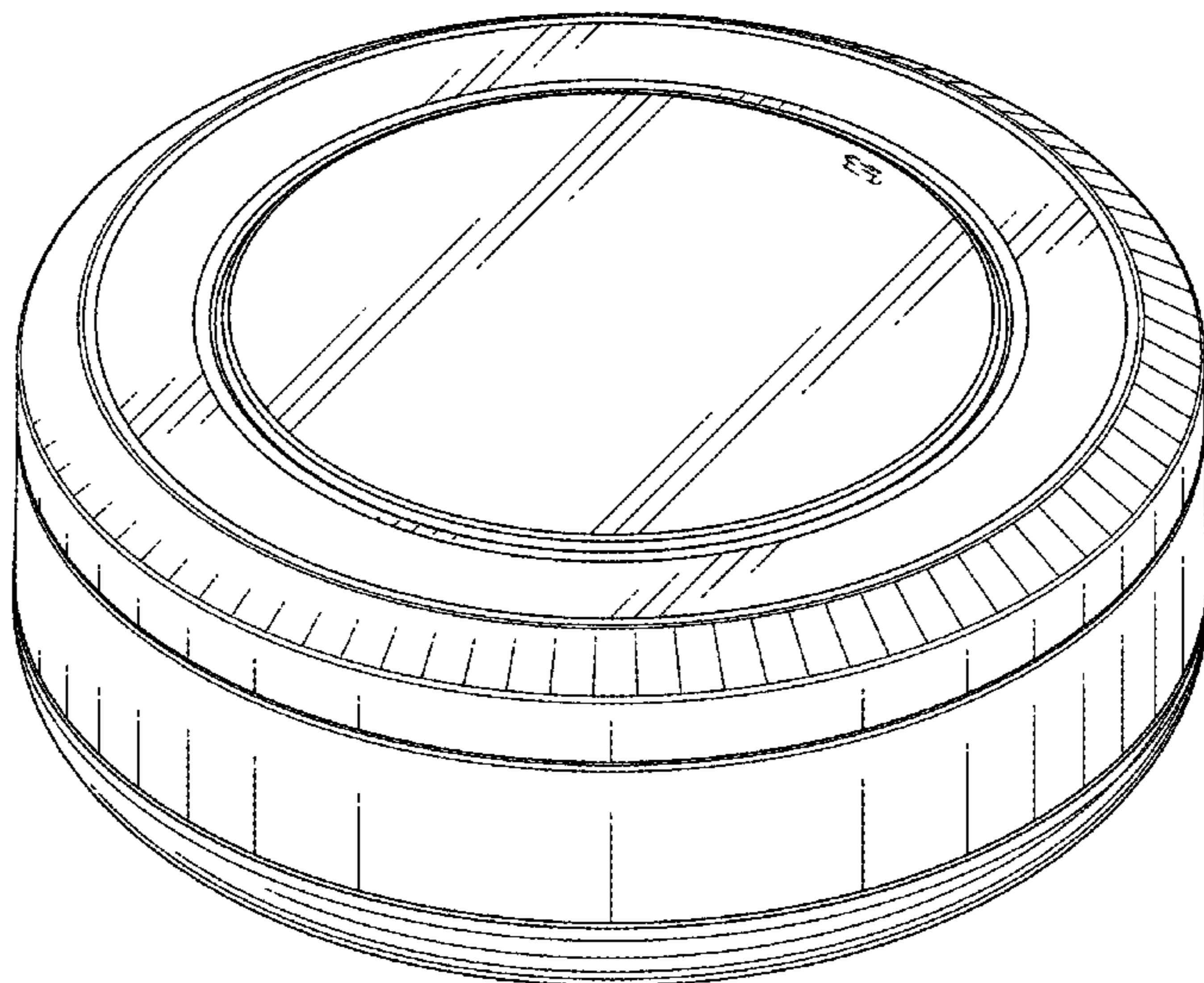
FIG. 14 is a bottom plan view of the second embodiment thereof.

FIG. 15 is a rear elevational view of the second embodiment thereof; and,

FIG. 16 is a bottom-left-rear perspective view of the second embodiment thereof.

The broken lines indicate environment and forms no part of the claimed design.

1 Claim, 14 Drawing Sheets



(58) **Field of Classification Search**

USPC ... D14/209.1, 217; D21/324, 328, 332, 333;
361/600, 679-686; 320/114, 115;
345/156-161, 905, 901; 439/529, 534,
439/929; 455/556, 556.2, 557;
348/14.01-14.1, 211.12, 211.13;
386/235, 200, 239; 715/751, 753;
725/143, 151, 153, 135; 709/204, 211,
709/217
CPC G06F 1/16; G06F 5/00; G06F 3/00; H04N
5/225; H04N 5/40; G05F 3/048
See application file for complete search history.

(56) **References Cited**

U.S. PATENT DOCUMENTS

7,277,272 B2 * 10/2007 Hsiung G11B 17/051
361/679.01
D554,614 S * 11/2007 Lin D14/509
D626,147 S * 10/2010 Goddard D14/496
8,090,945 B2 * 1/2012 Singhal G06F 21/32
713/168
D766,877 S * 9/2016 Haase D14/172
D771,142 S * 11/2016 Langhammer D14/203.6
D792,468 S * 7/2017 Langhammer D14/203.3
D796,355 S * 9/2017 Cho D10/70
D804,531 S * 12/2017 Beck D14/496

* cited by examiner

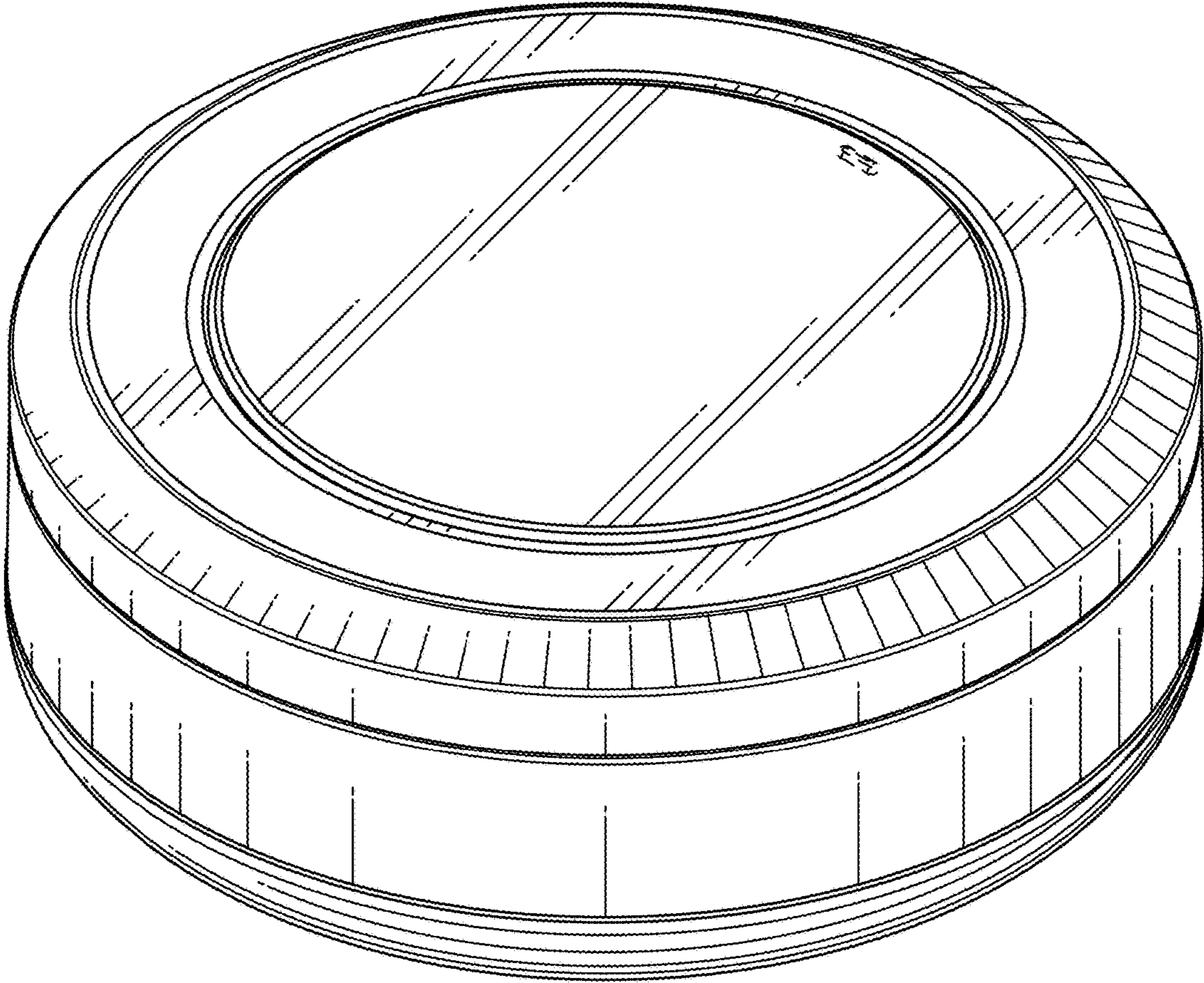


FIG. 1

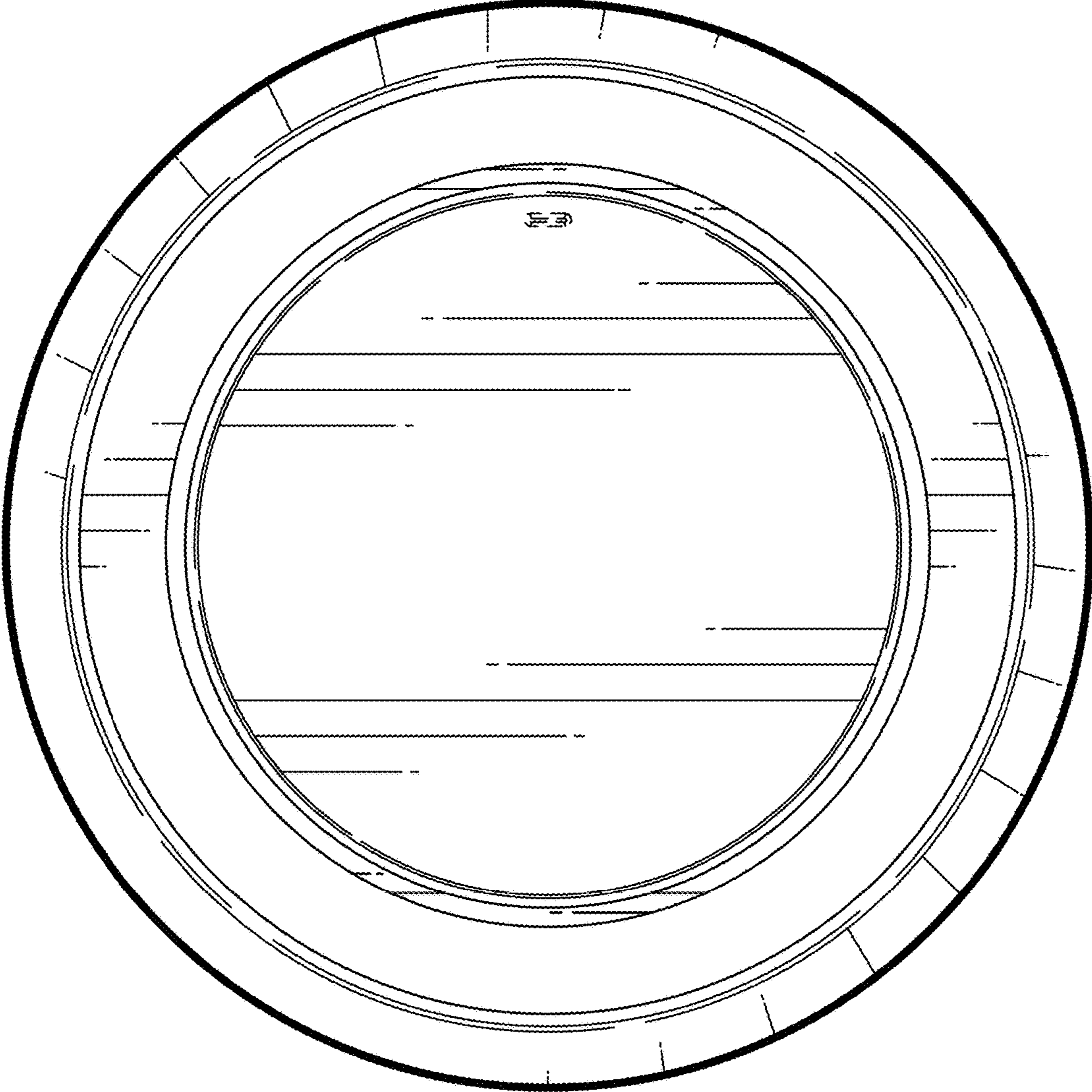


FIG. 2

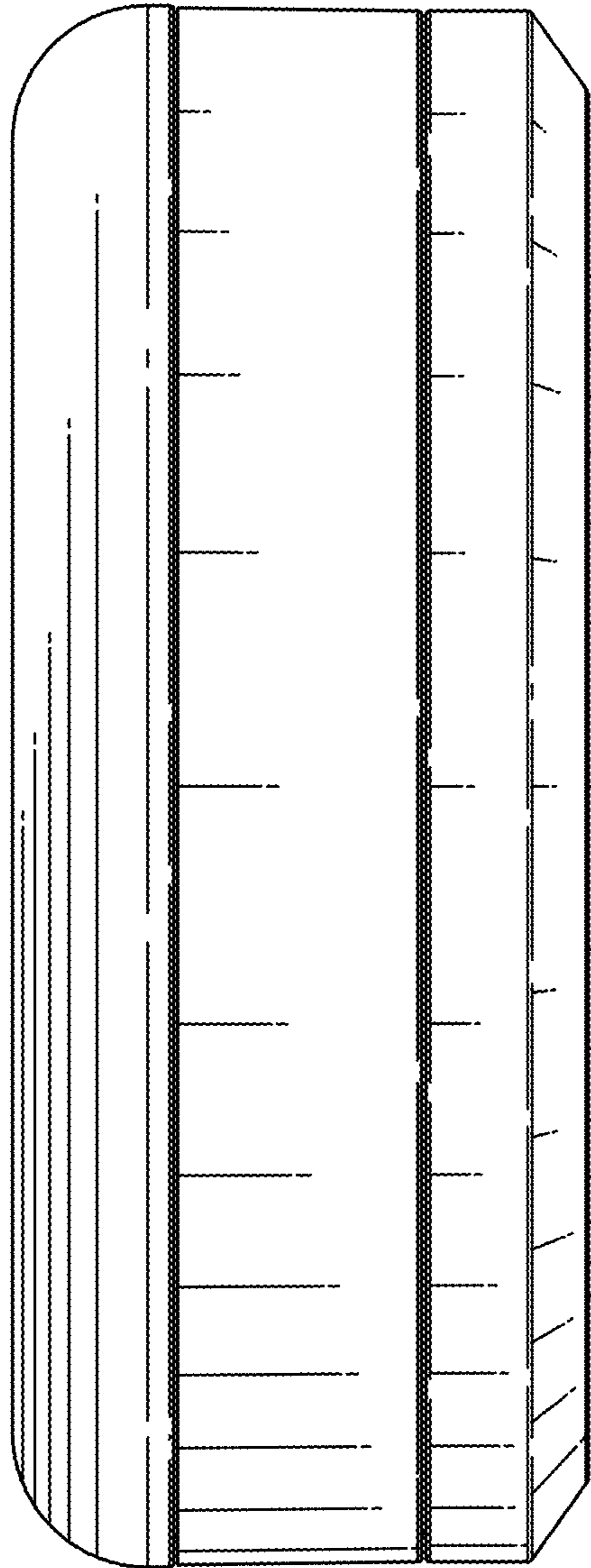


FIG. 3

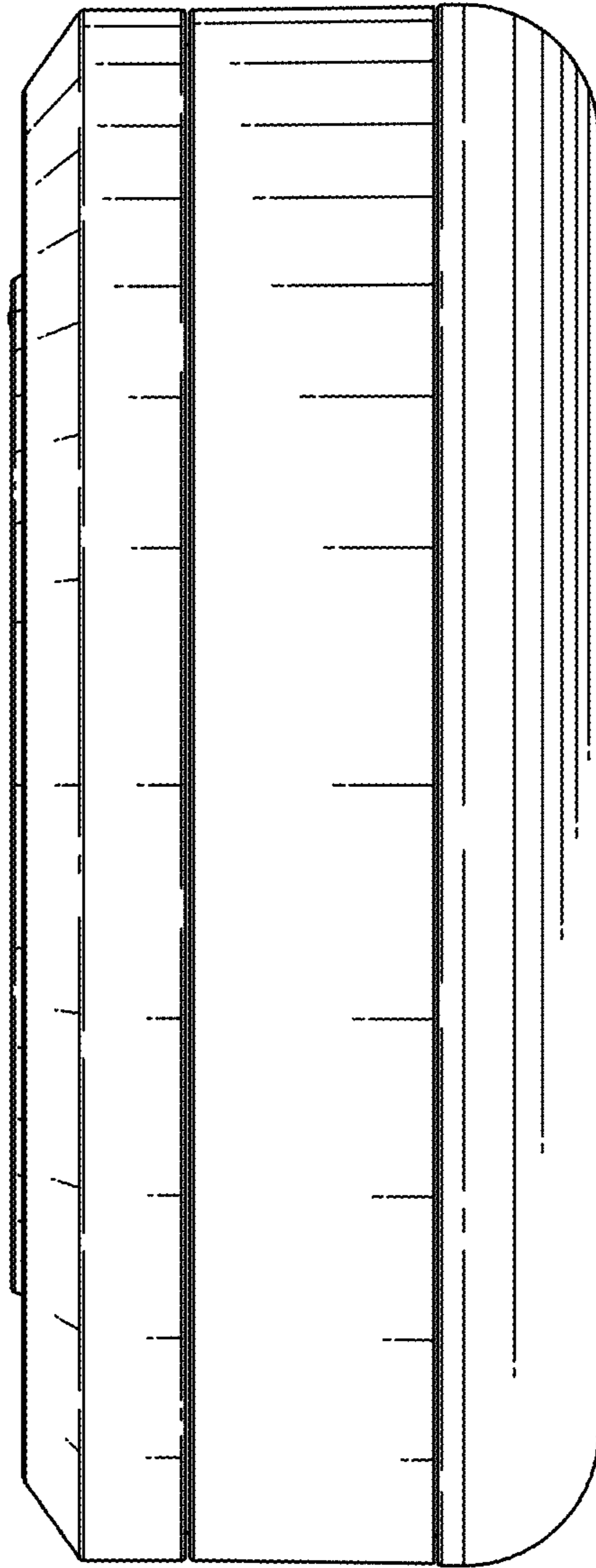


FIG. 4

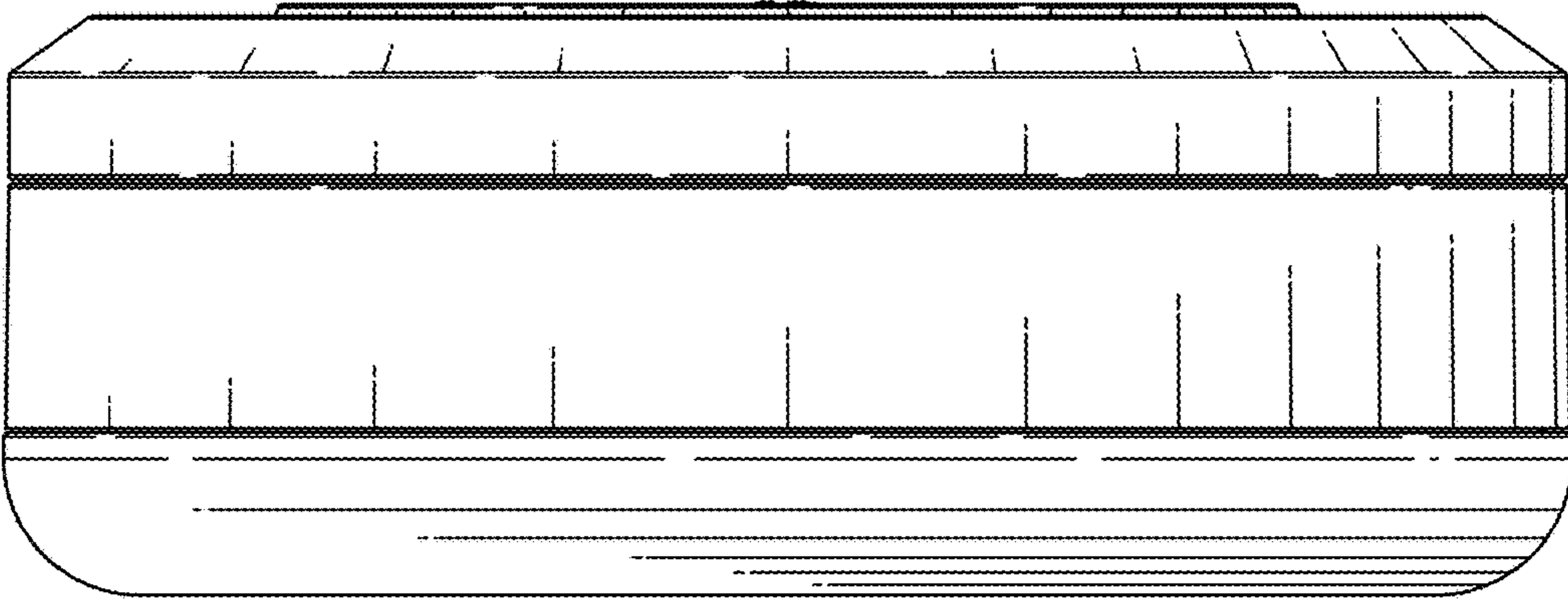


FIG. 5

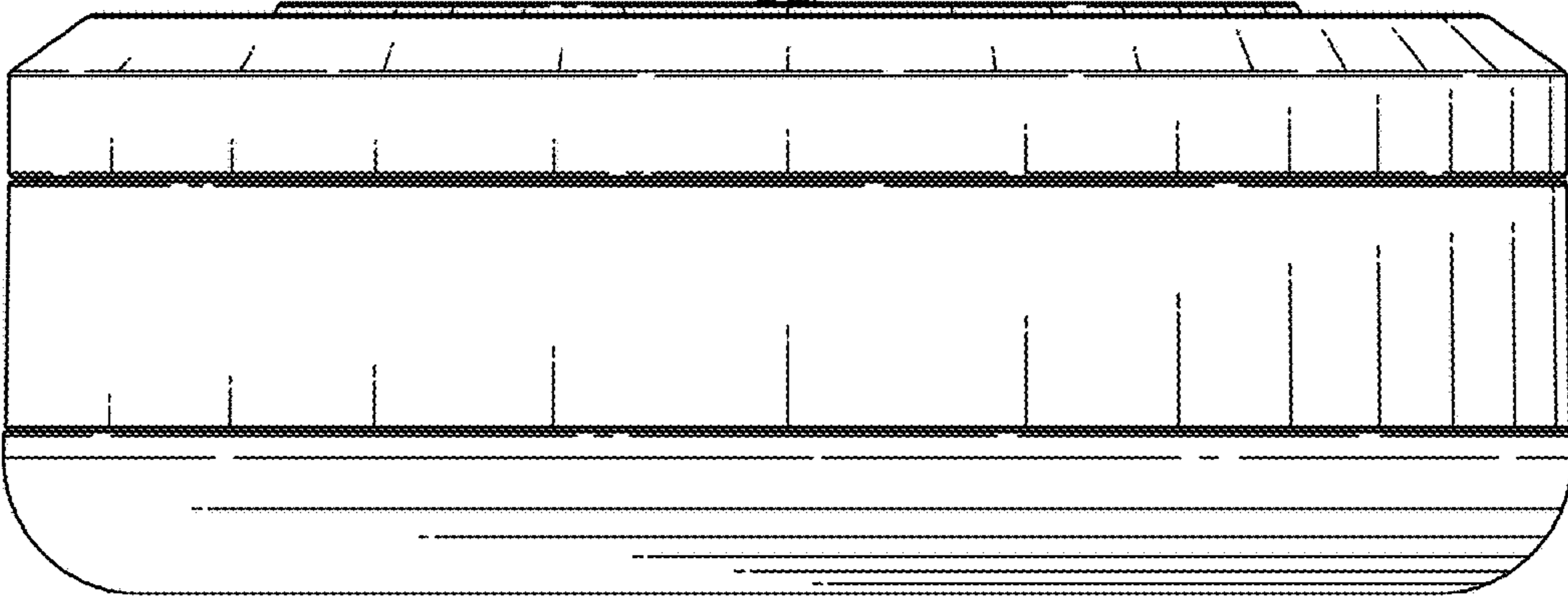


FIG. 6

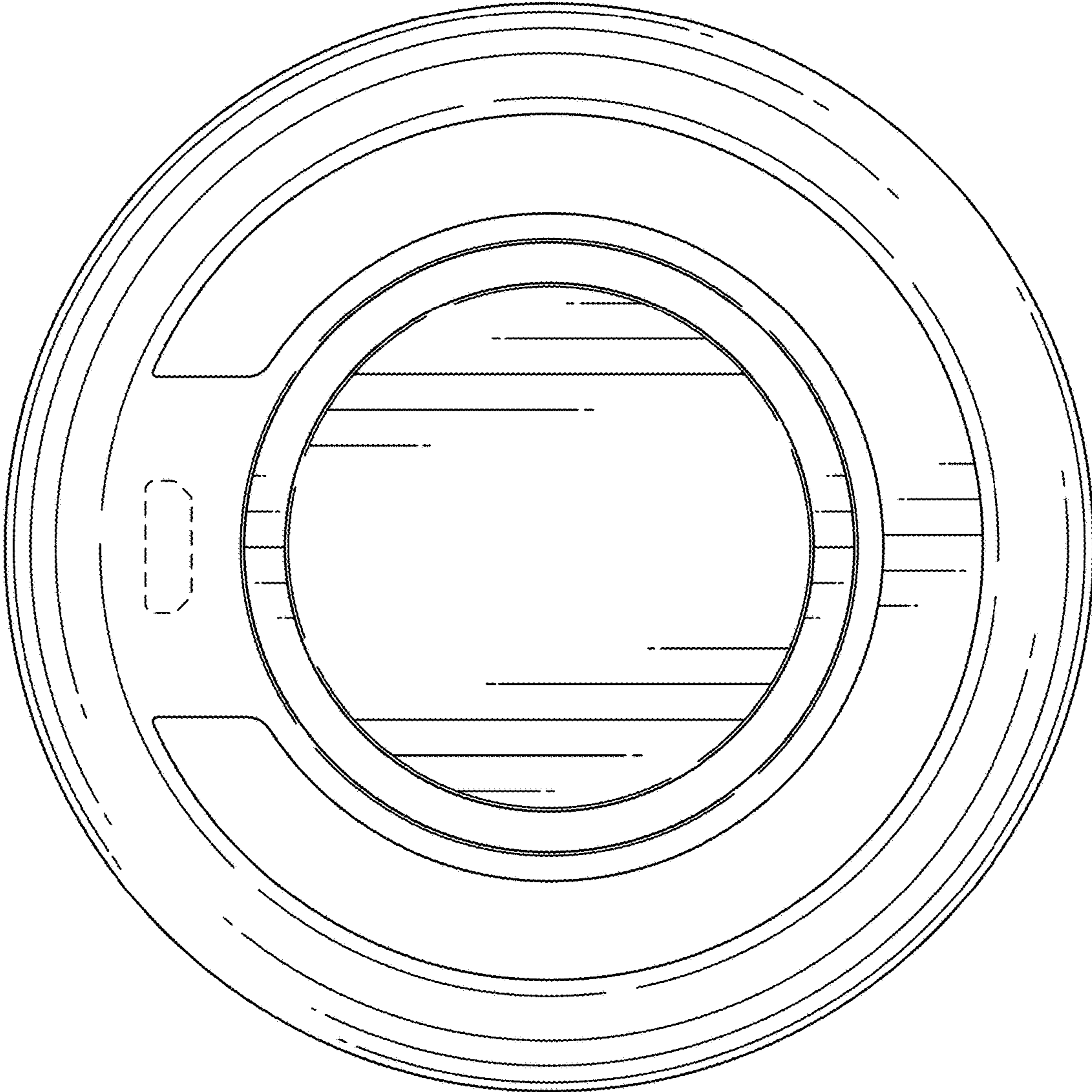


FIG. 7

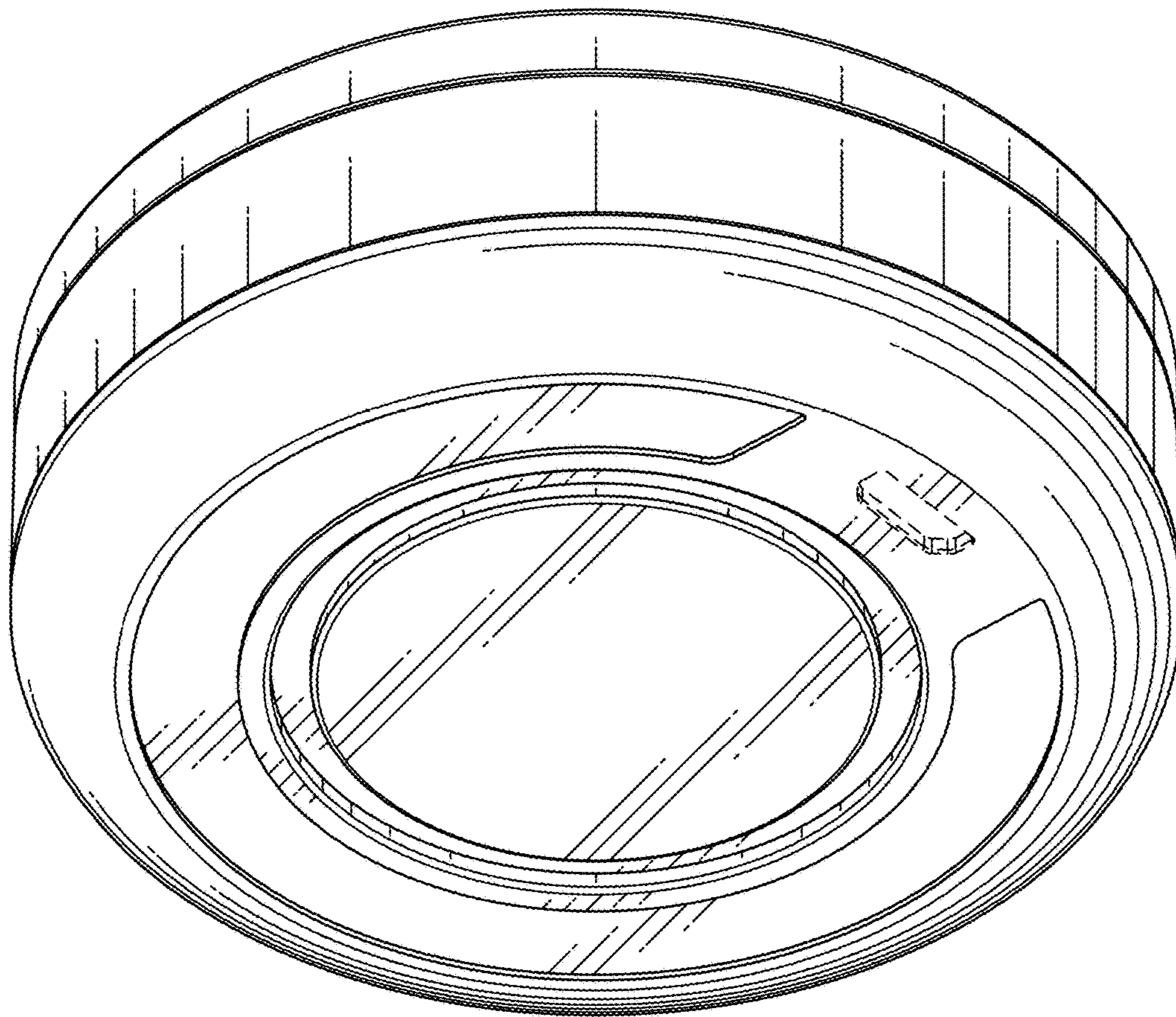


FIG. 8

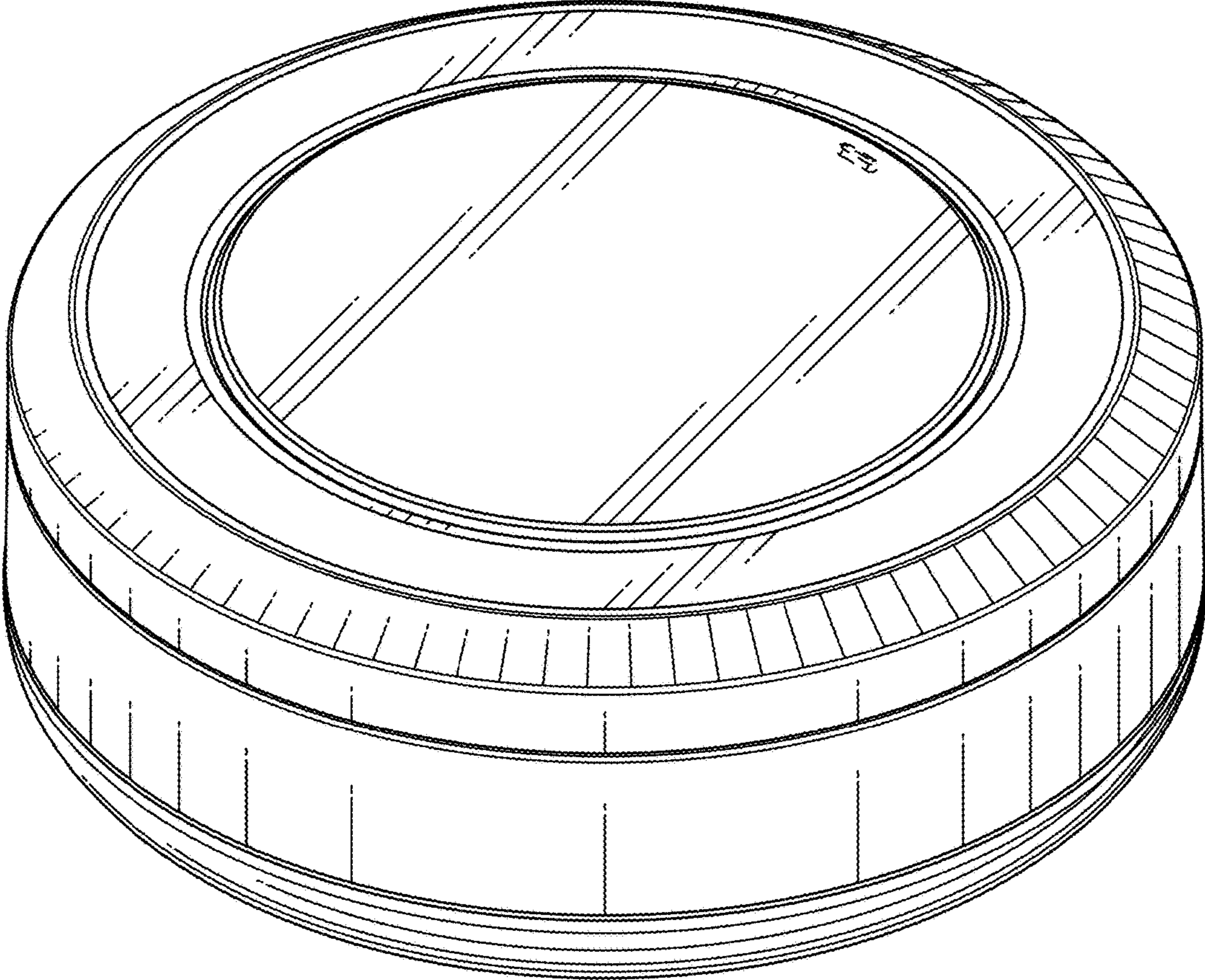


FIG. 9

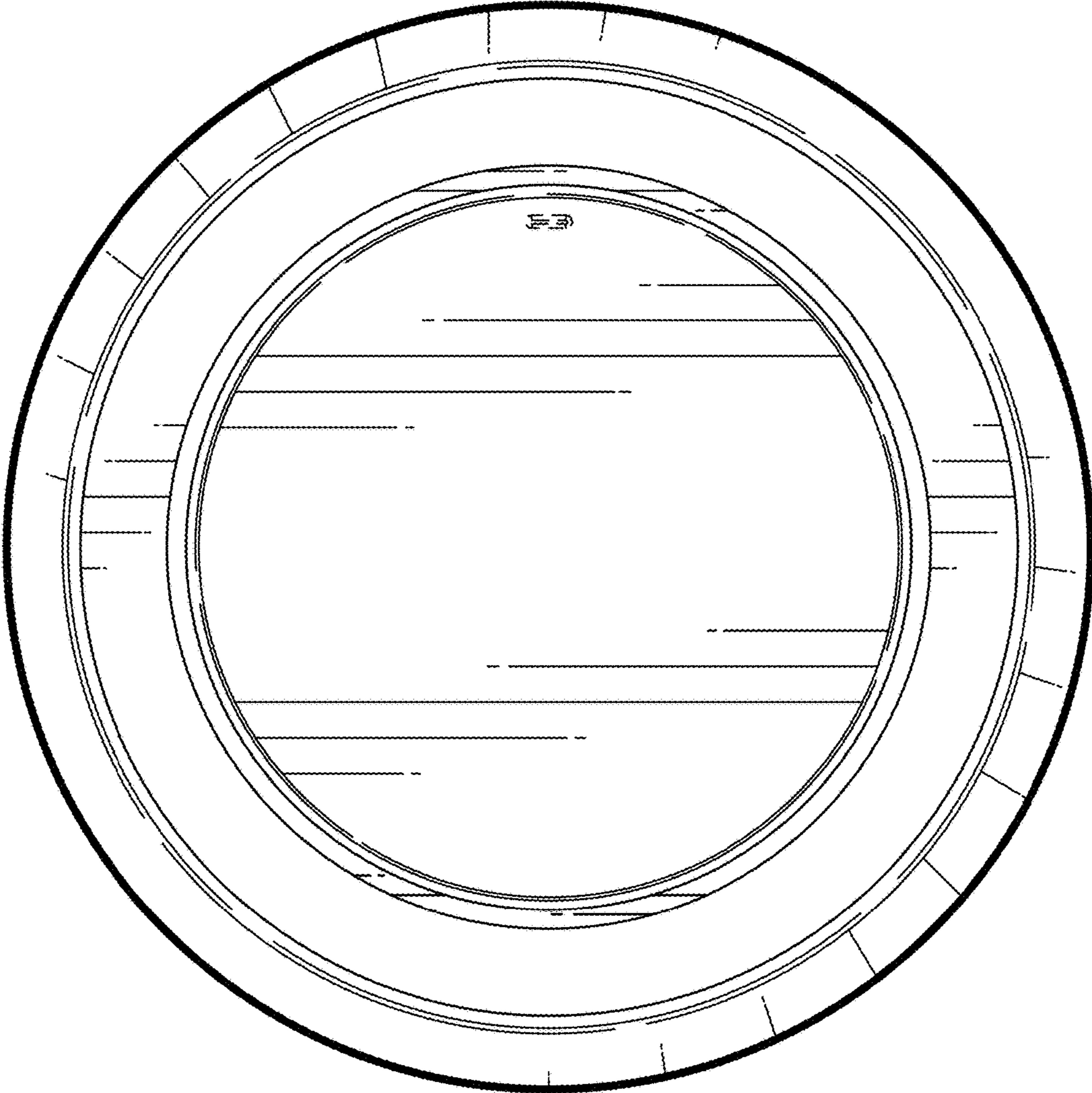


FIG. 10

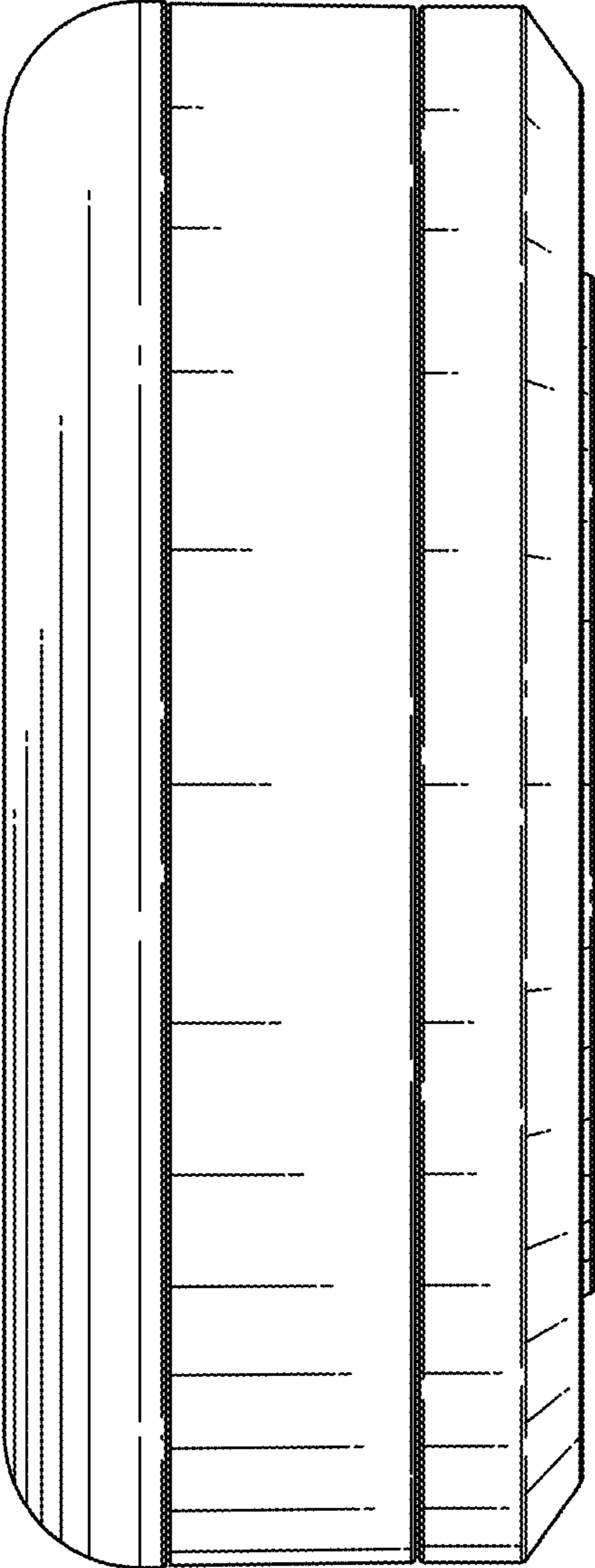


FIG. 11

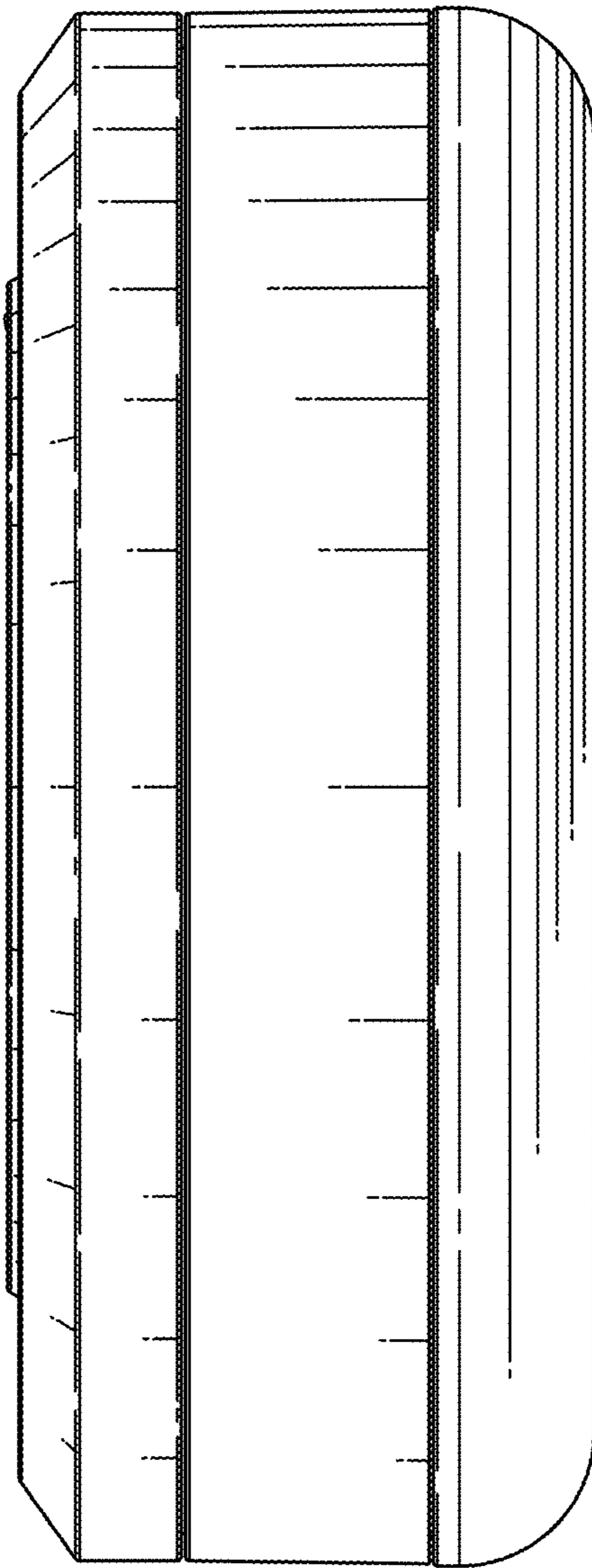


FIG. 12

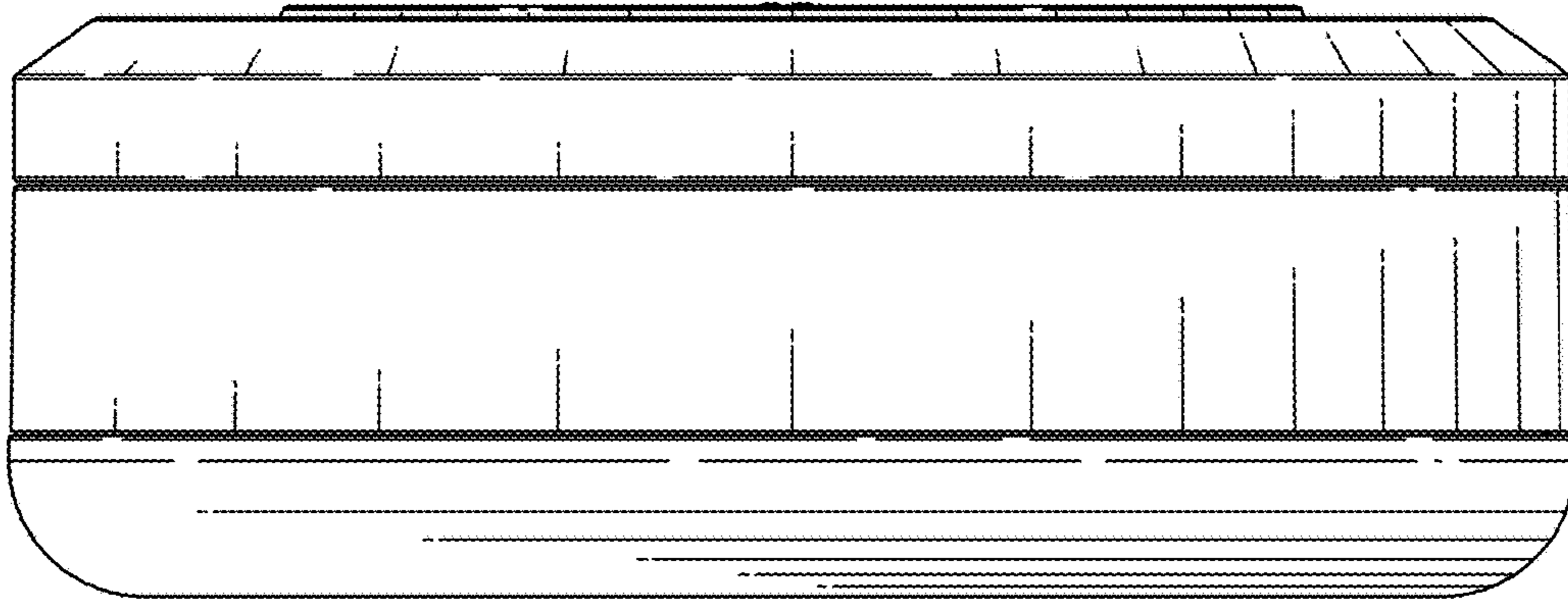


FIG. 13

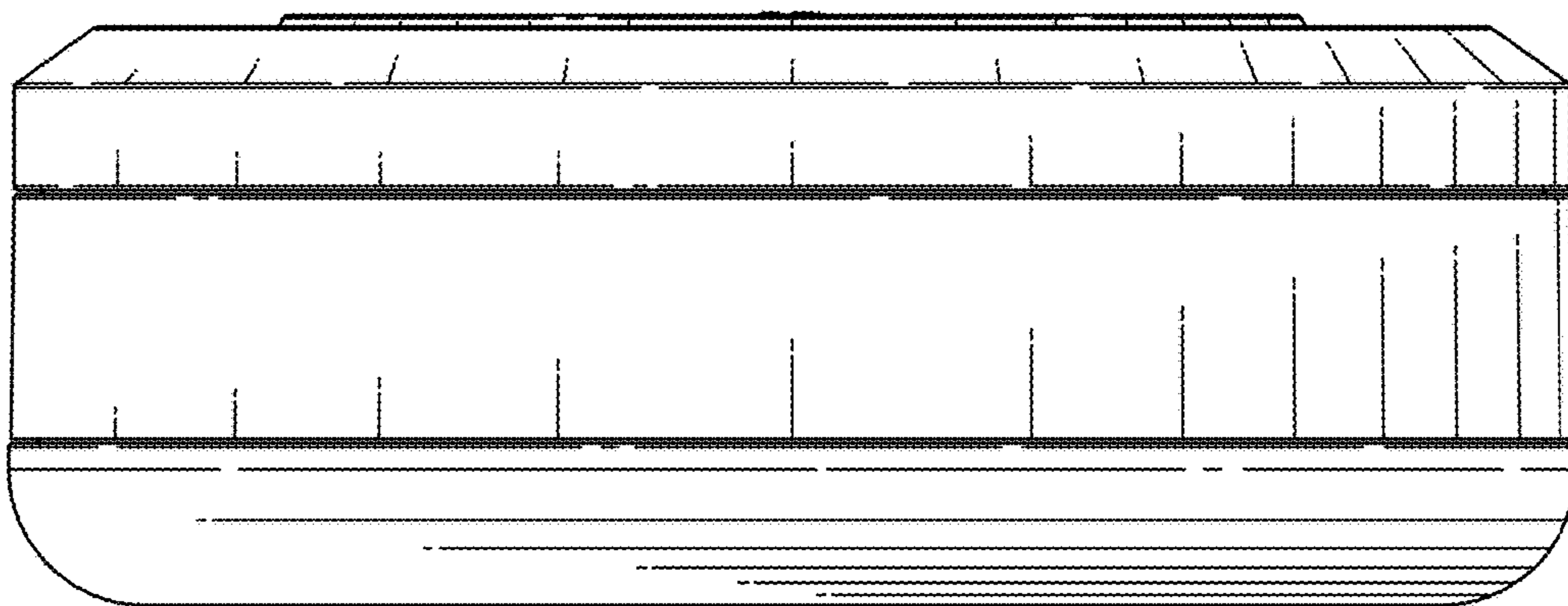


FIG. 14

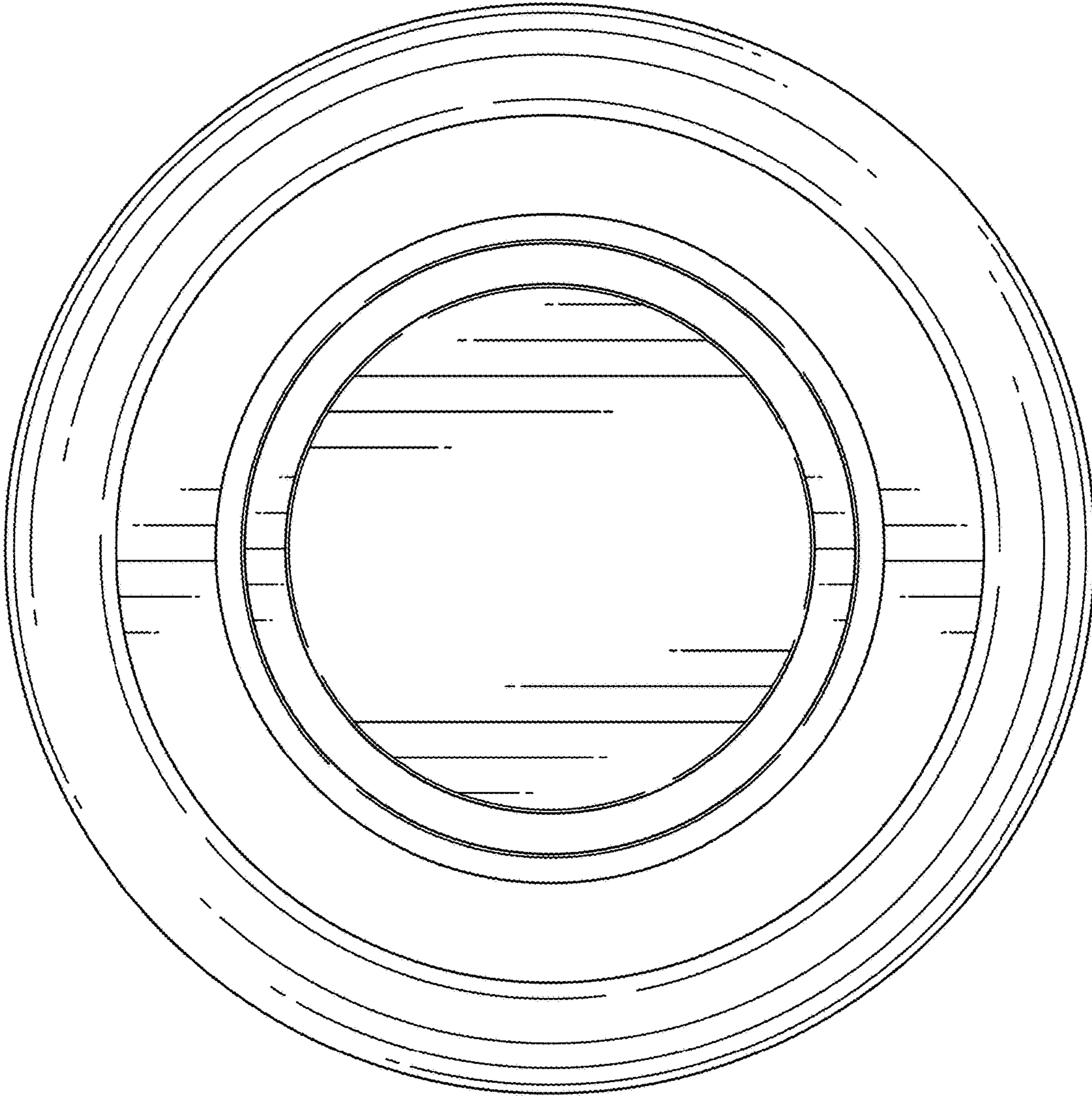


FIG. 15

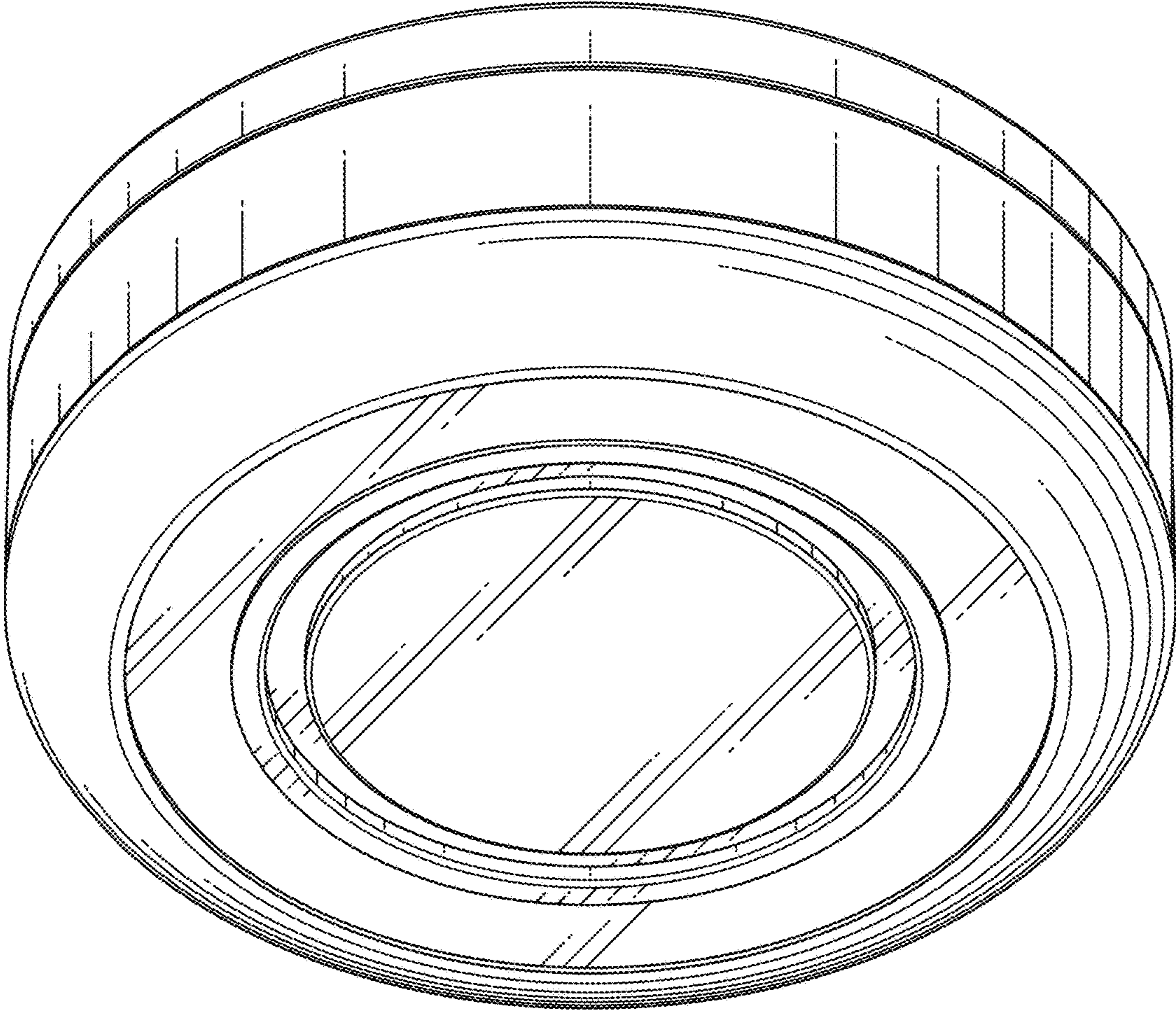


FIG. 16