



US00D820299S

(12) **United States Design Patent** (10) **Patent No.:** **US D820,299 S**
Demers et al. (45) **Date of Patent:** **** Jun. 12, 2018**

(54) **DISPLAY SCREEN WITH GRAPHICAL USER INTERFACE FOR A BOILER**

(71) Applicant: **HARSCO TECHNOLOGIES LLC**, Fairmont, MN (US)

(72) Inventors: **Andrew Demers**, Chittenango, NY (US); **Christopher Ellingwood**, Tannersville, PA (US); **Mark Spiridigloizzi**, Easton, PA (US); **Erik Zane**, Macungie, PA (US)

(73) Assignee: **Harsco Technologies LLC**, Fairmont, MN (US)

(**) Term: **15 Years**

(21) Appl. No.: **29/606,616**

(22) Filed: **Jun. 6, 2017**

Related U.S. Application Data

(63) Continuation of application No. 29/524,500, filed on Apr. 21, 2015, now Pat. No. Des. 806,728.

(51) **LOC (11) Cl.** **14-04**

(52) **U.S. Cl.**
USPC **D14/486**

(58) **Field of Classification Search**
USPC D14/485-495
CPC G06F 3/0482; G06F 3/04842; G06F 3/04817; G06F 3/048; G06F 17/211; G06F 17/212
See application file for complete search history.

(56) **References Cited**

U.S. PATENT DOCUMENTS

6,122,603 A * 9/2000 Budike, Jr. G01D 4/004 340/870.02
D589,969 S * 4/2009 Shibata D14/486

D590,409 S * 4/2009 Shibata D14/486
D619,609 S * 7/2010 Meziere D14/486
D649,555 S * 11/2011 Christie D14/486
D661,701 S * 6/2012 Brown D14/486
D711,912 S * 8/2014 Alldredge D14/489
D724,610 S * 3/2015 Lee D14/486
D726,201 S * 4/2015 Lee D14/486
D736,233 S * 8/2015 Kanenari D14/486
D736,248 S * 8/2015 Chen D14/488
D743,999 S * 11/2015 Villamor D14/488
9,354,776 B1 * 5/2016 Subramanian G06F 3/04817
9,384,491 B1 * 7/2016 Briggs G08G 1/205
D763,863 S * 8/2016 Vymenets D14/485
D766,294 S * 9/2016 Smith D14/486
9,460,175 B1 * 10/2016 Hong G06F 17/30569
D776,143 S * 1/2017 Makowski D14/486
9,646,117 B1 * 5/2017 Kotzabasakis G06F 17/5009
2013/0285964 A1 * 10/2013 Kang G06F 3/044 345/173

(Continued)

Primary Examiner — Kevin K Rudzinski

Assistant Examiner — Jack Reickel

(74) *Attorney, Agent, or Firm* — Withers Bergmen LLP; Alan Gardner

(57) **CLAIM**

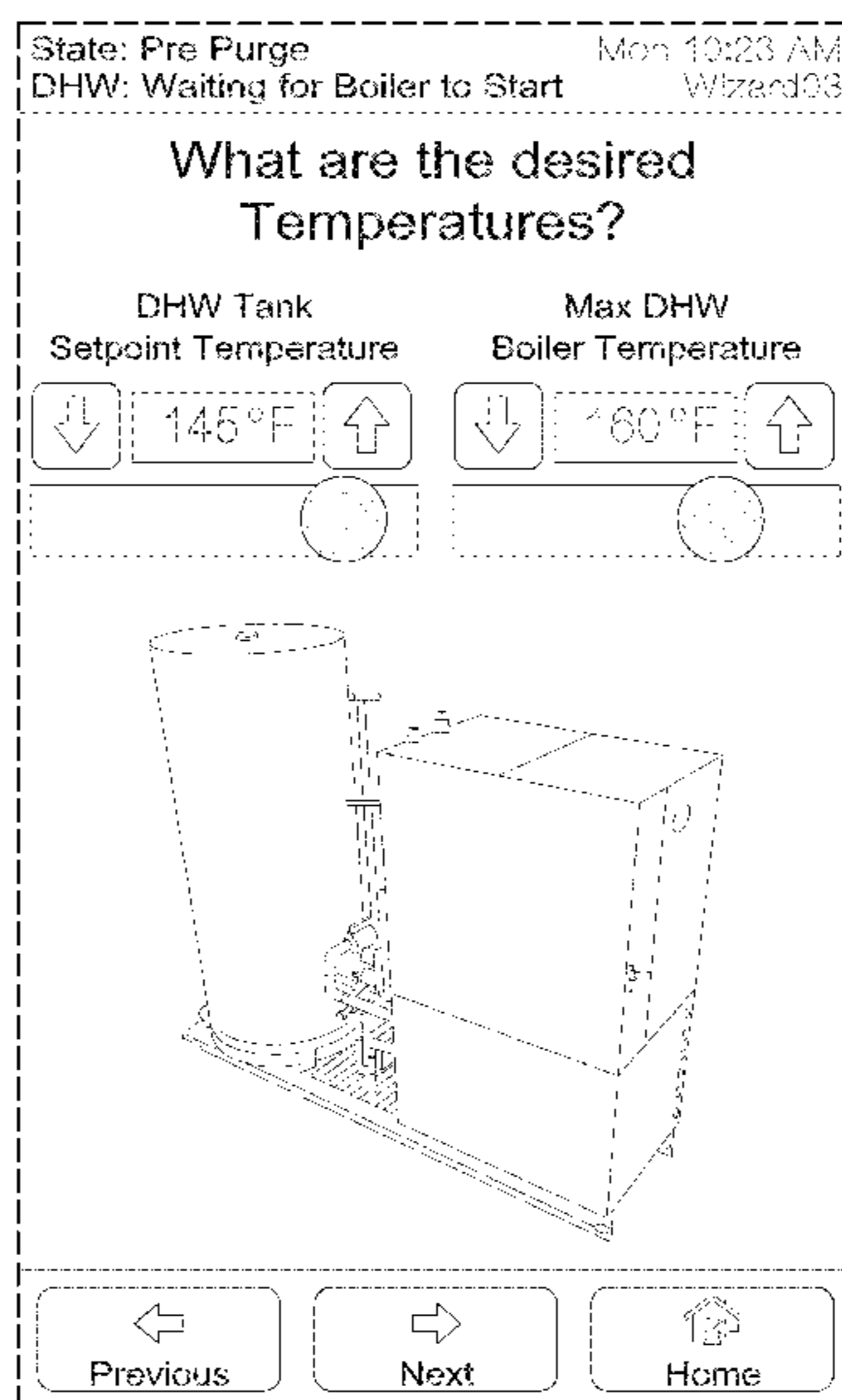
The ornamental design for a display screen with graphical user interface for a boiler, as shown and described.

DESCRIPTION

The sole FIGURE depicts a front view of a display screen with graphical user interface for a boiler, showing our new design;

The outermost broken lines define the bounds of the claimed design. Other broken lines shown within the boiler user interface for a screen display represent unclaimed portions of the boiler user interface for a screen display and are for environmental purposes only; the broken lines form no part of the claimed design.

1 Claim, 1 Drawing Sheet



(56)

References Cited

U.S. PATENT DOCUMENTS

2013/0339894 A1* 12/2013 Bair, III F25D 29/008
715/772
2016/0299751 A1* 10/2016 Shapira G06F 17/30392
2017/0083268 A1* 3/2017 Cho G06F 3/0346

* cited by examiner

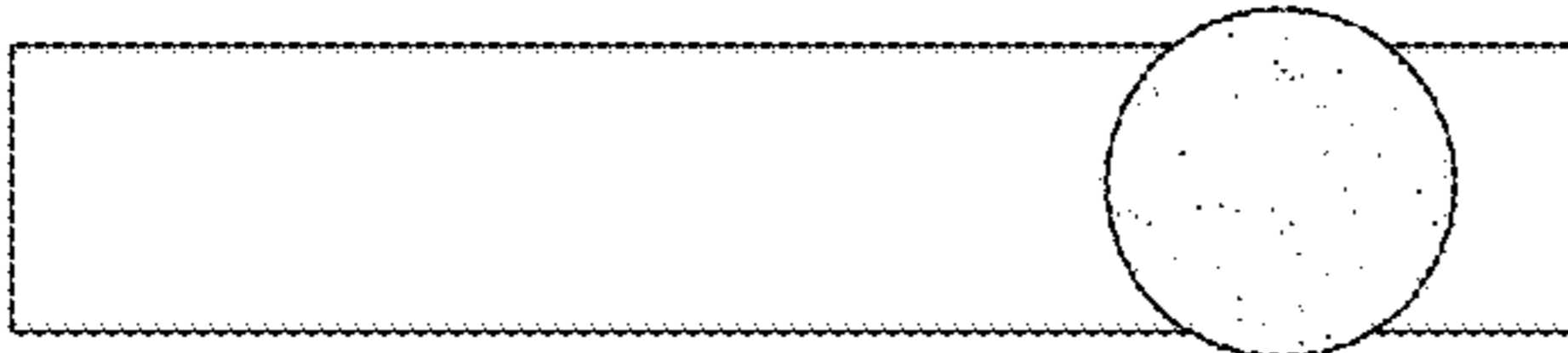
State: Pre Purge
DHW: Waiting for Boiler to Start

Mon 10:23 AM
Wizard03

What are the desired Temperatures?

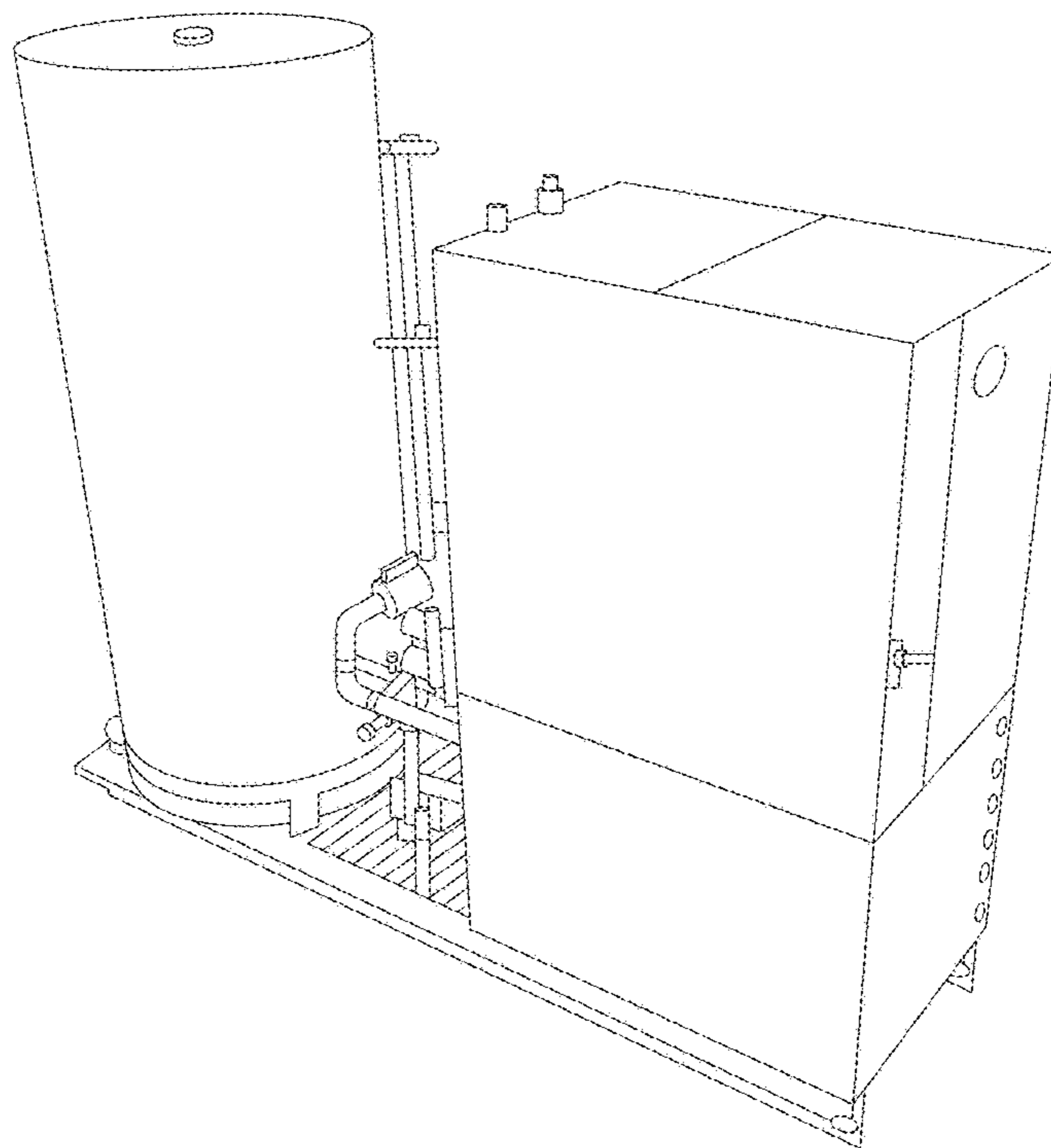
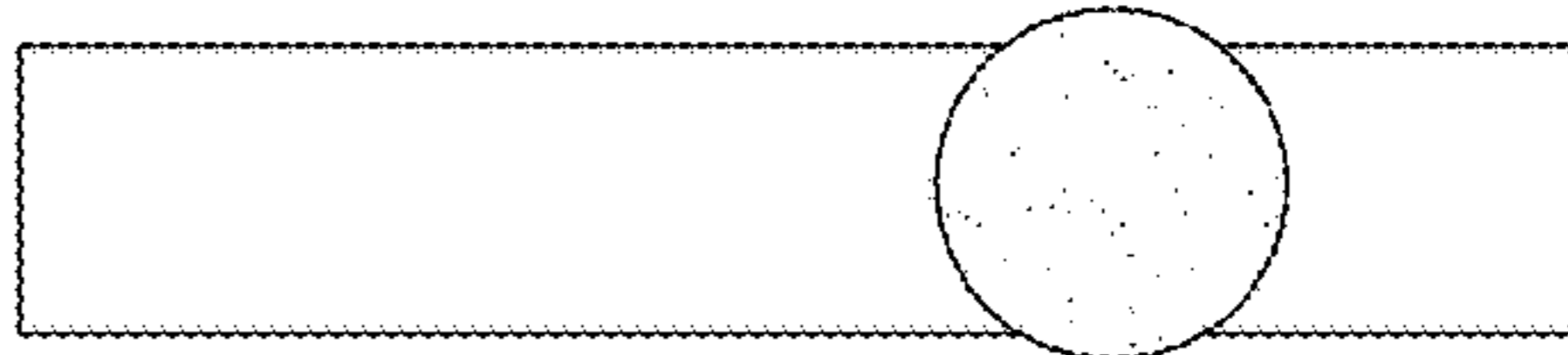
DHW Tank
Setpoint Temperature

↓ 145°F ↑



Max DHW
Boiler Temperature

↓ 160°F ↑



←
Previous

→
Next

🏠
Home