



US00D820280S

(12) **United States Design Patent**  
**Yao**

(10) **Patent No.:** **US D820,280 S**  
(45) **Date of Patent:** **\*\* Jun. 12, 2018**

(54) **DISPLAY SCREEN OR PORTION THEREOF WITH TRANSITIONAL KEYBOARD GRAPHICAL USER INTERFACE**

D759,117 S \* 6/2016 Liang ..... D14/492  
D761,811 S \* 7/2016 Jeon ..... D14/485  
D763,882 S \* 8/2016 Liang ..... D14/486

(Continued)

(71) Applicant: **Bing-Yang Yao**, Taipei (TW)

*Primary Examiner* — Darlington Ly

(72) Inventor: **Bing-Yang Yao**, Taipei (TW)

*Assistant Examiner* — Daniel J Domino

(\*\*) Term: **15 Years**

(57) **CLAIM**

(21) Appl. No.: **29/582,641**

The ornamental design for a display screen or portion thereof with transitional keyboard graphical user interface, as shown and described.

(22) Filed: **Oct. 28, 2016**

**DESCRIPTION**

(30) **Foreign Application Priority Data**

Apr. 29, 2016 (TW) ..... 105302386

(51) **LOC (11) Cl.** ..... **14-04**

(52) **U.S. Cl.**  
USPC ..... **D14/485**

(58) **Field of Classification Search**  
USPC ..... D14/485-485  
CPC ..... G06F 3/0489; G06F 3/04895; G06F 3/04892; G06F 15/0225; G06F 2203/04809; G06F 17/212  
See application file for complete search history.

FIG. 1 is a front view of a first image of a display screen or portion thereof with transitional keyboard graphical user interface showing my new design;  
FIG. 2 is a front view of a second image thereof;  
FIG. 3 is a front view of a third image thereof;  
FIG. 4 is a front view of a fourth image thereof;  
FIG. 5 is an enlarged view of indicated portion (marked as number 5) of FIG. 1;  
FIG. 6 is an enlarged view of indicated portion (marked as number 6) of FIG. 2;  
FIG. 7 is an enlarged view of the indicated portion (marked as number 8) of FIG. 3; and,  
FIG. 8 is an enlarged view of indicated portion (marked as number 8) of FIG. 4.

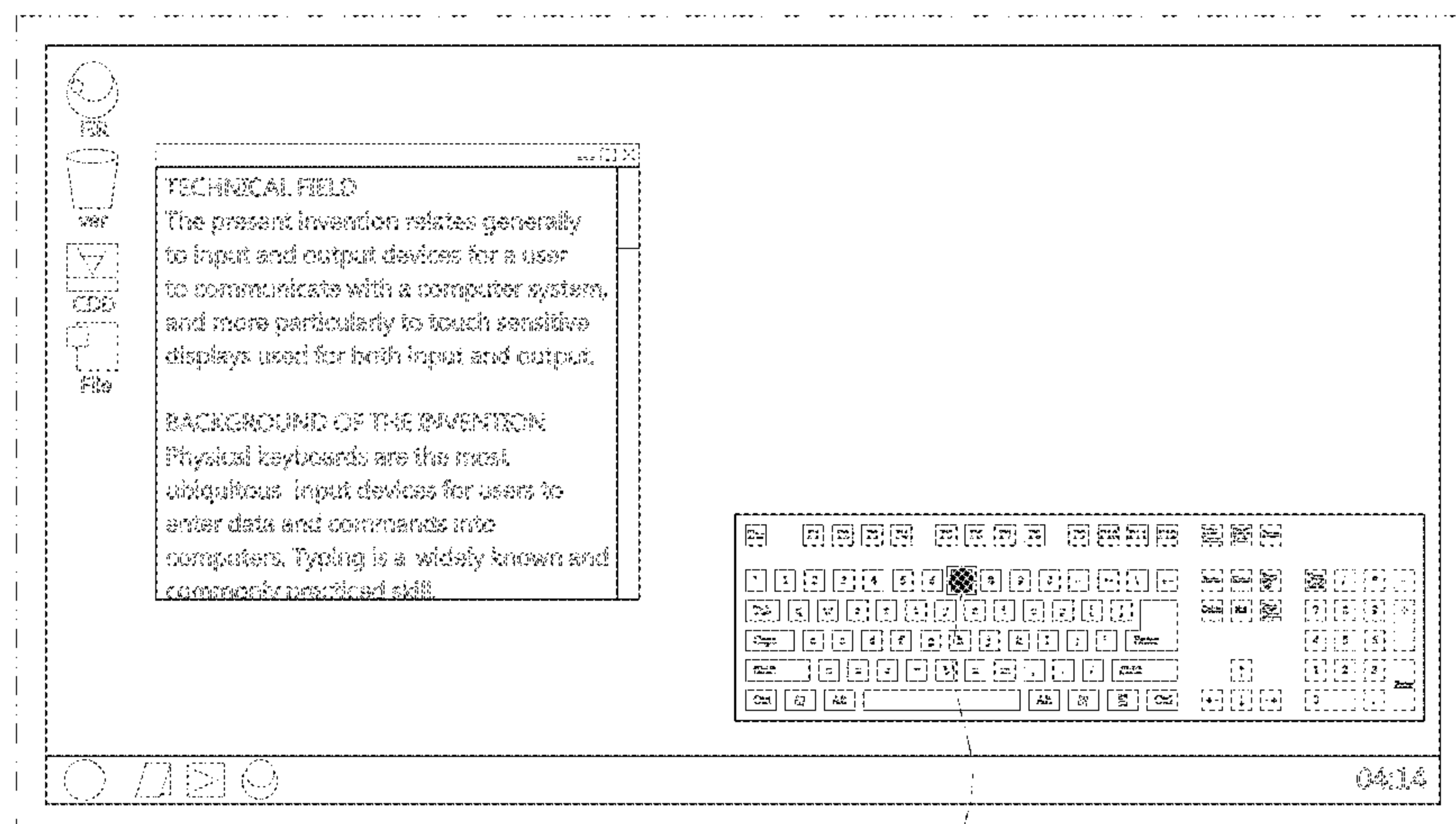
(56) **References Cited**

**U.S. PATENT DOCUMENTS**

D611,054 S \* 3/2010 Lin ..... D14/486  
D664,561 S \* 7/2012 Gleasman ..... D14/488  
D664,963 S \* 8/2012 Duggan ..... D14/485  
D699,735 S \* 2/2014 Lee ..... D14/486  
D703,682 S \* 4/2014 Cranfill ..... D14/485  
D720,772 S \* 1/2015 Cranfill ..... D14/488  
9,035,883 B2 \* 5/2015 Yoo ..... G06F 3/04886  
345/168  
D735,237 S \* 7/2015 Brody ..... D14/488  
D737,308 S \* 8/2015 Zuckerberg ..... D14/486  
D752,577 S \* 3/2016 Akana ..... D14/341  
D753,680 S \* 4/2016 Jeon ..... D14/485  
D759,072 S \* 6/2016 Siddons ..... D14/486

The appearance of the transitional image sequentially transitions between the images shown in FIGS. 1 through 4. The process or period in which one image transitions to another image forms no part of the claimed design. The outermost dot-dot-dash broken line showing of a display screen or portion thereof, as well as the broken line showing of elements of the graphical user interface illustrate portions of the article and do not form part of the claimed design. The dot-dash broken lines of FIGS. 1-4 illustrate the boundaries of the portions of the design from which FIGS. 5-8 have been taken and enlarged.

**1 Claim, 5 Drawing Sheets**



(56)

References Cited

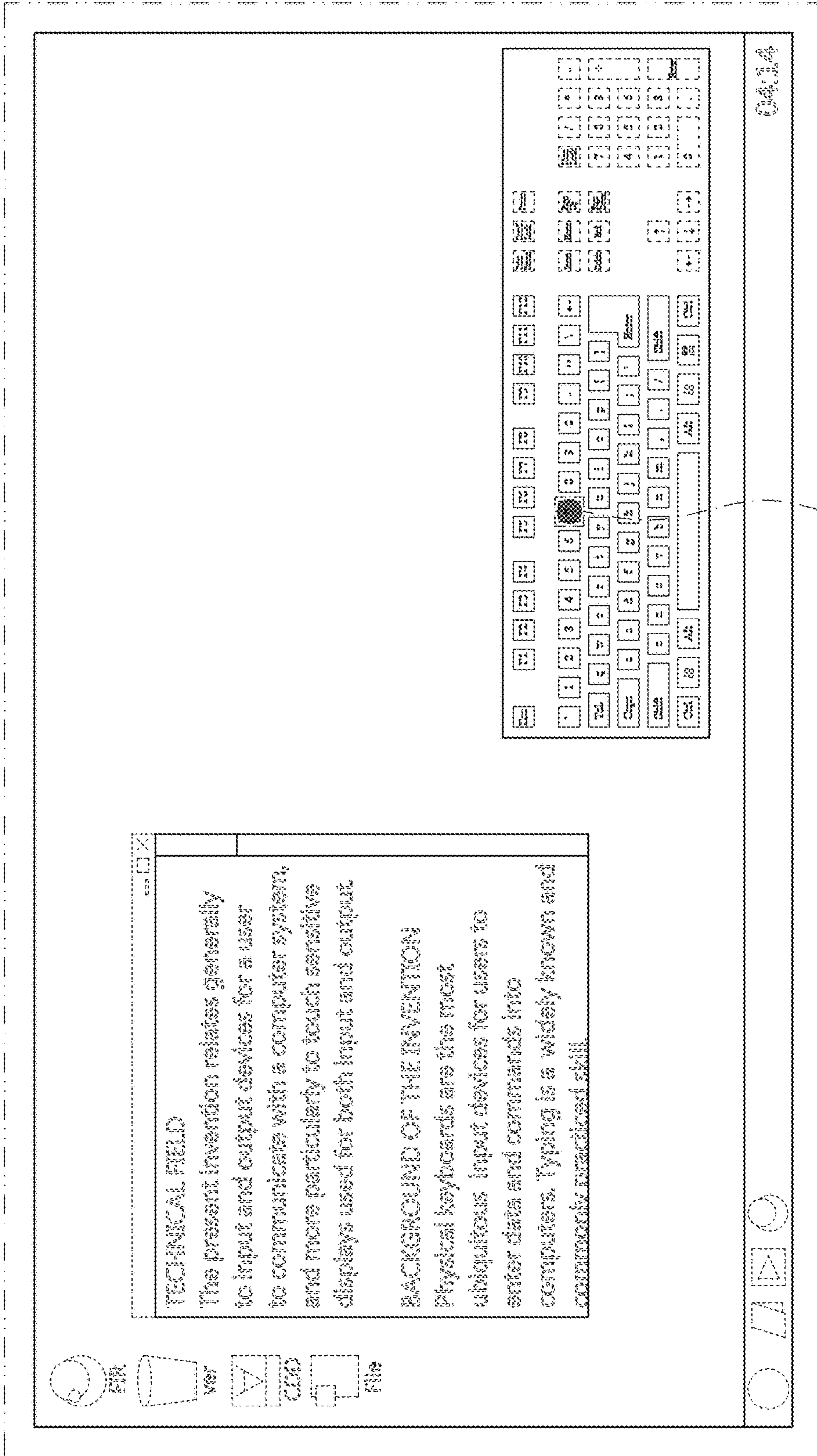
U.S. PATENT DOCUMENTS

D764,519 S \* 8/2016 Mariet ..... D14/487  
 D765,671 S \* 9/2016 Katopis ..... D14/485  
 D765,721 S \* 9/2016 Senders ..... D14/488  
 D766,912 S \* 9/2016 Li ..... D14/485  
 D766,938 S \* 9/2016 Segars ..... D14/485  
 D766,939 S \* 9/2016 Segars ..... D14/485  
 D771,082 S \* 11/2016 Chaudhri ..... D14/486  
 D771,119 S \* 11/2016 Ording ..... D14/488  
 D771,646 S \* 11/2016 Chaudhri ..... D14/485  
 D775,168 S \* 12/2016 Gottlieb ..... D14/486  
 D775,169 S \* 12/2016 Gottlieb ..... D14/486  
 D775,170 S \* 12/2016 Gottlieb ..... D14/486  
 D775,171 S \* 12/2016 Gottlieb ..... D14/486  
 D775,631 S \* 1/2017 Lee ..... D14/485  
 D779,548 S \* 2/2017 Shin ..... D14/488  
 D780,800 S \* 3/2017 Bi ..... D14/486  
 D783,036 S \* 4/2017 Yang ..... D14/486  
 D783,671 S \* 4/2017 Paek ..... D14/488  
 D784,397 S \* 4/2017 Kim ..... D14/487  
 D785,033 S \* 4/2017 Bhat ..... D14/487  
 D789,378 S \* 6/2017 Gottlieb ..... D14/485  
 D791,783 S \* 7/2017 Bratland ..... D14/485  
 D793,408 S \* 8/2017 Karunamuni ..... D14/485  
 D795,289 S \* 8/2017 Gottlieb ..... D14/488  
 D795,290 S \* 8/2017 Gottlieb ..... D14/488  
 D795,291 S \* 8/2017 Gottlieb ..... D14/488

D796,541 S \* 9/2017 Collins ..... D14/488  
 D797,752 S \* 9/2017 Sugawara ..... D14/485  
 D798,330 S \* 9/2017 Bhat ..... D14/487  
 D798,894 S \* 10/2017 Ibsies ..... D14/486  
 D803,850 S \* 11/2017 Chang ..... D14/485  
 D803,860 S \* 11/2017 Sugawara ..... D14/487  
 D805,534 S \* 12/2017 Berneker ..... D14/485  
 D806,741 S \* 1/2018 Majernik ..... D14/488  
 D808,413 S \* 1/2018 Wu ..... D14/486  
 2009/0183098 A1 \* 7/2009 Casparian ..... G06F 3/0238  
 715/765  
 2009/0303187 A1 \* 12/2009 Pallakoff ..... G06F 3/04886  
 345/169  
 2010/0289824 A1 \* 11/2010 Atzmon ..... G06F 3/04886  
 345/647  
 2011/0063224 A1 \* 3/2011 Vexo ..... G06F 3/04886  
 345/168  
 2013/0067382 A1 \* 3/2013 Townsend ..... G06F 3/04895  
 715/773  
 2013/0125036 A1 \* 5/2013 Griffin ..... G06F 3/0237  
 715/773  
 2014/0289641 A1 \* 9/2014 Whitcroft ..... G06F 3/0482  
 715/745  
 2015/0046849 A1 \* 2/2015 Forstall ..... G06F 3/0488  
 715/760  
 2015/0149955 A1 \* 5/2015 Kocienda ..... G06F 3/04886  
 715/781

\* cited by examiner





5

FIG.1

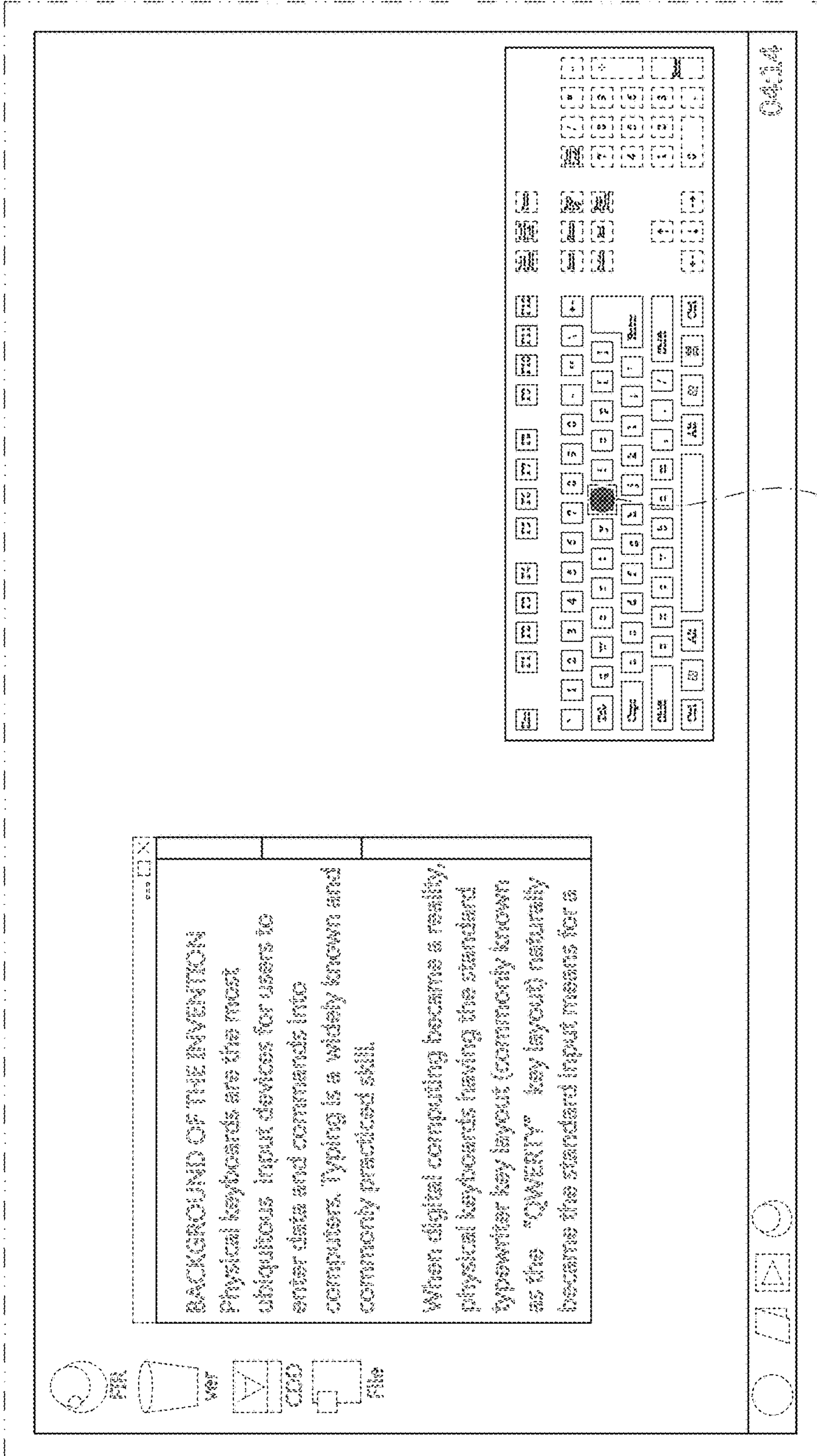
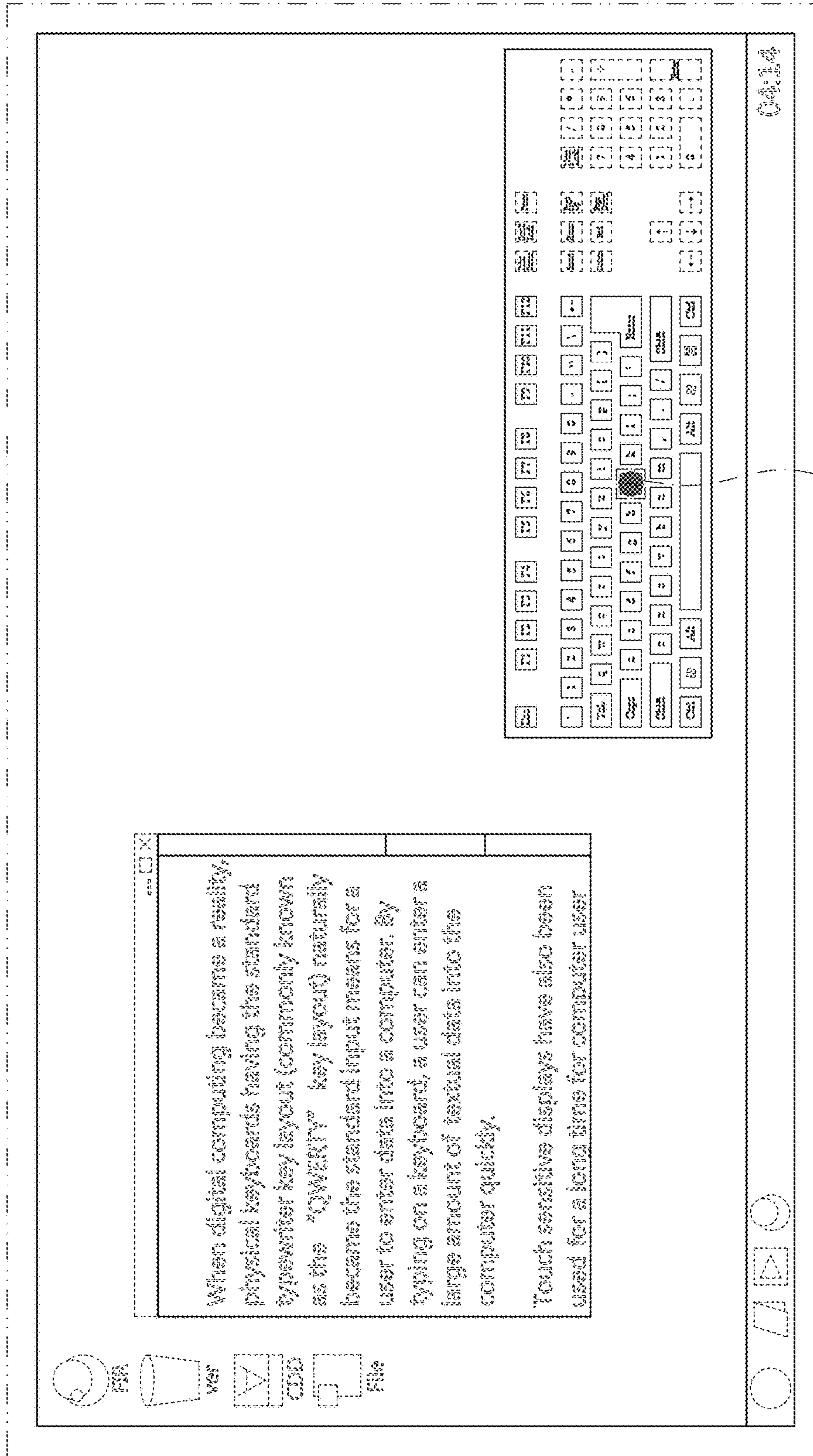
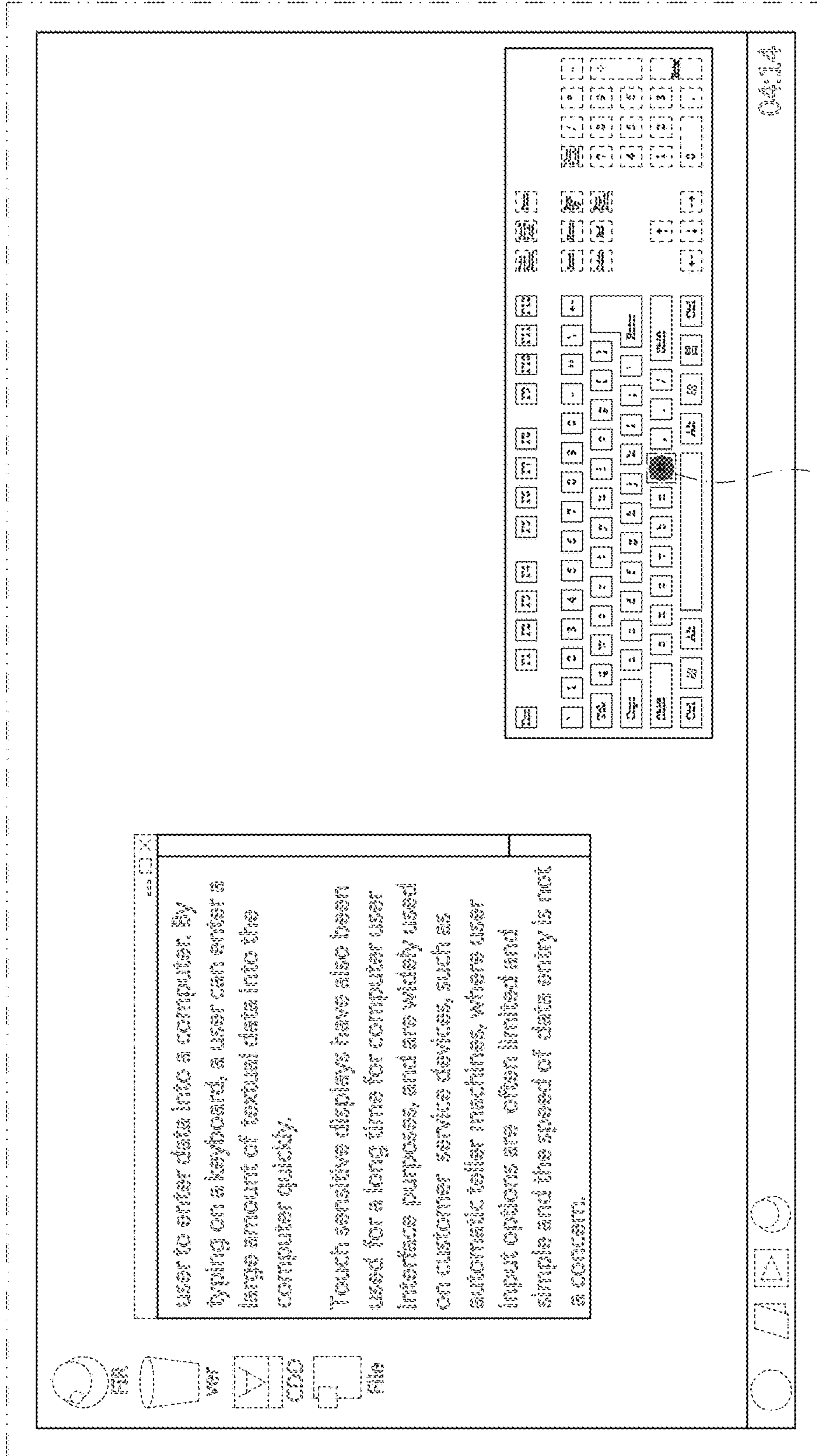


FIG.2



7





8

FIG.4

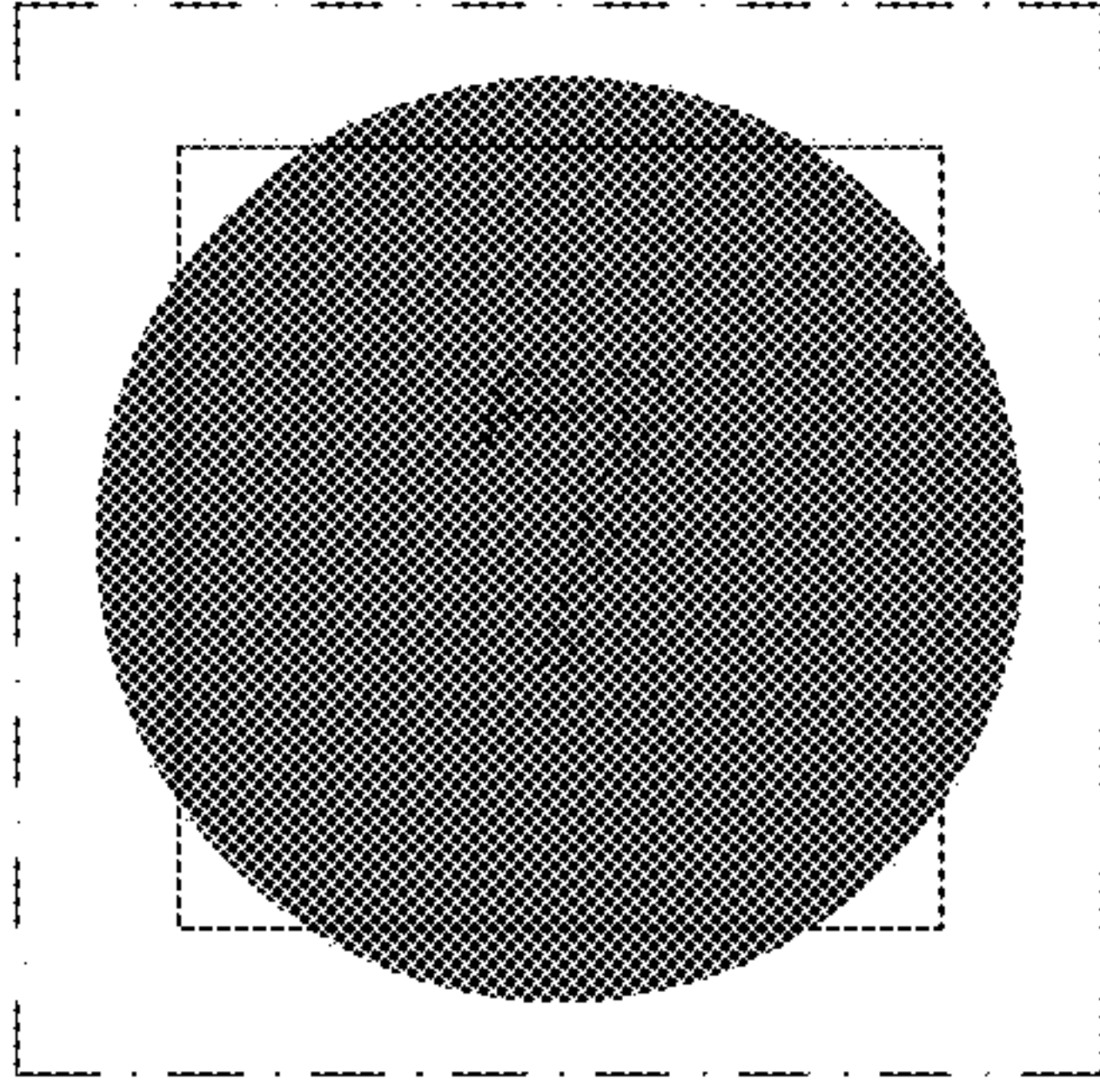


FIG. 5

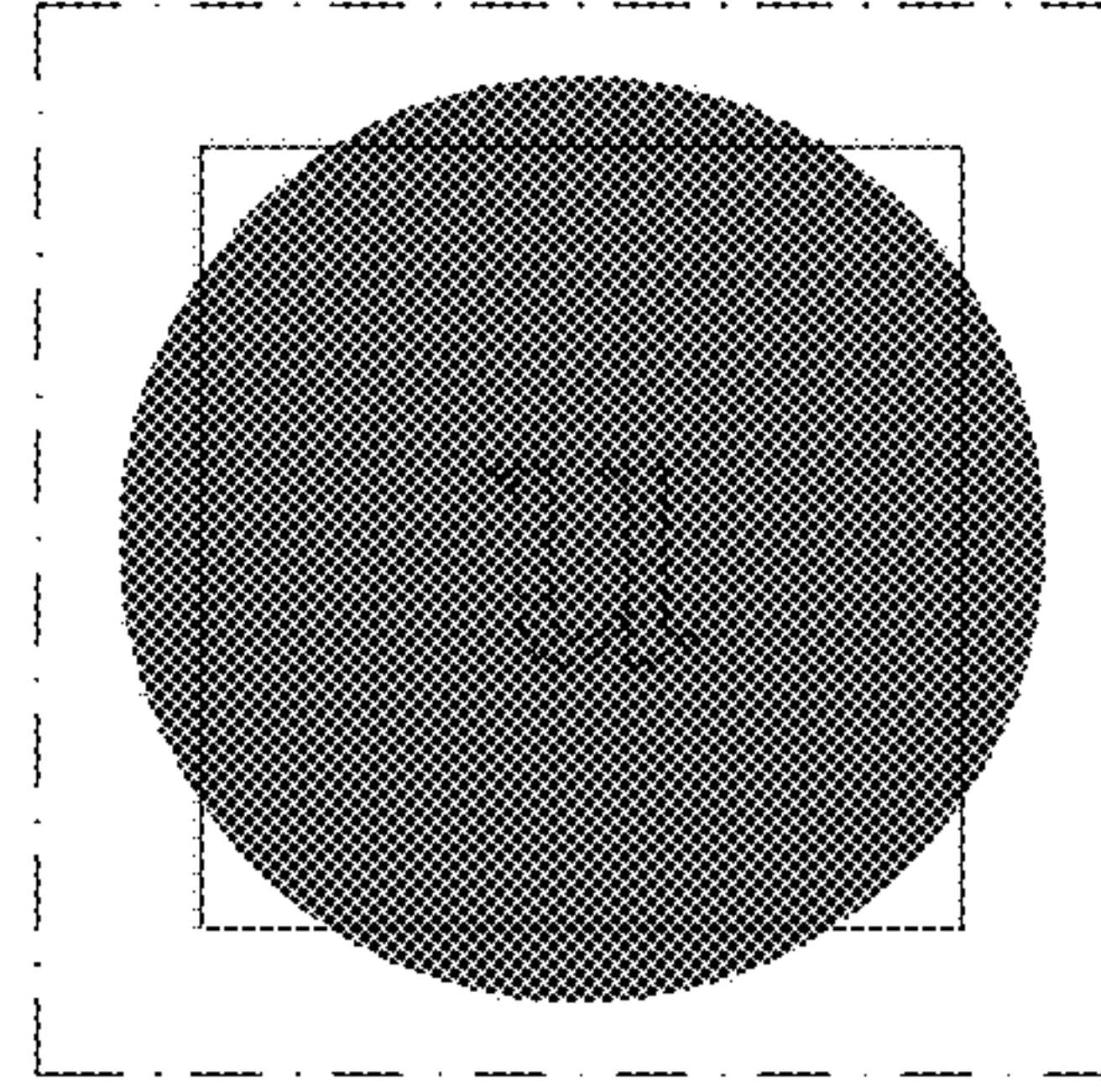


FIG. 6

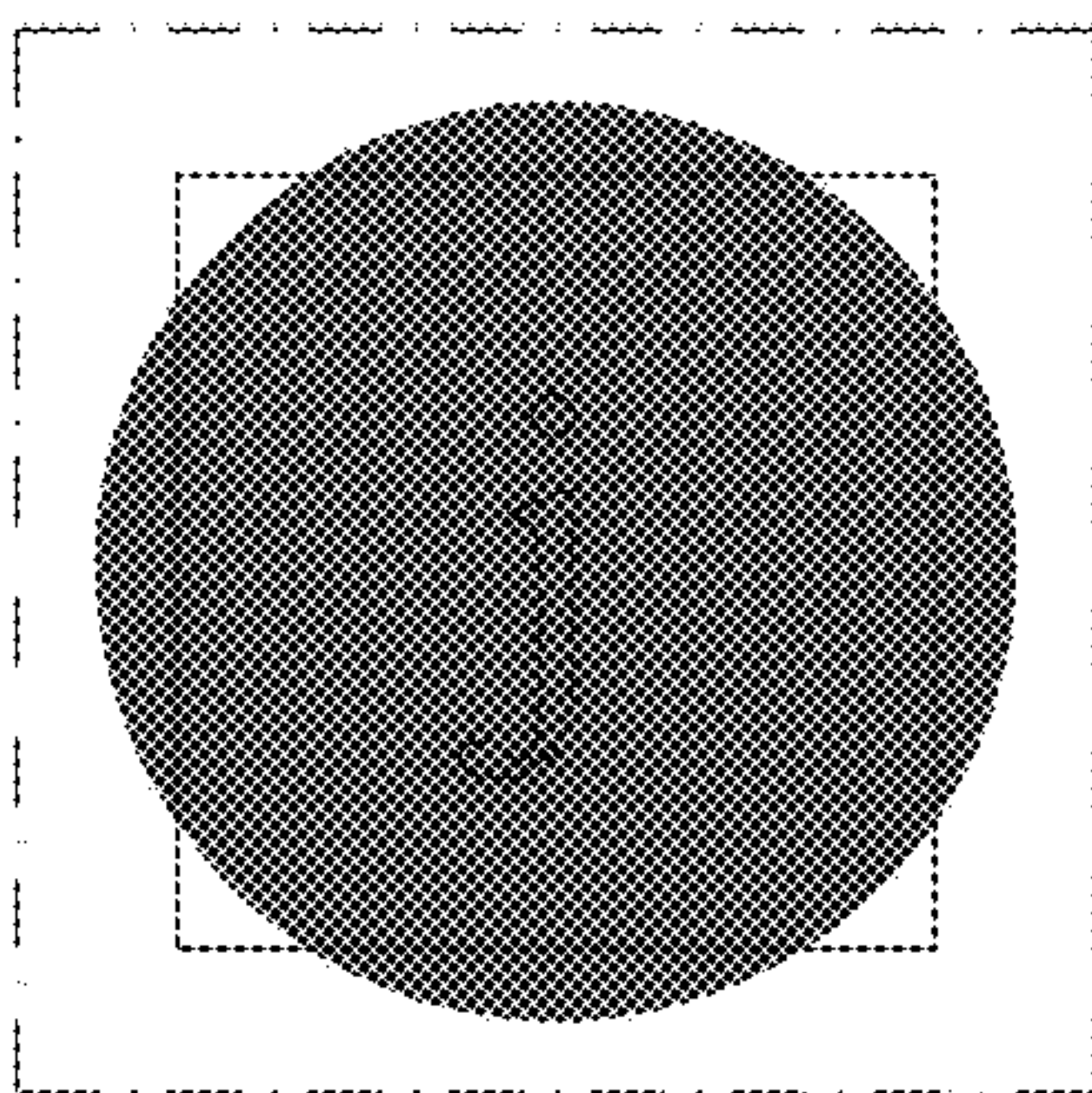


FIG. 7

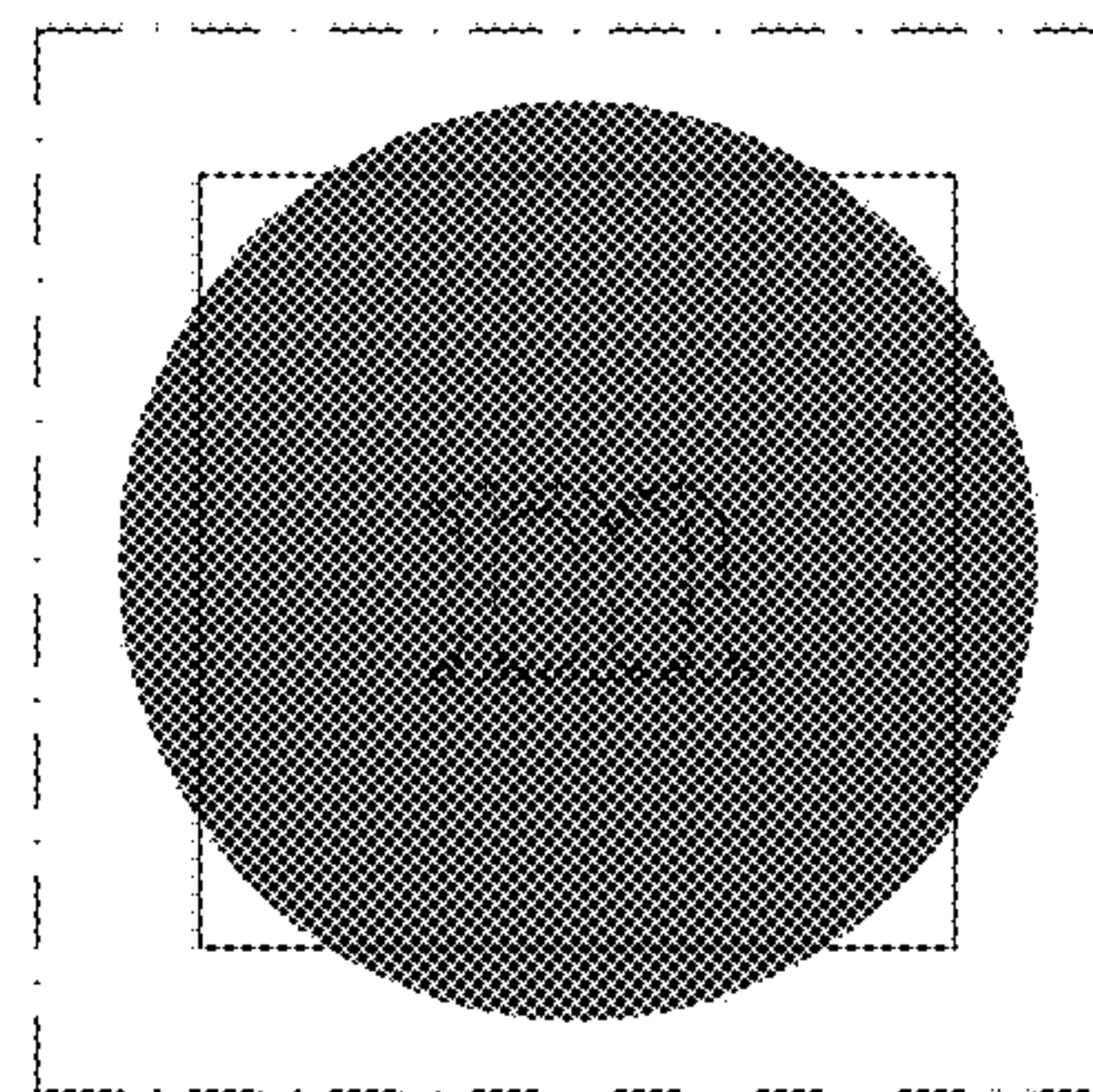


FIG. 8