



US00D820269S

(12) **United States Design Patent**  
**Peterson**

(10) **Patent No.:** **US D820,269 S**  
(45) **Date of Patent:** **\*\* Jun. 12, 2018**

(54) **COMBINATION MOUSE PAD AND LAPTOP WRAP**

(71) Applicant: **Clay Peterson**, Baton Rouge, LA (US)

(72) Inventor: **Clay Peterson**, Baton Rouge, LA (US)

(\*\*) Term: **15 Years**

(21) Appl. No.: **29/601,987**

(22) Filed: **Apr. 27, 2017**

(51) **LOC (11) Cl.** ..... **14-01**

(52) **U.S. Cl.**  
USPC ..... **D14/458**

(58) **Field of Classification Search**  
USPC ..... D14/440, 447, 454, 457-461; D3/218,  
D3/269, 276, 299, 303  
CPC ..... A45C 9/00; A45C 9/007; A45C 2011/001;  
A45C 2011/002; A45C 2011/003; G06F  
3/0395  
See application file for complete search history.

(56) **References Cited**

**U.S. PATENT DOCUMENTS**

767,898	A *	8/1904	Lamphier	.....	A45C 7/0036
					190/107
D339,604	S *	9/1993	Gerber-Phinny	.....	D19/3
D434,044	S *	11/2000	Parsons	.....	D14/458
6,604,618	B1 *	8/2003	Godshaw	.....	A45C 3/02
					190/1
6,871,739	B2 *	3/2005	Lopez	.....	A45C 7/0095
					190/107
D515,588	S *	2/2006	Kirkwood	.....	D14/440
D531,409	S *	11/2006	Tullmann	.....	D3/299
D596,855	S *	7/2009	Orion	.....	D3/263
D600,911	S *	9/2009	Orion	.....	D3/263
D609,006	S *	2/2010	Orion	.....	D3/263
D626,333	S *	11/2010	Orion	.....	D3/276
D660,592	S *	5/2012	Mecchella	.....	D3/299
D673,157	S *	12/2012	Lu	.....	D14/440
D675,436	S *	2/2013	Hsiao	.....	D3/299

D675,437	S *	2/2013	Hsiao	.....	D3/299
D675,438	S *	2/2013	Hsiao	.....	D3/299
D692,237	S *	10/2013	Chang	.....	D3/303
D694,012	S *	11/2013	Hyzdu	.....	D3/303
D769,880	S *	10/2016	Moore	.....	D14/440
D772,234	S *	11/2016	Massucco	.....	D14/440
D772,882	S *	11/2016	Paschke	.....	D14/440
D805,080	S *	12/2017	Lakraa	.....	D14/440
D805,519	S *	12/2017	Diebel	.....	D14/440
2005/0067319	A1 *	3/2005	Wei	.....	G06F 1/1613
					206/576
2010/0089778	A1 *	4/2010	Park	.....	A45C 7/0095
					206/320
2017/0112249	A1 *	4/2017	Peterson	.....	A45C 13/002

**OTHER PUBLICATIONS**

Cush Laptop Sleeve, <http://gadgetsin.com/cush-laptop-sleeve.htm>,  
retrieved Feb. 27, 2017.

\* cited by examiner

*Primary Examiner* — Deanna L Pratt

(74) *Attorney, Agent, or Firm* — John B. Edel; Edel  
Patents LLC

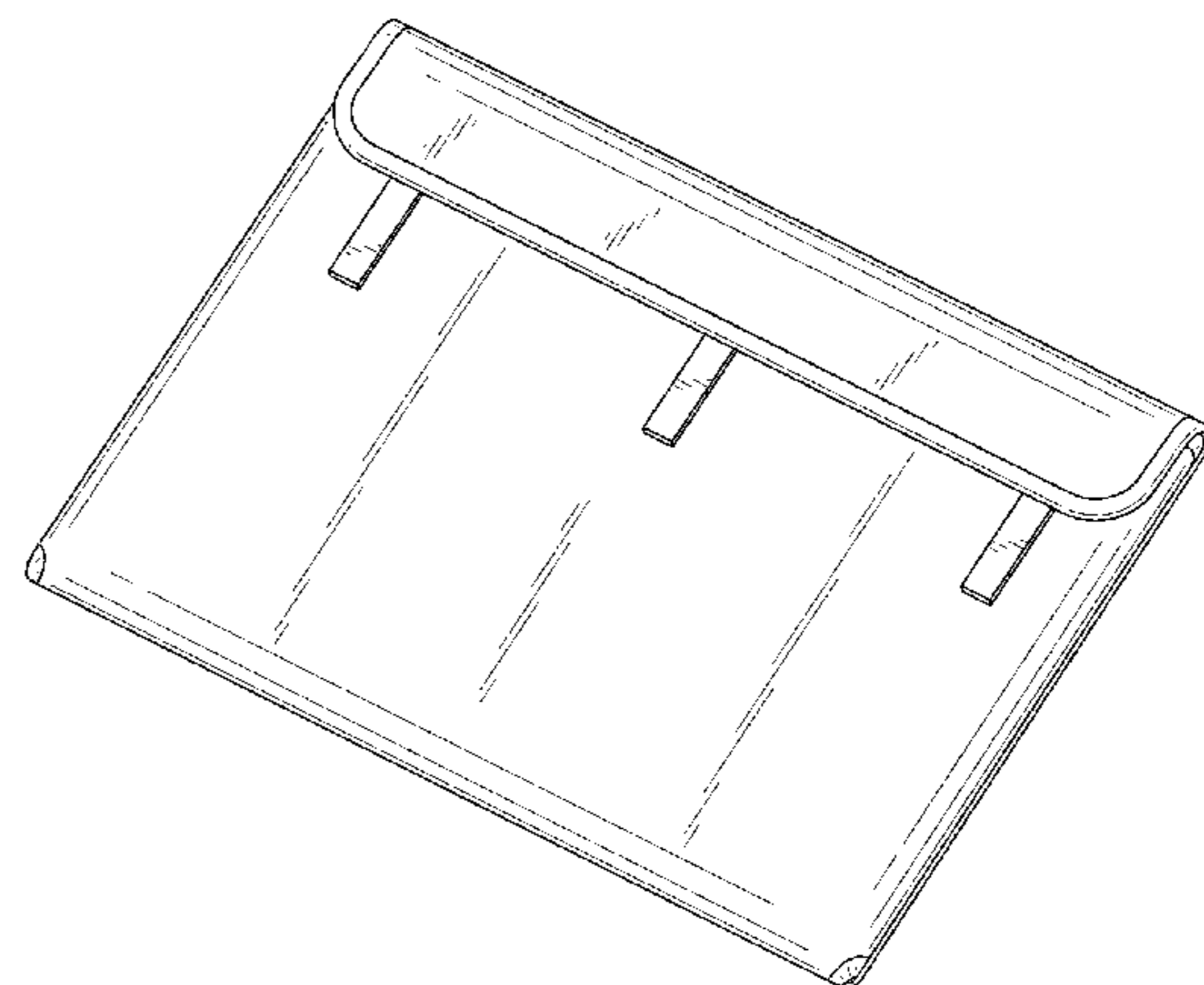
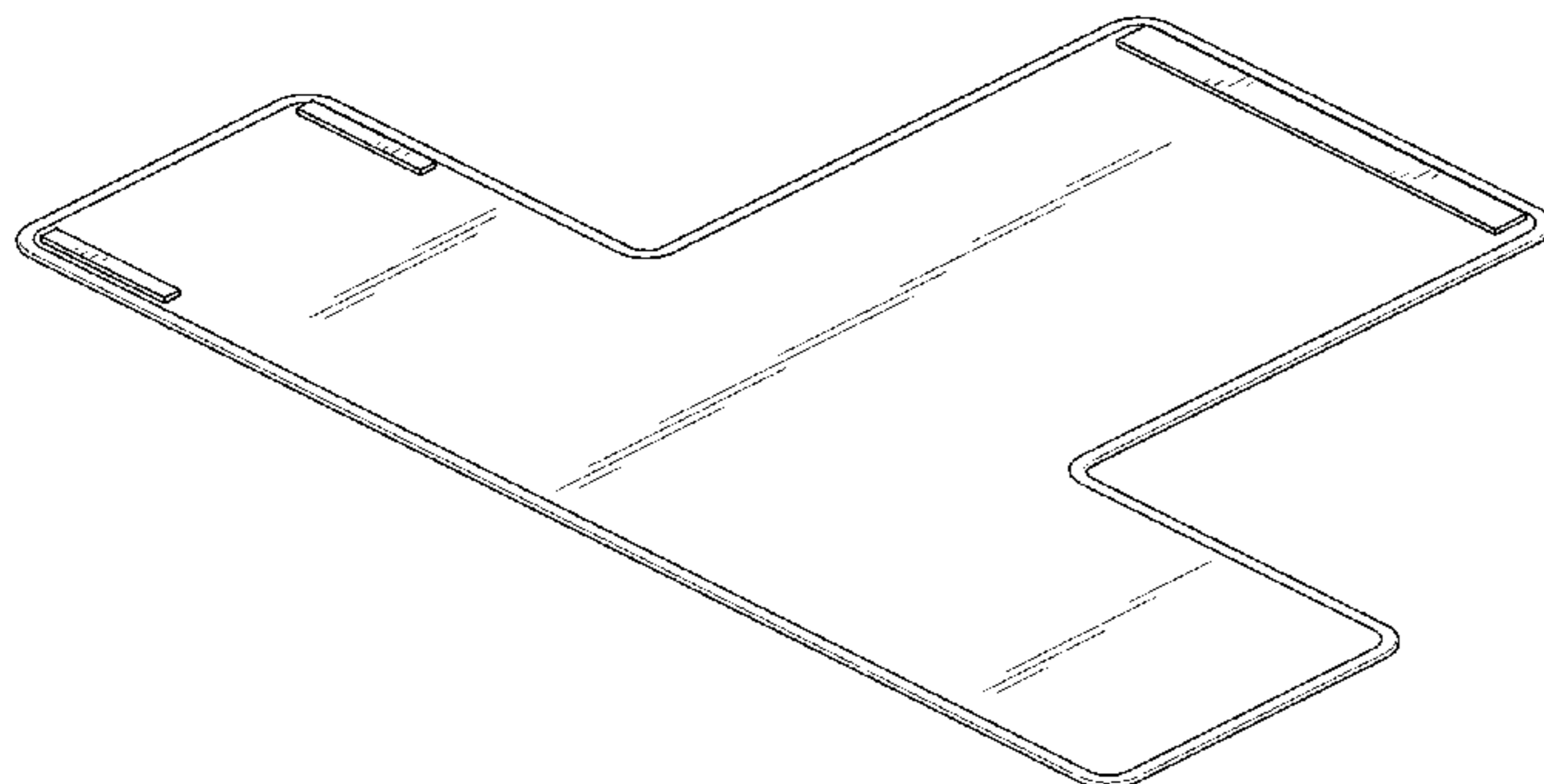
(57) **CLAIM**

The ornamental design for a combination mouse pad and  
laptop wrap, as shown and described.

**DESCRIPTION**

FIG. 1 is a perspective view of a combination mouse pad and  
laptop wrap showing my new design; and  
FIG. 2 is a front elevation view thereof.  
FIG. 3 is a rear elevation view thereof.  
FIG. 4 is a left elevation view thereof.  
FIG. 5 is a right elevation view thereof.  
FIG. 6 is a top plan view thereof.  
FIG. 7 is a bottom plan view thereof; and,  
FIG. 8 is a perspective view of a folded in use version of the  
design.

**1 Claim, 6 Drawing Sheets**



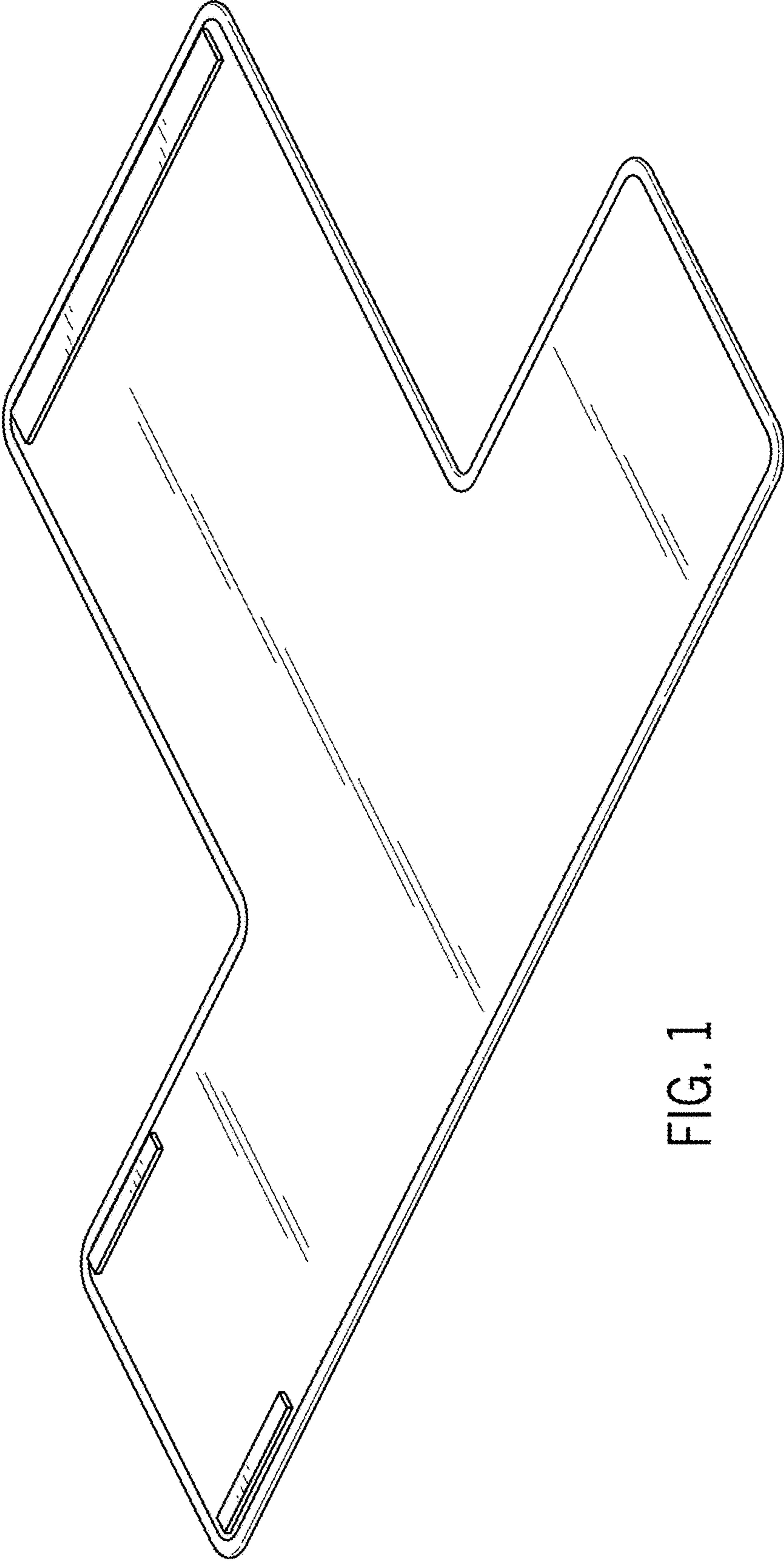


FIG. 1



FIG. 2



FIG. 3



FIG. 4



FIG. 5

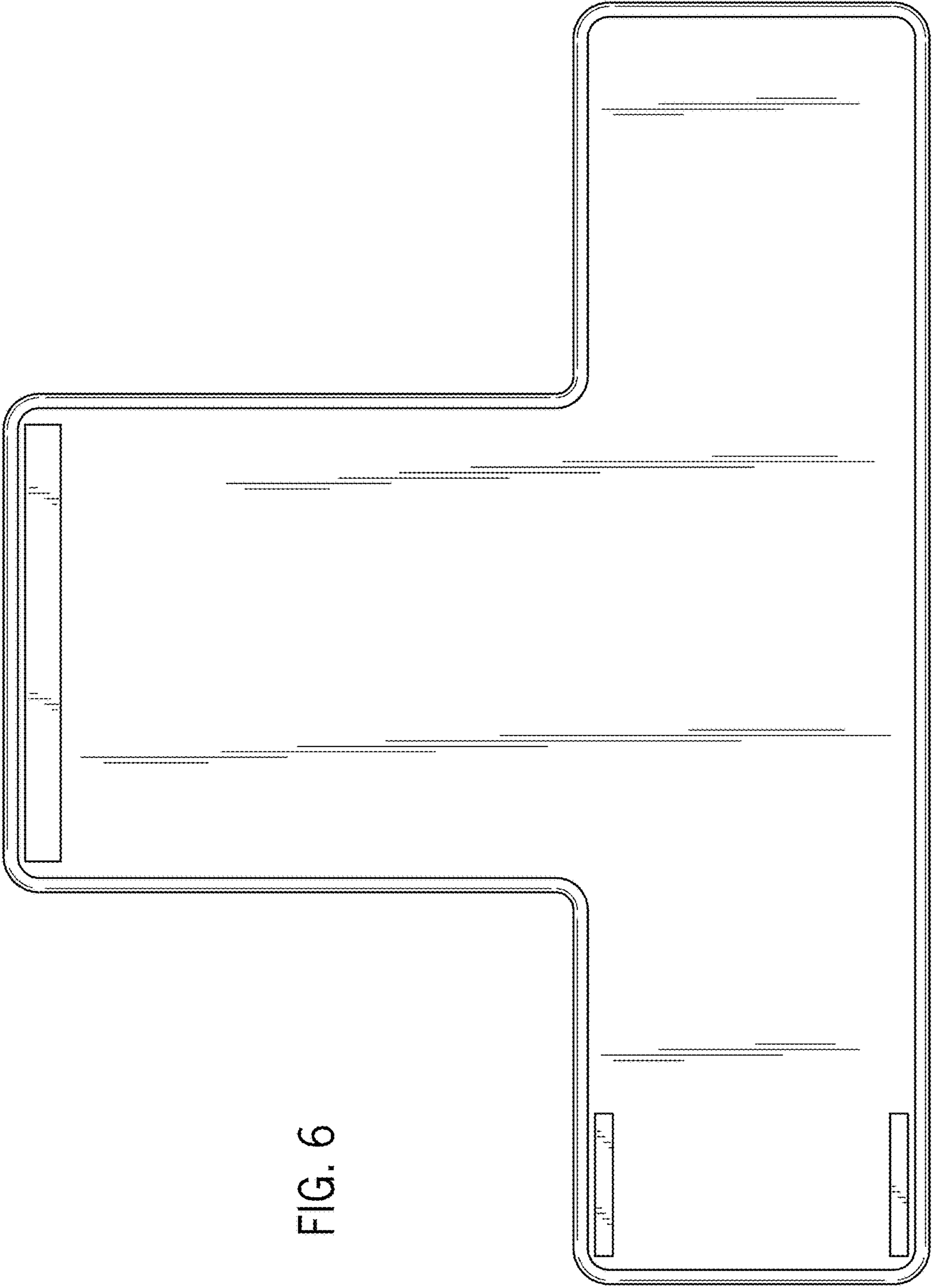


FIG. 6

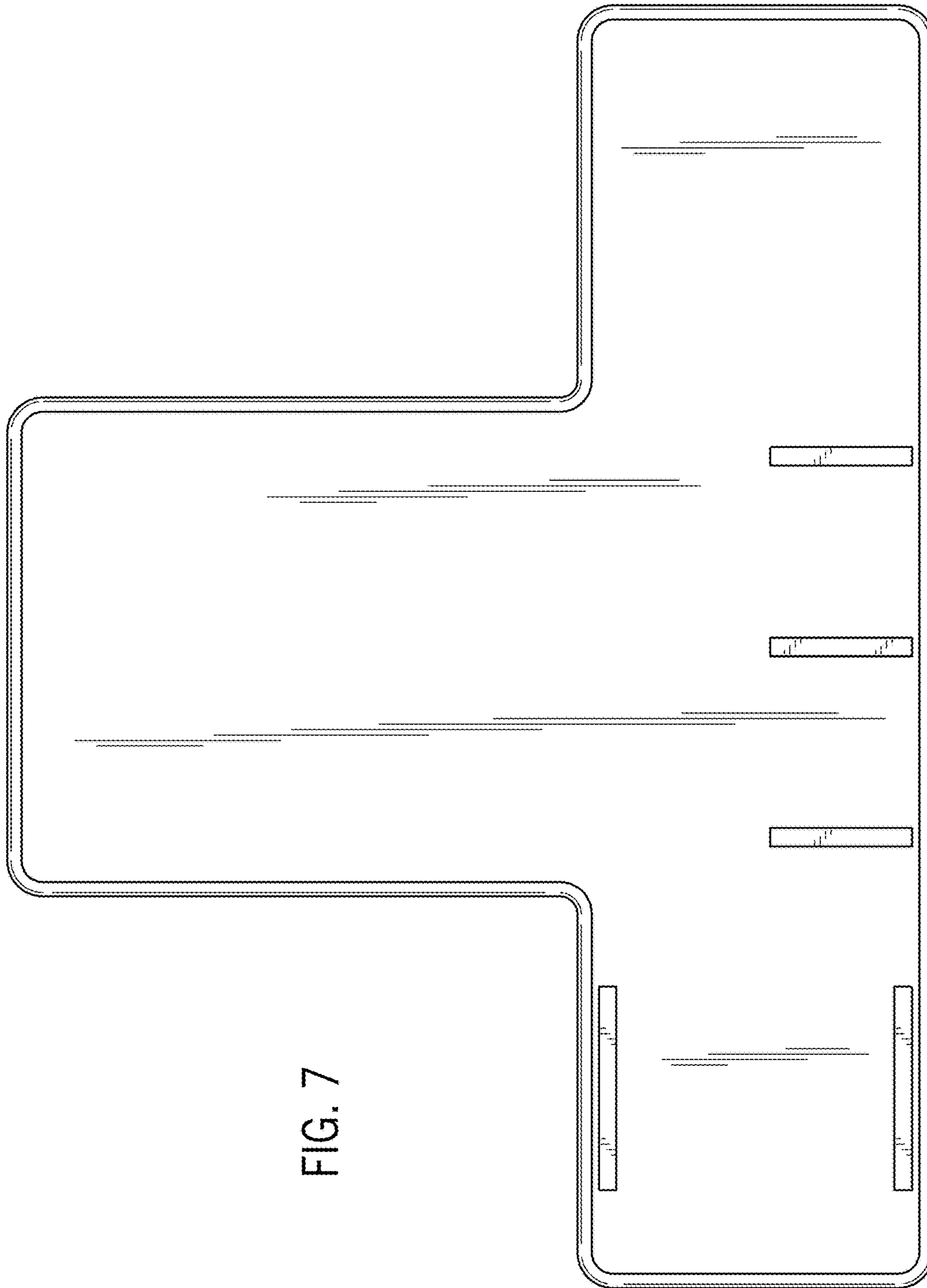


FIG. 7

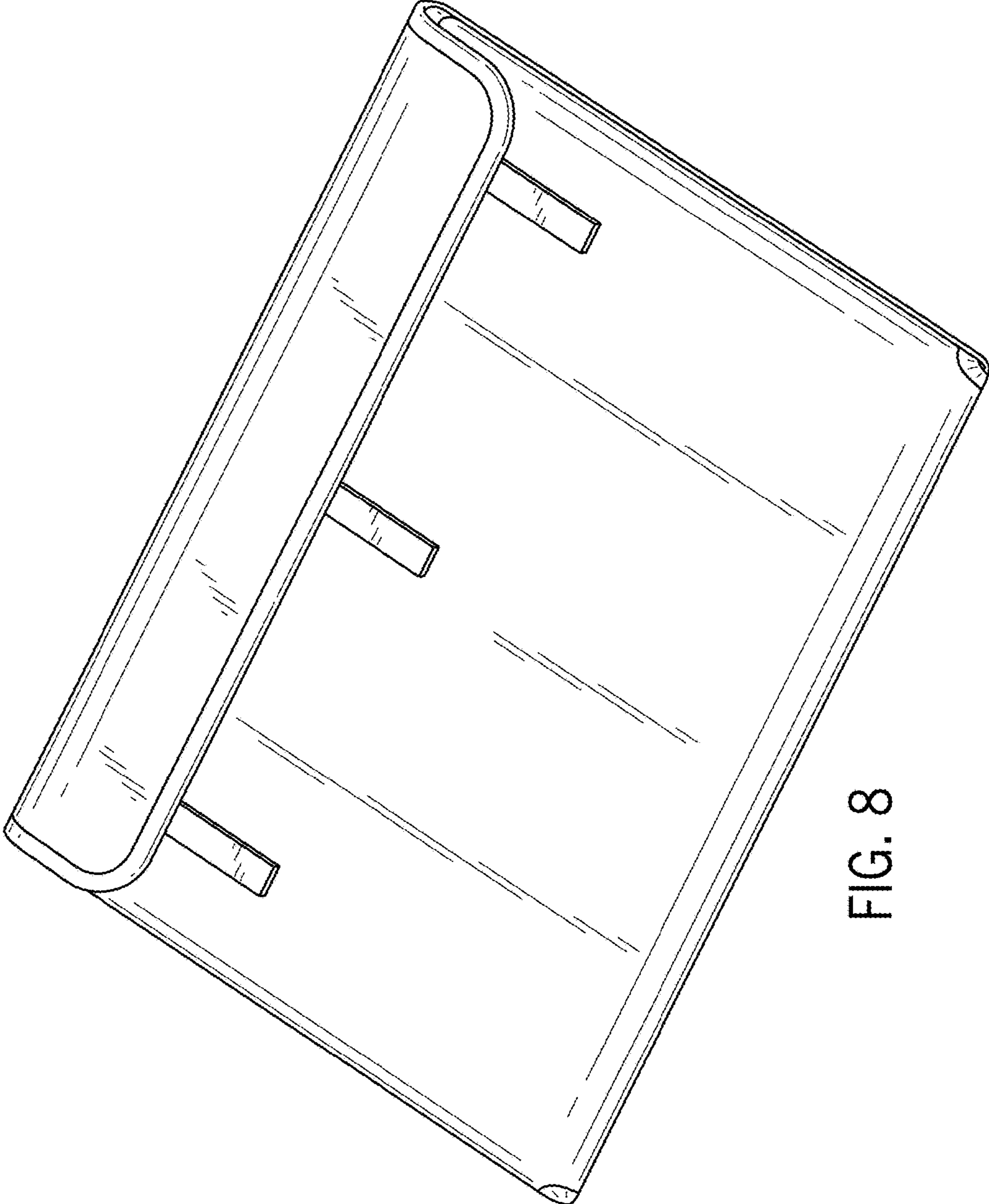


FIG. 8