



US00D820268S

(12) **United States Design Patent** (10) **Patent No.:** **US D820,268 S**  
**Ho** (45) **Date of Patent:** **\*\* Jun. 12, 2018**

(54) **KEYBOARD TRAY**

(71) Applicant: **Aidata Corp. Ltd.**, New Taipei (TW)

(72) Inventor: **Chi-Pei Ho**, New Taipei (TW)

(73) Assignee: **Aidata Corp. Ltd.**, New Taipei (TW)

(\*\*) Term: **15 Years**

(21) Appl. No.: **29/598,983**

(22) Filed: **Mar. 30, 2017**

(51) **LOC (11) Cl.** ..... **14-02**

(52) **U.S. Cl.**

USPC ..... **D14/457**

(58) **Field of Classification Search**

USPC ..... D14/138, 247, 341-346, 391-399, 434, D14/451, 455-457, 447; D18/1, 2, 7, 11, D18/4.1-4.6, 24-28; 178/17 A, 17 C; 200/5 A, 5 R, 6 A, 6 R, 341; 235/145 A, 235/145 R; 341/22, 23; 345/160, 168, 345/169; 361/679.08, 679.09, 679.11, 361/679.12; 400/484-489, 492, 682; 455/418, 550.1, 556.2, 575.1, 575.3, 455/575.4

CPC ..... H03M 11/00; H01H 13/14; H01H 13/84; B41J 5/00; B41J 5/12; B41J 5/10; H03K 17/94; G06F 1/1626; G06F 1/1632; G06F 1/1616; G06F 3/0221; A47B 23/043; A47B 23/001; A47B 2023/049; A47B 97/08; A47B 23/002; A47B 23/00; A47B 83/02; A47C 7/70; B44D 3/02

See application file for complete search history.

(56) **References Cited**

U.S. PATENT DOCUMENTS

D288,097 S *	2/1987	Harter .....	D14/457
5,490,466 A *	2/1996	Diffrient .....	A47B 21/0314 108/138
D437,857 S *	2/2001	Cooper .....	D14/455
D451,100 S *	11/2001	Brillhart .....	D14/457
8,061,668 B1 *	11/2011	Cvek .....	A47B 21/0371 248/118
D688,675 S *	8/2013	Vroom .....	D14/457
2002/0166927 A1 *	11/2002	Kollar .....	A47B 21/0371 248/118.1
2004/0262477 A1 *	12/2004	Whitaker .....	A47B 21/0314 248/284.1

\* cited by examiner

*Primary Examiner* — Freda S Nunn

(74) *Attorney, Agent, or Firm* — Alan D. Kamrath; Kamrath IP Lawfirm, P.A.

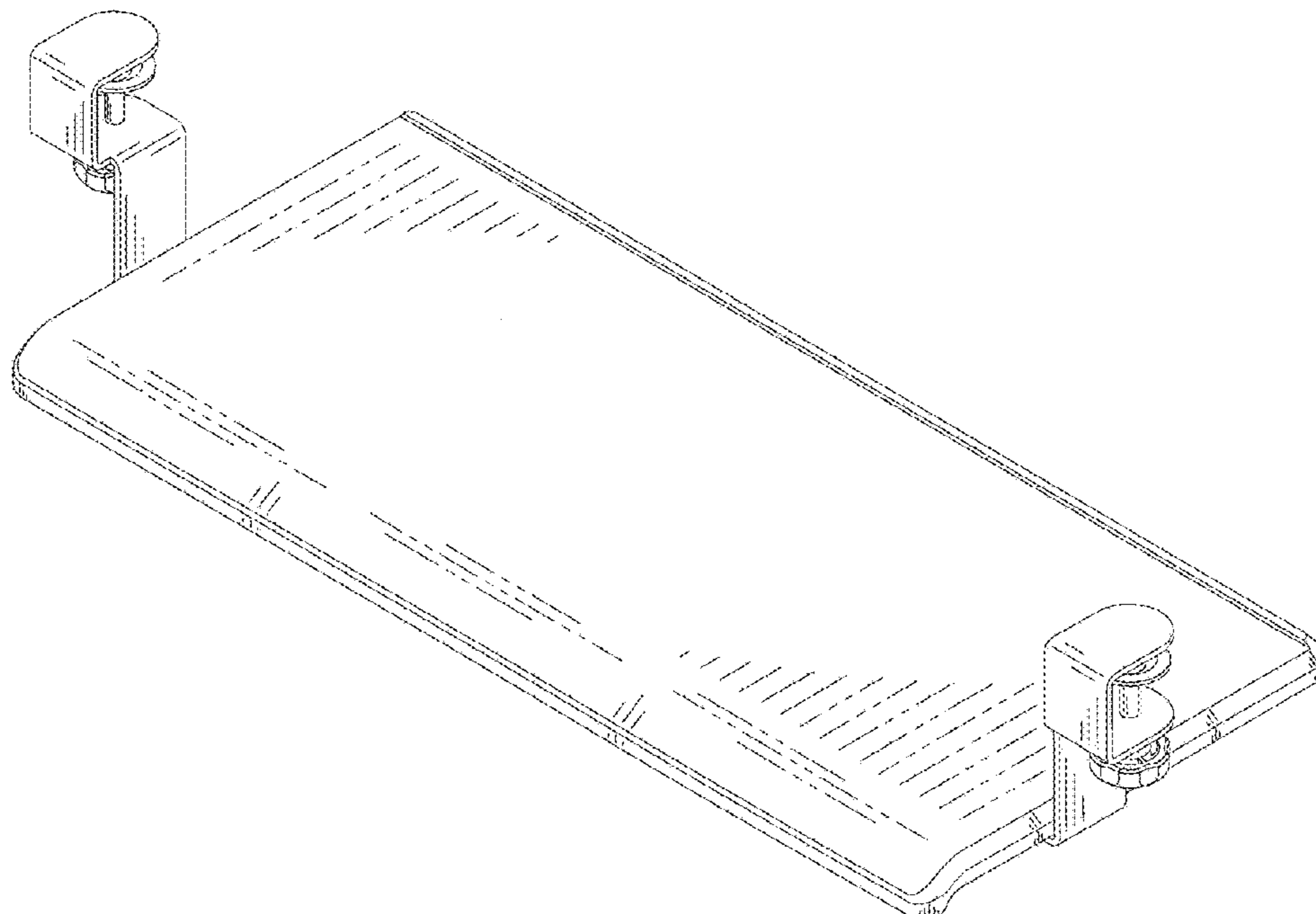
(57) **CLAIM**

The ornamental design for a keyboard tray, as shown and described.

**DESCRIPTION**

FIG. 1 is a perspective view of a keyboard tray showing my design;  
FIG. 2 is a front elevational view thereof;  
FIG. 3 is a rear elevational view thereof;  
FIG. 4 is a left side elevational view thereof;  
FIG. 5 is a right side elevational view thereof;  
FIG. 6 is a top plan view thereof;  
FIG. 7 is a bottom plan view thereof; and,  
FIG. 8 is a bottom perspective view thereof.

**1 Claim, 7 Drawing Sheets**



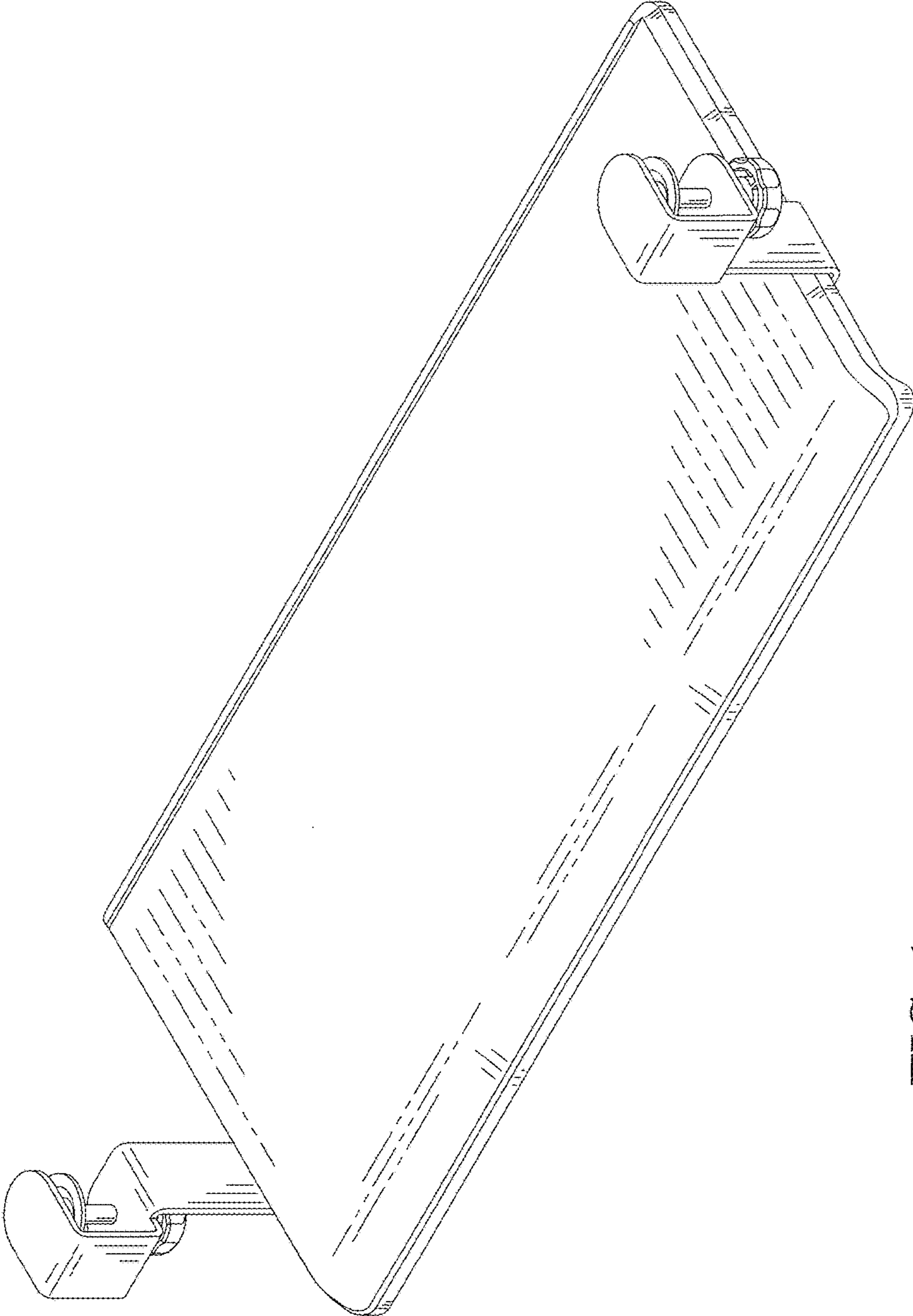


FIG. 1

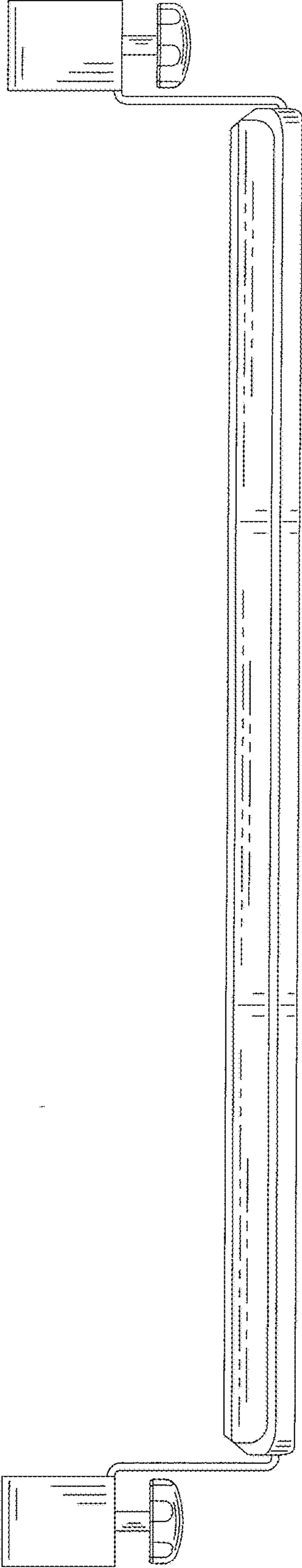


FIG. 2

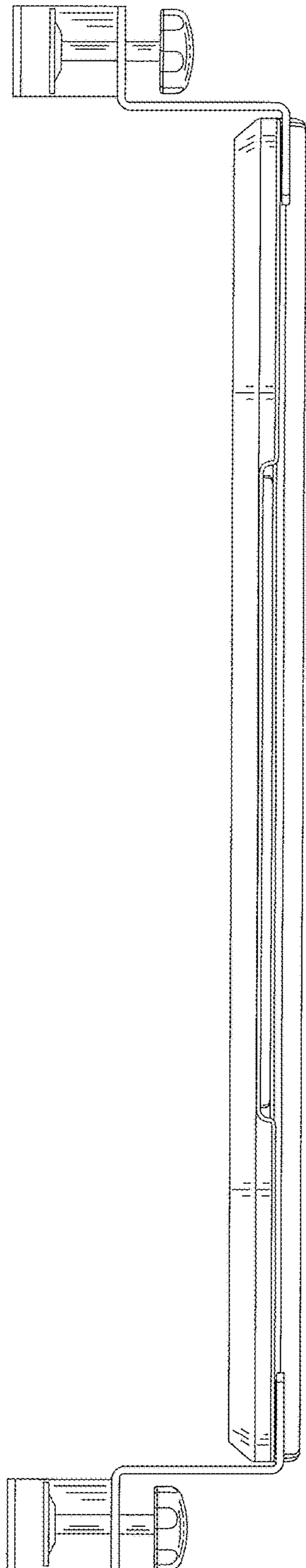


FIG. 3

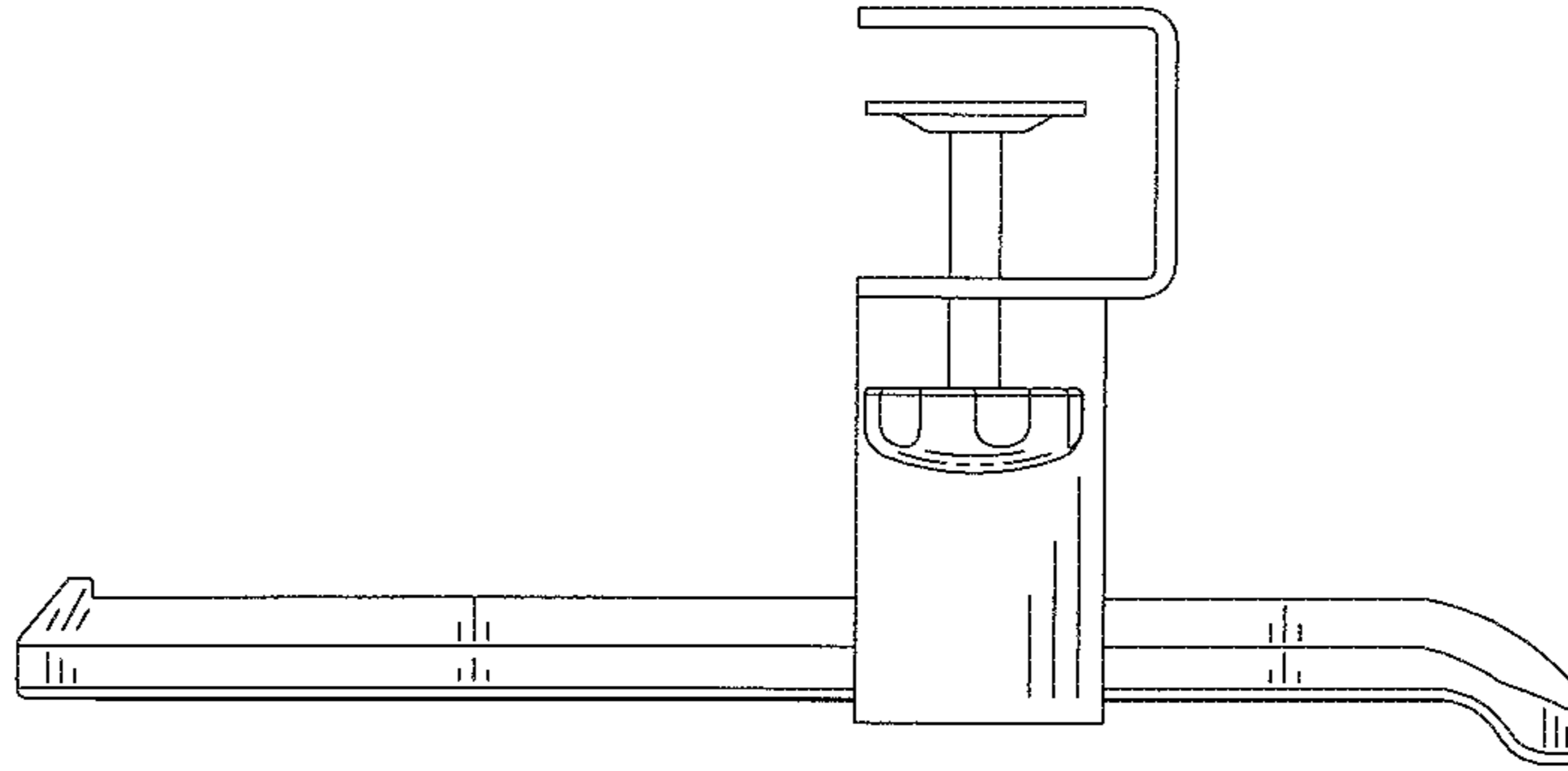


FIG. 4

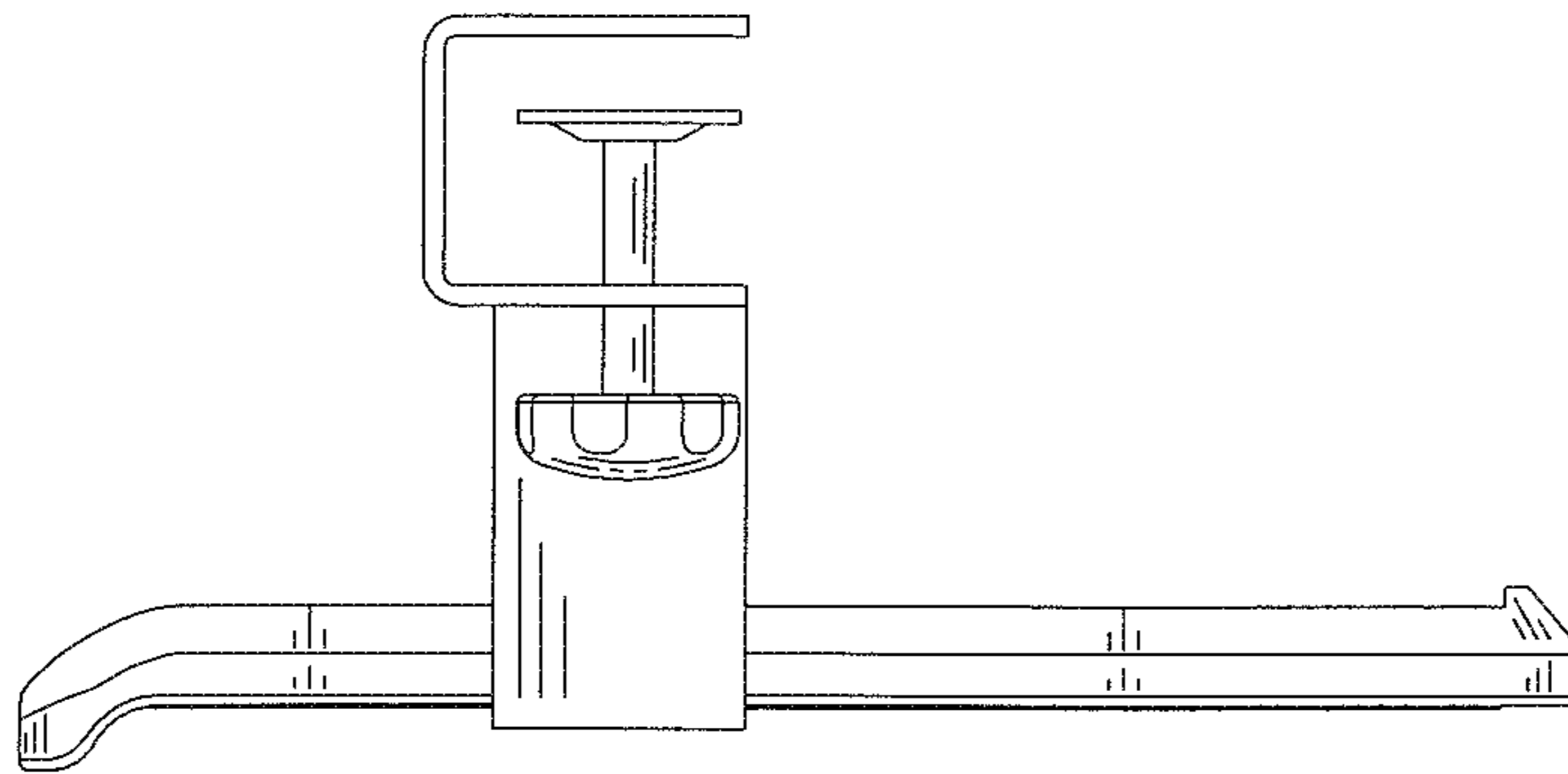


FIG. 5

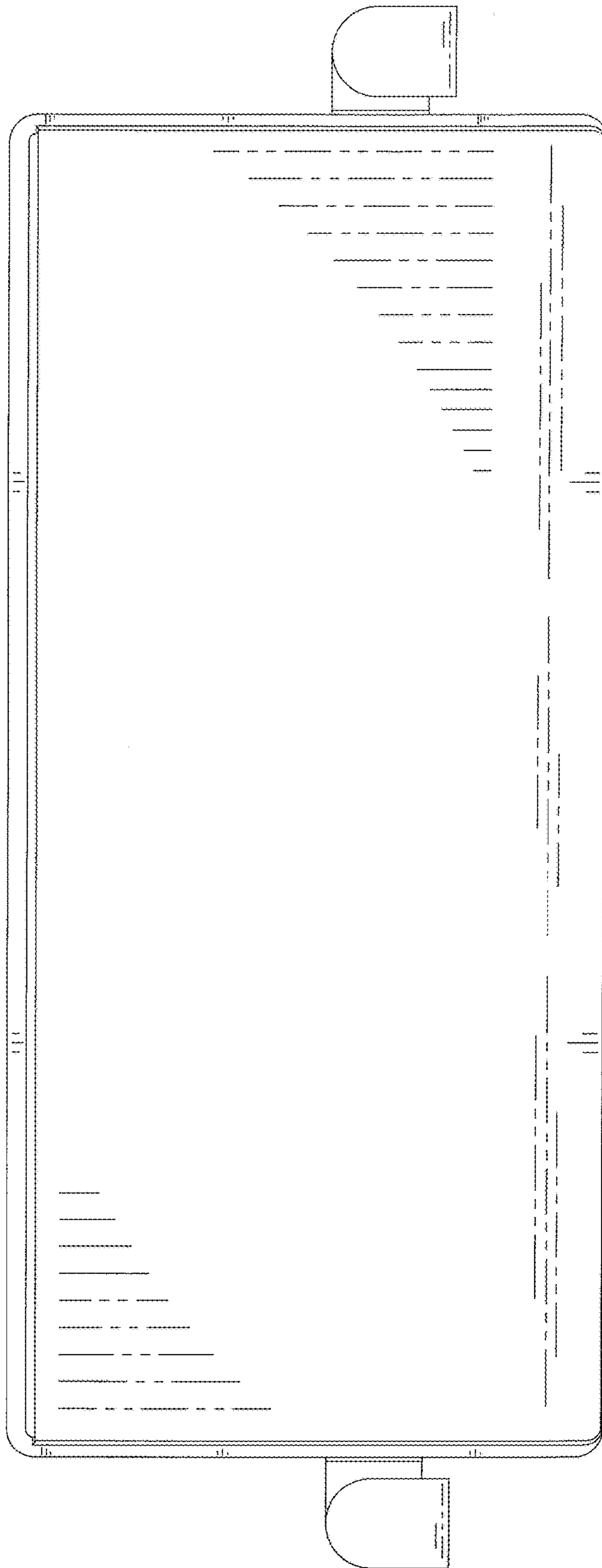


FIG. 6



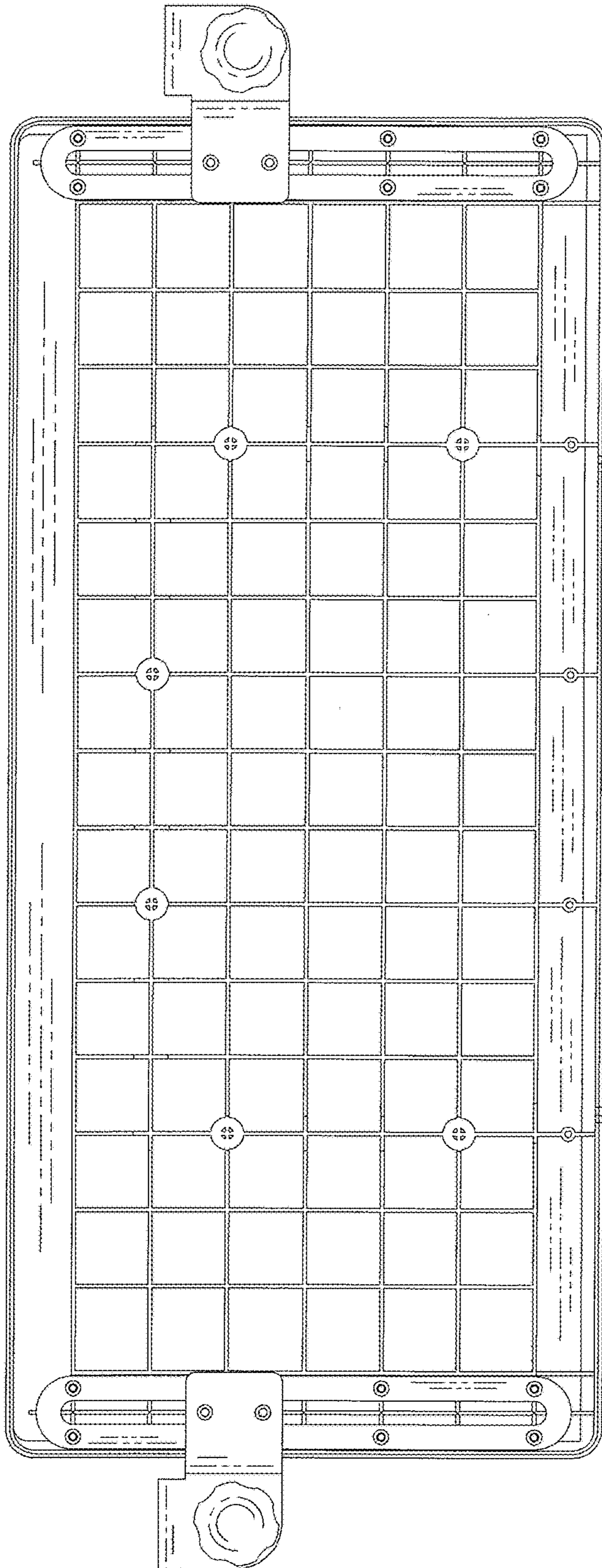


FIG. 7

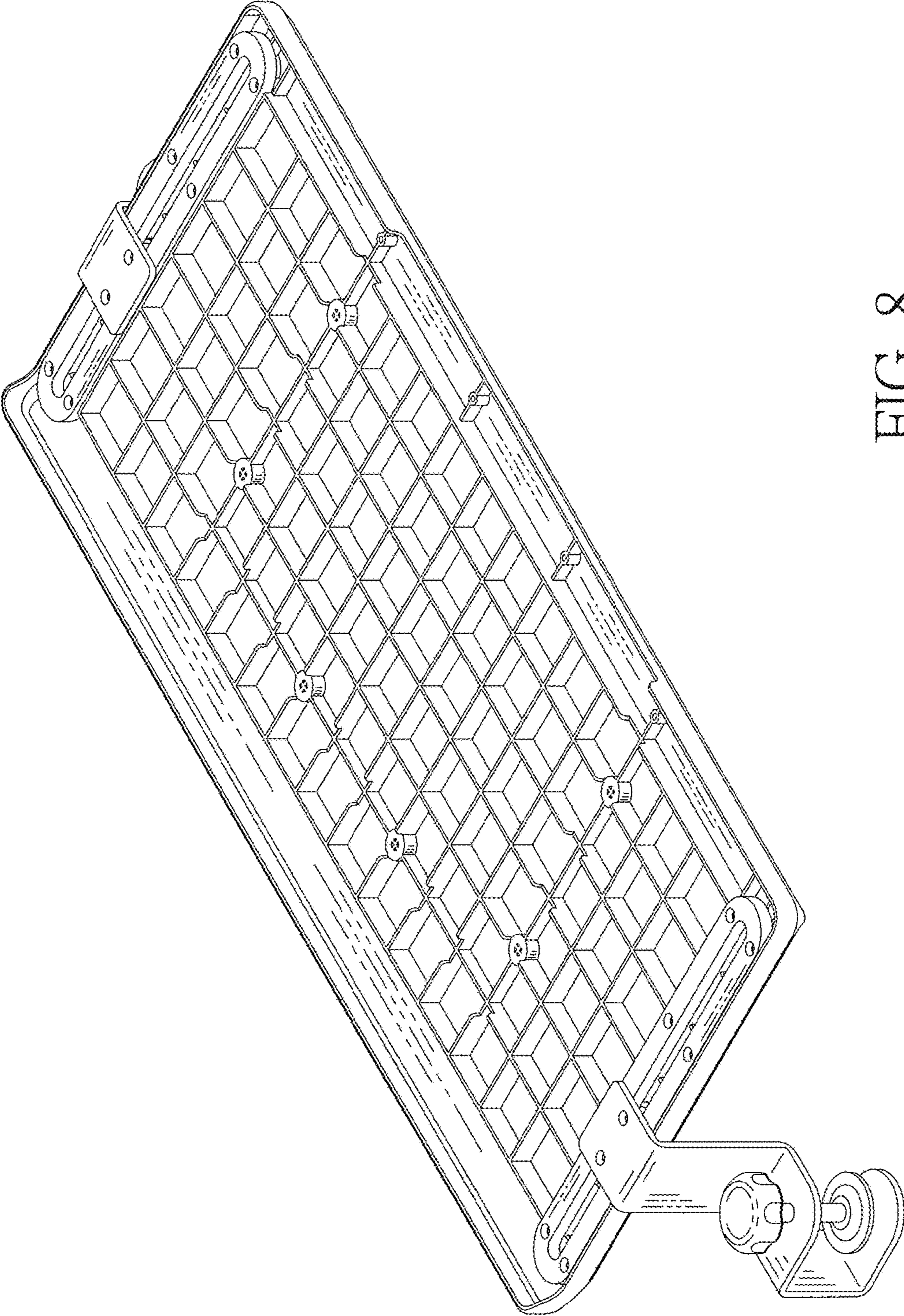


FIG. 8